



The following document contains information on Cypress products. The document has the ordering part numbering with the prefix “S”. Cypress will offer these products to new and existing customers with the updated ordering part number (updated last digit).

### **How to Check the Ordering Part Number**

1. Go to [www.cypress.com/pcn](http://www.cypress.com/pcn).
2. Enter the keyword (for example, ordering part number) in the **SEARCH PCNS** field and click **Apply**.
3. Click the corresponding title from the search results.
4. Download the Affected Parts List file, which has details of all changes

### **For More Information**

Please contact your local sales office for additional information about Cypress products and solutions.

### **About Cypress**

Cypress is the leader in advanced embedded system solutions for the world's most innovative automotive, industrial, smart home appliances, consumer electronics and medical products. Cypress' microcontrollers, analog ICs, wireless and USB-based connectivity solutions and reliable, high-performance memories help engineers design differentiated products and get them to market first. Cypress is committed to providing customers with the best support and development resources on the planet enabling them to disrupt markets by creating new product categories in record time. To learn more, go to [www.cypress.com](http://www.cypress.com).

Devices in the S6E2D3 Series are highly integrated 32-bit microcontrollers with high performance and competitive cost. This series is based on the ARM Cortex-M4F Processor with on-chip Flash memory and SRAM. The series has peripheral functions such as graphics engine, display controller, motor control timers, ADCs, and Communication Interfaces (USB, UART, CSIO, I<sup>2</sup>C, LIN). The products that are described in this data sheet are TYPE4-M4 category products. See the FM4 Family Peripheral Manual Main Part (002-04856).

## Features

### 32-bit ARM Cortex-M4F Core

- Processor version: r0p1
- Up to 160 MHz frequency operation
- Built-in FPU
- Supports DSP instructions
- Memory Protection Unit (MPU): improves the reliability of an embedded system
- Integrated Nested Vectored Interrupt Controller (NVIC): 1 NMI (non-maskable interrupt) and 128 peripheral interrupts and 16 priority levels
- 24-bit system timer (Sys Tick): System timer for OS task management

### On-Chip Memories

#### ■ Flash memory

This series has on-chip flash memory with these features:

- 384 Kbytes
- Built-in Flash Accelerator System with 16 Kbytes trace buffer memory
- Security function for code protection
- Notes:
  - The read access to flash memory can be achieved without wait-cycle up to operation frequency of 72 MHz.
  - Even at the operation frequency more than 72 MHz, an equivalent access to flash memory can be obtained by Flash Accelerator System.

#### ■ SRAM

This is composed of two independent SRAMs (SRAM0 and SRAM2). SRAM0 is connected to I-code bus and D-code bus of Cortex-M4F core. SRAM2 is connected to the system bus of Cortex-M4F core.

- SRAM0: 32 Kbytes
- SRAM2: 4 Kbytes

#### ■ VRAM

This series is equipped with a SRAM for GDC.

- Max 512 Kbytes

#### ■ VFLASH

S6E2D35GJA is equipped with a Flash for GDC.

- 2 Mbytes

### External Bus Interface

- Supports SRAM, NOR, NAND Flash and SDRAM devices
- Up to two chip selects CS0 and CS8 (CS8 is only for SDRAM)
- 8-/16-bit data width
- Up to 25-bit address bit
- Maximum area size : Up to 256 Mbytes
- Supports address/data multiplexing
- Supports external RDY function
- Supports the scramble function
  - Possible to set the validity/invalidity of the scramble function for the external areas 0x6000\_0000 to 0x7FFF\_FFFF in 4 Mbytes units.
  - Possible to set two kinds of the scramble key.
  - Note: It is necessary to prepare the dedicated software library to use the scramble function.

### USB Interface (One channel)

A USB interface is composed of device and host.

#### ■ USB device

- USB2.0 Full-Speed supported
- Max 6 EndPoint supported
  - EndPoint 0 is for control transfer
  - EndPoint 1, 2 can be selected for bulk-transfer, interrupt-transfer or isochronous-transfer
  - EndPoint 3 to 5 can select bulk-transfer or interrupt-transfer
- EndPoint 1 to 5 comprise the double buffer
- The size of each endpoint is as follows.
  - Endpoint 0, 2 to 5: 64 bytes
  - EndPoint 1: 256 bytes

#### ■ USB host

- USB2.0 Full-Speed / Low-Speed supported
- Bulk-transfer, interrupt-transfer and isochronous-transfer support
- USB device connected/disconnected automatically detect
- In/out token handshake packet automatically accepted
- Max 256-byte packet-length supported
- Wake-up function supported

**Multi-function Serial Interface (Max eight channels)**

- 64 bytes with FIFO (the FIFO step numbers vary depending on the settings of the communication mode or bit length.)
- Operation mode is selectable from the following for each channel.
  - UART
  - CSIO
  - LIN
  - I<sup>2</sup>C
- UART
  - Full-duplex double buffer
  - Selection with or without parity supported
  - Built-in dedicated baud rate generator
  - External clock available as a serial clock
  - Various error detect functions available (parity errors, framing errors, and overrun errors)
- CSIO
  - Full-duplex double buffer
  - Built-in dedicated baud rate generator
  - Overrun error detect function available
  - Serial chip select function (ch.6 and ch.7 only)
  - Supports High-speed SPI (ch.6 only)
  - Data length 5 to 16-bit
- LIN
  - LIN protocol Rev.2.1 supported
  - Full-duplex double buffer
  - Master/Slave mode supported
  - LIN break field generation (can change to 13 to 16-bit length)
  - LIN break delimiter generation (can change to 1 to 4-bit length)
  - Various error detect functions available (parity errors, framing errors, and overrun errors)
- I<sup>2</sup>C
  - Standard mode (Max 100 kbps) / Fast mode (Max 400 kbps) supported
  - Fast mode Plus (Fm+) (Max 1000 kbps, only for ch.4=ch.A) supported

**DMA Controller (Eight channels)**

The DMA controller has an independent bus for the CPU, so the CPU and the DMA controller can process simultaneously.

- 8 independently configured and operated channels
- Transfer can be started by software or requested from the built-in peripherals
- Transfer address area: 32-bit (4 Gbytes)
- Transfer mode: Block transfer/Burst transfer/Demand transfer
- Transfer data type: bytes/half-word/word
- Transfer block count: 1 to 16
- Number of transfers: 1 to 65536

**DSTC (Descriptor System Data Transfer Controller) (128 channels)**

The DSTC can transfer data at high-speed without going via the CPU. The DSTC adopts the descriptor system and, following the specified contents of the descriptor that has already been constructed on the memory, can directly access the memory/peripheral device and performs the data transfer operation.

It supports the software activation, the hardware activation, and the chain activation functions.

**A/D Converter (Max 24 channels)**

- 12-bit A/D Converter
  - Successive Approximation type
  - Built-in 2 units
  - Conversion time: 1.0 μs @ 3.3 V
  - Priority conversion available (priority at two levels)
  - Scanning conversion mode
  - Built-in FIFO for conversion data storage (for SCAN conversion: 16 steps, for priority conversion: four steps)

**Base Timer (Max eight channels)**

Operation mode is selectable from the followings for each channel.

- 16-bit PWM timer
- 16-bit PPG timer
- 16-/32-bit reload timer
- 16-/32-bit PWC timer

**General-Purpose I/O Port**

This series can use its pins as general-purpose I/O ports when they are not used for external bus or peripherals. Moreover, the port relocate function is built in. It can set to which I/O port the peripheral function can be allocated.

- Capable of pull-up control per pin
- Capable of reading pin level directly
- Built-in port relocate function
- Up to 98 general-purpose I/O ports @ 120-pin package
- Some I/O pins are 5V tolerant.  
See "4. Pin Descriptions" and "5. I/O Circuit Type" for the corresponding pins.

**Multi-Function Timer (One unit)**

The multi-function timer is composed of the following blocks.

Minimum resolution : 6.25 ns

- 16-bit free-run timer × 3ch.
- Input capture × 4ch.
- Output compare × 6ch.
- A/D activation compare × 6ch.
- Waveform generator × 3ch.
- 16-bit PPG timer × 3ch.

The following functions can be used to achieve motor control.

- PWM signal output function
- DC chopper waveform output function
- Dead time function
- Input capture function
- A/D converter activate function
- DTIF (motor emergency stop) interrupt function

### Real-Time Clock (RTC)

The real-time clock can count Year/Month/Day/Hour/Minute/Second/A day of the week from 00 to 99.

- Interrupt function with specifying date and time (Year/Month/Day/Hour/Minute) is available. This function is also available by specifying only Year, Month, Day, Hour or Minute.
- Timer interrupt function after set time or each set time.
- Capable of rewriting the time with continuing the time count.
- Leap year automatic count is available.

### Quadrature Position/Revolution Counter (QPRC) (One channel)

The Quadrature Position/Revolution Counter (QPRC) is used to measure the position of the position encoder. Moreover, it is possible to use up/down counter.

- The detection edge of the three external event input pins AIN, BIN and ZIN is configurable.
- 16-bit position counter
- 16-bit revolution counter
- Two 16-bit compare registers

### Dual Timer (32-/16-bit Down Counter)

The dual timer consists of two programmable 32-/16-bit down counters.

Operation mode is selectable from the followings for each channel.

- Free-running
- Periodic (=Reload)
- One-shot

### Watch Counter

The watch counter is used for wake up from the low-power consumption mode. It is possible to select the main clock, sub clock, built-in High-speed CR clock or built-in Low-speed CR clock as the clock source.

Interval timer: up to 64 s (Max) @ Sub Clock: 32.768 kHz

### External Interrupt Controller Unit

- External interrupt input pin: Max 16 pins
- Include one non-maskable interrupt (NMI)

### Watchdog Timer (Two channels)

A watchdog timer can generate interrupts or a reset when a time-out value is reached.

This series consists of two different watchdogs, a hardware watchdog and a software watchdog.

The hardware watchdog timer is clocked by low-speed internal CR oscillator. Therefore, the hardware watchdog is active in any power saving mode except RTC mode and stop mode.

### CRC (Cyclic Redundancy Check) Accelerator

The CRC accelerator helps verify data transmission or storage integrity.

CCITT CRC16 and IEEE-802.3 CRC32 are supported.

- CCITT CRC16 Generator Polynomial: 0x1021
- IEEE-802.3 CRC32 Generator Polynomial: 0x04C11DB7

### PRGCRC (Programmable Cyclic Redundancy Check) Accelerator

The CRC accelerator helps verify data transmission or storage integrity.

CCITT CRC16, IEEE-802.3 CRC32 and a generating polynomial are supported.

- CCITT CRC16 Generator Polynomial: 0x1021
- IEEE-802.3 CRC32 Generator Polynomial: 0x04C11DB7
- Generating polynomial

### I<sup>2</sup>S Interface (TX x two channels, RX x two channels)

- Support three transfer protocols
  - I<sup>2</sup>S
  - Left Justified
  - DSP mode
- Master/Slave Mode selectable
- RX only, TX only or TX and RX simultaneous operation selectable
- Word length is programmable from 7 bits to 32 bits
- RX/TX FIFO integrated (RX: 66 words x 32 bits, TX: 66 words x 32 bits)
- DMA, interrupts, or polling based data transfer supported

### GDC Unit

- Controller for external graphics display
- Accelerator for 2D block image transfer (blit) operations
- Embedded SRAM video memory
- High-Speed Quad SPI (Serial Peripheral Interface for external memory extensions)

- SDRAM interface for external memory extensions
- HBI (Hyper Bus Interface) interface for external memory extensions
- Maximum core system clock frequency : 160 MHz

### Clock and Reset

#### ■ Clocks

Five clock sources (two external oscillators, two internal CR oscillator, and Main PLL) that are dynamically selectable.

- Main clock: 4 MHz to 20 MHz
- Sub Clock : 32.768 kHz
- High-speed internal CR Clock: 4 MHz
- Low-speed internal CR Clock: 100 kHz
- Main PLL Clock

#### ■ Resets

- Reset requests from INITX pin
- Power on reset
- Software reset
- Watchdog timers reset
- Low voltage detector reset
- Clock supervisor reset

### Clock Super Visor (CSV)

Clocks generated by internal CR oscillators are used to supervise abnormality of the external clocks.

- External OSC clock failure (clock stop) is detected, reset is asserted.
- External OSC frequency anomaly is detected, interrupt or reset is asserted.

### Low-Voltage Detector (LVD)

This Series include 2-stage monitoring of voltage on the VCC pins. When the voltage falls below the voltage has been set, Low-Voltage Detector generates an interrupt or reset.

- LVD1: error reporting via interrupt
- LVD2: auto-reset operation

### Low-Power Consumption Mode

Six low-power consumption modes are supported.

- Sleep
- Timer
- RTC
- Stop
- Deep standby RTC (selectable from with/without RAM retention)
- Deep standby Stop (selectable from with/without RAM retention)

### Peripheral Clock Gating

The system can reduce the current consumption of the total system with gating the operation clocks of peripheral functions not used.

### VBAT

The consumption power during the RTC operation can be reduced by supplying the power supply independent from the RTC (calendar circuit)/32 kHz oscillation circuit. The following circuits can also be used.

- RTC
- 32 kHz oscillation circuit
- Power-on circuit
- Back up register : 32 bytes
- Port circuit

### Debug

- Serial Wire Debug Port (SWJ-DP)
- Embedded Trace Macrocells (ETM) provide comprehensive debug and trace facilities.

### Unique ID

Unique value of the device (41-bit) is set.

### Power Supply

- Two Power Supplies
  - Power supply:
    - VCC= 2.7 V to 3.6 V (when USB or GDC unit is not used)
    - = 3.0 V to 3.6 V (when USB or GDC unit is used)
  - Power supply for VBAT:
    - VBAT= 1.65 V to 3.6 V

## Table of Contents

|  |           |
|--|-----------|
| <b>Features</b> .....  | <b>1</b>  |
| <b>1. Product Lineup</b> .....   | <b>7</b>  |
| <b>2. Packages</b> .....   | <b>8</b>  |
| <b>3. Pin Assignment</b> .....   | <b>9</b>  |
| <b>4. Pin Descriptions</b> .....   | <b>13</b> |
| <b>5. I/O Circuit Type</b> .....   | <b>47</b> |
| <b>6. Handling Precautions</b> .....   | <b>54</b> |
| 6.1 Precautions for Product Design .....   | 54        |
| 6.2 Precautions for Package Mounting.....  | 55        |
| 6.3 Precautions for Use Environment.....   | 57        |
| <b>7. Handling Devices</b> .....   | <b>58</b> |
| <b>8. Block Diagram</b> .....  | <b>61</b> |
| <b>9. Memory Size</b> .....  | <b>62</b> |
| <b>10. Memory Map</b> .....  | <b>62</b> |
| <b>11. Pin Status in Each CPU State</b> .....  | <b>64</b> |
| <b>12. Electrical Characteristics</b> .....  | <b>72</b> |
| 12.1 Absolute Maximum Ratings.....   | 72        |
| 12.2 Recommended Operating Conditions.....   | 73        |
| 12.3 DC Characteristics.....   | 77        |
| 12.3.1 Current Rating.....   | 77        |
| 12.3.2 Pin Characteristics .....   | 87        |
| 12.4 AC Characteristics.....   | 88        |
| 12.4.1 Main Clock Input Characteristics.....   | 88        |
| 12.4.2 Sub Clock Input Characteristics .....   | 89        |
| 12.4.3 Built-in CR Oscillation Characteristics.....  | 89        |
| 12.4.4 Operating Conditions of Main PLL (In the Case of Using Main Clock for Input Clock of PLL).....                        | 90        |
| 12.4.5 Operating Conditions of USB/I <sup>2</sup> S/GDC PLL (In the Case of Using Main Clock for Input Clock of PLL) .....   | 90        |
| 12.4.6 Operating Conditions of Main PLL (In the Case of Using Built-in High-Speed CR Clock for Input Clock of Main PLL)..... | 91        |
| 12.4.7 Reset Input Characteristics .....   | 91        |
| 12.4.8 Power-on Reset Timing.....  | 92        |
| 12.4.9 GPIO Output Characteristics.....  | 92        |
| 12.4.10 External Bus Timing.....   | 93        |
| 12.4.11 Base Timer Input Timing.....   | 104       |
| 12.4.12 CSIO Timing .....  | 105       |
| 12.4.13 External Input Timing.....   | 138       |
| 12.4.14 Quadrature Position/Revolution Counter Timing .....  | 139       |
| 12.4.15 I <sup>2</sup> C Timing.....   | 142       |
| 12.4.16 ETM Timing .....   | 143       |
| 12.4.17 JTAG Timing.....   | 145       |
| 12.4.18 I <sup>2</sup> S Timing .....  | 146       |
| 12.4.19 GDC:Panel Output Timing.....   | 151       |
| 12.4.20 GDC: SDRAM-IF Timing.....  | 152       |
| 12.4.21 GDC: High-Speed Quad SPI Timing.....   | 154       |
| 12.4.22 GDC: HyperBus I/F Timing .....   | 156       |
| 12.5 12-bit A/D Converter.....   | 158       |
| 12.6 USB Characteristics .....   | 162       |

|            |   |            |
|------------|---|------------|
| 12.7       | Low-Voltage Detection Characteristics .....         | 166        |
| 12.7.1     | Low-Voltage Detection Reset.....                    | 166        |
| 12.7.2     | Interrupt of Low-Voltage Detection.....             | 166        |
| 12.8       | MainFlash Memory Write/Erase Characteristics.....   | 167        |
| 12.9       | VFLASH Memory Write/Erase Characteristics .....     | 167        |
| 12.10      | Standby Recovery Time .....                         | 168        |
| 12.10.1    | Recovery Cause: Interrupt/WKUP .....                | 168        |
| 12.10.2    | Recovery Cause: Reset.....                          | 170        |
| <b>13.</b> | <b>Ordering Information .....</b>                   | <b>172</b> |
| <b>14.</b> | <b>Package Dimensions .....</b>                     | <b>173</b> |
| <b>15.</b> | <b>Errata.....</b>                                  | <b>177</b> |
| 15.1       | Part Numbers Affected .....                         | 177        |
| 15.2       | Qualification Status.....                           | 177        |
| 15.3       | Errata Summary .....                                | 177        |
| <b>16.</b> | <b>Major Changes .....</b>                          | <b>179</b> |
|            | <b>Document History.....</b>                        | <b>180</b> |
|            | <b>Sales, Solutions, and Legal Information.....</b> | <b>182</b> |

## 1. Product Lineup

### Memory Size

| Product Name         |       | S6E2D35G0A<br>S6E2D35J0A | S6E2D35GJA |
|----------------------|-------|--------------------------|------------|
| On-chip Flash memory |       | 384 Kbytes               |            |
| On-chip SRAM         | SRAM  | 36 Kbytes                |            |
|                      | SRAM0 | 32 Kbytes                |            |
|                      | SRAM2 | 4 Kbytes                 |            |
| VRAM for GDC         |       | 512 Kbytes               |            |
| VFLASH for GDC       |       | -                        | 2 Mbytes   |

### Function

| Product Name   |                        | S6E2D35G0A   | S6E2D35J0A     | S6E2D35GJA    |
|--|------------------------|--|----------------|---------------|
| Pin count  |                        | 120/161  | 176            | 120           |
| CPU  |                        | Cortex-M4F, MPU, NVIC 128ch.   |                |               |
| Freq.  |                        | 160 MHz  |                |               |
| Power supply voltage range                                       |                        | 2.7 V to 3.6 V   |                |               |
| USB2.0 (Device/Host)   |                        | 1ch.   |                |               |
| DMAC   |                        | 8ch.   |                |               |
| DSTC   |                        | 128ch.   |                |               |
| GDC unit   |                        | 1 unit   |                |               |
| Graphics · Display controller                                    |                        | 1 unit   |                |               |
| High-Speed Quad SPI  |                        | 1ch.   | (VFLASH only)  |               |
| Hyper Bus Interface  |                        | 1 unit   | -              |               |
| SDRAM-IF   |                        | -  | 1ch.           | -             |
| External Bus Interface   |                        | Addr:25-bit (Max), Data: 8-/16-bit, CS:2 (Max)<br>SRAM, NOR Flash, NAND Flash, SDRAM |                |               |
| Multi-function Serial Interface (UART/CSIO/LIN/I <sup>2</sup> C) |                        | 8ch. (Max)   |                |               |
| Base Timer (PWC/Reload timer/PWM/PPG)                            |                        | 8ch. (Max)   |                |               |
| MF Timer   | A/D activation compare | 6ch.   |                |               |
|  | Input capture          | 4ch.   |                |               |
|  | Free-run timer         | 3ch.   |                |               |
|  | Output compare         | 6ch.   |                |               |
|  | Waveform generator     | 3ch.   |                |               |
|  | PPG                    | 3ch.   |                |               |
| I <sup>2</sup> S   |                        | 2 units  |                |               |
| QPRC   |                        | 1ch.   |                |               |
| Dual Timer   |                        | 1 unit   |                |               |
| Real-Time Clock  |                        | 1 unit   |                |               |
| Watch Counter  |                        | 1 unit   |                |               |
| CRC Accelerator  |                        | Yes(Fixed, Programmable)   |                |               |
| Watchdog Timer   |                        | 1ch. (SW) + 1ch. (HW)  |                |               |
| External Interrupts  |                        | 16 pins (Max)+ NMI × 1   |                |               |
| I/O ports  |                        | 98 pins (Max)  | 154 pins (Max) | 90 pins (Max) |
| 12-bit A/D converter   |                        | 24ch. (2 units)  |                |               |
| CSV (Clock Super Visor)  |                        | Yes  |                |               |
| LVD (Low-Voltage Detector)                                       |                        | 2ch.   |                |               |
| Built-in CR  | High-speed             | 4 MHz  |                |               |
|  | Low-speed              | 100 kHz  |                |               |
| Debug Function   |                        | SWJ-DP/ETM   |                |               |
| Unique ID  |                        | Yes  |                |               |



**Notes:**

- All signals of the peripheral function in each product cannot be allocated by limiting the pins of package. It is necessary to use the port relocate function of the I/O port according to your function use.
- See 12.4.3 Built-in CR Oscillation Characteristics for the accuracy of the built-in CR.

**2. Packages**

| Package                               | Product Name | S6E2D35G0A | S6E2D35J0A | S6E2D35GJA |
|---------------------------------------|--------------|------------|------------|------------|
| LQFP: LQM120 (0.5 mm pitch)           |              | ○          | -          | ○          |
| LQFP: LQP176 (0.5 mm pitch)           |              | -          | ○          | -          |
| FBGA: FDJ161 (0.5 mm pitch)           |              | ○          | -          | -          |
| Ex-LQFP(TEQFP): LEM120 (0.5 mm pitch) |              | ○          |            |            |

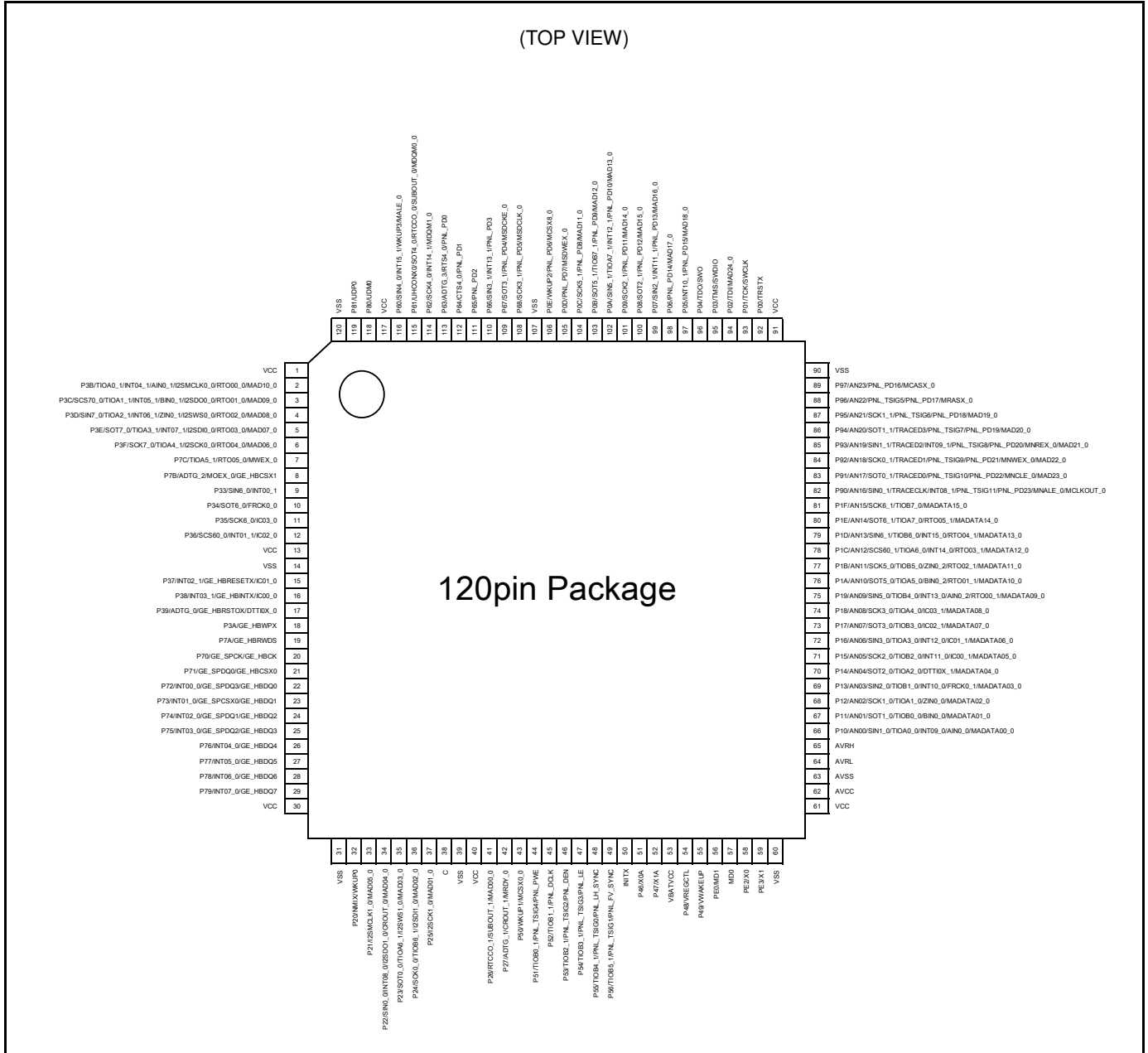
○: Supported

**Note:**

- See 14. Package Dimensions for detailed information on each package.

## 3. Pin Assignment

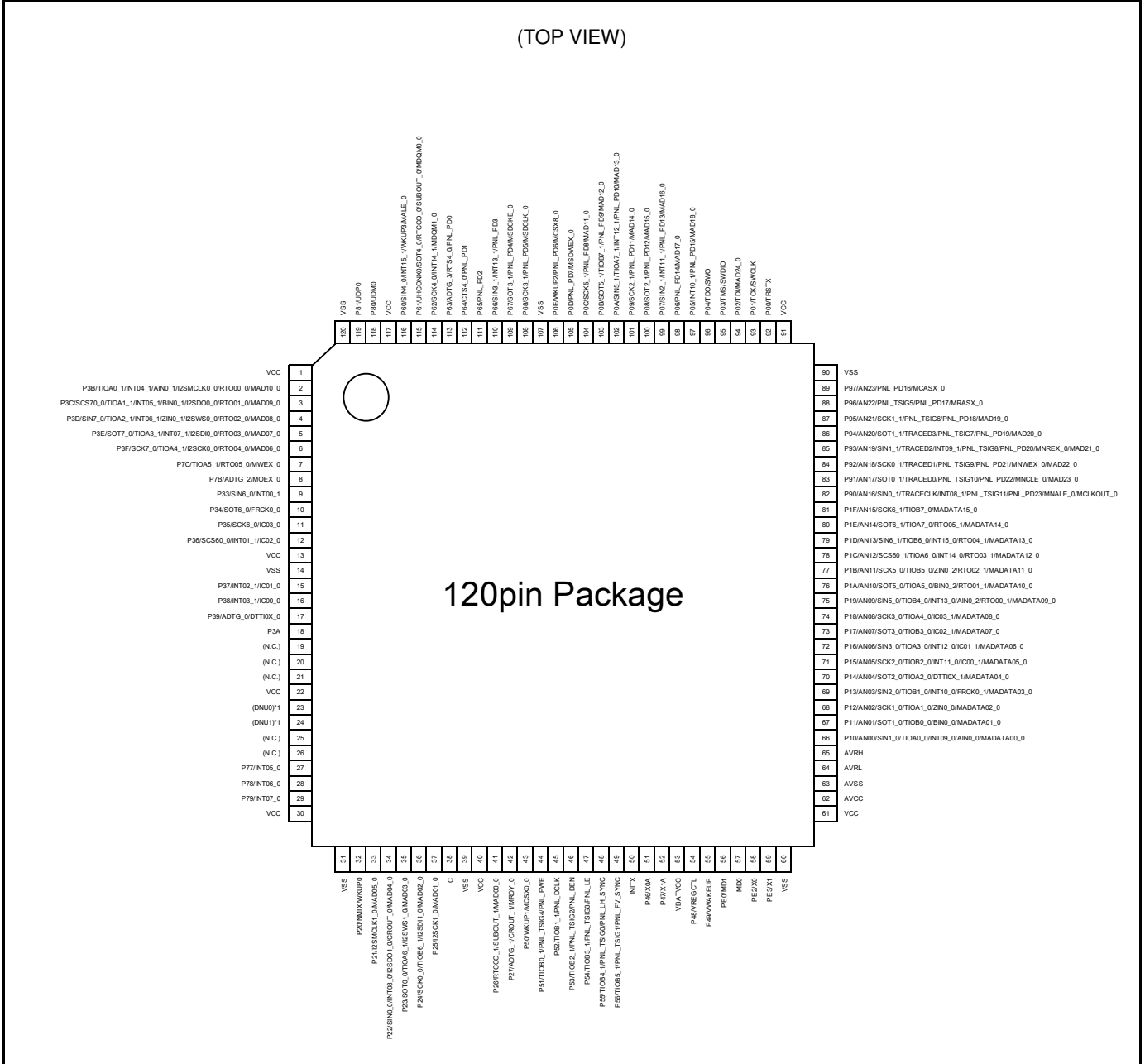
### LQM120 / LEM120



**Note:**

- The number after the underscore ("\_") in pin names such as XXX\_1 and XXX\_2 indicates the relocated port number. For these pins, there are multiple pins that provide the same function for the same channel. Use the extended port function register (EPFR) to select the pin.

## LQM120 (S6E2D35GJA)



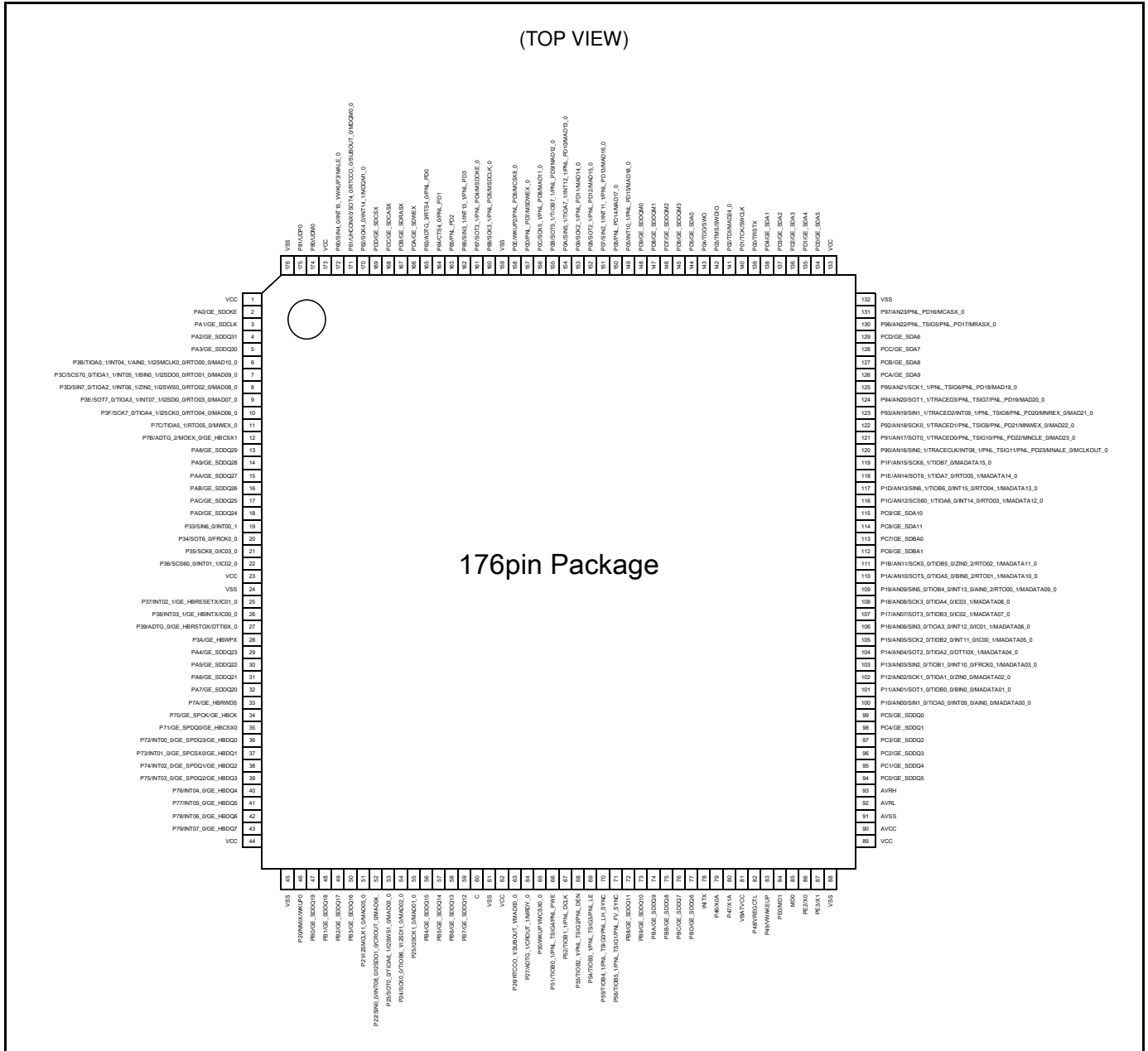
\*1: The DNU0 / 1 (23 pin / 24 pin), please pull up and short-circuit on the board.  
For more information, please refer to the 7. Handling Devices.

(N.C.): Do not connect anything.

### Note:

- The number after the underscore (" ") in pin names such as XXX\_1 and XXX\_2 indicates the relocated port number. For these pins, there are multiple pins that provide the same function for the same channel. Use the extended port function register (EPFR) to select the pin.

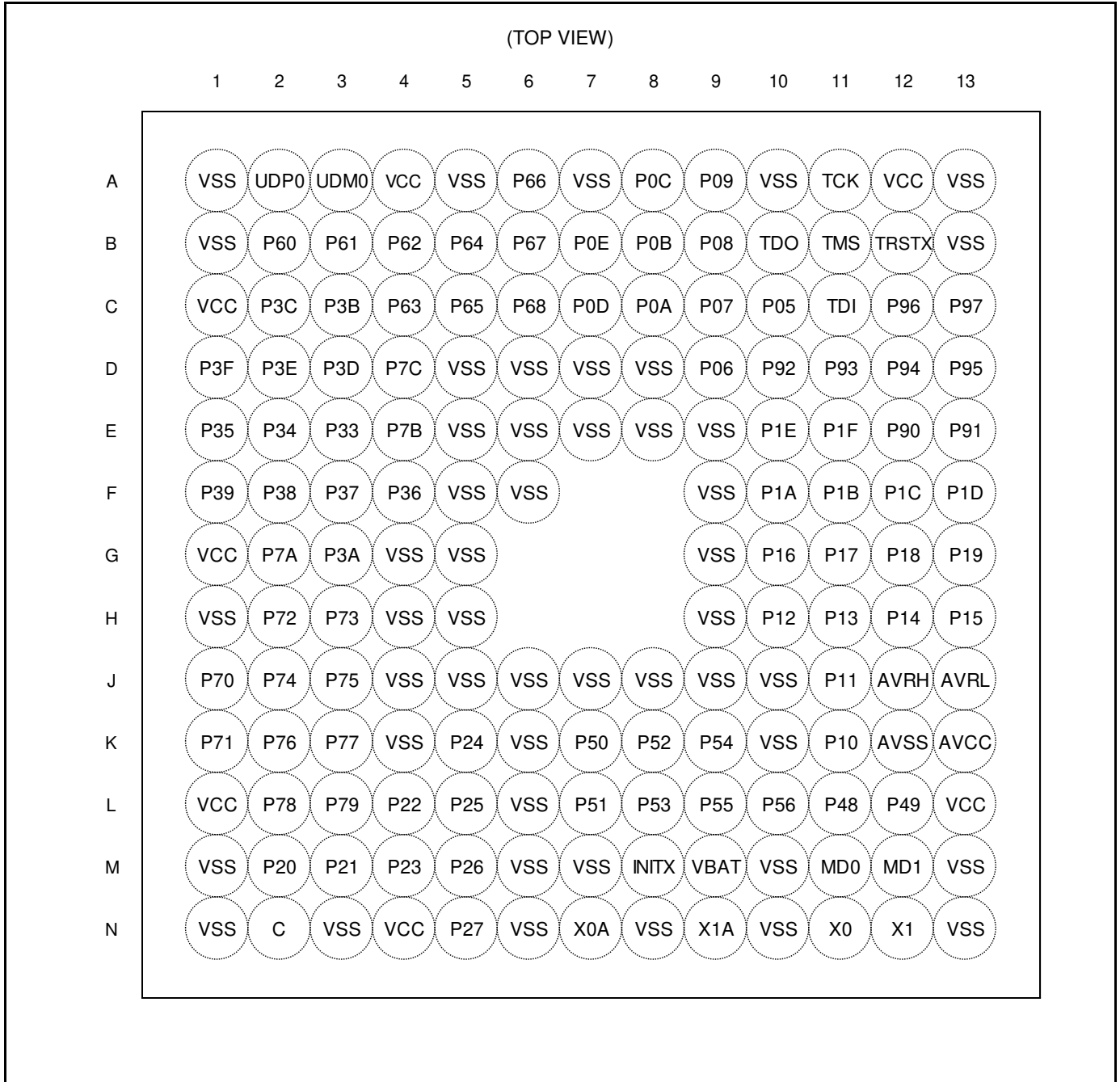
## LQP176



**Note:**

- The number after the underscore (" ") in pin names such as XXX\_1 and XXX\_2 indicates the relocated port number. For these pins, there are multiple pins that provide the same function for the same channel. Use the extended port function register (EPFR) to select the pin.

**FDJ161**



**Note:**

- The number after the underscore ("\_") in pin names such as XXX\_1 and XXX\_2 indicates the relocated port number. For these pins, there are multiple pins that provide the same function for the same channel. Use the extended port function register (EPFR) to select the pin.

## 4. Pin Descriptions

### List of Pin Functions

The number after the underscore ("\_") in pin names such as XXX\_1 and XXX\_2 indicates the relocated port number. For these pins, there are multiple pins that provide the same function for the same channel.

Use the extended port function register (EPFR) to select the pin.

| Pin No. |                       |                         |         | Pin name             | I/O circuit type | Pin state type |
|---------|-----------------------|-------------------------|---------|----------------------|------------------|----------------|
| LQFP176 | LQFP120<br>Ex-LQFP120 | LQFP120<br>(S6E2D35GJA) | FBGA161 |                      |                  |                |
| 1       | 1                     | 1                       | C1      | VCC                  | —                | —              |
| 2       | —                     | —                       | —       | PA0                  | K                | I              |
|         |                       |                         |         | GE_SDCKE             |                  |                |
| 3       | —                     | —                       | —       | PA1                  | K                | I              |
|         |                       |                         |         | GE_SDCLK             |                  |                |
| 4       | —                     | —                       | —       | PA2                  | L                | I              |
|         |                       |                         |         | GE_SDDQ31            |                  |                |
| 5       | —                     | —                       | —       | PA3                  | L                | I              |
|         |                       |                         |         | GE_SDDQ30            |                  |                |
| 6       | 2                     | 2                       | C3      | P3B                  | G                | K              |
|         |                       |                         |         | TIOA0_1              |                  |                |
|         |                       |                         |         | INT04_1              |                  |                |
|         |                       |                         |         | AIN0_1               |                  |                |
|         |                       |                         |         | I2SMCLK0_0           |                  |                |
|         |                       |                         |         | RTO00_0<br>(PPG00_0) |                  |                |
| MAD10_0 |                       |                         |         |                      |                  |                |
| 7       | 3                     | 3                       | C2      | P3C                  | G                | K              |
|         |                       |                         |         | SCS70_0              |                  |                |
|         |                       |                         |         | TIOA1_1              |                  |                |
|         |                       |                         |         | INT05_1              |                  |                |
|         |                       |                         |         | BIN0_1               |                  |                |
|         |                       |                         |         | I2SDO0_0             |                  |                |
|         |                       |                         |         | RTO01_0<br>(PPG00_0) |                  |                |
| MAD09_0 |                       |                         |         |                      |                  |                |
| 8       | 4                     | 4                       | D3      | P3D                  | G                | K              |
|         |                       |                         |         | SIN7_0               |                  |                |
|         |                       |                         |         | TIOA2_1              |                  |                |
|         |                       |                         |         | INT06_1              |                  |                |
|         |                       |                         |         | ZIN0_1               |                  |                |
|         |                       |                         |         | I2SWS0_0             |                  |                |
|         |                       |                         |         | RTO02_0<br>(PPG02_0) |                  |                |
| MAD08_0 |                       |                         |         |                      |                  |                |

| Pin No. |                       |                         |         | Pin name             | I/O circuit type | Pin state type |
|---------|-----------------------|-------------------------|---------|----------------------|------------------|----------------|
| LQFP176 | LQFP120<br>Ex-LQFP120 | LQFP120<br>(S6E2D35GJA) | FBGA161 |                      |                  |                |
| 9       | 5                     | 5                       | D2      | P3E                  | G                | K              |
|         |                       |                         |         | SOT7_0<br>(SDA7_0)   |                  |                |
|         |                       |                         |         | TIOA3_1              |                  |                |
|         |                       |                         |         | INT07_1              |                  |                |
|         |                       |                         |         | I2SDI0_0             |                  |                |
|         |                       |                         |         | RTO03_0<br>(PPG02_0) |                  |                |
|         |                       |                         |         | MAD07_0              |                  |                |
| 10      | 6                     | 6                       | D1      | P3F                  | G                | I              |
|         |                       |                         |         | SCK7_0<br>(SCL7_0)   |                  |                |
|         |                       |                         |         | TIOA4_1              |                  |                |
|         |                       |                         |         | I2SCK0_0             |                  |                |
|         |                       |                         |         | RTO04_0<br>(PPG04_0) |                  |                |
|         |                       |                         |         | MAD06_0              |                  |                |
| 11      | 7                     | 7                       | D4      | P7C                  | G                | I              |
|         |                       |                         |         | TIOA5_1              |                  |                |
|         |                       |                         |         | RTO05_0<br>(PPG04_0) |                  |                |
|         |                       |                         |         | MWEX_0               |                  |                |
| 12      | 8                     | —                       | E4      | P7B                  | K                | I              |
|         |                       |                         |         | ADTG_2               |                  |                |
|         |                       |                         |         | GE_HBCSX1            |                  |                |
|         |                       |                         |         | MOEX_0               |                  |                |
| —       | —                     | 8                       | —       | P7B                  | K                | I              |
|         |                       |                         |         | ADTG_2               |                  |                |
|         |                       |                         |         | MOEX_0               |                  |                |
| 13      | —                     | —                       | —       | PA8                  | L                | I              |
|         |                       |                         |         | GE_SDDQ29            |                  |                |
| 14      | —                     | —                       | —       | PA9                  | L                | I              |
|         |                       |                         |         | GE_SDDQ28            |                  |                |
| 15      | —                     | —                       | —       | PAA                  | L                | I              |
|         |                       |                         |         | GE_SDDQ27            |                  |                |
| 16      | —                     | —                       | —       | PAB                  | L                | I              |
|         |                       |                         |         | GE_SDDQ26            |                  |                |
| 17      | —                     | —                       | —       | PAC                  | L                | I              |
|         |                       |                         |         | GE_SDDQ25            |                  |                |
| 18      | —                     | —                       | —       | PAD                  | L                | I              |
|         |                       |                         |         | GE_SDDQ24            |                  |                |

| Pin No. |                       |                         |         | Pin name           | I/O circuit type | Pin state type |
|---------|-----------------------|-------------------------|---------|--------------------|------------------|----------------|
| LQFP176 | LQFP120<br>Ex-LQFP120 | LQFP120<br>(S6E2D35GJA) | FBGA161 |                    |                  |                |
| 19      | 9                     | 9                       | E3      | P33                | D                | K              |
|         |                       |                         |         | SIN6_0             |                  |                |
|         |                       |                         |         | INT00_1            |                  |                |
| 20      | 10                    | 10                      | E2      | P34                | D                | I              |
|         |                       |                         |         | SOT6_0<br>(SDA6_0) |                  |                |
|         |                       |                         |         | FRCK0_0            |                  |                |
| 21      | 11                    | 11                      | E1      | P35                | D                | I              |
|         |                       |                         |         | SCK6_0<br>(SCL6_0) |                  |                |
|         |                       |                         |         | IC03_0             |                  |                |
| 22      | 12                    | 12                      | F4      | P36                | D                | K              |
|         |                       |                         |         | SCS60_0            |                  |                |
|         |                       |                         |         | INT01_1            |                  |                |
|         |                       |                         |         | IC02_0             |                  |                |
| 23      | 13                    | 13                      | G1      | VCC                | —                | —              |
| 24      | 14                    | 14                      | H1      | VSS                | —                | —              |
| 25      | 15                    | —                       | F3      | P37                | D                | K              |
|         |                       |                         |         | GE_HBRESETX        |                  |                |
|         |                       |                         |         | INT02_1            |                  |                |
|         |                       |                         |         | IC01_0             |                  |                |
| —       | —                     | 15                      | —       | P37                | D                | K              |
|         |                       |                         |         | INT02_1            |                  |                |
|         |                       |                         |         | IC01_0             |                  |                |
| 26      | 16                    | —                       | F2      | P38                | D                | K              |
|         |                       |                         |         | GE_HBINTX          |                  |                |
|         |                       |                         |         | INT03_1            |                  |                |
|         |                       |                         |         | IC00_0             |                  |                |
| —       | —                     | 16                      | —       | P38                | D                | K              |
|         |                       |                         |         | INT03_1            |                  |                |
|         |                       |                         |         | IC00_0             |                  |                |



| Pin No. |                       |                         |         | Pin name   | I/O circuit type | Pin state type |
|---------|-----------------------|-------------------------|---------|------------|------------------|----------------|
| LQFP176 | LQFP120<br>Ex-LQFP120 | LQFP120<br>(S6E2D35GJA) | FBGA161 |            |                  |                |
| 27      | 17                    | -                       | F1      | P39        | E                | I              |
|         |                       |                         |         | ADTG_0     |                  |                |
|         |                       |                         |         | GE_HBRSTOX |                  |                |
|         |                       |                         |         | DTTI0X_0   |                  |                |
| -       | -                     | 17                      | -       | P39        | E                | I              |
|         |                       |                         |         | ADTG_0     |                  |                |
|         |                       |                         |         | DTTI0X_0   |                  |                |
| 28      | 18                    | -                       | G3      | P3A        | E                | I              |
|         |                       |                         |         | GE_HBWPX   |                  |                |
| -       | -                     | 18                      | -       | P3A        | E                | I              |
| 29      | -                     | -                       | -       | PA4        | L                | I              |
|         |                       |                         |         | GE_SDDQ23  |                  |                |
| 30      | -                     | -                       | -       | PA5        | L                | I              |
|         |                       |                         |         | GE_SDDQ22  |                  |                |
| 31      | -                     | -                       | -       | PA6        | L                | I              |
|         |                       |                         |         | GE_SDDQ21  |                  |                |
| 32      | -                     | -                       | -       | PA7        | L                | I              |
|         |                       |                         |         | GE_SDDQ20  |                  |                |
| 33      | 19                    | -                       | G2      | P7A        | K                | I              |
|         |                       |                         |         | GE_HBRWDS  |                  |                |
| -       | -                     | 19                      | -       | (N.C.)     | -                | -              |
| 34      | 20                    | -                       | J1      | P70        | K                | I              |
|         |                       |                         |         | GE_SPCK    |                  |                |
|         |                       |                         |         | GE_HBCK    |                  |                |
| -       | -                     | 20                      | -       | (N.C.)     | -                | -              |
| 35      | 21                    | -                       | K1      | P71        | K                | I              |
|         |                       |                         |         | GE_SPDQ0   |                  |                |
|         |                       |                         |         | GE_HBCSX0  |                  |                |
| -       | -                     | 21                      | -       | (N.C.)     | -                | -              |
| 36      | 22                    | -                       | H2      | P72        | K                | K              |
|         |                       |                         |         | GE_SPDQ3   |                  |                |
|         |                       |                         |         | GE_HBDQ0   |                  |                |
|         |                       |                         |         | INT00_0    |                  |                |
| -       | -                     | 22                      | -       | VCC        | -                | -              |
| 37      | 23                    | -                       | H3      | P73        | K                | K              |
|         |                       |                         |         | GE_SPCSX0  |                  |                |
|         |                       |                         |         | GE_HBDQ1   |                  |                |
|         |                       |                         |         | INT01_0    |                  |                |
| -       | -                     | 23                      | -       | (DNU0)     | -                | -              |
| 38      | 24                    | -                       | J2      | P74        | K                | K              |
|         |                       |                         |         | GE_SPDQ1   |                  |                |
|         |                       |                         |         | GE_HBDQ2   |                  |                |
|         |                       |                         |         | INT02_0    |                  |                |

| Pin No. |                       |                         |         | Pin name  | I/O circuit type | Pin state type |
|---------|-----------------------|-------------------------|---------|-----------|------------------|----------------|
| LQFP176 | LQFP120<br>Ex-LQFP120 | LQFP120<br>(S6E2D35GJA) | FBGA161 |           |                  |                |
| —       | —                     | 24                      | —       | (DNU1)    | —                | —              |
| 39      | 25                    | —                       | J3      | P75       | K                | K              |
|         |                       |                         |         | GE_SPDQ2  |                  |                |
|         |                       |                         |         | GE_HBDQ3  |                  |                |
|         |                       |                         |         | INT03_0   |                  |                |
| —       | —                     | 25                      | —       | (N.C.)    | —                | —              |
| 40      | 26                    | —                       | K2      | P76       | K                | K              |
|         |                       |                         |         | GE_HBDQ4  |                  |                |
|         |                       |                         |         | INT04_0   |                  |                |
| —       | —                     | 26                      | —       | (N.C.)    | —                | —              |
| 41      | 27                    | —                       | K3      | P77       | K                | K              |
|         |                       |                         |         | GE_HBDQ5  |                  |                |
|         |                       |                         |         | INT05_0   |                  |                |
| —       | —                     | 27                      | —       | P77       | K                | K              |
| —       | —                     | 27                      | —       | INT05_0   |                  |                |
| 42      | 28                    | —                       | L2      | P78       | K                | K              |
|         |                       |                         |         | GE_HBDQ6  |                  |                |
|         |                       |                         |         | INT06_0   |                  |                |
| —       | —                     | 28                      | —       | P78       | K                | K              |
| —       | —                     | 28                      | —       | INT06_0   |                  |                |
| 43      | 29                    | —                       | L3      | P79       | K                | K              |
|         |                       |                         |         | GE_HBDQ7  |                  |                |
|         |                       |                         |         | INT07_0   |                  |                |
| —       | —                     | 29                      | —       | P79       | K                | K              |
| —       | —                     | 29                      | —       | INT07_0   |                  |                |
| 44      | 30                    | 30                      | L1      | VCC       | —                | —              |
| 45      | 31                    | 31                      | M1      | VSS       | —                | —              |
| 46      | 32                    | 32                      | M2      | P20       | I                | F              |
|         |                       |                         |         | NMIX      |                  |                |
|         |                       |                         |         | WKUP0     |                  |                |
| 47      | —                     | —                       | —       | PB0       | L                | I              |
|         |                       |                         |         | GE_SDDQ19 |                  |                |
| 48      | —                     | —                       | —       | PB1       | L                | I              |
|         |                       |                         |         | GE_SDDQ18 |                  |                |
| 49      | —                     | —                       | —       | PB2       | L                | I              |
|         |                       |                         |         | GE_SDDQ17 |                  |                |
| 50      | —                     | —                       | —       | PB3       | L                | I              |
|         |                       |                         |         | GE_SDDQ16 |                  |                |

| Pin No. |                       |                         |         | Pin name           | I/O circuit type | Pin state type |
|---------|-----------------------|-------------------------|---------|--------------------|------------------|----------------|
| LQFP176 | LQFP120<br>Ex-LQFP120 | LQFP120<br>(S6E2D35GJA) | FBGA161 |                    |                  |                |
| 51      | 33                    | 33                      | M3      | P21                | E                | I              |
|         |                       |                         |         | I2SMCLK1_0         |                  |                |
|         |                       |                         |         | MAD05_0            |                  |                |
| 52      | 34                    | 34                      | L4      | P22                | E                | K              |
|         |                       |                         |         | CROUT_0            |                  |                |
|         |                       |                         |         | SIN0_0             |                  |                |
|         |                       |                         |         | INT08_0            |                  |                |
|         |                       |                         |         | I2SDO1_0           |                  |                |
|         |                       |                         |         | MAD04_0            |                  |                |
| 53      | 35                    | 35                      | M4      | P23                | E                | I              |
|         |                       |                         |         | SOT0_0<br>(SDA0_0) |                  |                |
|         |                       |                         |         | TIOA6_1            |                  |                |
|         |                       |                         |         | I2SWS1_0           |                  |                |
|         |                       |                         |         | MAD03_0            |                  |                |
| 54      | 36                    | 36                      | K5      | P24                | E                | I              |
|         |                       |                         |         | SCK0_0<br>(SCL0_0) |                  |                |
|         |                       |                         |         | TIOB6_1            |                  |                |
|         |                       |                         |         | I2SDI1_0           |                  |                |
|         |                       |                         |         | MAD02_0            |                  |                |
| 55      | 37                    | 37                      | L5      | P25                | E                | I              |
|         |                       |                         |         | I2SCK1_0           |                  |                |
|         |                       |                         |         | MAD01_0            |                  |                |
| 56      | —                     | —                       | —       | PB4                | L                | I              |
| 57      | —                     | —                       | —       | PB5                | L                | I              |
|         |                       |                         |         | GE_SDDQ14          |                  |                |
| 58      | —                     | —                       | —       | PB6                | L                | I              |
|         |                       |                         |         | GE_SDDQ13          |                  |                |
| 59      | —                     | —                       | —       | PB7                | L                | I              |
|         |                       |                         |         | GE_SDDQ12          |                  |                |
| 60      | 38                    | 38                      | N2      | C                  | —                | —              |
| 61      | 39                    | 39                      | N3      | VSS                | —                | —              |
| 62      | 40                    | 40                      | N4      | VCC                | —                | —              |
| 63      | 41                    | 41                      | M5      | P26                | E                | I              |
|         |                       |                         |         | RTCCO_1            |                  |                |
|         |                       |                         |         | SUBOUT_1           |                  |                |
|         |                       |                         |         | MAD00_0            |                  |                |
| 64      | 42                    | 42                      | N5      | P27                | E                | I              |
|         |                       |                         |         | ADTG_1             |                  |                |
|         |                       |                         |         | CROUT_1            |                  |                |
|         |                       |                         |         | MRDY_0             |                  |                |

| Pin No. |                       |                         |         | Pin name    | I/O circuit type | Pin state type |
|---------|-----------------------|-------------------------|---------|-------------|------------------|----------------|
| LQFP176 | LQFP120<br>Ex-LQFP120 | LQFP120<br>(S6E2D35GJA) | FBGA161 |             |                  |                |
| 65      | 43                    | 43                      | K7      | P50         | D                | P              |
|         |                       |                         |         | WKUP1       |                  |                |
|         |                       |                         |         | MCSX0_0     |                  |                |
| 66      | 44                    | 44                      | L7      | P51         | E                | I              |
|         |                       |                         |         | TIOB0_1     |                  |                |
|         |                       |                         |         | PNL_PWE     |                  |                |
|         |                       |                         |         | PNL_TSIG4   |                  |                |
| 67      | 45                    | 45                      | K8      | P52         | D                | I              |
|         |                       |                         |         | TIOB1_1     |                  |                |
|         |                       |                         |         | PNL_DCLK    |                  |                |
| 68      | 46                    | 46                      | L8      | P53         | E                | I              |
|         |                       |                         |         | TIOB2_1     |                  |                |
|         |                       |                         |         | PNL_DEN     |                  |                |
|         |                       |                         |         | PNL_TSIG2   |                  |                |
| 69      | 47                    | 47                      | K9      | P54         | E                | I              |
|         |                       |                         |         | TIOB3_1     |                  |                |
|         |                       |                         |         | PNL_LE      |                  |                |
|         |                       |                         |         | PNL_TSIG3   |                  |                |
| 70      | 48                    | 48                      | L9      | P55         | E                | I              |
|         |                       |                         |         | TIOB4_1     |                  |                |
|         |                       |                         |         | PNL_LH_SYNC |                  |                |
|         |                       |                         |         | PNL_TSIG0   |                  |                |
| 71      | 49                    | 49                      | L10     | P56         | E                | I              |
|         |                       |                         |         | TIOB5_1     |                  |                |
|         |                       |                         |         | PNL_FV_SYNC |                  |                |
|         |                       |                         |         | PNL_TSIG1   |                  |                |
| 72      | -                     | -                       | -       | PB8         | L                | I              |
|         |                       |                         |         | GE_SDDQ11   |                  |                |
| 73      | -                     | -                       | -       | PB9         | L                | I              |
|         |                       |                         |         | GE_SDDQ10   |                  |                |
| 74      | -                     | -                       | -       | PBA         | L                | I              |
|         |                       |                         |         | GE_SDDQ9    |                  |                |
| 75      | -                     | -                       | -       | PBB         | L                | I              |
|         |                       |                         |         | GE_SDDQ8    |                  |                |
| 76      | -                     | -                       | -       | PBC         | L                | I              |
|         |                       |                         |         | GE_SDDQ7    |                  |                |
| 77      | -                     | -                       | -       | PBD         | L                | I              |
|         |                       |                         |         | GE_SDDQ6    |                  |                |
| 78      | 50                    | 50                      | M8      | INITX       | B                | C              |
| 79      | 51                    | 51                      | N7      | P46         | P                | S              |
|         |                       |                         |         | X0A         |                  |                |
| 80      | 52                    | 52                      | N9      | P47         | Q                | T              |
|         |                       |                         |         | X1A         |                  |                |

| Pin No. |                       |                         |         | Pin name   | I/O circuit type | Pin state type |
|---------|-----------------------|-------------------------|---------|------------|------------------|----------------|
| LQFP176 | LQFP120<br>Ex-LQFP120 | LQFP120<br>(S6E2D35GJA) | FBGA161 |            |                  |                |
| 81      | 53                    | 53                      | M9      | VBAT       | —                | —              |
| 82      | 54                    | 54                      | L11     | P48        | O                | U              |
|         |                       |                         |         | VREGCTL    |                  |                |
| 83      | 55                    | 55                      | L12     | P49        | O                | U              |
|         |                       |                         |         | VWAKEUP    |                  |                |
| 84      | 56                    | 56                      | M12     | PE0        | C                | E              |
|         |                       |                         |         | MD1        |                  |                |
| 85      | 57                    | 57                      | M11     | MD0        | J                | D              |
| 86      | 58                    | 58                      | N11     | PE2        | A                | A              |
|         |                       |                         |         | X0         |                  |                |
| 87      | 59                    | 59                      | N12     | PE3        | A                | B              |
|         |                       |                         |         | X1         |                  |                |
| 88      | 60                    | 60                      | M13     | VSS        | —                | —              |
| 89      | 61                    | 61                      | L13     | VCC        | —                | —              |
| 90      | 62                    | 62                      | K13     | AVCC       | —                | —              |
| 91      | 63                    | 63                      | K12     | AVSS       | —                | —              |
| 92      | 64                    | 64                      | J13     | AVRL       | —                | —              |
| 93      | 65                    | 65                      | J12     | AVRH       | —                | —              |
| 94      | —                     | —                       | —       | PC0        | L                | I              |
|         |                       |                         |         | GE_SDDQ5   |                  |                |
| 95      | —                     | —                       | —       | PC1        | L                | I              |
|         |                       |                         |         | GE_SDDQ4   |                  |                |
| 96      | —                     | —                       | —       | PC2        | L                | I              |
|         |                       |                         |         | GE_SDDQ3   |                  |                |
| 97      | —                     | —                       | —       | PC3        | L                | I              |
|         |                       |                         |         | GE_SDDQ2   |                  |                |
| 98      | —                     | —                       | —       | PC4        | L                | I              |
|         |                       |                         |         | GE_SDDQ1   |                  |                |
| 99      | —                     | —                       | —       | PC5        | L                | I              |
|         |                       |                         |         | GE_SDDQ0   |                  |                |
| 100     | 66                    | 66                      | K11     | P10        | F                | M              |
|         |                       |                         |         | AN00       |                  |                |
|         |                       |                         |         | SIN1_0     |                  |                |
|         |                       |                         |         | TIOA0_0    |                  |                |
|         |                       |                         |         | INT09_0    |                  |                |
|         |                       |                         |         | AIN0_0     |                  |                |
|         |                       |                         |         | MADATA00_0 |                  |                |

| Pin No. |                       |                         |         | Pin name              | I/O circuit type | Pin state type |
|---------|-----------------------|-------------------------|---------|-----------------------|------------------|----------------|
| LQFP176 | LQFP120<br>Ex-LQFP120 | LQFP120<br>(S6E2D35GJA) | FBGA161 |                       |                  |                |
| 101     | 67                    | 67                      | J11     | P11                   | F                | L              |
|         |                       |                         |         | AN01                  |                  |                |
|         |                       |                         |         | SOT1_0<br>(SDA1_0)    |                  |                |
|         |                       |                         |         | TIOB0_0               |                  |                |
|         |                       |                         |         | BIN0_0                |                  |                |
|         |                       |                         |         | MADATA01_0            |                  |                |
| 102     | 68                    | 68                      | H10     | P12                   | F                | L              |
|         |                       |                         |         | AN02                  |                  |                |
|         |                       |                         |         | SCK1_0<br>(SCL1_0)    |                  |                |
|         |                       |                         |         | TIOA1_0               |                  |                |
|         |                       |                         |         | ZIN0_0                |                  |                |
|         |                       |                         |         | MADATA02_0            |                  |                |
| 103     | 69                    | 69                      | H11     | P13                   | F                | M              |
|         |                       |                         |         | AN03                  |                  |                |
|         |                       |                         |         | SIN2_0                |                  |                |
|         |                       |                         |         | TIOB1_0               |                  |                |
|         |                       |                         |         | INT10_0               |                  |                |
|         |                       |                         |         | FRCK0_1<br>MADATA03_0 |                  |                |
| 104     | 70                    | 70                      | H12     | P14                   | F                | L              |
|         |                       |                         |         | AN04                  |                  |                |
|         |                       |                         |         | SOT2_0<br>(SDA2_0)    |                  |                |
|         |                       |                         |         | TIOA2_0               |                  |                |
|         |                       |                         |         | DTTIOX_1              |                  |                |
|         |                       |                         |         | MADATA04_0            |                  |                |
| 105     | 71                    | 71                      | H13     | P15                   | F                | M              |
|         |                       |                         |         | AN05                  |                  |                |
|         |                       |                         |         | SCK2_0<br>(SCL2_0)    |                  |                |
|         |                       |                         |         | TIOB2_0               |                  |                |
|         |                       |                         |         | INT11_0               |                  |                |
|         |                       |                         |         | IC00_1<br>MADATA05_0  |                  |                |
| 106     | 72                    | 72                      | G10     | P16                   | F                | M              |
|         |                       |                         |         | AN06                  |                  |                |
|         |                       |                         |         | SIN3_0                |                  |                |
|         |                       |                         |         | TIOA3_0               |                  |                |
|         |                       |                         |         | INT12_0               |                  |                |
|         |                       |                         |         | IC01_1<br>MADATA06_0  |                  |                |

| Pin No.              |                       |                         |         | Pin name             | I/O circuit type | Pin state type |
|----------------------|-----------------------|-------------------------|---------|----------------------|------------------|----------------|
| LQFP176              | LQFP120<br>Ex-LQFP120 | LQFP120<br>(S6E2D35GJA) | FBGA161 |                      |                  |                |
| 107                  | 73                    | 73                      | G11     | P17                  | F                | L              |
|                      |                       |                         |         | AN07                 |                  |                |
|                      |                       |                         |         | SOT3_0<br>(SDA3_0)   |                  |                |
|                      |                       |                         |         | TIOB3_0              |                  |                |
|                      |                       |                         |         | IC02_1               |                  |                |
|                      |                       |                         |         | MADATA07_0           |                  |                |
| 108                  | 74                    | 74                      | G12     | P18                  | F                | L              |
|                      |                       |                         |         | AN08                 |                  |                |
|                      |                       |                         |         | SCK3_0<br>(SCL3_0)   |                  |                |
|                      |                       |                         |         | TIOA4_0              |                  |                |
|                      |                       |                         |         | IC03_1               |                  |                |
|                      |                       |                         |         | MADATA08_0           |                  |                |
| 109                  | 75                    | 75                      | G13     | P19                  | F                | M              |
|                      |                       |                         |         | AN09                 |                  |                |
|                      |                       |                         |         | SIN5_0               |                  |                |
|                      |                       |                         |         | TIOB4_0              |                  |                |
|                      |                       |                         |         | INT13_0              |                  |                |
|                      |                       |                         |         | AIN0_2               |                  |                |
|                      |                       |                         |         | RTO00_1<br>(PPG00_1) |                  |                |
|                      |                       |                         |         | MADATA09_0           |                  |                |
| 110                  | 76                    | 76                      | F10     | P1A                  | F                | L              |
|                      |                       |                         |         | AN10                 |                  |                |
|                      |                       |                         |         | SOT5_0<br>(SDA5_0)   |                  |                |
|                      |                       |                         |         | TIOA5_0              |                  |                |
|                      |                       |                         |         | BIN0_2               |                  |                |
|                      |                       |                         |         | RTO01_1<br>(PPG00_1) |                  |                |
|                      |                       |                         |         | MADATA10_0           |                  |                |
|                      |                       |                         |         | 111                  |                  |                |
| AN11                 |                       |                         |         |                      |                  |                |
| SCK5_0<br>(SCL5_0)   |                       |                         |         |                      |                  |                |
| TIOB5_0              |                       |                         |         |                      |                  |                |
| ZIN0_2               |                       |                         |         |                      |                  |                |
| RTO02_1<br>(PPG02_1) |                       |                         |         |                      |                  |                |
| MADATA11_0           |                       |                         |         |                      |                  |                |
| 112                  | —                     | —                       | —       |                      | PC6              | K              |
|                      |                       |                         |         | GE_SDBA1             |                  |                |

| Pin No. |                       |                         |         | Pin name             | I/O circuit type | Pin state type |
|---------|-----------------------|-------------------------|---------|----------------------|------------------|----------------|
| LQFP176 | LQFP120<br>Ex-LQFP120 | LQFP120<br>(S6E2D35GJA) | FBGA161 |                      |                  |                |
| 113     | —                     | —                       | —       | PC7                  | K                | I              |
|         |                       |                         |         | GE_SDBA0             |                  |                |
| 114     | —                     | —                       | —       | PC8                  | K                | I              |
|         |                       |                         |         | GE_SDA11             |                  |                |
| 115     | —                     | —                       | —       | PC9                  | K                | I              |
|         |                       |                         |         | GE_SDA10             |                  |                |
| 116     | 78                    | 78                      | F12     | P1C                  | F                | M              |
|         |                       |                         |         | AN12                 |                  |                |
|         |                       |                         |         | SCS60_1              |                  |                |
|         |                       |                         |         | TIOA6_0              |                  |                |
|         |                       |                         |         | INT14_0              |                  |                |
|         |                       |                         |         | RTO03_1<br>(PPG02_1) |                  |                |
|         |                       |                         |         | MADATA12_0           |                  |                |
| 117     | 79                    | 79                      | F13     | P1D                  | F                | M              |
|         |                       |                         |         | AN13                 |                  |                |
|         |                       |                         |         | SIN6_1               |                  |                |
|         |                       |                         |         | TIOB6_0              |                  |                |
|         |                       |                         |         | INT15_0              |                  |                |
|         |                       |                         |         | RTO04_1<br>(PPG04_1) |                  |                |
|         |                       |                         |         | MADATA13_0           |                  |                |
| 118     | 80                    | 80                      | E10     | P1E                  | F                | L              |
|         |                       |                         |         | AN14                 |                  |                |
|         |                       |                         |         | SOT6_1<br>(SDA6_1)   |                  |                |
|         |                       |                         |         | TIOA7_0              |                  |                |
|         |                       |                         |         | RTO05_1<br>(PPG04_1) |                  |                |
|         |                       |                         |         | MADATA14_0           |                  |                |
| 119     | 81                    | 81                      | E11     | P1F                  | F                | L              |
|         |                       |                         |         | AN15                 |                  |                |
|         |                       |                         |         | SCK6_1<br>(SCL6_1)   |                  |                |
|         |                       |                         |         | TIOB7_0              |                  |                |
|         |                       |                         |         | MADATA15_0           |                  |                |



| Pin No. |                       |                         |         | Pin name           | I/O circuit type | Pin state type |
|---------|-----------------------|-------------------------|---------|--------------------|------------------|----------------|
| LQFP176 | LQFP120<br>Ex-LQFP120 | LQFP120<br>(S6E2D35GJA) | FBGA161 |                    |                  |                |
| 120     | 82                    | 82                      | E12     | P90                | F                | O              |
|         |                       |                         |         | AN16               |                  |                |
|         |                       |                         |         | SIN0_1             |                  |                |
|         |                       |                         |         | INT08_1            |                  |                |
|         |                       |                         |         | PNL_PD23           |                  |                |
|         |                       |                         |         | PNL_TSIG11         |                  |                |
|         |                       |                         |         | MCLKOUT_0          |                  |                |
|         |                       |                         |         | MNALE_0            |                  |                |
|         |                       |                         |         | TRACECLK           |                  |                |
| 121     | 83                    | 83                      | E13     | P91                | F                | N              |
|         |                       |                         |         | AN17               |                  |                |
|         |                       |                         |         | SOT0_1<br>(SDA0_1) |                  |                |
|         |                       |                         |         | PNL_PD22           |                  |                |
|         |                       |                         |         | PNL_TSIG10         |                  |                |
|         |                       |                         |         | MAD23_0            |                  |                |
|         |                       |                         |         | MNCLE_0            |                  |                |
|         |                       |                         |         | TRACED0            |                  |                |
| 122     | 84                    | 84                      | D10     | P92                | F                | N              |
|         |                       |                         |         | AN18               |                  |                |
|         |                       |                         |         | SCK0_1<br>(SCL0_1) |                  |                |
|         |                       |                         |         | PNL_PD21           |                  |                |
|         |                       |                         |         | PNL_TSIG9          |                  |                |
|         |                       |                         |         | MAD22_0            |                  |                |
|         |                       |                         |         | MNWEX_0            |                  |                |
|         |                       |                         |         | TRACED1            |                  |                |
| 123     | 85                    | 85                      | D11     | P93                | F                | O              |
|         |                       |                         |         | AN19               |                  |                |
|         |                       |                         |         | SIN1_1             |                  |                |
|         |                       |                         |         | INT09_1            |                  |                |
|         |                       |                         |         | PNL_PD20           |                  |                |
|         |                       |                         |         | PNL_TSIG8          |                  |                |
|         |                       |                         |         | MAD21_0            |                  |                |
|         |                       |                         |         | MNREX_0            |                  |                |
|         |                       |                         |         | TRACED2            |                  |                |
| 124     | 86                    | 86                      | D12     | P94                | F                | N              |
|         |                       |                         |         | AN20               |                  |                |
|         |                       |                         |         | SOT1_1<br>(SDA1_1) |                  |                |
|         |                       |                         |         | PNL_PD19           |                  |                |
|         |                       |                         |         | PNL_TSIG7          |                  |                |
|         |                       |                         |         | MAD20_0            |                  |                |
|         |                       |                         |         | TRACED3            |                  |                |

| Pin No. |                       |                         |         | Pin name           | I/O circuit type | Pin state type |
|---------|-----------------------|-------------------------|---------|--------------------|------------------|----------------|
| LQFP176 | LQFP120<br>Ex-LQFP120 | LQFP120<br>(S6E2D35GJA) | FBGA161 |                    |                  |                |
| 125     | 87                    | 87                      | D13     | P95                | F                | L              |
|         |                       |                         |         | AN21               |                  |                |
|         |                       |                         |         | SCK1_1<br>(SCL1_1) |                  |                |
|         |                       |                         |         | PNL_PD18           |                  |                |
|         |                       |                         |         | PNL_TSIG6          |                  |                |
| MAD19_0 |                       |                         |         |                    |                  |                |
| 126     | —                     | —                       | —       | PCA                | K                | I              |
|         |                       |                         |         | GE_SDA9            |                  |                |
| 127     | —                     | —                       | —       | PCB                | K                | I              |
|         |                       |                         |         | GE_SDA8            |                  |                |
| 128     | —                     | —                       | —       | PCC                | K                | I              |
|         |                       |                         |         | GE_SDA7            |                  |                |
| 129     | —                     | —                       | —       | PCD                | K                | I              |
|         |                       |                         |         | GE_SDA6            |                  |                |
| 130     | 88                    | 88                      | C12     | P96                | F                | L              |
|         |                       |                         |         | AN22               |                  |                |
|         |                       |                         |         | PNL_PD17           |                  |                |
|         |                       |                         |         | PNL_TSIG5          |                  |                |
|         |                       |                         |         | MRASX_0            |                  |                |
| 131     | 89                    | 89                      | C13     | P97                | F                | L              |
|         |                       |                         |         | AN23               |                  |                |
|         |                       |                         |         | PNL_PD16           |                  |                |
|         |                       |                         |         | MCASX_0            |                  |                |
| 132     | 90                    | 90                      | B13     | VSS                | —                | —              |
| 133     | 91                    | 91                      | A12     | VCC                | —                | —              |
| 134     | —                     | —                       | —       | PD0                | K                | I              |
|         |                       |                         |         | GE_SDA5            |                  |                |
| 135     | —                     | —                       | —       | PD1                | K                | I              |
|         |                       |                         |         | GE_SDA4            |                  |                |
| 136     | —                     | —                       | —       | PD2                | K                | I              |
|         |                       |                         |         | GE_SDA3            |                  |                |
| 137     | —                     | —                       | —       | PD3                | K                | I              |
|         |                       |                         |         | GE_SDA2            |                  |                |
| 138     | —                     | —                       | —       | PD4                | K                | I              |
|         |                       |                         |         | GE_SDA1            |                  |                |
| 139     | 92                    | 92                      | B12     | P00                | E                | G              |
|         |                       |                         |         | TRSTX              |                  |                |
| 140     | 93                    | 93                      | A11     | P01                | E                | G              |
|         |                       |                         |         | TCK                |                  |                |
|         |                       |                         |         | SWCLK              |                  |                |

| Pin No. |                       |                         |         | Pin name           | I/O circuit type | Pin state type |
|---------|-----------------------|-------------------------|---------|--------------------|------------------|----------------|
| LQFP176 | LQFP120<br>Ex-LQFP120 | LQFP120<br>(S6E2D35GJA) | FBGA161 |                    |                  |                |
| 141     | 94                    | 94                      | C11     | P02                | E                | H              |
|         |                       |                         |         | TDI                |                  |                |
|         |                       |                         |         | MAD24_0            |                  |                |
| 142     | 95                    | 95                      | B11     | P03                | E                | G              |
|         |                       |                         |         | TMS                |                  |                |
|         |                       |                         |         | SWDIO              |                  |                |
| 143     | 96                    | 96                      | B10     | P04                | E                | G              |
|         |                       |                         |         | TDO                |                  |                |
|         |                       |                         |         | SWO                |                  |                |
| 144     | —                     | —                       | —       | PD5                | K                | I              |
|         |                       |                         |         | GE_SDA0            |                  |                |
| 145     | —                     | —                       | —       | PD6                | K                | I              |
|         |                       |                         |         | GE_SDDQM3          |                  |                |
| 146     | —                     | —                       | —       | PD7                | K                | I              |
|         |                       |                         |         | GE_SDDQM2          |                  |                |
| 147     | —                     | —                       | —       | PD8                | K                | I              |
|         |                       |                         |         | GE_SDDQM1          |                  |                |
| 148     | —                     | —                       | —       | PD9                | K                | I              |
|         |                       |                         |         | GE_SDDQM0          |                  |                |
| 149     | 97                    | 97                      | C10     | P05                | E                | K              |
|         |                       |                         |         | INT10_1            |                  |                |
|         |                       |                         |         | PNL_PD15           |                  |                |
|         |                       |                         |         | MAD18_0            |                  |                |
| 150     | 98                    | 98                      | D9      | P06                | E                | I              |
|         |                       |                         |         | PNL_PD14           |                  |                |
|         |                       |                         |         | MAD17_0            |                  |                |
| 151     | 99                    | 99                      | C9      | P07                | E                | K              |
|         |                       |                         |         | SIN2_1             |                  |                |
|         |                       |                         |         | INT11_1            |                  |                |
|         |                       |                         |         | PNL_PD13           |                  |                |
|         |                       |                         |         | MAD16_0            |                  |                |
| 152     | 100                   | 100                     | B9      | P08                | E                | I              |
|         |                       |                         |         | SOT2_1<br>(SDA2_1) |                  |                |
|         |                       |                         |         | PNL_PD12           |                  |                |
|         |                       |                         |         | MAD15_0            |                  |                |
| 153     | 101                   | 101                     | A9      | P09                | E                | I              |
|         |                       |                         |         | SCK2_1<br>(SCL2_1) |                  |                |
|         |                       |                         |         | PNL_PD11           |                  |                |
|         |                       |                         |         | MAD14_0            |                  |                |

| Pin No. |                       |                         |         | Pin name           | I/O circuit type | Pin state type |
|---------|-----------------------|-------------------------|---------|--------------------|------------------|----------------|
| LQFP176 | LQFP120<br>Ex-LQFP120 | LQFP120<br>(S6E2D35GJA) | FBGA161 |                    |                  |                |
| 154     | 102                   | 102                     | C8      | P0A                | E                | K              |
|         |                       |                         |         | SIN5_1             |                  |                |
|         |                       |                         |         | TIOA7_1            |                  |                |
|         |                       |                         |         | INT12_1            |                  |                |
|         |                       |                         |         | PNL_PD10           |                  |                |
| MAD13_0 |                       |                         |         |                    |                  |                |
| 155     | 103                   | 103                     | B8      | P0B                | E                | I              |
|         |                       |                         |         | SOT5_1<br>(SDA5_1) |                  |                |
|         |                       |                         |         | TIOB7_1            |                  |                |
|         |                       |                         |         | PNL_PD9            |                  |                |
|         |                       |                         |         | MAD12_0            |                  |                |
| 156     | 104                   | 104                     | A8      | P0C                | E                | I              |
|         |                       |                         |         | SCK5_1<br>(SCL5_1) |                  |                |
|         |                       |                         |         | PNL_PD8            |                  |                |
|         |                       |                         |         | MAD11_0            |                  |                |
| 157     | 105                   | 105                     | C7      | P0D                | D                | I              |
|         |                       |                         |         | PNL_PD7            |                  |                |
|         |                       |                         |         | MSDWEX_0           |                  |                |
| 158     | 106                   | 106                     | B7      | P0E                | D                | P              |
|         |                       |                         |         | WKUP2              |                  |                |
|         |                       |                         |         | PNL_PD6            |                  |                |
| MCSX8_0 |                       |                         |         |                    |                  |                |
| 159     | 107                   | 107                     | A7      | VSS                | —                | —              |
| 160     | 108                   | 108                     | C6      | P68                | D                | I              |
|         |                       |                         |         | SCK3_1<br>(SCL3_1) |                  |                |
|         |                       |                         |         | PNL_PD5            |                  |                |
|         |                       |                         |         | MSDCLK_0           |                  |                |
| 161     | 109                   | 109                     | B6      | P67                | D                | I              |
|         |                       |                         |         | SOT3_1<br>(SDA3_1) |                  |                |
|         |                       |                         |         | PNL_PD4            |                  |                |
|         |                       |                         |         | MSDCKE_0           |                  |                |
| 162     | 110                   | 110                     | A6      | P66                | E                | K              |
|         |                       |                         |         | SIN3_1             |                  |                |
|         |                       |                         |         | INT13_1            |                  |                |
|         |                       |                         |         | PNL_PD3            |                  |                |
| 163     | 111                   | 111                     | C5      | P65                | E                | I              |
|         |                       |                         |         | PNL_PD2            |                  |                |
| 164     | 112                   | 112                     | B5      | P64                | E                | I              |
|         |                       |                         |         | CTS4_0             |                  |                |
|         |                       |                         |         | PNL_PD1            |                  |                |

| Pin No. |                       |                         |         | Pin name           | I/O circuit type | Pin state type |
|---------|-----------------------|-------------------------|---------|--------------------|------------------|----------------|
| LQFP176 | LQFP120<br>Ex-LQFP120 | LQFP120<br>(S6E2D35GJA) | FBGA161 |                    |                  |                |
| 165     | 113                   | 113                     | C4      | P63                | E                | I              |
|         |                       |                         |         | ADTG_3             |                  |                |
|         |                       |                         |         | RTS4_0             |                  |                |
|         |                       |                         |         | PNL_PD0            |                  |                |
| 166     | —                     | —                       | —       | PDA                | K                | I              |
|         |                       |                         |         | GE_SDWEX           |                  |                |
| 167     | —                     | —                       | —       | PDB                | K                | I              |
|         |                       |                         |         | GE_SDRASX          |                  |                |
| 168     | —                     | —                       | —       | PDC                | K                | I              |
|         |                       |                         |         | GE_SDCASX          |                  |                |
| 169     | —                     | —                       | —       | PDD                | K                | I              |
|         |                       |                         |         | GE_SDCSX           |                  |                |
| 170     | 114                   | 114                     | B4      | P62                | N                | K              |
|         |                       |                         |         | SCK4_0<br>(SCL4_0) |                  |                |
|         |                       |                         |         | INT14_1            |                  |                |
|         |                       |                         |         | MDQM1_0            |                  |                |
| 171     | 115                   | 115                     | B3      | P61                | N                | I              |
|         |                       |                         |         | UHCONX0            |                  |                |
|         |                       |                         |         | RTCCO_0            |                  |                |
|         |                       |                         |         | SUBOUT_0           |                  |                |
|         |                       |                         |         | SOT4_0<br>(SDA4_0) |                  |                |
|         |                       |                         |         | MDQM0_0            |                  |                |
| 172     | 116                   | 116                     | B2      | P60                | I                | Q              |
|         |                       |                         |         | WKUP3              |                  |                |
|         |                       |                         |         | SIN4_0             |                  |                |
|         |                       |                         |         | INT15_1            |                  |                |
|         |                       |                         |         | MALE_0             |                  |                |
| 173     | 117                   | 117                     | A4      | VCC                | —                | —              |
| 174     | 118                   | 118                     | A3      | P80                | H                | R              |
|         |                       |                         |         | UDM0               |                  |                |
| 175     | 119                   | 119                     | A2      | P81                | H                | R              |
|         |                       |                         |         | UDP0               |                  |                |
| 176     | 120                   | 120                     | B1      | VSS                | —                | —              |

| Pin No. |                       |                         |  | Pin name | I/O circuit type | Pin state type |
|---------|-----------------------|-------------------------|--|----------|------------------|----------------|
| LQFP176 | LQFP120<br>Ex-LQFP120 | LQFP120<br>(S6E2D35GJA) | FBGA161  |          |                  |                |
| —       | —                     | —                       | A1, A5, A10,<br>A13, D5, D6,<br>D7, D8, E5,<br>E6, E7, E8,<br>E9, F5, F6,<br>F9, G4, G5,<br>G9, H4, H5,<br>H9, J4, J5,<br>J6, J7, J8,<br>J9, J10, K4,<br>K6, K10, L6,<br>M6, M7, M10,<br>N1, N6, N8,<br>N10, N13 | VSS      | —                | —              |

## Signal Description

The number after the underscore ("\_") in pin names such as XXX\_1 and XXX\_2 indicates the relocated port number. For these pins, there are multiple pins that provide the same function for the same channel.

Use the extended port function register (EPFR) to select the pin.

| Module          | Pin Name | Function   | Pin No. |                       |                             |         |
|-----------------|----------|--|---------|-----------------------|-----------------------------|---------|
|                 |          |  | LQFP176 | LQFP120<br>Ex-LQFP120 | LQFP120<br>(S6E2D35GJ<br>A) | FBGA161 |
| ADC             | ADTG_0   | A/D converter external trigger input pin                     | 27      | 17                    | 17                          | F1      |
|                 | ADTG_1   |  | 64      | 42                    | 42                          | N5      |
|                 | ADTG_2   |  | 12      | 8                     | 8                           | E4      |
|                 | ADTG_3   |  | 165     | 113                   | 113                         | C4      |
|                 | AN00     | A/D converter analog input pin.<br>ANxx describes ADC ch.xx. | 100     | 66                    | 66                          | K11     |
|                 | AN01     |  | 101     | 67                    | 67                          | J11     |
|                 | AN02     |  | 102     | 68                    | 68                          | H10     |
|                 | AN03     |  | 103     | 69                    | 69                          | H11     |
|                 | AN04     |  | 104     | 70                    | 70                          | H12     |
|                 | AN05     |  | 105     | 71                    | 71                          | H13     |
|                 | AN06     |  | 106     | 72                    | 72                          | G10     |
|                 | AN07     |  | 107     | 73                    | 73                          | G11     |
|                 | AN08     |  | 108     | 74                    | 74                          | G12     |
|                 | AN09     |  | 109     | 75                    | 75                          | G13     |
|                 | AN10     |  | 110     | 76                    | 76                          | F10     |
|                 | AN11     |  | 111     | 77                    | 77                          | F11     |
|                 | AN12     |  | 116     | 78                    | 78                          | F12     |
|                 | AN13     |  | 117     | 79                    | 79                          | F13     |
|                 | AN14     |  | 118     | 80                    | 80                          | E10     |
|                 | AN15     |  | 119     | 81                    | 81                          | E11     |
|                 | AN16     |  | 120     | 82                    | 82                          | E12     |
|                 | AN17     |  | 121     | 83                    | 83                          | E13     |
|                 | AN18     |  | 122     | 84                    | 84                          | D10     |
|                 | AN19     |  | 123     | 85                    | 85                          | D11     |
|                 | AN20     |  | 124     | 86                    | 86                          | D12     |
| AN21            | 125      |  | 87      | 87                    | D13                         |         |
| AN22            | 130      |  | 88      | 88                    | C12                         |         |
| AN23            | 131      |  | 89      | 89                    | C13                         |         |
| Base Timer<br>0 | TIOA0_0  | Base Timer ch.0 TIOA Pin                                     | 100     | 66                    | 66                          | K11     |
|                 | TIOA0_1  |  | 6       | 2                     | 2                           | C3      |
|                 | TIOB0_0  | Base Timer ch.0 TIOB Pin                                     | 101     | 67                    | 67                          | J11     |
|                 | TIOB0_1  |  | 66      | 44                    | 44                          | L7      |
| Base Timer<br>1 | TIOA1_0  | Base Timer ch.1 TIOA Pin                                     | 102     | 68                    | 68                          | H10     |
|                 | TIOA1_1  |  | 7       | 3                     | 3                           | C2      |
|                 | TIOB1_0  | Base Timer ch.1 TIOB Pin                                     | 103     | 69                    | 69                          | H11     |
|                 | TIOB1_1  |  | 67      | 45                    | 45                          | K8      |

| Module          | Pin Name | Function  | Pin No. |                       |                             |         |
|-----------------|----------|---|---------|-----------------------|-----------------------------|---------|
|                 |          |   | LQFP176 | LQFP120<br>Ex-LQFP120 | LQFP120<br>(S6E2D35GJ<br>A) | FBGA161 |
| Base Timer<br>2 | TIOA2_0  | Base Timer ch.2 TIOA Pin                            | 104     | 70                    | 70                          | H12     |
|                 | TIOA2_1  |   | 8       | 4                     | 4                           | D3      |
|                 | TIOB2_0  | Base Timer ch.2 TIOB Pin                            | 105     | 71                    | 71                          | H13     |
|                 | TIOB2_1  |   | 68      | 46                    | 46                          | L8      |
| Base Timer<br>3 | TIOA3_0  | Base Timer ch.3 TIOA Pin                            | 106     | 72                    | 72                          | G10     |
|                 | TIOA3_1  |   | 9       | 5                     | 5                           | D2      |
|                 | TIOB3_0  | Base Timer ch.3 TIOB Pin                            | 107     | 73                    | 73                          | G11     |
|                 | TIOB3_1  |   | 69      | 47                    | 47                          | K9      |
| Base Timer<br>4 | TIOA4_0  | Base Timer ch.4 TIOA Pin                            | 108     | 74                    | 74                          | G12     |
|                 | TIOA4_1  |   | 10      | 6                     | 6                           | D1      |
|                 | TIOB4_0  | Base Timer ch.4 TIOB Pin                            | 109     | 75                    | 75                          | G13     |
|                 | TIOB4_1  |   | 70      | 48                    | 48                          | L9      |
| Base Timer<br>5 | TIOA5_0  | Base Timer ch.5 TIOA Pin                            | 110     | 76                    | 76                          | F10     |
|                 | TIOA5_1  |   | 11      | 7                     | 7                           | D4      |
|                 | TIOB5_0  | Base Timer ch.5 TIOB Pin                            | 111     | 77                    | 77                          | F11     |
|                 | TIOB5_1  |   | 71      | 49                    | 49                          | L10     |
| Base Timer<br>6 | TIOA6_0  | Base Timer ch.6 TIOA Pin                            | 116     | 78                    | 78                          | F12     |
|                 | TIOA6_1  |   | 53      | 35                    | 35                          | M4      |
|                 | TIOB6_0  | Base Timer ch.6 TIOB Pin                            | 117     | 79                    | 79                          | F13     |
|                 | TIOB6_1  |   | 54      | 36                    | 36                          | K5      |
| Base Timer<br>7 | TIOA7_0  | Base Timer ch.7 TIOA Pin                            | 118     | 80                    | 80                          | E10     |
|                 | TIOA7_1  |   | 154     | 102                   | 102                         | C8      |
|                 | TIOB7_0  | Base Timer ch.7 TIOB Pin                            | 119     | 81                    | 81                          | E11     |
|                 | TIOB7_1  |   | 155     | 103                   | 103                         | B8      |
| Debugger        | SWCLK    | Serial wire debug interface clock input pin         | 140     | 93                    | 93                          | A11     |
|                 | SWDIO    | Serial wire debug interface data input / output pin | 142     | 95                    | 95                          | B11     |
|                 | SWO      | Serial wire viewer output pin                       | 143     | 96                    | 96                          | B10     |
|                 | TCK      | JTAG test clock input pin                           | 140     | 93                    | 93                          | A11     |
|                 | TDI      | JTAG test data input pin                            | 141     | 94                    | 94                          | C11     |
|                 | TDO      | JTAG debug data output pin                          | 143     | 96                    | 96                          | B10     |
|                 | TMS      | JTAG test mode state output pin                     | 142     | 95                    | 95                          | B11     |
|                 | TRACECLK | Trace CLK output pin of ETM                         | 120     | 82                    | 82                          | E12     |
|                 | TRACED0  | Trace data output pin of ETM                        | 121     | 83                    | 83                          | E13     |
|                 | TRACED1  |   | 122     | 84                    | 84                          | D10     |
|                 | TRACED2  |   | 123     | 85                    | 85                          | D11     |
|                 | TRACED3  |   | 124     | 86                    | 86                          | D12     |
|                 | TRSTX    | JTAG test reset Input pin                           | 139     | 92                    | 92                          | B12     |



| Module       | Pin Name    | Function                                      | Pin No. |                       |                             |         |
|--------------|-------------|---|---------|-----------------------|-----------------------------|---------|
|              |             |   | LQFP176 | LQFP120<br>Ex-LQFP120 | LQFP120<br>(S6E2D35GJ<br>A) | FBGA161 |
| External Bus | MAD00_0     | External bus interface address bus            | 63      | 41                    | 41                          | M5      |
|              | MAD01_0     |   | 55      | 37                    | 37                          | L5      |
|              | MAD02_0     |   | 54      | 36                    | 36                          | K5      |
|              | MAD03_0     |   | 53      | 35                    | 35                          | M4      |
|              | MAD04_0     |   | 52      | 34                    | 34                          | L4      |
|              | MAD05_0     |   | 51      | 33                    | 33                          | M3      |
|              | MAD06_0     |   | 10      | 6                     | 6                           | D1      |
|              | MAD07_0     |   | 9       | 5                     | 5                           | D2      |
|              | MAD08_0     |   | 8       | 4                     | 4                           | D3      |
|              | MAD09_0     |   | 7       | 3                     | 3                           | C2      |
|              | MAD10_0     |   | 6       | 2                     | 2                           | C3      |
|              | MAD11_0     |   | 156     | 104                   | 104                         | A8      |
|              | MAD12_0     |   | 155     | 103                   | 103                         | B8      |
|              | MAD13_0     |   | 154     | 102                   | 102                         | C8      |
|              | MAD14_0     |   | 153     | 101                   | 101                         | A9      |
|              | MAD15_0     |   | 152     | 100                   | 100                         | B9      |
|              | MAD16_0     |   | 151     | 99                    | 99                          | C9      |
|              | MAD17_0     |   | 150     | 98                    | 98                          | D9      |
|              | MAD18_0     |   | 149     | 97                    | 97                          | C10     |
|              | MAD19_0     |   | 125     | 87                    | 87                          | D13     |
|              | MAD20_0     |   | 124     | 86                    | 86                          | D12     |
|              | MAD21_0     |   | 123     | 85                    | 85                          | D11     |
|              | MAD22_0     |   | 122     | 84                    | 84                          | D10     |
|              | MAD23_0     |   | 121     | 83                    | 83                          | E13     |
|              | MAD24_0     | 141   | 94      | 94                    | C11                         |         |
|              | MCSX0_0     | External bus interface chip select output pin | 65      | 43                    | 43                          | K7      |
|              | MCSX8_0     |   | 158     | 106                   | 106                         | B7      |
|              | MADATAA00_0 | External bus interface data bus               | 100     | 66                    | 66                          | K11     |
|              | MADATAA01_0 |   | 101     | 67                    | 67                          | J11     |
|              | MADATAA02_0 |   | 102     | 68                    | 68                          | H10     |
|              | MADATAA03_0 |   | 103     | 69                    | 69                          | H11     |
|              | MADATAA04_0 |   | 104     | 70                    | 70                          | H12     |
|              | MADATAA05_0 |   | 105     | 71                    | 71                          | H13     |
|              | MADATAA06_0 |   | 106     | 72                    | 72                          | G10     |
|              | MADATAA07_0 |   | 107     | 73                    | 73                          | G11     |
| MADATAA08_0  | 108         |   | 74      | 74                    | G12                         |         |
| MADATAA09_0  | 109         |   | 75      | 75                    | G13                         |         |
| MADATAA10_0  | 110         |   | 76      | 76                    | F10                         |         |
| MADATAA11_0  | 111         |   | 77      | 77                    | F11                         |         |
| MADATAA12_0  | 116         |   | 78      | 78                    | F12                         |         |
| MADATAA13_0  | 117         |   | 79      | 79                    | F13                         |         |
| MADATAA14_0  | 118         |   | 80      | 80                    | E10                         |         |
| MADATAA15_0  | 119         | 81  | 81      | E11                   |                             |         |

| Module             | Pin Name                                | Function  | Pin No. |                       |                             |         |
|--------------------|---|---|---------|-----------------------|-----------------------------|---------|
|                    |   |   | LQFP176 | LQFP120<br>Ex-LQFP120 | LQFP120<br>(S6E2D35GJ<br>A) | FBGA161 |
| External Bus       | MDQM0_0                                 | External bus interface byte mask signal output pin                          | 171     | 115                   | 115                         | B3      |
|                    | MDQM1_0                                 |   | 170     | 114                   | 114                         | B4      |
|                    | MALE_0                                  | External bus interface Address Latch enable output signal for multiplex     | 172     | 116                   | 116                         | B2      |
|                    | MRDY_0                                  | External bus interface external RDY input signal                            | 64      | 42                    | 42                          | N5      |
|                    | MCLKOUT_0                               | External bus interface external clock output pin                            | 120     | 82                    | 82                          | E12     |
|                    | MNALE_0                                 | External bus interface ALE signal to control NAND Flash output pin          | 120     | 82                    | 82                          | E12     |
|                    | MNCLE_0                                 | External bus interface CLE signal to control NAND Flash output pin          | 121     | 83                    | 83                          | E13     |
|                    | MNREX_0                                 | External bus interface read enable signal to control NAND Flash output pin  | 123     | 85                    | 85                          | D11     |
|                    | MNWEX_0                                 | External bus interface write enable signal to control NAND Flash output pin | 122     | 84                    | 84                          | D10     |
|                    | MOEX_0                                  | External bus interface read enable signal for SRAM                          | 12      | 8                     | 8                           | E4      |
|                    | MWEX_0                                  | External bus interface write enable signal for SRAM                         | 11      | 7                     | 7                           | D4      |
|                    | MSDCLK_0                                | SDRAM interface SDRAM clock output pin                                      | 160     | 108                   | 108                         | C6      |
|                    | MSDCKE_0                                | SDRAM interface SDRAM clock enable pin                                      | 161     | 109                   | 109                         | B6      |
|                    | MRASX_0                                 | SDRAM interface SDRAM row active strobe pin                                 | 130     | 88                    | 88                          | C12     |
|                    | MCASX_0                                 | SDRAM interface SDRAM column active strobe pin                              | 131     | 89                    | 89                          | C13     |
| MSDWEX_0           | SDRAM interface SDRAM write enable pin  | 157   | 105     | 105                   | C7                          |         |
| External Interrupt | INT00_0                                 | External interrupt request 00 input pin                                     | 36      | 22                    | -                           | H2      |
|                    | INT00_1                                 |   | 19      | 9                     | 9                           | E3      |
|                    | INT01_0                                 | External interrupt request 01 input pin                                     | 37      | 23                    | -                           | H3      |
|                    | INT01_1                                 |   | 22      | 12                    | 12                          | F4      |
|                    | INT02_0                                 | External interrupt request 02 input pin                                     | 38      | 24                    | -                           | J2      |
|                    | INT02_1                                 |   | 25      | 15                    | 15                          | F3      |
|                    | INT03_0                                 | External interrupt request 03 input pin                                     | 39      | 25                    | -                           | J3      |
|                    | INT03_1                                 |   | 26      | 16                    | 16                          | F2      |
|                    | INT04_0                                 | External interrupt request 04 input pin                                     | 40      | 26                    | -                           | K2      |
|                    | INT04_1                                 |   | 6       | 2                     | 2                           | C3      |
|                    | INT05_0                                 | External interrupt request 05 input pin                                     | 41      | 27                    | 27                          | K3      |
|                    | INT05_1                                 |   | 7       | 3                     | 3                           | C2      |
|                    | INT06_0                                 | External interrupt request 06 input pin                                     | 42      | 28                    | 28                          | L2      |
|                    | INT06_1                                 |   | 8       | 4                     | 4                           | D3      |
|                    | INT07_0                                 | External interrupt request 07 input pin                                     | 43      | 29                    | 29                          | L3      |
|                    | INT07_1                                 |   | 9       | 5                     | 5                           | D2      |
|                    | INT08_0                                 | External interrupt request 08 input pin                                     | 52      | 34                    | 34                          | L4      |
|                    | INT08_1                                 |   | 120     | 82                    | 82                          | E12     |
| INT09_0            | External interrupt request 09 input pin | 100   | 66      | 66                    | K11                         |         |
| INT09_1            |   | 123   | 85      | 85                    | D11                         |         |

| Module             | Pin Name | Function                                | Pin No. |                       |                             |         |
|--------------------|----------|---|---------|-----------------------|-----------------------------|---------|
|                    |          |   | LQFP176 | LQFP120<br>Ex-LQFP120 | LQFP120<br>(S6E2D35GJ<br>A) | FBGA161 |
| External Interrupt | INT10_0  | External interrupt request 10 input pin | 103     | 69                    | 69                          | H11     |
|                    | INT10_1  |   | 149     | 97                    | 97                          | C10     |
|                    | INT11_0  | External interrupt request 11 input pin | 105     | 71                    | 71                          | H13     |
|                    | INT11_1  |   | 151     | 99                    | 99                          | C9      |
|                    | INT12_0  | External interrupt request 12 input pin | 106     | 72                    | 72                          | G10     |
|                    | INT12_1  |   | 154     | 102                   | 102                         | C8      |
|                    | INT13_0  | External interrupt request 13 input pin | 109     | 75                    | 75                          | G13     |
|                    | INT13_1  |   | 162     | 110                   | 110                         | A6      |
|                    | INT14_0  | External interrupt request 14 input pin | 116     | 78                    | 78                          | F12     |
|                    | INT14_1  |   | 170     | 114                   | 114                         | B4      |
|                    | INT15_0  | External interrupt request 15 input pin | 117     | 79                    | 79                          | F13     |
|                    | INT15_1  |   | 172     | 116                   | 116                         | B2      |
|                    | NMIX     | Non-Maskable Interrupt input pin        | 46      | 32                    | 32                          | M2      |
| GPIO               | P00      | General-purpose I/O port 0              | 139     | 92                    | 92                          | B12     |
|                    | P01      |   | 140     | 93                    | 93                          | A11     |
|                    | P02      |   | 141     | 94                    | 94                          | C11     |
|                    | P03      |   | 142     | 95                    | 95                          | B11     |
|                    | P04      |   | 143     | 96                    | 96                          | B10     |
|                    | P05      |   | 149     | 97                    | 97                          | C10     |
|                    | P06      |   | 150     | 98                    | 98                          | D9      |
|                    | P07      |   | 151     | 99                    | 99                          | C9      |
|                    | P08      |   | 152     | 100                   | 100                         | B9      |
|                    | P09      |   | 153     | 101                   | 101                         | A9      |
|                    | P0A      |   | 154     | 102                   | 102                         | C8      |
|                    | P0B      |   | 155     | 103                   | 103                         | B8      |
|                    | P0C      |   | 156     | 104                   | 104                         | A8      |
|                    | P0D      |   | 157     | 105                   | 105                         | C7      |
|                    | P0E      |   | 158     | 106                   | 106                         | B7      |
|                    | P10      | General-purpose I/O port 1              | 100     | 66                    | 66                          | K11     |
|                    | P11      |   | 101     | 67                    | 67                          | J11     |
|                    | P12      |   | 102     | 68                    | 68                          | H10     |
|                    | P13      |   | 103     | 69                    | 69                          | H11     |
|                    | P14      |   | 104     | 70                    | 70                          | H12     |
|                    | P15      |   | 105     | 71                    | 71                          | H13     |
|                    | P16      |   | 106     | 72                    | 72                          | G10     |
|                    | P17      |   | 107     | 73                    | 73                          | G11     |
|                    | P18      |   | 108     | 74                    | 74                          | G12     |
|                    | P19      |   | 109     | 75                    | 75                          | G13     |
|                    | P1A      |   | 110     | 76                    | 76                          | F10     |
|                    | P1B      |   | 111     | 77                    | 77                          | F11     |
|                    | P1C      |   | 116     | 78                    | 78                          | F12     |
|                    | P1D      |   | 117     | 79                    | 79                          | F13     |
|                    | P1E      |   | 118     | 80                    | 80                          | E10     |
| P1F                | 119      | 81                                      | 81      | E11                   |                             |         |

| Module | Pin Name                   | Function                   | Pin No. |                       |                             |         |
|--------|----------------------------|----------------------------|---------|-----------------------|-----------------------------|---------|
|        |                            |                            | LQFP176 | LQFP120<br>Ex-LQFP120 | LQFP120<br>(S6E2D35GJ<br>A) | FBGA161 |
| GPIO   | P20                        | General-purpose I/O port 2 | 46      | 32                    | 32                          | M2      |
|        | P21                        |                            | 51      | 33                    | 33                          | M3      |
|        | P22                        |                            | 52      | 34                    | 34                          | L4      |
|        | P23                        |                            | 53      | 35                    | 35                          | M4      |
|        | P24                        |                            | 54      | 36                    | 36                          | K5      |
|        | P25                        |                            | 55      | 37                    | 37                          | L5      |
|        | P26                        |                            | 63      | 41                    | 41                          | M5      |
|        | P27                        |                            | 64      | 42                    | 42                          | N5      |
|        | P33                        | General-purpose I/O port 3 | 19      | 9                     | 9                           | E3      |
|        | P34                        |                            | 20      | 10                    | 10                          | E2      |
|        | P35                        |                            | 21      | 11                    | 11                          | E1      |
|        | P36                        |                            | 22      | 12                    | 12                          | F4      |
|        | P37                        |                            | 25      | 15                    | 15                          | F3      |
|        | P38                        |                            | 26      | 16                    | 16                          | F2      |
|        | P39                        |                            | 27      | 17                    | 17                          | F1      |
|        | P3A                        |                            | 28      | 18                    | 18                          | G3      |
|        | P3B                        |                            | 6       | 2                     | 2                           | C3      |
|        | P3C                        |                            | 7       | 3                     | 3                           | C2      |
|        | P3D                        |                            | 8       | 4                     | 4                           | D3      |
|        | P3E                        |                            | 9       | 5                     | 5                           | D2      |
|        | P3F                        | 10                         | 6       | 6                     | D1                          |         |
|        | P46                        | General-purpose I/O port 4 | 79      | 51                    | 51                          | N7      |
|        | P47                        |                            | 80      | 52                    | 52                          | N9      |
|        | P48                        |                            | 82      | 54                    | 54                          | L11     |
|        | P49                        |                            | 83      | 55                    | 55                          | L12     |
|        | P50                        | General-purpose I/O port 5 | 65      | 43                    | 43                          | K7      |
|        | P51                        |                            | 66      | 44                    | 44                          | L7      |
|        | P52                        |                            | 67      | 45                    | 45                          | K8      |
|        | P53                        |                            | 68      | 46                    | 46                          | L8      |
|        | P54                        |                            | 69      | 47                    | 47                          | K9      |
|        | P55                        |                            | 70      | 48                    | 48                          | L9      |
|        | P56                        | 71                         | 49      | 49                    | L10                         |         |
| P60    | General-purpose I/O port 6 | 172                        | 116     | 116                   | B2                          |         |
| P61    |                            | 171                        | 115     | 115                   | B3                          |         |
| P62    |                            | 170                        | 114     | 114                   | B4                          |         |
| P63    |                            | 165                        | 113     | 113                   | C4                          |         |
| P64    |                            | 164                        | 112     | 112                   | B5                          |         |
| P65    |                            | 163                        | 111     | 111                   | C5                          |         |
| P66    |                            | 162                        | 110     | 110                   | A6                          |         |
| P67    |                            | 161                        | 109     | 109                   | B6                          |         |
| P68    |                            | 160                        | 108     | 108                   | C6                          |         |

| Module | Pin Name | Function                   | Pin No.                    |                       |                             |         |
|--------|----------|----------------------------|----------------------------|-----------------------|-----------------------------|---------|
|        |          |                            | LQFP176                    | LQFP120<br>Ex-LQFP120 | LQFP120<br>(S6E2D35GJ<br>A) | FBGA161 |
| GPIO   | P70      | General-purpose I/O port 7 | 34                         | 20                    | —                           | J1      |
|        | P71      |                            | 35                         | 21                    | —                           | K1      |
|        | P72      |                            | 36                         | 22                    | —                           | H2      |
|        | P73      |                            | 37                         | 23                    | —                           | H3      |
|        | P74      |                            | 38                         | 24                    | —                           | J2      |
|        | P75      |                            | 39                         | 25                    | —                           | J3      |
|        | P76      |                            | 40                         | 26                    | —                           | K2      |
|        | P77      |                            | 41                         | 27                    | 27                          | K3      |
|        | P78      |                            | 42                         | 28                    | 28                          | L2      |
|        | P79      |                            | 43                         | 29                    | 29                          | L3      |
|        | P7A      |                            | 33                         | 19                    | —                           | G2      |
|        | P7B      |                            | 12                         | 8                     | 8                           | E4      |
|        | P7C      |                            | 11                         | 7                     | 7                           | D4      |
|        | P80      |                            | General-purpose I/O port 8 | 174                   | 118                         | 118     |
|        | P81      | 175                        |                            | 119                   | 119                         | A2      |
|        | P90      | General-purpose I/O port 9 | 120                        | 82                    | 82                          | E12     |
|        | P91      |                            | 121                        | 83                    | 83                          | E13     |
|        | P92      |                            | 122                        | 84                    | 84                          | D10     |
|        | P93      |                            | 123                        | 85                    | 85                          | D11     |
|        | P94      |                            | 124                        | 86                    | 86                          | D12     |
|        | P95      |                            | 125                        | 87                    | 87                          | D13     |
|        | P96      |                            | 130                        | 88                    | 88                          | C12     |
|        | P97      |                            | 131                        | 89                    | 89                          | C13     |
|        | PA0      | General-purpose I/O port A | 2                          | —                     | —                           | —       |
|        | PA1      |                            | 3                          | —                     | —                           | —       |
|        | PA2      |                            | 4                          | —                     | —                           | —       |
|        | PA3      |                            | 5                          | —                     | —                           | —       |
|        | PA4      |                            | 29                         | —                     | —                           | —       |
|        | PA5      |                            | 30                         | —                     | —                           | —       |
|        | PA6      |                            | 31                         | —                     | —                           | —       |
|        | PA7      |                            | 32                         | —                     | —                           | —       |
|        | PA8      |                            | 13                         | —                     | —                           | —       |
|        | PA9      |                            | 14                         | —                     | —                           | —       |
| PAA    | 15       |                            | —                          | —                     | —                           |         |
| PAB    | 16       |                            | —                          | —                     | —                           |         |
| PAC    | 17       |                            | —                          | —                     | —                           |         |
| PAD    | 18       | —                          | —                          | —                     |                             |         |

| Module | Pin Name | Function                   | Pin No.                    |                       |                             |         |
|--------|----------|----------------------------|----------------------------|-----------------------|-----------------------------|---------|
|        |          |                            | LQFP176                    | LQFP120<br>Ex-LQFP120 | LQFP120<br>(S6E2D35GJ<br>A) | FBGA161 |
| GPIO   | PB0      | General-purpose I/O port B | 47                         | -                     | -                           | -       |
|        | PB1      |                            | 48                         | -                     | -                           | -       |
|        | PB2      |                            | 49                         | -                     | -                           | -       |
|        | PB3      |                            | 50                         | -                     | -                           | -       |
|        | PB4      |                            | 56                         | -                     | -                           | -       |
|        | PB5      |                            | 57                         | -                     | -                           | -       |
|        | PB6      |                            | 58                         | -                     | -                           | -       |
|        | PB7      |                            | 59                         | -                     | -                           | -       |
|        | PB8      |                            | 72                         | -                     | -                           | -       |
|        | PB9      |                            | 73                         | -                     | -                           | -       |
|        | PBA      |                            | 74                         | -                     | -                           | -       |
|        | PBB      |                            | 75                         | -                     | -                           | -       |
|        | PBC      |                            | 76                         | -                     | -                           | -       |
|        | PBD      |                            | 77                         | -                     | -                           | -       |
|        | PC0      |                            | General-purpose I/O port C | 94                    | -                           | -       |
|        | PC1      | 95                         |                            | -                     | -                           | -       |
|        | PC2      | 96                         |                            | -                     | -                           | -       |
|        | PC3      | 97                         |                            | -                     | -                           | -       |
|        | PC4      | 98                         |                            | -                     | -                           | -       |
|        | PC5      | 99                         |                            | -                     | -                           | -       |
|        | PC6      | 112                        |                            | -                     | -                           | -       |
|        | PC7      | 113                        |                            | -                     | -                           | -       |
|        | PC8      | 114                        |                            | -                     | -                           | -       |
|        | PC9      | 115                        |                            | -                     | -                           | -       |
|        | PCA      | 126                        |                            | -                     | -                           | -       |
|        | PCB      | 127                        |                            | -                     | -                           | -       |
|        | PCC      | 128                        |                            | -                     | -                           | -       |
|        | PCD      | 129                        |                            | -                     | -                           | -       |
|        | PD0      | General-purpose I/O port D |                            | 134                   | -                           | -       |
|        | PD1      |                            | 135                        | -                     | -                           | -       |
|        | PD2      |                            | 136                        | -                     | -                           | -       |
|        | PD3      |                            | 137                        | -                     | -                           | -       |
|        | PD4      |                            | 138                        | -                     | -                           | -       |
| PD5    | 144      |                            | -                          | -                     | -                           |         |
| PD6    | 145      |                            | -                          | -                     | -                           |         |
| PD7    | 146      |                            | -                          | -                     | -                           |         |
| PD8    | 147      |                            | -                          | -                     | -                           |         |
| PD9    | 148      |                            | -                          | -                     | -                           |         |
| PDA    | 166      |                            | -                          | -                     | -                           |         |
| PDB    | 167      |                            | -                          | -                     | -                           |         |
| PDC    | 168      |                            | -                          | -                     | -                           |         |
| PDD    | 169      |                            | -                          | -                     | -                           |         |

| Module                  | Pin Name           | Function   | Pin No. |                       |                             |         |
|-------------------------|--------------------|--|---------|-----------------------|-----------------------------|---------|
|                         |                    |  | LQFP176 | LQFP120<br>Ex-LQFP120 | LQFP120<br>(S6E2D35GJ<br>A) | FBGA161 |
| GPIO                    | PE0                | General-purpose I/O port E   | 84      | 56                    | 56                          | M12     |
|                         | PE2                |  | 86      | 58                    | 58                          | N11     |
|                         | PE3                |  | 87      | 59                    | 59                          | N12     |
| Multi-function serial 0 | SIN0_0             | Multi-function serial interface ch.0 input pin   | 52      | 34                    | 34                          | L4      |
|                         | SIN0_1             |  | 120     | 82                    | 82                          | E12     |
|                         | SOT0_0<br>(SDA0_0) | Multi-function serial interface ch.0 output pin<br>This pin operates as SOT0 when it is used in a UART/CSIO/LIN (operation modes 0 to 3) and as SDA0 when it is used in an I <sup>2</sup> C (operation mode 4).  | 53      | 35                    | 35                          | M4      |
|                         | SOT0_1<br>(SDA0_1) |  | 121     | 83                    | 83                          | E13     |
|                         | SCK0_0<br>(SCL0_0) | Multi-function serial interface ch.0 clock I/O pin.<br>This pin operates as SCK0 when it is used in a CSIO (operation mode 2) and as SCL0 when it is used in an I <sup>2</sup> C (operation mode 4)              | 54      | 36                    | 36                          | K5      |
|                         | SCK0_1<br>(SCL0_1) |  | 122     | 84                    | 84                          | D10     |
| Multi-function serial 1 | SIN1_0             | Multi-function serial interface ch.1 input pin   | 100     | 66                    | 66                          | K11     |
|                         | SIN1_1             |  | 123     | 85                    | 85                          | D11     |
|                         | SOT1_0<br>(SDA1_0) | Multi-function serial interface ch.1 output pin<br>This pin operates as SOT1 when it is used in a UART/CSIO/LIN(operation modes 0 to 3) and as SDA1 when it is used in an I <sup>2</sup> C (operation mode 4).   | 101     | 67                    | 67                          | J11     |
|                         | SOT1_1<br>(SDA1_1) |  | 124     | 86                    | 86                          | D12     |
|                         | SCK1_0<br>(SCL1_0) | Multi-function serial interface ch.1 clock I/O pin.<br>This pin operates as SCK1 when it is used in a CSIO (operation mode 2) and as SCL1 when it is used in an I <sup>2</sup> C (operation mode 4).             | 102     | 68                    | 68                          | H10     |
|                         | SCK1_1<br>(SCL1_1) |  | 125     | 87                    | 87                          | D13     |
| Multi-function serial 2 | SIN2_0             | Multi-function serial interface ch.2 input pin   | 103     | 69                    | 69                          | H11     |
|                         | SIN2_1             |  | 151     | 99                    | 99                          | C9      |
|                         | SOT2_0<br>(SDA2_0) | Multi-function serial interface ch.2 output pin<br>This pin operates as SOT2 when it is used in a UART/CSIO/LIN (operation mode 0 to 3) and as SDA2 when it is used in an I <sup>2</sup> C (operation mode 4).   | 104     | 70                    | 70                          | H12     |
|                         | SOT2_1<br>(SDA2_1) |  | 152     | 100                   | 100                         | B9      |
|                         | SCK2_0<br>(SCL2_0) | Multi-function serial interface ch.2 clock I/O Pin.<br>This pin operates as SCK2 when it is used in a CSIO (operation mode 2) and as SCL2 when it is used in an I <sup>2</sup> C (operation mode 4).             | 105     | 71                    | 71                          | H13     |
|                         | SCK2_1<br>(SCL2_1) |  | 153     | 101                   | 101                         | A9      |
| Multi-function serial 3 | SIN3_0             | Multi-function serial interface ch.3 input pin   | 106     | 72                    | 72                          | G10     |
|                         | SIN3_1             |  | 162     | 110                   | 110                         | A6      |
|                         | SOT3_0<br>(SDA3_0) | Multi-function serial interface ch.3 output pin.<br>This pin operates as SOT3 when it is used in a UART/CSIO/LIN (operation modes 0 to 3) and as SDA3 when it is used in an I <sup>2</sup> C (operation mode 4). | 107     | 73                    | 73                          | G11     |
|                         | SOT3_1<br>(SDA3_1) |  | 161     | 109                   | 109                         | B6      |
|                         | SCK3_0<br>(SCL3_0) | Multi-function serial interface ch.3 clock I/O pin.<br>This pin operates as SCK3 when it is used in a CSIO (operation mode 2) and as SCL3 when it is used in an I <sup>2</sup> C (operation mode 4).             | 108     | 74                    | 74                          | G12     |
|                         | SCK3_1<br>(SCL3_1) |  | 160     | 108                   | 108                         | C6      |

| Module                  | Pin Name           | Function  | Pin No. |                       |                             |         |
|-------------------------|--------------------|---|---------|-----------------------|-----------------------------|---------|
|                         |                    |   | LQFP176 | LQFP120<br>Ex-LQFP120 | LQFP120<br>(S6E2D35GJ<br>A) | FBGA161 |
| Multi-function serial 4 | SIN4_0             | Multi-function serial interface ch.4 input pin  | 172     | 116                   | 116                         | B2      |
|                         | SOT4_0<br>(SDA4_0) | Multi-function serial interface ch.4 output pin. This pin operates as SOT4 when it is used in a UART/CSIO/LIN (operation modes 0 to 3) and as SDA4 when it is used in an I <sup>2</sup> C (operation mode 4). | 171     | 115                   | 115                         | B3      |
|                         | SCK4_0<br>(SCL4_0) | Multi-function serial interface ch.4 clock I/O pin. This pin operates as SCK4 when it is used in a CSIO (operation mode 2) and as SCL4 when it is used in an I <sup>2</sup> C (operation mode 4).             | 170     | 114                   | 114                         | B4      |
|                         | CTS4_0             | Multi-function serial interface ch.4 CTS input pin  | 164     | 112                   | 112                         | B5      |
|                         | RTS4_0             | Multi-function serial interface ch.4 RTS output pin   | 165     | 113                   | 113                         | C4      |
| Multi-function serial 5 | SIN5_0             | Multi-function serial interface ch.5 input pin  | 109     | 75                    | 75                          | G13     |
|                         | SIN5_1             |   | 154     | 102                   | 102                         | C8      |
|                         | SOT5_0<br>(SDA5_0) | Multi-function serial interface ch.5 output pin. This pin operates as SOT5 when it is used in a UART/CSIO/LIN (operation modes 0 to 3) and as SDA5 when it is used in an I <sup>2</sup> C (operation mode 4). | 110     | 76                    | 76                          | F10     |
|                         | SOT5_1<br>(SDA5_1) |   | 155     | 103                   | 103                         | B8      |
|                         | SCK5_0<br>(SCL5_0) | Multi-function serial interface ch.5 clock I/O pin. This pin operates as SCK5 when it is used in a CSIO (operation mode 2) and as SCL5 when it is used in an I <sup>2</sup> C (operation mode 4).             | 111     | 77                    | 77                          | F11     |
|                         | SCK5_1<br>(SCL5_1) |   | 156     | 104                   | 104                         | A8      |
| Multi-function serial 6 | SIN6_0             | Multi-function serial interface ch.6 input pin  | 19      | 9                     | 9                           | E3      |
|                         | SIN6_1             |   | 117     | 79                    | 79                          | F13     |
|                         | SOT6_0<br>(SDA6_0) | Multi-function serial interface ch.6 output pin. This pin operates as SOT6 when it is used in a UART/CSIO/LIN (operation modes 0 to 3) and as SDA6 when it is used in an I <sup>2</sup> C (operation mode 4). | 20      | 10                    | 10                          | E2      |
|                         | SOT6_1<br>(SDA6_1) |   | 118     | 80                    | 80                          | E10     |
|                         | SCK6_0<br>(SCL6_0) | Multi-function serial interface ch.6 clock I/O pin. This pin operates as SCK6 when it is used in a CSIO (operation mode 2) and as SCL6 when it is used in an I <sup>2</sup> C (operation mode 4).             | 21      | 11                    | 11                          | E1      |
|                         | SCK6_1<br>(SCL6_1) |   | 119     | 81                    | 81                          | E11     |
|                         | SCS60_0            | Multi-function serial interface ch.6 chip select 0 input/output pin   | 22      | 12                    | 12                          | F4      |
|                         | SCS60_1            |   | 116     | 78                    | 78                          | F12     |



| Module                  | Pin Name             | Function  | Pin No.  |                       |                             |         |     |
|-------------------------|----------------------|---|--|-----------------------|-----------------------------|---------|-----|
|                         |                      |   | LQFP176  | LQFP120<br>Ex-LQFP120 | LQFP120<br>(S6E2D35GJ<br>A) | FBGA161 |     |
| Multi-function serial 7 | SIN7_0               | Multi-function serial interface ch.7 input pin  | 8  | 4                     | 4                           | D3      |     |
|                         | SOT7_0<br>(SDA7_0)   | Multi-function serial interface ch.7 output pin. This pin operates as SOT7 when it is used in a UART/CSIO/LIN (operation modes 0 to 3) and as SDA7 when it is used in an I <sup>2</sup> C (operation mode 4). | 9  | 5                     | 5                           | D2      |     |
|                         | SCK7_0<br>(SCL7_0)   | Multi-function serial interface ch.7 clock I/O pin. This pin operates as SCK7 when it is used in a CSIO (operation mode 2) and as SCL7 when it is used in an I <sup>2</sup> C (operation mode 4).             | 10   | 6                     | 6                           | D1      |     |
|                         | SCS70_0              | Multi-function serial interface ch.7 chip select 0 input/output pin   | 7  | 3                     | 3                           | C2      |     |
| Multi-function Timer 0  | DTTIOX_0             | Input signal controlling wave form generator outputs RTO00 to RTO05 of Multi-function timer 0.  | 27   | 17                    | 17                          | F1      |     |
|                         | DTTIOX_1             |   | 104  | 70                    | 70                          | H12     |     |
|                         | FRCK0_0              | 16-bit free-run timer ch.0 external clock input pin   | 20   | 10                    | 10                          | E2      |     |
|                         | FRCK0_1              |   | 103  | 69                    | 69                          | H11     |     |
|                         | IC00_0               | 16-bit input capture input pin of Multi-function timer 0. ICxx describes channel number.  | 26   | 16                    | 16                          | F2      |     |
|                         | IC00_1               |   | 105  | 71                    | 71                          | H13     |     |
|                         | IC01_0               |   | 25   | 15                    | 15                          | F3      |     |
|                         | IC01_1               |   | 106  | 72                    | 72                          | G10     |     |
|                         | IC02_0               |   | 22   | 12                    | 12                          | F4      |     |
|                         | IC02_1               |   | 107  | 73                    | 73                          | G11     |     |
|                         | IC03_0               |   | 21   | 11                    | 11                          | E1      |     |
|                         | IC03_1               |   | 108  | 74                    | 74                          | G12     |     |
|                         | RTO00_0<br>(PPG00_0) |   | Wave form generator output pin of Multi-function timer 0.        | 6                     | 2                           | 2       | C3  |
|                         | RTO00_1<br>(PPG00_1) |   | This pin operates as PPG00 when it is used in PPG0 output modes. | 109                   | 75                          | 75      | G13 |
|                         | RTO01_0<br>(PPG00_0) | Wave form generator output pin of Multi-function timer 0.   | 7  | 3                     | 3                           | C2      |     |
|                         | RTO01_1<br>(PPG00_1) | This pin operates as PPG00 when it is used in PPG0 output modes.  | 110  | 76                    | 76                          | F10     |     |
|                         | RTO02_0<br>(PPG02_0) | Wave form generator output pin of Multi-function timer 0.   | 8  | 4                     | 4                           | D3      |     |
|                         | RTO02_1<br>(PPG02_1) | This pin operates as PPG02 when it is used in PPG0 output modes.  | 111  | 77                    | 77                          | F11     |     |
|                         | RTO03_0<br>(PPG02_0) | Wave form generator output pin of Multi-function timer 0.   | 9  | 5                     | 5                           | D2      |     |
|                         | RTO03_1<br>(PPG02_1) | This pin operates as PPG02 when it is used in PPG0 output modes.  | 116  | 78                    | 78                          | F12     |     |

| Module  | Pin Name             | Function   | Pin No. |                       |                             |         |
|---|----------------------|--|---------|-----------------------|-----------------------------|---------|
|   |                      |  | LQFP176 | LQFP120<br>Ex-LQFP120 | LQFP120<br>(S6E2D35GJ<br>A) | FBGA161 |
| Multi-function<br>Timer 0                             | RTO04_0<br>(PPG04_0) | Wave form generator output pin of Multi-function timer 0.        | 10      | 6                     | 6                           | D1      |
|   | RTO04_1<br>(PPG04_1) | This pin operates as PPG04 when it is used in PPG0 output modes. | 117     | 79                    | 79                          | F13     |
|   | RTO05_0<br>(PPG04_0) | Wave form generator output pin of Multi-function timer 0.        | 11      | 7                     | 7                           | D4      |
|   | RTO05_1<br>(PPG04_1) | This pin operates as PPG04 when it is used in PPG0 output modes. | 118     | 80                    | 80                          | E10     |
| Quadrature<br>Position/<br>Revolution<br>Counter<br>0 | AIN0_0               | QPRC ch.0 AIN input pin  | 100     | 66                    | 66                          | K11     |
|   | AIN0_1               |  | 6       | 2                     | 2                           | C3      |
|   | AIN0_2               |  | 109     | 75                    | 75                          | G13     |
|   | BIN0_0               | QPRC ch.0 BIN input pin  | 101     | 67                    | 67                          | J11     |
|   | BIN0_1               |  | 7       | 3                     | 3                           | C2      |
|   | BIN0_2               |  | 110     | 76                    | 76                          | F10     |
|   | ZIN0_0               | QPRC ch.0 ZIN input pin  | 102     | 68                    | 68                          | H10     |
|   | ZIN0_1               |  | 8       | 4                     | 4                           | D3      |
| ZIN0_2  | 111                  |  | 77      | 77                    | F11                         |         |
| Real-time<br>clock                                    | RTCCO_0              | 0.5 seconds pulse output pin of Real-time clock                  | 171     | 115                   | 115                         | B3      |
|   | RTCCO_1              |  | 63      | 41                    | 41                          | M5      |
|   | SUBOUT_0             | Sub clock output pin   | 171     | 115                   | 115                         | B3      |
|   | SUBOUT_1             |  | 63      | 41                    | 41                          | M5      |
| USB0  | UDM0                 | USB ch.0 device/host D – pin                                     | 174     | 118                   | 118                         | A3      |
|   | UDP0                 | USB ch.0 device/host D + pin                                     | 175     | 119                   | 119                         | A2      |
|   | UHCONX0              | USB ch.0 external pull-up control pin                            | 171     | 115                   | 115                         | B3      |
| Low-Power<br>Consumption<br>Mode                      | WKUP0                | Deep standby mode return signal input pin 0                      | 46      | 32                    | 32                          | M2      |
|   | WKUP1                | Deep standby mode return signal input pin 1                      | 65      | 43                    | 43                          | K7      |
|   | WKUP2                | Deep standby mode return signal input pin 2                      | 158     | 106                   | 106                         | B7      |
|   | WKUP3                | Deep standby mode return signal input pin 3                      | 172     | 116                   | 116                         | B2      |
| VBAT  | VREGCTL              | On-board regulator control pin                                   | 82      | 54                    | 54                          | L11     |
|   | VWAKEUP              | The return signal input pin from a hibernation state             | 83      | 55                    | 55                          | L12     |

| Module                        | Pin Name                     | Function  | Pin No.                    |                       |                             |         |
|-------------------------------|------------------------------|---|----------------------------|-----------------------|-----------------------------|---------|
|                               |                              |   | LQFP176                    | LQFP120<br>Ex-LQFP120 | LQFP120<br>(S6E2D35GJ<br>A) | FBGA161 |
| I <sup>2</sup> S 0            | I2SMCLK0_0                   | I <sup>2</sup> S ch.0 external clock pin                | 6                          | 2                     | 2                           | C3      |
|                               | I2SDO0_0                     | I <sup>2</sup> S ch.0 serial transition data output pin | 7                          | 3                     | 3                           | C2      |
|                               | I2SWS0_0                     | I <sup>2</sup> S ch.0 frame synchronization signal pin  | 8                          | 4                     | 4                           | D3      |
|                               | I2SDI0_0                     | I <sup>2</sup> S ch.0 serial received data input pin    | 9                          | 5                     | 5                           | D2      |
|                               | I2SCK0_0                     | I <sup>2</sup> S ch.0 bit clock pin                     | 10                         | 6                     | 6                           | D1      |
| I <sup>2</sup> S 1            | I2SMCLK1_0                   | I <sup>2</sup> S ch.1 external clock pin                | 51                         | 33                    | 33                          | M3      |
|                               | I2SDO1_0                     | I <sup>2</sup> S ch.1 serial transition data output pin | 52                         | 34                    | 34                          | L4      |
|                               | I2SWS1_0                     | I <sup>2</sup> S ch.1 frame synchronization signal pin  | 53                         | 35                    | 35                          | M4      |
|                               | I2SDI1_0                     | I <sup>2</sup> S ch.1 serial received data input pin    | 54                         | 36                    | 36                          | K5      |
|                               | I2SCK1_0                     | I <sup>2</sup> S ch.1 bit clock pin                     | 55                         | 37                    | 37                          | L5      |
| GDC<br>High-Speed<br>Quad SPI | GE_SPCK                      | SPI clock output pin                                    | 34                         | 20                    | -                           | J1      |
|                               | GE_SPDQ0                     | SPI data input / output pin                             | 35                         | 21                    | -                           | K1      |
|                               | GE_SPDQ1                     |   | 38                         | 24                    | -                           | J2      |
|                               | GE_SPDQ2                     |   | 39                         | 25                    | -                           | J3      |
|                               | GE_SPDQ3                     |   | 36                         | 22                    | -                           | H2      |
|                               | GE_SPCSX0                    |   | SPI chip select output pin | 37                    | 23                          | -       |
| GDC<br>HyperBus I/F           | GE_HBCK                      | HBI clock output pin                                    | 34                         | 20                    | -                           | J1      |
|                               | GE_HBDQ0                     | HBI data input / output pin                             | 36                         | 22                    | -                           | H2      |
|                               | GE_HBDQ1                     |   | 37                         | 23                    | -                           | H3      |
|                               | GE_HBDQ2                     |   | 38                         | 24                    | -                           | J2      |
|                               | GE_HBDQ3                     |   | 39                         | 25                    | -                           | J3      |
|                               | GE_HBDQ4                     |   | 40                         | 26                    | -                           | K2      |
|                               | GE_HBDQ5                     |   | 41                         | 27                    | -                           | K3      |
|                               | GE_HBDQ6                     |   | 42                         | 28                    | -                           | L2      |
|                               | GE_HBDQ7                     |   | 43                         | 29                    | -                           | L3      |
|                               | GE_HBCSX0                    | HBI chip select output pin                              | 35                         | 21                    | -                           | K1      |
|                               | GE_HBCSX1                    |   | 12                         | 8                     | -                           | E4      |
|                               | GE_HBRWDS                    | HBI RWDS input / output pin                             | 33                         | 19                    | -                           | G2      |
|                               | GE_HBRESETX                  | HBI hardware reset output pin                           | 25                         | 15                    | -                           | F3      |
|                               | GE_HBINTX                    | HBI interrupt input pin                                 | 26                         | 16                    | -                           | F2      |
|                               | GE_HBRSTOX                   | HBI reset input pin                                     | 27                         | 17                    | -                           | F1      |
| GE_HBWPX                      | HBI write protect output pin | 28  | 18                         | -                     | G3                          |         |

| Module       | Pin Name    | Function  | Pin No. |                       |                             |         |
|--------------|-------------|---|---------|-----------------------|-----------------------------|---------|
|              |             |   | LQFP176 | LQFP120<br>Ex-LQFP120 | LQFP120<br>(S6E2D35GJ<br>A) | FBGA161 |
| GDC<br>Panel | PNL_DCLK    | GDC clock output pin  | 67      | 45                    | 45                          | K8      |
|              | PNL_DEN     | GDC data enable output pin (blanking signal)  | 68      | 46                    | 46                          | L8      |
|              | PNL_PWE     | GDC power enable control output pin   | 66      | 44                    | 44                          | L7      |
|              | PNL_LE      | GDC line end output pin   | 69      | 47                    | 47                          | K9      |
|              | PNL_LH_SYNC | GDC horizontal synchronization output pin   | 70      | 48                    | 48                          | L9      |
|              | PNL_FV_SYNC | GDC vertical synchronization output pin   | 71      | 49                    | 49                          | L10     |
|              | PNL_PD0     | GDC panel data output pin   | 165     | 113                   | 113                         | C4      |
|              | PNL_PD1     |   | 164     | 112                   | 112                         | B5      |
|              | PNL_PD2     |   | 163     | 111                   | 111                         | C5      |
|              | PNL_PD3     |   | 162     | 110                   | 110                         | A6      |
|              | PNL_PD4     |   | 161     | 109                   | 109                         | B6      |
|              | PNL_PD5     |   | 160     | 108                   | 108                         | C6      |
|              | PNL_PD6     |   | 158     | 106                   | 106                         | B7      |
|              | PNL_PD7     |   | 157     | 105                   | 105                         | C7      |
|              | PNL_PD8     |   | 156     | 104                   | 104                         | A8      |
|              | PNL_PD9     |   | 155     | 103                   | 103                         | B8      |
|              | PNL_PD10    |   | 154     | 102                   | 102                         | C8      |
|              | PNL_PD11    |   | 153     | 101                   | 101                         | A9      |
|              | PNL_PD12    |   | 152     | 100                   | 100                         | B9      |
|              | PNL_PD13    |   | 151     | 99                    | 99                          | C9      |
|              | PNL_PD14    |   | 150     | 98                    | 98                          | D9      |
|              | PNL_PD15    |   | 149     | 97                    | 97                          | C10     |
|              | PNL_PD16    |   | 131     | 89                    | 89                          | C13     |
|              | PNL_PD17    |   | 130     | 88                    | 88                          | C12     |
|              | PNL_PD18    |   | 125     | 87                    | 87                          | D13     |
|              | PNL_PD19    |   | 124     | 86                    | 86                          | D12     |
|              | PNL_PD20    |   | 123     | 85                    | 85                          | D11     |
|              | PNL_PD21    |   | 122     | 84                    | 84                          | D10     |
|              | PNL_PD22    |   | 121     | 83                    | 83                          | E13     |
|              | PNL_PD23    | 120   | 82      | 82                    | E12                         |         |
|              | PNL_TSIG0   | GDC timing generator for panel control<br><br>PNL_TSIG signals are customized synchronization signals for direct interfacing to the column and row drivers of most panel types. For more information, refer to Peripheral Manual (GDC Core part). | 70      | 48                    | 48                          | L9      |
|              | PNL_TSIG1   |   | 71      | 49                    | 49                          | L10     |
|              | PNL_TSIG2   |   | 68      | 46                    | 46                          | L8      |
|              | PNL_TSIG3   |   | 69      | 47                    | 47                          | K9      |
|              | PNL_TSIG4   |   | 66      | 44                    | 44                          | L7      |
|              | PNL_TSIG5   |   | 130     | 88                    | 88                          | C12     |
|              | PNL_TSIG6   |   | 125     | 87                    | 87                          | D13     |
|              | PNL_TSIG7   |   | 124     | 86                    | 86                          | D12     |
|              | PNL_TSIG8   |   | 123     | 85                    | 85                          | D11     |
|              | PNL_TSIG9   |   | 122     | 84                    | 84                          | D10     |
| PNL_TSIG10   | 121         |   | 83      | 83                    | E13                         |         |
| PNL_TSIG11   | 120         | 82  | 82      | E12                   |                             |         |

| Module                            | Pin Name  | Function                          | Pin No. |                       |                             |         |
|-----------------------------------|-----------|-----------------------------------|---------|-----------------------|-----------------------------|---------|
|                                   |           |                                   | LQFP176 | LQFP120<br>Ex-LQFP120 | LQFP120<br>(S6E2D35GJ<br>A) | FBGA161 |
| GDC<br>SDRAM-IF<br>(176 pin only) | GE_SDA0   | SDRAM-IF address output pin       | 144     | -                     | -                           | -       |
|                                   | GE_SDA1   |                                   | 138     | -                     | -                           | -       |
|                                   | GE_SDA2   |                                   | 137     | -                     | -                           | -       |
|                                   | GE_SDA3   |                                   | 136     | -                     | -                           | -       |
|                                   | GE_SDA4   |                                   | 135     | -                     | -                           | -       |
|                                   | GE_SDA5   |                                   | 134     | -                     | -                           | -       |
|                                   | GE_SDA6   |                                   | 129     | -                     | -                           | -       |
|                                   | GE_SDA7   |                                   | 128     | -                     | -                           | -       |
|                                   | GE_SDA8   |                                   | 127     | -                     | -                           | -       |
|                                   | GE_SDA9   |                                   | 126     | -                     | -                           | -       |
|                                   | GE_SDA10  |                                   | 115     | -                     | -                           | -       |
|                                   | GE_SDA11  | 114                               | -       | -                     | -                           |         |
|                                   | GE_SDBA0  | SDRAM-IF bank address output pin  | 113     | -                     | -                           | -       |
|                                   | GE_SDBA1  |                                   | 112     | -                     | -                           | -       |
|                                   | GE_SDCASX | SDRAM-IF column active output pin | 168     | -                     | -                           | -       |
|                                   | GE_SDRASX | SDRAM-IF row active output pin    | 167     | -                     | -                           | -       |
|                                   | GE_SDWEX  | SDRAM-IF write enable output pin  | 166     | -                     | -                           | -       |
|                                   | GE_SDCKE  | SDRAM-IF clock enable output pin  | 2       | -                     | -                           | -       |
|                                   | GE_SDCLK  | SDRAM-IF clock output pin         | 3       | -                     | -                           | -       |
|                                   | GE_SDCSX  | SDRAM-IF chip select output pin   | 169     | -                     | -                           | -       |
|                                   | GE_SDDQ0  | SDRAM-IF data input / output pin  | 99      | -                     | -                           | -       |
|                                   | GE_SDDQ1  |                                   | 98      | -                     | -                           | -       |
|                                   | GE_SDDQ2  |                                   | 97      | -                     | -                           | -       |
|                                   | GE_SDDQ3  |                                   | 96      | -                     | -                           | -       |
|                                   | GE_SDDQ4  |                                   | 95      | -                     | -                           | -       |
|                                   | GE_SDDQ5  |                                   | 94      | -                     | -                           | -       |
|                                   | GE_SDDQ6  |                                   | 77      | -                     | -                           | -       |
|                                   | GE_SDDQ7  |                                   | 76      | -                     | -                           | -       |
|                                   | GE_SDDQ8  |                                   | 75      | -                     | -                           | -       |
|                                   | GE_SDDQ9  |                                   | 74      | -                     | -                           | -       |
|                                   | GE_SDDQ10 |                                   | 73      | -                     | -                           | -       |
|                                   | GE_SDDQ11 |                                   | 72      | -                     | -                           | -       |
|                                   | GE_SDDQ12 |                                   | 59      | -                     | -                           | -       |
|                                   | GE_SDDQ13 |                                   | 58      | -                     | -                           | -       |
|                                   | GE_SDDQ14 |                                   | 57      | -                     | -                           | -       |
|                                   | GE_SDDQ15 |                                   | 56      | -                     | -                           | -       |
| GE_SDDQ16                         | 50        |                                   | -       | -                     | -                           |         |
| GE_SDDQ17                         | 49        |                                   | -       | -                     | -                           |         |
| GE_SDDQ18                         | 48        |                                   | -       | -                     | -                           |         |
| GE_SDDQ19                         | 47        |                                   | -       | -                     | -                           |         |
| GE_SDDQ20                         | 32        |                                   | -       | -                     | -                           |         |
| GE_SDDQ21                         | 31        |                                   | -       | -                     | -                           |         |
| GE_SDDQ22                         | 30        |                                   | -       | -                     | -                           |         |
| GE_SDDQ23                         | 29        | -                                 | -       | -                     |                             |         |

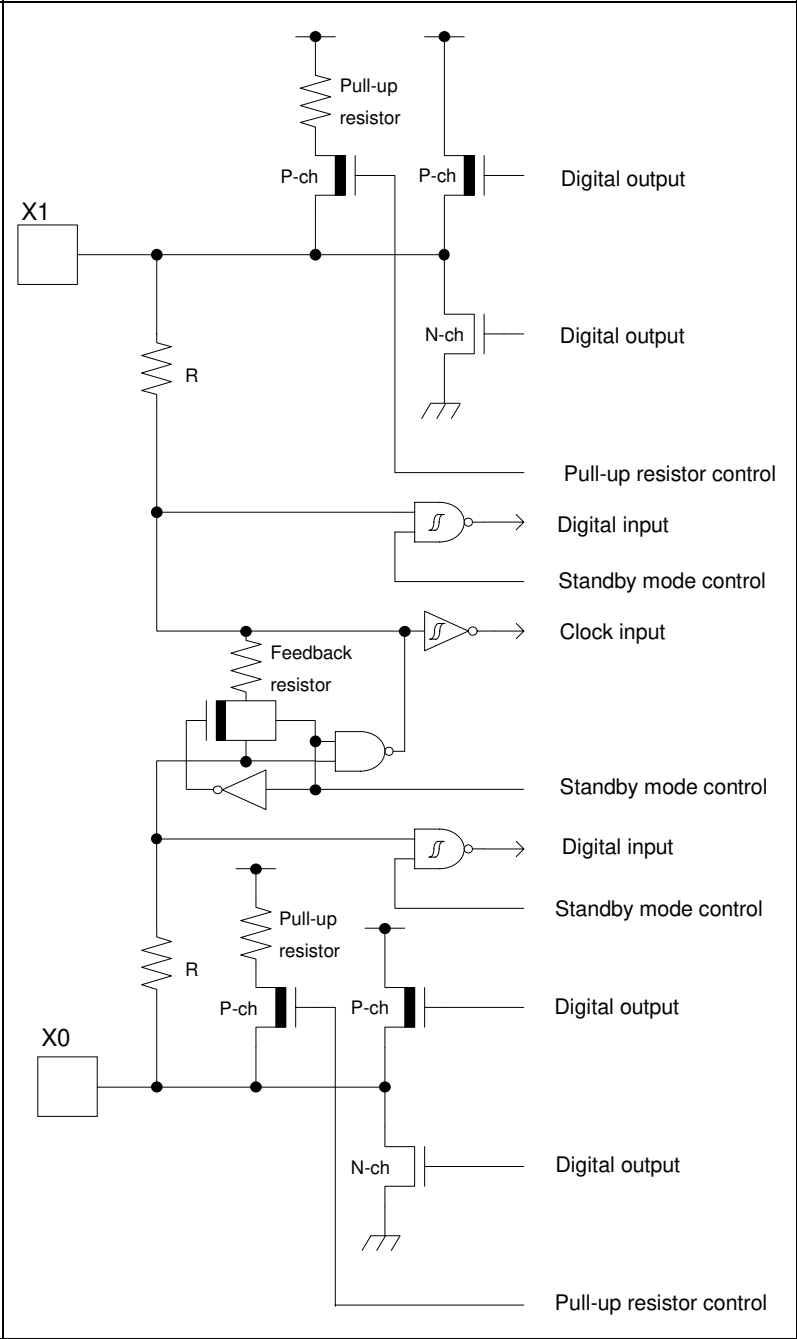
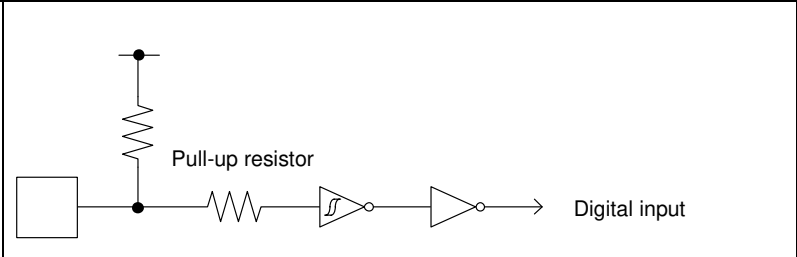
| Module                            | Pin Name  | Function  | Pin No.  |                       |                             |         |     |
|-----------------------------------|-----------|---|--|-----------------------|-----------------------------|---------|-----|
|                                   |           |   | LQFP176  | LQFP120<br>Ex-LQFP120 | LQFP120<br>(S6E2D35GJ<br>A) | FBGA161 |     |
| GDC<br>SDRAM-IF<br>(176 pin only) | GE_SDDQ24 | SDRAM-IF data input / output pin  | 18   | -                     | -                           | -       |     |
|                                   | GE_SDDQ25 |   | 17   | -                     | -                           | -       |     |
|                                   | GE_SDDQ26 |   | 16   | -                     | -                           | -       |     |
|                                   | GE_SDDQ27 |   | 15   | -                     | -                           | -       |     |
|                                   | GE_SDDQ28 |   | 14   | -                     | -                           | -       |     |
|                                   | GE_SDDQ29 |   | 13   | -                     | -                           | -       |     |
|                                   | GE_SDDQ30 |   | 5  | -                     | -                           | -       |     |
|                                   | GE_SDDQ31 |   | 4  | -                     | -                           | -       |     |
|                                   | GE_SDDQM0 |   | SDRAM-IF input / output mask pin   | 148                   | -                           | -       | -   |
|                                   | GE_SDDQM1 |   |  | 147                   | -                           | -       | -   |
|                                   | GE_SDDQM2 | 146   |  | -                     | -                           | -       |     |
|                                   | GE_SDDQM3 | 145   |  | -                     | -                           | -       |     |
|                                   | Reset     | INITX   | External Reset Input pin.<br>A reset is valid when INITX = L.                    | 78                    | 50                          | 50      | M8  |
|                                   | Mode      | MD1   | Mode 1 pin.<br>During serial programming to Flash memory, MD1 = L must be input. | 84                    | 56                          | 56      | M12 |
| MD0                               |           | Mode 0 pin.<br>During normal operation, MD0 = L must be input.<br>During serial programming to Flash memory, MD0 = H must be input. | 85   | 57                    | 57                          | M11     |     |
| Power                             | VCC       | Power supply Pin  | 1  | 1                     | 1                           | C1      |     |
|                                   |           |   | 23   | 13                    | 13                          | G1      |     |
|                                   |           |   | 44   | 30                    | 30                          | L1      |     |
|                                   |           |   | 62   | 40                    | 40                          | N4      |     |
|                                   |           |   | 89   | 61                    | 61                          | L13     |     |
|                                   |           |   | 133  | 91                    | 91                          | A12     |     |
|                                   |           |   | 173  | 117                   | 117                         | A4      |     |
| GND                               | VSS       | GND Pin   | 24   | 14                    | 14                          | H1      |     |
|                                   |           |   | 45   | 31                    | 31                          | M1      |     |
|                                   |           |   | 61   | 39                    | 39                          | N3      |     |
|                                   |           |   | 88   | 60                    | 60                          | M13     |     |
|                                   |           |   | 132  | 90                    | 90                          | B13     |     |
|                                   |           |   | 159  | 107                   | 107                         | A7      |     |
|                                   |           |   | 176  | 120                   | 120                         | B1      |     |
| Clock                             | X0        | Main clock (oscillation) input pin  | 86   | 58                    | 58                          | N11     |     |
|                                   | X0A       | Sub clock (oscillation) input pin   | 79   | 51                    | 51                          | N7      |     |
|                                   | X1        | Main clock (oscillation) I/O pin  | 87   | 59                    | 59                          | N12     |     |
|                                   | X1A       | Sub clock (oscillation) I/O pin   | 80   | 52                    | 52                          | N9      |     |
|                                   | CROUT_0   | Built-in High-speed CR-osc clock output port  | 52   | 34                    | 34                          | L4      |     |
|                                   | CROUT_1   |   | 64   | 42                    | 42                          | N5      |     |
| Analog Power                      | AVCC      | A/D converter analog power supply pin   | 90   | 62                    | 62                          | K13     |     |
|                                   | AVRL      | A/D converter analog reference voltage input pin  | 92   | 64                    | 64                          | J13     |     |
|                                   | AVRH      | A/D converter analog reference voltage input pin  | 93   | 65                    | 65                          | J12     |     |

| Module     | Pin Name | Function  | Pin No. |                       |                             |         |
|------------|----------|---|---------|-----------------------|-----------------------------|---------|
|            |          |   | LQFP176 | LQFP120<br>Ex-LQFP120 | LQFP120<br>(S6E2D35GJ<br>A) | FBGA161 |
| VBAT Power | VBAT     | VBAT power supply pin.<br>Backup power supply (battery etc.) and system power supply. | 81      | 53                    | 53                          | M9      |
| Analog GND | AVSS     | A/D converter GND pin   | 91      | 63                    | 63                          | K12     |
| C Pin      | C        | Power supply stabilization capacity pin   | 60      | 38                    | 38                          | N2      |

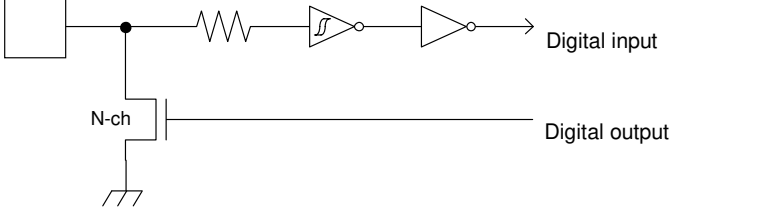
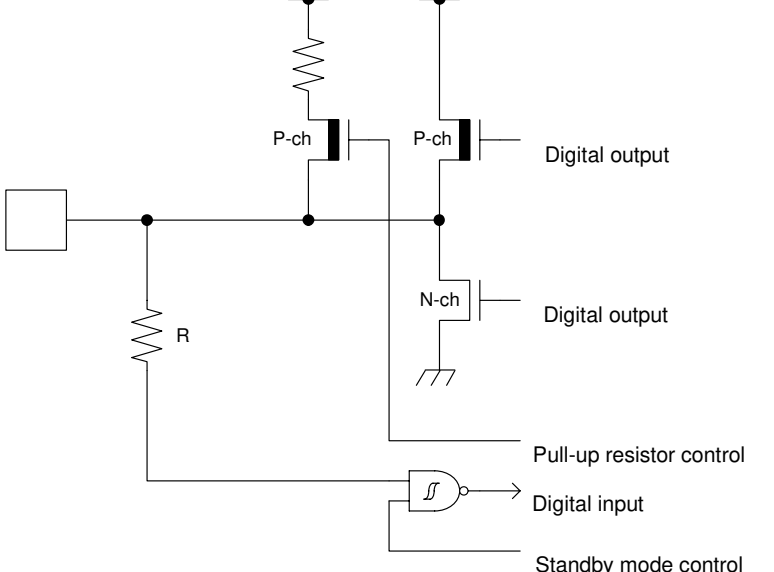
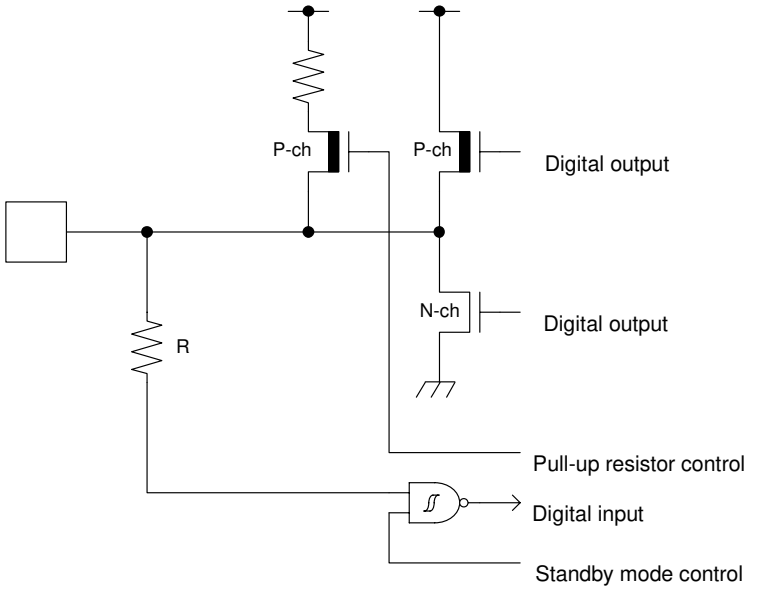
**Note:**

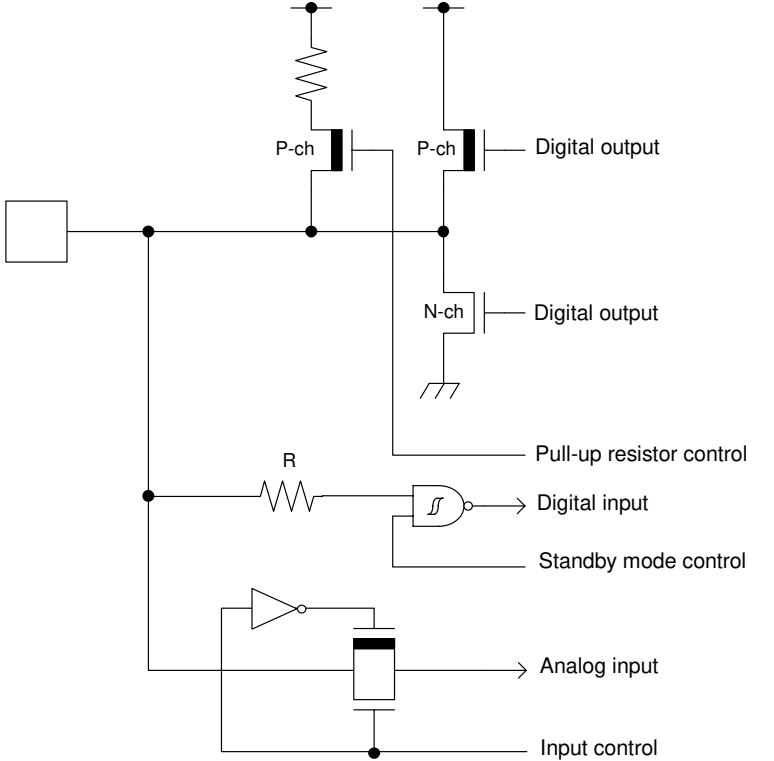
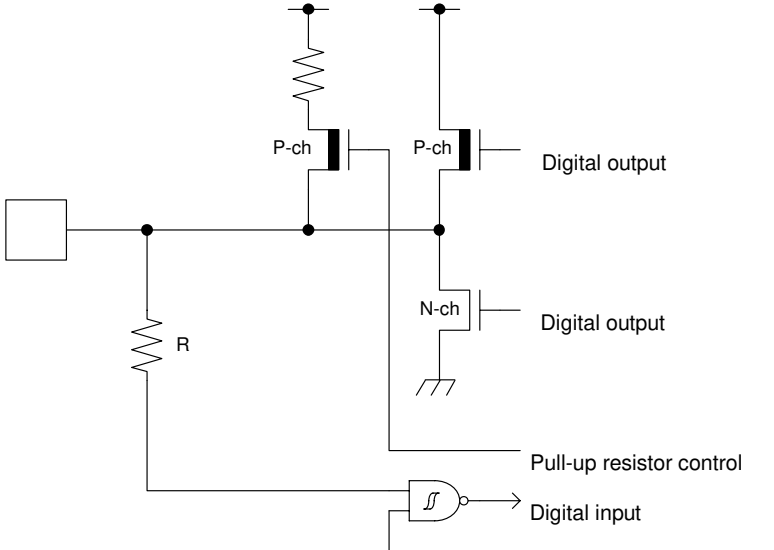
- While this device contains a Test Access Port (TAP) based on the IEEE 1149.1-2001 JTAG standard, it is not fully compliant to all requirements of that standard. This device may contain a 32-bit device ID that is the same as the 32-bit device ID in other devices with different functionality. The TAP pins may also be configurable for purposes other than access to the TAP controller.

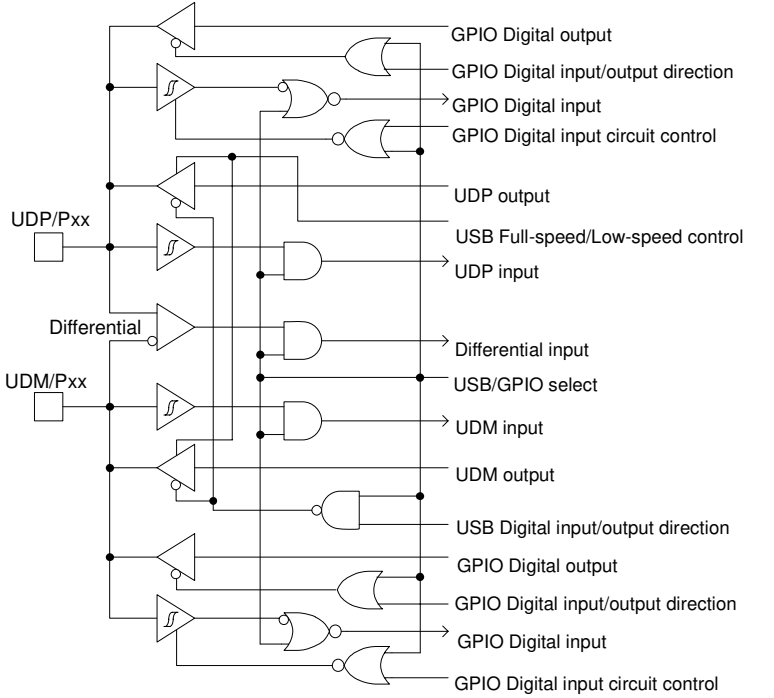
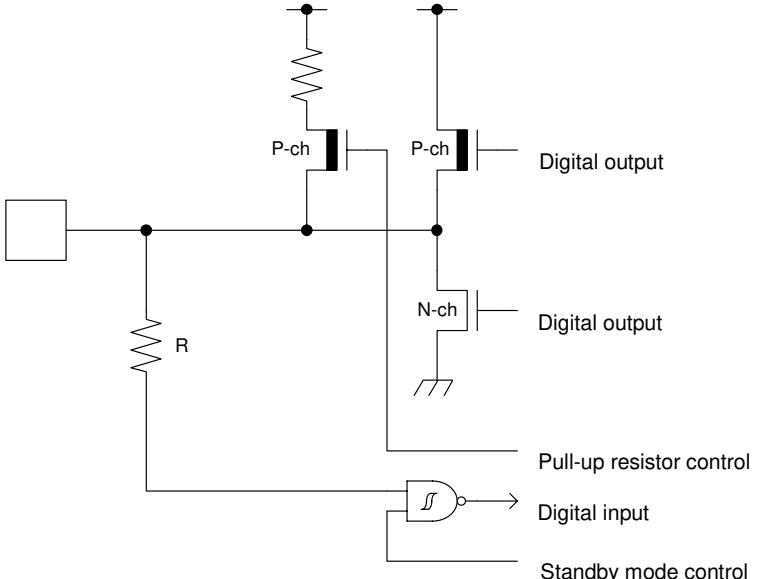
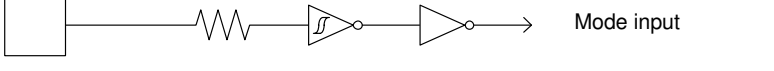
## 5. I/O Circuit Type

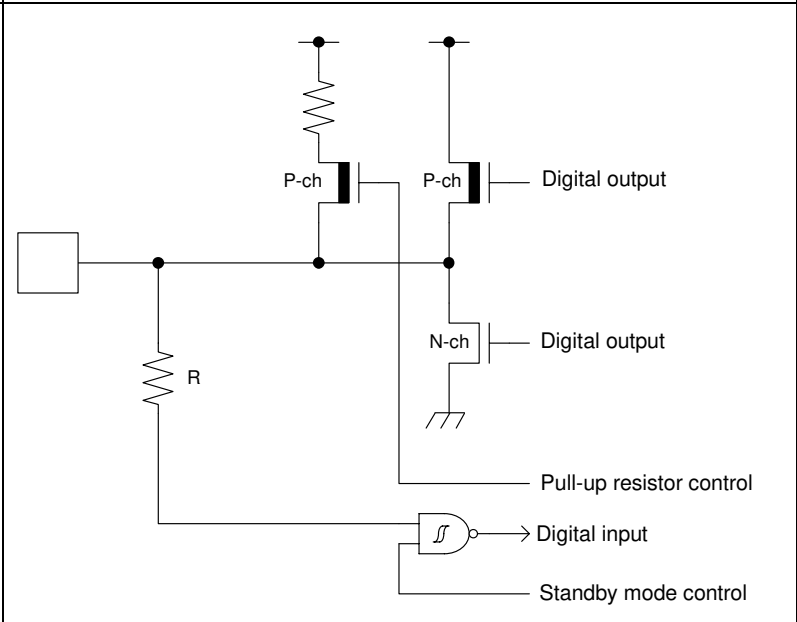
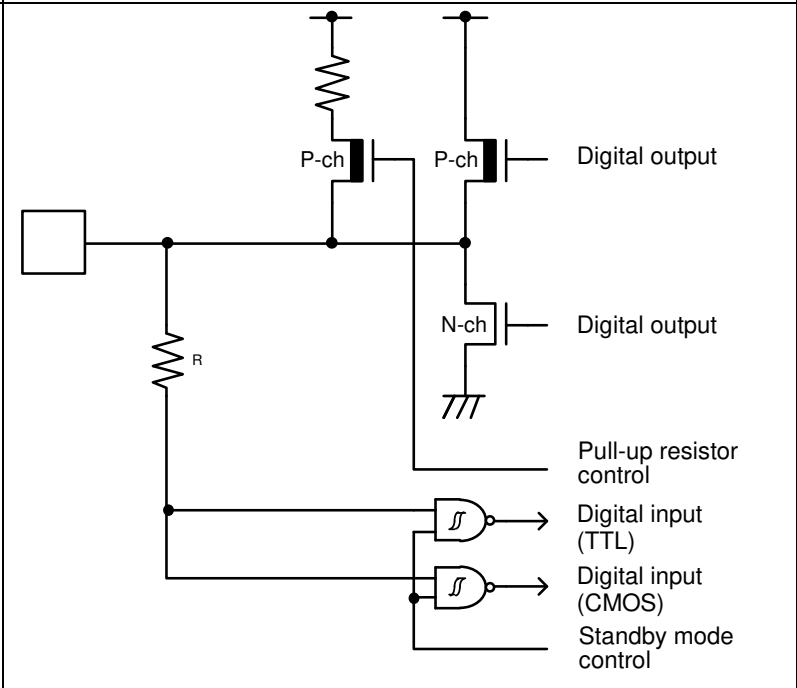
| Type | Circuit  | Remarks   |
|------|--|---|
| A    |   | <p>It is possible to select the main oscillation / GPIO function</p> <p>When the main oscillation is selected.</p> <ul style="list-style-type: none"> <li>• Oscillation feedback resistor : Approximately 1 MΩ</li> <li>• With Standby mode control</li> </ul> <p>When the GPIO is selected.</p> <ul style="list-style-type: none"> <li>• CMOS level output.</li> <li>• CMOS level hysteresis input</li> <li>• With pull-up resistor control</li> <li>• With standby mode control</li> <li>• Pull-up resistor : Approximately 80 kΩ</li> <li>• I<sub>OH</sub> = -2 mA, I<sub>OL</sub> = 2 mA</li> </ul> |
| B    |  | <ul style="list-style-type: none"> <li>• CMOS level hysteresis input</li> <li>• Pull-up resistor : Approximately 80 kΩ</li> </ul>   |

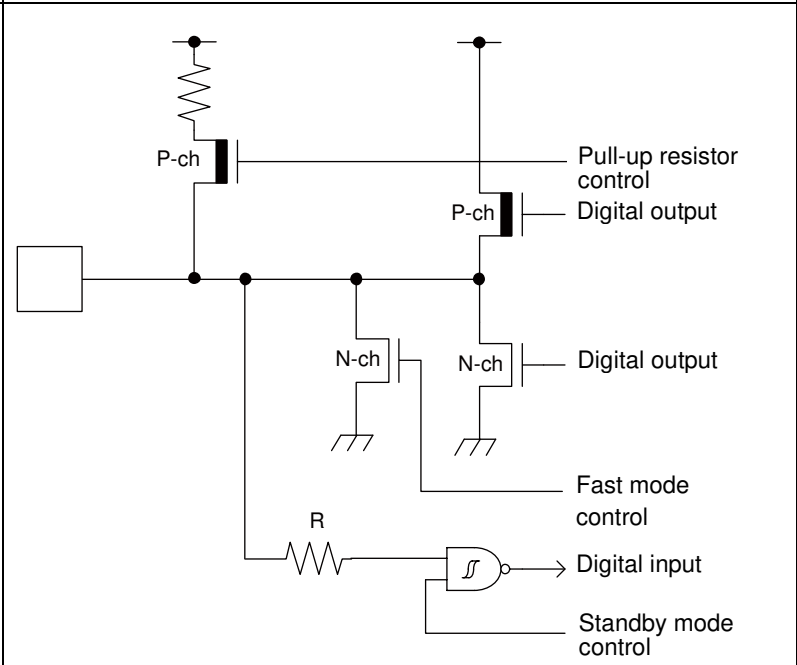
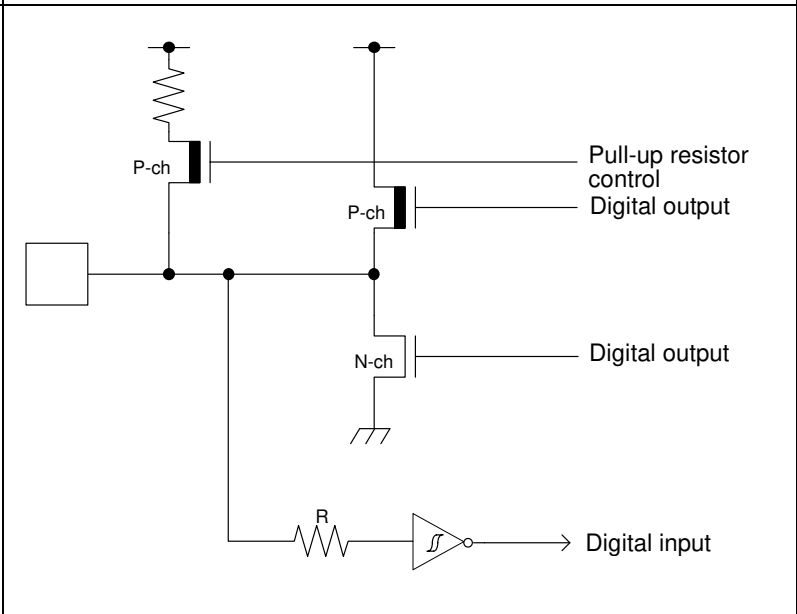
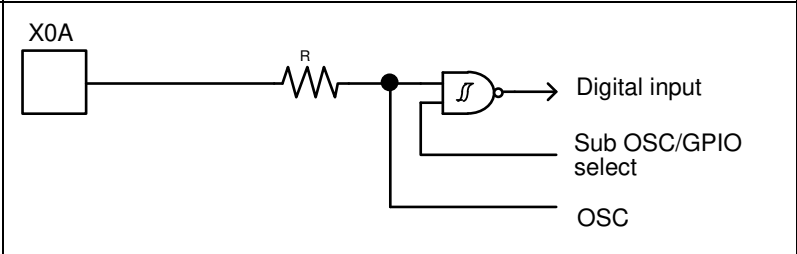


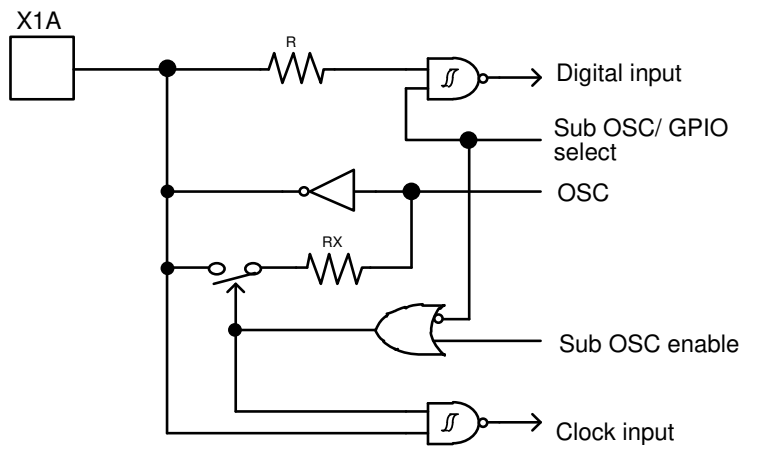
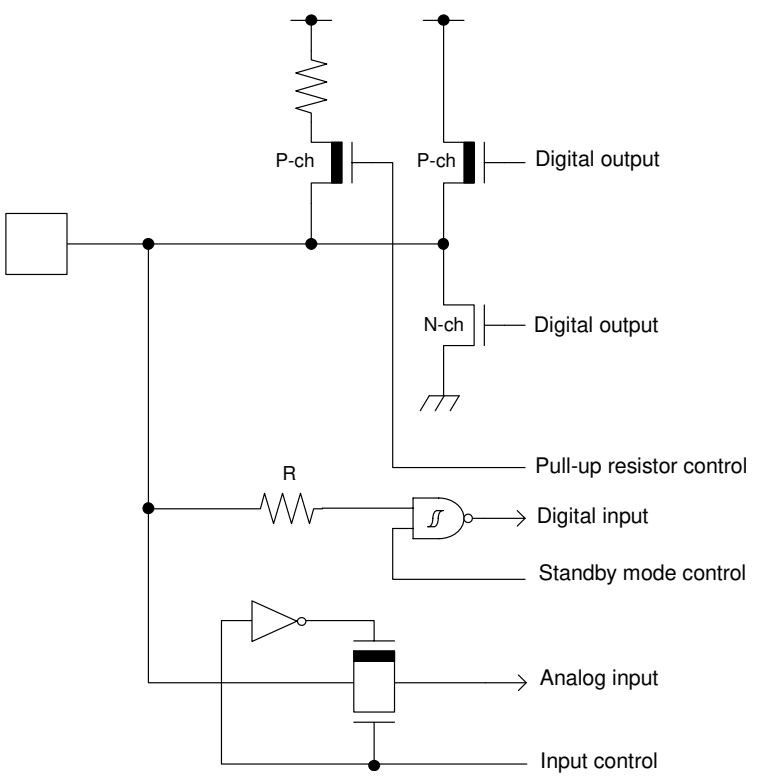
| Type | Circuit  | Remarks  |
|------|--|--|
| C    |    | <ul style="list-style-type: none"> <li>• Open drain output</li> <li>• CMOS level hysteresis input</li> </ul>   |
| D    |   | <ul style="list-style-type: none"> <li>• CMOS level output</li> <li>• CMOS level hysteresis input</li> <li>• With pull-up resistor control</li> <li>• With standby mode control</li> <li>• Pull-up resistor : Approximately 80 kΩ</li> <li>• <math>I_{OH} = -4 \text{ mA}</math>, <math>I_{OL} = 4 \text{ mA}</math></li> <li>• When this pin is used as an I<sup>2</sup>C pin, the digital output P-ch transistor is always off.</li> </ul> |
| E    |  | <ul style="list-style-type: none"> <li>• CMOS level output</li> <li>• CMOS level hysteresis input</li> <li>• With pull-up resistor control</li> <li>• With standby mode control</li> <li>• Pull-up resistor : Approximately 80 kΩ</li> <li>• <math>I_{OH} = -2 \text{ mA}</math>, <math>I_{OL} = 2 \text{ mA}</math></li> <li>• When this pin is used as an I<sup>2</sup>C pin, the digital output P-ch transistor is always off.</li> </ul> |

| Type | Circuit  | Remarks  |
|------|--|--|
| F    |   | <ul style="list-style-type: none"> <li>• CMOS level output</li> <li>• CMOS level hysteresis input</li> <li>• With input control</li> <li>• Analog input</li> <li>• With pull-up resistor control</li> <li>• With standby mode control</li> <li>• Pull-up resistor : Approximately 80 kΩ</li> <li>• <math>I_{OH} = -2 \text{ mA}</math>, <math>I_{OL} = 2 \text{ mA}</math></li> <li>• When this pin is used as an I<sup>2</sup>C pin, the digital output P-ch transistor is always off.</li> </ul> |
| G    |  | <ul style="list-style-type: none"> <li>• CMOS level output</li> <li>• CMOS level hysteresis input</li> <li>• With pull-up resistor control</li> <li>• With standby mode control</li> <li>• Pull-up resistor : Approximately 80 kΩ</li> <li>• <math>I_{OH} = -8 \text{ mA}</math>, <math>I_{OL} = 8 \text{ mA}</math></li> <li>• When this pin is used as an I<sup>2</sup>C pin, the digital output P-ch transistor is always off.</li> </ul>   |

| Type | Circuit  | Remarks  |
|------|--|--|
| H    |   | <p>It is possible to select the USB I/O / GPIO function.</p> <p>When the USB I/O is selected.</p> <ul style="list-style-type: none"> <li>• Full-speed, Low-speed control</li> </ul> <p>When the GPIO is selected.</p> <ul style="list-style-type: none"> <li>• CMOS level output</li> <li>• CMOS level hysteresis input</li> <li>• With standby mode control</li> <li>• <math>I_{OH} = -20.5 \text{ mA}</math>, <math>I_{OL} = 18.5 \text{ mA}</math></li> </ul> |
| I    |  | <ul style="list-style-type: none"> <li>• CMOS level output</li> <li>• CMOS level hysteresis input</li> <li>• 5 V tolerant</li> <li>• With pull-up resistor control</li> <li>• With standby mode control</li> <li>• Pull-up resistor : Approximately 80 kΩ</li> <li>• <math>I_{OH} = -2 \text{ mA}</math>, <math>I_{OL} = 2 \text{ mA}</math></li> <li>• Available to control of PZR registers.</li> </ul>  |
| J    |  | <ul style="list-style-type: none"> <li>• CMOS level hysteresis input</li> </ul>  |

| Type | Circuit   | Remarks   |
|------|---|---|
| K    |   | <ul style="list-style-type: none"> <li>• CMOS level output</li> <li>• CMOS level hysteresis input</li> <li>• With pull-up resistor control</li> <li>• With standby mode control</li> <li>• Pull-up resistor : Approximately 33 kΩ</li> <li>• <math>I_{OH} = -11 \text{ mA}</math>, <math>I_{OL} = 11 \text{ mA}</math></li> </ul>   |
| L    |  | <ul style="list-style-type: none"> <li>• CMOS level output</li> <li>• CMOS level hysteresis input</li> <li>• TTL level hysteresis input :SDRAM-IF Data Input only</li> <li>• With pull-up resistor control</li> <li>• With standby mode control</li> <li>• Pull-up resistor : Approximately 33 kΩ</li> <li>• <math>I_{OH} = -11 \text{ mA}</math>, <math>I_{OL} = 11 \text{ mA}</math></li> </ul> |

| Type | Circuit  | Remarks  |
|------|--|--|
| N    |    | <ul style="list-style-type: none"> <li>• CMOS level output</li> <li>• CMOS level hysteresis input</li> <li>• 5 V tolerant</li> <li>• With pull-up resistor control</li> <li>• With standby mode control</li> <li>• Pull-up resistor : Approximately 80 kΩ</li> <li>• <math>I_{OH} = -3 \text{ mA}</math>, <math>I_{OL} = 3 \text{ mA}</math> (GPIO)</li> <li>• <math>I_{OL} = 20 \text{ mA}</math> (Fast Mode Plus)</li> <li>• Available to control of PZR registers.</li> <li>• When this pin is used as an I<sup>2</sup>C pin, the digital output P-ch transistor is always off</li> </ul> |
| O    |   | <ul style="list-style-type: none"> <li>• CMOS level output</li> <li>• CMOS level hysteresis input</li> <li>• 5 V tolerant</li> <li>• With pull-up resistor control</li> <li>• Pull-up resistor : Approximately 80 kΩ</li> <li>• <math>I_{OH} = -2 \text{ mA}</math>, <math>I_{OL} = 2 \text{ mA}</math></li> <li>• Available to control of PZR registers.</li> <li>• Please refer to the "VBAT domain" setting of the IO in the "Peripheral Manual main part (002-04856)".</li> </ul>  |
| P    |  | <ul style="list-style-type: none"> <li>• CMOS level hysteresis input</li> <li>• Please refer to the "VBAT domain" setting of the IO in the "Peripheral Manual main part (002-04856)".</li> </ul>   |

| Type | Circuit   | Remarks  |
|------|---|--|
| Q    |   | <p>It is possible to select the sub oscillation / GPIO function</p> <p>When the sub oscillation is selected.</p> <ul style="list-style-type: none"> <li>• Oscillation feedback resistor : Approximately 12 MΩ</li> </ul> <p>When the GPIO is selected.</p> <ul style="list-style-type: none"> <li>• CMOS level hysteresis input</li> </ul> <ul style="list-style-type: none"> <li>• Please refer to the "VBAT domain" setting of the IO in the "Peripheral Manual main part (002-04856)".</li> </ul> |
| R    |  | <ul style="list-style-type: none"> <li>• CMOS level output</li> <li>• CMOS level hysteresis input</li> <li>• With input control</li> <li>• Analog input</li> <li>• With pull-up resistor control</li> <li>• With standby mode control</li> <li>• Pull-up resistor : Approximately 80 kΩ</li> <li>• <math>I_{OH} = -4 \text{ mA}</math>, <math>I_{OL} = 4 \text{ mA}</math></li> </ul>  |

## 6. Handling Precautions

Any semiconductor devices have inherently a certain rate of failure. The possibility of failure is greatly affected by the conditions in which they are used (circuit conditions, environmental conditions, etc.). This page describes precautions that must be observed to minimize the chance of failure and to obtain higher reliability from your Cypress semiconductor devices.

### 6.1 Precautions for Product Design

This section describes precautions when designing electronic equipment using semiconductor devices.

#### Absolute Maximum Ratings

Semiconductor devices can be permanently damaged by application of stress (voltage, current, temperature, etc.) in excess of certain established limits, called absolute maximum ratings. Do not exceed these ratings.

#### Recommended Operating Conditions

Recommended operating conditions are normal operating ranges for the semiconductor device. All the device's electrical characteristics are warranted when operated within these ranges.

Always use semiconductor devices within the recommended operating conditions. Operation outside these ranges may adversely affect reliability and could result in device failure.

No warranty is made with respect to uses, operating conditions, or combinations not represented on the data sheet. Users considering application outside the listed conditions are advised to contact their sales representative beforehand.

#### Processing and Protection of Pins

These precautions must be followed when handling the pins which connect semiconductor devices to power supply and input/output functions.

1. Preventing Over-Voltage and Over-Current Conditions

Exposure to voltage or current levels in excess of maximum ratings at any pin is likely to cause deterioration within the device, and in extreme cases leads to permanent damage of the device. Try to prevent such overvoltage or over-current conditions at the design stage.

2. Protection of Output Pins

Shorting of output pins to supply pins or other output pins, or connection to large capacitance can cause large current flows. Such conditions if present for extended periods of time can damage the device. Therefore, avoid this type of connection.

3. Handling of Unused Input Pins

Unconnected input pins with very high impedance levels can adversely affect stability of operation. Such pins should be connected through an appropriate resistance to a power supply pin or ground pin.

### Latch-up

Semiconductor devices are constructed by the formation of P-type and N-type areas on a substrate. When subjected to abnormally high voltages, internal parasitic PNP junctions (called thyristor structures) may be formed, causing large current levels in excess of several hundred mA to flow continuously at the power supply pin. This condition is called latch-up.

**CAUTION:** The occurrence of latch-up not only causes loss of reliability in the semiconductor device, but can cause injury or damage from high heat, smoke or flame. To prevent this from happening, do the following:

1. Be sure that voltages applied to pins do not exceed the absolute maximum ratings. This should include attention to abnormal noise, surge levels, etc.
2. Be sure that abnormal current flows do not occur during the power-on sequence.

### Observance of Safety Regulations and Standards

Most countries in the world have established standards and regulations regarding safety, protection from electromagnetic interference, etc. Customers are requested to observe applicable regulations and standards in the design of products.

### Fail-Safe Design

Any semiconductor devices have inherently a certain rate of failure. You must protect against injury, damage or loss from such failures by incorporating safety design measures into your facility and equipment such as redundancy, fire protection, and prevention of over-current levels and other abnormal operating conditions.

### Precautions Related to Usage of Devices

Cypress semiconductor devices are intended for use in standard applications (computers, office automation and other office equipment, industrial, communications, and measurement equipment, personal or household devices, etc.).

**CAUTION:** Customers considering the use of our products in special applications where failure or abnormal operation may directly affect human lives or cause physical injury or property damage, or where extremely high levels of reliability are demanded (such as aerospace systems, atomic energy controls, sea floor repeaters, vehicle operating controls, medical devices for life support, etc.) are requested to consult with sales representatives before such use. The company will not be responsible for damages arising from such use without prior approval.

## 6.2 Precautions for Package Mounting

Package mounting may be either lead insertion type or surface mount type. In either case, for heat resistance during soldering, you should only mount under Cypress's recommended conditions. For detailed information about mount conditions, contact your sales representative.

### Lead Insertion Type

Mounting of lead insertion type packages onto printed circuit boards may be done by two methods: direct soldering on the board, or mounting by using a socket.

Direct mounting onto boards normally involves processes for inserting leads into through-holes on the board and using the flow soldering (wave soldering) method of applying liquid solder. In this case, the soldering process usually causes leads to be subjected to thermal stress in excess of the absolute ratings for storage temperature. Mounting processes should conform to Cypress recommended mounting conditions.

If socket mounting is used, differences in surface treatment of the socket contacts and IC lead surfaces can lead to contact deterioration after long periods. For this reason it is recommended that the surface treatment of socket contacts and IC leads be verified before mounting.

### Surface Mount Type

Surface mount packaging has longer and thinner leads than lead-insertion packaging, and therefore leads are more easily deformed or bent. The use of packages with higher pin counts and narrower pin pitch results in increased susceptibility to open connections caused by deformed pins, or shorting due to solder bridges.

You must use appropriate mounting techniques. Cypress recommends the solder reflow method, and has established a ranking of mounting conditions for each product. Users are advised to mount packages in accordance with Cypress ranking of recommended conditions.



### Lead-Free Packaging

CAUTION: When ball grid array (BGA) packages with Sn-Ag-Cu balls are mounted using Sn-Pb eutectic soldering, junction strength may be reduced under some conditions of use.

### Storage of Semiconductor Devices

Because plastic chip packages are formed from plastic resins, exposure to natural environmental conditions will cause absorption of moisture. During mounting, the application of heat to a package that has absorbed moisture can cause surfaces to peel, reducing moisture resistance and causing packages to crack. To prevent, do the following:

1. Avoid exposure to rapid temperature changes, which cause moisture to condense inside the product. Store products in locations where temperature changes are slight.
2. Use dry boxes for product storage. Products should be stored below 70% relative humidity, and at temperatures between 5°C and 30°C.  
When you open Dry Package that recommends humidity 40% to 70% relative humidity.
3. When necessary, Cypress packages semiconductor devices in highly moisture-resistant aluminum laminate bags, with a silica gel desiccant. Devices should be sealed in their aluminum laminate bags for storage.
4. Avoid storing packages where they are exposed to corrosive gases or high levels of dust.

### Baking

Packages that have absorbed moisture may be de-moisturized by baking (heat drying). Follow the Cypress recommended conditions for baking.

Condition: 125°C/24 h

### Static Electricity

Because semiconductor devices are particularly susceptible to damage by static electricity, you must take the following precautions:

1. Maintain relative humidity in the working environment between 40% and 70%. Use of an apparatus for ion generation may be needed to remove electricity.
2. Electrically ground all conveyors, solder vessels, soldering irons and peripheral equipment.
3. Eliminate static body electricity by the use of rings or bracelets connected to ground through high resistance (on the level of 1 MΩ).  
Wearing of conductive clothing and shoes, use of conductive floor mats and other measures to minimize shock loads is recommended.
4. Ground all fixtures and instruments, or protect with anti-static measures.
5. Avoid the use of styrofoam or other highly static-prone materials for storage of completed board assemblies.

### 6.3 Precautions for Use Environment

Reliability of semiconductor devices depends on ambient temperature and other conditions as described above.

For reliable performance, do the following:

1. Humidity

Prolonged use in high humidity can lead to leakage in devices as well as printed circuit boards. If high humidity levels are anticipated, consider anti-humidity processing.

2. Discharge of Static Electricity

When high-voltage charges exist close to semiconductor devices, discharges can cause abnormal operation. In such cases, use anti-static measures or processing to prevent discharges.

3. Corrosive Gases, Dust, or Oil

Exposure to corrosive gases or contact with dust or oil may lead to chemical reactions that will adversely affect the device. If you use devices in such conditions, consider ways to prevent such exposure or to protect the devices.

4. Radiation, Including Cosmic Radiation

Most devices are not designed for environments involving exposure to radiation or cosmic radiation. Users should provide shielding as appropriate.

5. Smoke, Flame

**CAUTION:** Plastic molded devices are flammable, and therefore should not be used near combustible substances. If devices begin to smoke or burn, there is danger of the release of toxic gases.

Customers considering the use of Cypress products in other special environmental conditions should consult with sales representatives.

## 7. Handling Devices

### Power Supply Pins

In products with multiple VCC and VSS pins, respective pins at the same potential are interconnected within the device in order to prevent malfunctions such as latch-up. However, all of these pins should be connected externally to the power supply or ground lines in order to reduce electromagnetic emission levels, to prevent abnormal operation of strobe signals caused by the rise in the ground level, and to conform to the total output current rating.

Moreover, connect the current supply source with each POWER pins and GND pins of this device at low impedance. It is also advisable that a ceramic capacitor of approximately 0.1  $\mu\text{F}$  be connected as a bypass capacitor between VCC and VSS, between AVCC and AVSS and between AVRH and AVRL near this device.

A malfunction may occur when the power supply voltage fluctuates rapidly even though the fluctuation is within the guaranteed operating range of the VCC power supply voltage. As a rule of voltage stabilization, suppress voltage fluctuation so that the fluctuation in VCC ripple (peak-to-peak value) at the commercial frequency (50 Hz/60 Hz) does not exceed 10% of the standard VCC value, and the transient fluctuation rate does not exceed 0.1 V/ $\mu\text{s}$  at a momentary fluctuation such as switching the power supply.

### Crystal Oscillator Circuit

Noise near the X0/X1 and X0A/X1A pins may cause the device to malfunction. Design the printed circuit board so that X0/X1, X0A/X1A pins, the crystal oscillator (or ceramic oscillator), and the bypass capacitor to ground are located as close to the device as possible.

It is strongly recommended that the PC board artwork be designed such that the X0/X1 and X0A/X1A pins are surrounded by ground plane as this is expected to produce stable operation.

Evaluate oscillation of your using crystal oscillator by your mount board.

### Sub Crystal Oscillator

This series sub oscillator circuit is low gain to keep the low current consumption.

The crystal oscillator to fill the following conditions is recommended for sub crystal oscillator to stabilize the oscillation.

#### ■ Surface mount type

- Size: More than 3.2 mm  $\times$  1.5 mm
- Load capacitance: Approximately 6 pF to 7 pF  
When the Standard setting (CCS/CCB=11001110)
- Load capacitance: Approximately 4 pF to 7 pF  
When the low power setting (CCS/CCB=00000100)

#### ■ Lead type

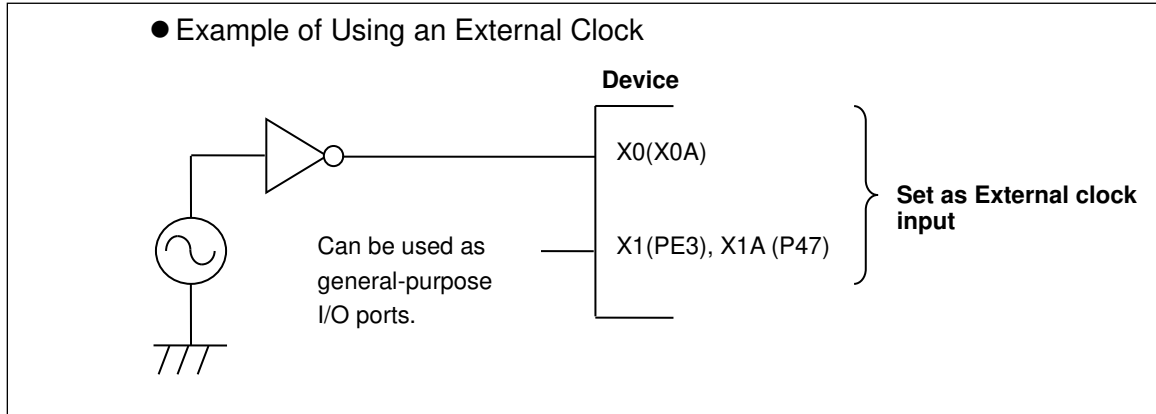
- Load capacitance: Approximately 6 pF to 7 pF  
When the Standard setting (CCS/CCB=11001110)
- Load capacitance: Approximately 4 pF to 7 pF  
When the low power setting (CCS/CCB=00000100)

### Using an External Clock

When using an external clock as an input of the main clock, set X0/X1 to the external clock input, and input the clock to X0.

X1 (PE3) can be used as a general-purpose I/O port.

Similarly, when using an external clock as an input of the sub clock, set X0A/X1A to the external clock input, and input the clock to X0A. X1A (P47) can be used as a general-purpose I/O port.



### Handling when Using Multi-Function Serial Pin as I<sup>2</sup>C Pin

If it is using the multi-function serial pin as I<sup>2</sup>C pins, P-ch transistor of digital output is always disabled.

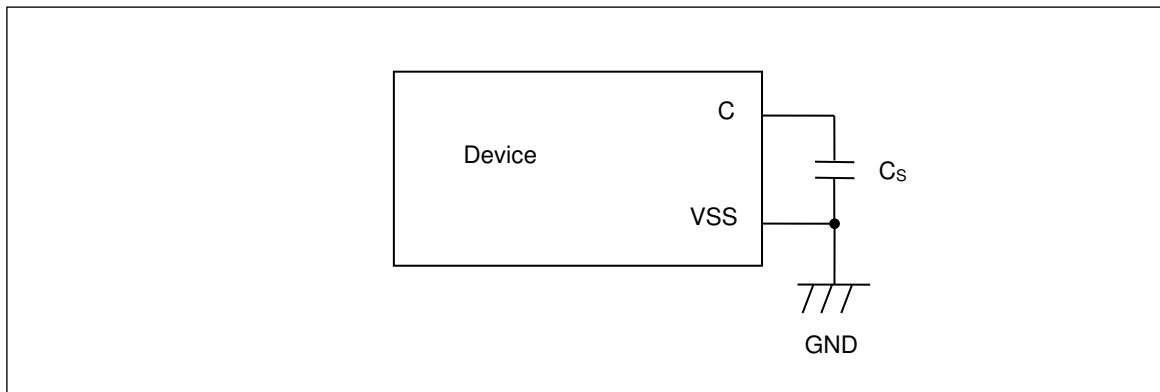
However, I<sup>2</sup>C pins need to keep the electrical characteristic like other pins and not to connect to the external I<sup>2</sup>C bus system with power OFF.

### C Pin

This series contains the regulator. Be sure to connect a smoothing capacitor (C<sub>s</sub>) for the regulator between the C pin and the GND pin. Please use a ceramic capacitor or a capacitor of equivalent frequency characteristics as a smoothing capacitor.

However, some laminated ceramic capacitors have the characteristics of capacitance variation due to thermal fluctuation (F characteristics and Y5V characteristics). Please select the capacitor that meets the specifications in the operating conditions to use by evaluating the temperature characteristics of a capacitor.

A smoothing capacitor of about 4.7 μF would be recommended for this series.



### Mode Pins (MD0)

Connect the MD pin (MD0) directly to VCC or VSS pins. Design the printed circuit board such that the pull-up/down resistance stays low, as well as the distance between the mode pins and VCC pins or VSS pins is as short as possible and the connection impedance is low, when the pins are pulled-up/down such as for switching the pin level and rewriting the Flash memory data. It is because of preventing the device erroneously switching to test mode due to noise.

**Notes on Power-on**

Turn power on/off in the following order or at the same time. The device operates normally after all power on.

VBAT only Power-on is possible when VBAT and VCC turns Power-on and Hibernation control is setting and then turns Power-off.

About Hibernation control, see Chapter 7-3: VBAT Domain(B) in FM4 Family Peripheral Manual Main Part (002-04856).

Turning on : VBAT → VCC → AVCC → AVRH  
Turning off : AVRH → AVCC → VCC → VBAT

**Serial Communication**

There is a possibility to receive wrong data due to the noise or other causes on the serial communication. Therefore, design a printed circuit board so as to avoid noise.

Consider the case of receiving wrong data due to noise, perform error detection such as by applying a checksum of data at the end. If an error is detected, retransmit the data.

**Differences in Features among the Products with Different Memory Sizes and between Flash Products and MASK Products**

The electric characteristics including power consumption, ESD, latch-up, noise characteristics, and oscillation characteristics among the products with different memory sizes and between Flash products and MASK products are different because chip layout and memory structures are different.

If you are switching to use a different product of the same series, please make sure to evaluate the electric characteristics.

**Pull-Up Function of 5V Tolerant I/O**

Please do not input the signal more than VCC voltage at the time of Pull-Up function use of 5V tolerant I/O.

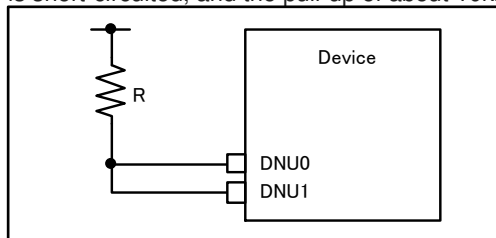
**Pin Doubled as Debug Function**

Please use as output only regarding the pin doubled as TDO/TMS/TDI/TCK/TRSTX, SWO/SWDIO/SWCLK. Don't use as input.

**S6E2D35GJA**

The following must correspond to S6E2D35GJA.

1. Terminal DNU0 / 1 is short-circuited, and the pull-up of about 10kΩ is done.



2. Please do not connect the open end NC terminal.

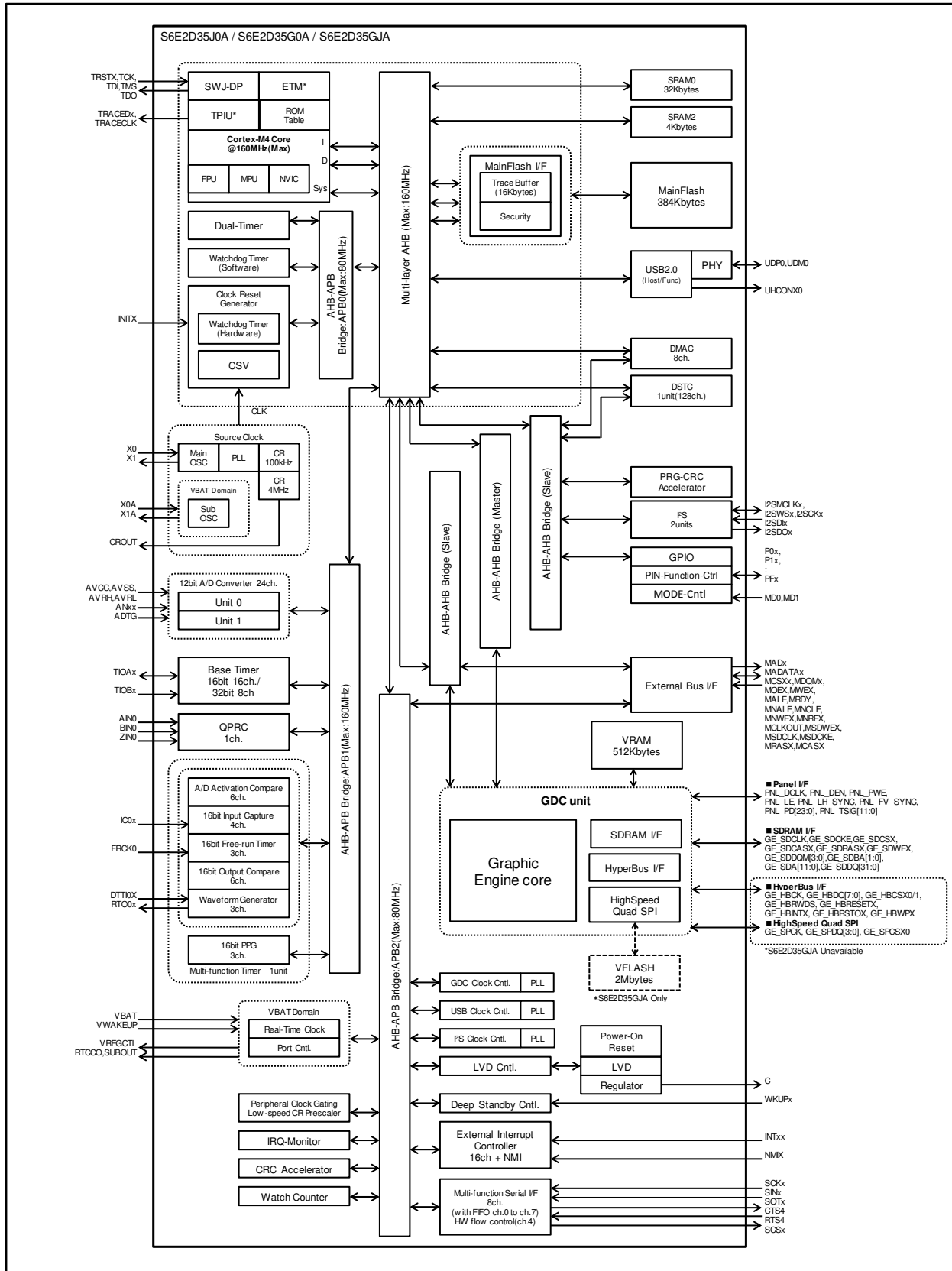
3. Please have the following port settings.

PFR7: bit6=0, bit10=0  
PDOR7: bit6=0, bit10=0  
DDR7: bit6=1, bit10=1

See Chapter 12: I/O Port in FM4 Family Peripheral Manual Main Part (002-04856) for the details.

4. Please connect a bypass capacitor as close as possible to GND on the board and VCC in pin number 22.

### 8. Block Diagram

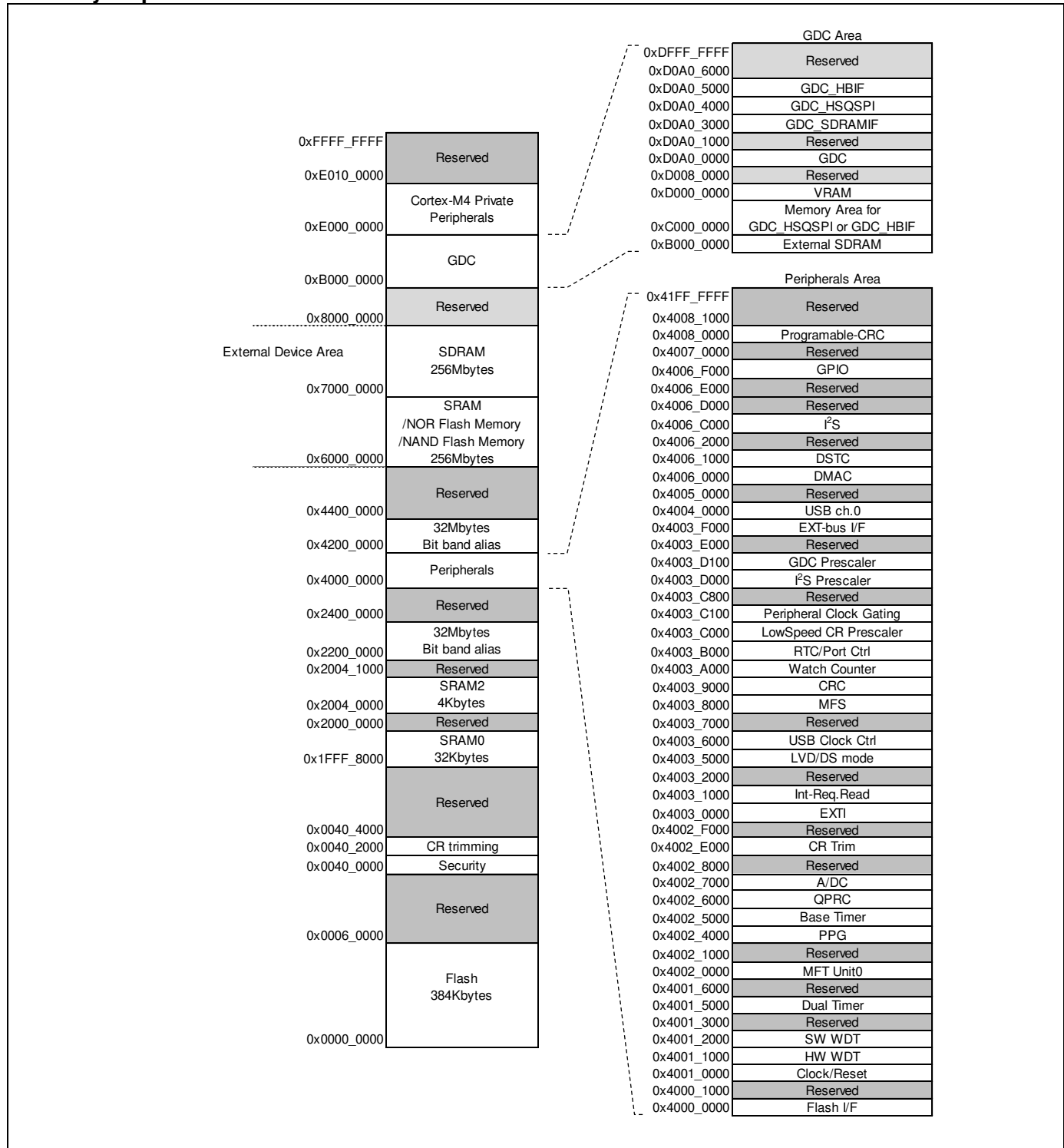


## 9. Memory Size

See Memory size in 1. Product Lineup to confirm the memory size.

## 10. Memory Map

### Memory Map



**Peripheral Address Map**

| Start address | End address | Bus                                    | Peripherals                           |                               |
|---------------|-------------|--|---------------------------------------|-------------------------------|
| 0x4000_0000   | 0x4000_0FFF | AHB                                    | MainFlash I/F register                |                               |
| 0x4000_1000   | 0x4000_FFFF |  | Reserved                              |                               |
| 0x4001_0000   | 0x4001_0FFF | APB0                                   | Clock/Reset Control                   |                               |
| 0x4001_1000   | 0x4001_1FFF |  | Hardware Watchdog timer               |                               |
| 0x4001_2000   | 0x4001_2FFF |  | Software Watchdog timer               |                               |
| 0x4001_3000   | 0x4001_4FFF |  | Reserved                              |                               |
| 0x4001_5000   | 0x4001_5FFF |  | Dual-Timer                            |                               |
| 0x4001_6000   | 0x4001_FFFF |  | Reserved                              |                               |
| 0x4002_0000   | 0x4002_0FFF |  | APB1                                  | Multi-function timer unit0    |
| 0x4002_1000   | 0x4002_3FFF |  |                                       | Reserved                      |
| 0x4002_4000   | 0x4002_4FFF | PPG                                    |                                       |                               |
| 0x4002_5000   | 0x4002_5FFF | Base Timer                             |                                       |                               |
| 0x4002_6000   | 0x4002_6FFF | Quadrature Position/Revolution Counter |                                       |                               |
| 0x4002_7000   | 0x4002_7FFF | A/D Converter                          |                                       |                               |
| 0x4002_8000   | 0x4002_DFFF | Reserved                               |                                       |                               |
| 0x4002_E000   | 0x4002_EFFF | Internal CR trimming                   |                                       |                               |
| 0x4002_F000   | 0x4002_FFFF | Reserved                               |                                       |                               |
| 0x4003_0000   | 0x4003_0FFF | APB2                                   |                                       | External Interrupt Controller |
| 0x4003_1000   | 0x4003_1FFF |  | Interrupt Request Batch-Read Function |                               |
| 0x4003_2000   | 0x4003_4FFF |  | Reserved                              |                               |
| 0x4003_5000   | 0x4003_57FF |  | Low Voltage Detector                  |                               |
| 0x4003_5800   | 0x4003_5FFF |  | Deep standby mode Controller          |                               |
| 0x4003_6000   | 0x4003_6FFF |  | USB clock generator                   |                               |
| 0x4003_7000   | 0x4003_7FFF |  | Reserved                              |                               |
| 0x4003_8000   | 0x4003_8FFF |  | Multi-function serial Interface       |                               |
| 0x4003_9000   | 0x4003_9FFF |  | CRC                                   |                               |
| 0x4003_A000   | 0x4003_AFFF |  | Watch Counter                         |                               |
| 0x4003_B000   | 0x4003_BFFF |  | RTC/PortCtrl                          |                               |
| 0x4003_C000   | 0x4003_C0FF |  | Low-speed CR Prescaler                |                               |
| 0x4003_C100   | 0x4003_C7FF |  | Peripheral Clock Gating               |                               |
| 0x4003_C800   | 0x4003_CFFF |  | Reserved                              |                               |
| 0x4003_D000   | 0x4003_D0FF |  | I <sup>2</sup> S Prescaler            |                               |
| 0x4003_D100   | 0x4003_DFFF |  | GDC Prescaler                         |                               |
| 0x4003_E000   | 0x4003_EFFF |  | Reserved                              |                               |
| 0x4003_F000   | 0x4003_FFFF |  | External Memory interface             |                               |
| 0x4004_0000   | 0x4004_FFFF |  | AHB                                   | USB ch.0                      |
| 0x4005_0000   | 0x4005_FFFF |  |                                       | Reserved                      |
| 0x4006_0000   | 0x4006_0FFF | DMAC register                          |                                       |                               |
| 0x4006_1000   | 0x4006_1FFF | DSTC register                          |                                       |                               |
| 0x4006_2000   | 0x4006_BFFF | Reserved                               |                                       |                               |
| 0x4006_C000   | 0x4006_CFFF | I <sup>2</sup> S                       |                                       |                               |
| 0x4006_D000   | 0x4006_DFFF | Reserved                               |                                       |                               |
| 0x4006_E000   | 0x4006_EFFF | Reserved                               |                                       |                               |
| 0x4006_F000   | 0x4006_FFFF | GPIO                                   |                                       |                               |
| 0x4007_0000   | 0x4007_FFFF | Reserved                               |                                       |                               |
| 0x4008_0000   | 0x4008_0FFF | Programmable-CRC                       |                                       |                               |
| 0x4008_1000   | 0x41FF_FFFF | Reserved                               |                                       |                               |
| 0xB000_0000   | 0xDFFF_FFFF | AHB                                    |                                       | GDC unit                      |



## 11. Pin Status in Each CPU State

The terms used for pin status have the following meanings.

■ **INITX=0**

This is the period when the INITX pin is the L level.

■ **INITX=1**

This is the period when the INITX pin is the H level.

■ **SPL=0**

This is the status that the standby pin level setting bit (SPL) in the standby mode control register (STB\_CTL) is set to 0.

■ **SPL=1**

This is the status that the standby pin level setting bit (SPL) in the standby mode control register (STB\_CTL) is set to 1.

■ **Input enabled**

Indicates that the input function can be used.

■ **Internal input fixed at 0**

This is the status that the input function cannot be used. Internal input is fixed at L.

■ **Hi-Z**

Indicates that the pin drive transistor is disabled and the pin is put in the Hi-Z state.

■ **Setting disabled**

Indicates that the setting is disabled.

■ **Maintain previous state**

Maintains the state that was immediately prior to entering the current mode.  
If a built-in peripheral function is operating, the output follows the peripheral function.  
If the pin is being used as a port, that output is maintained.

■ **Analog input is enabled**

Indicates that the analog input is enabled.

■ **Trace output**

Indicates that the trace function can be used.

■ **GPIO selected**

In Deep standby mode, pins switch to the general-purpose I/O port.

■ **Setting prohibition**

Prohibition of a setting by specification limitation.

List of Pin Status

| Pin status Type | Function Group  | Power-on Reset or Low-Voltage Detection State     | INITX Input State                | Device Internal Reset State      | Run Mode or Sleep Mode State   | Timer Mode RTC Mode or Stop Mode State |                                  | Deep Standby RTC Mode or Deep Standby Stop Mode State |                                  | Return from Deep Standby Mode State |
|-----------------|---|---|----------------------------------|----------------------------------|--|--|----------------------------------|---|----------------------------------|-------------------------------------|
|                 |   | Power Supply Unstable                             | Power Supply Stable              |                                  | Power Supply Stable  | Power Supply Stable                    |                                  | Power Supply Stable                                   |                                  | Power Supply Stable                 |
|                 |   | -   | INITX=0                          | INITX=1                          | INITX=1  | INITX=1                                |                                  | INITX=1   |                                  | INITX=1                             |
|                 |   | -   | -                                | -                                | -  | SPL=0                                  | SPL=1                            | SPL=0   | SPL=1                            | -                                   |
| A               | GPIO selected   | Setting disabled                                  | Setting disabled                 | Setting disabled                 | Maintain previous state  | Maintain previous state                | Hi-Z / Internal input fixed at 0 | GPIO selected Internal input fixed at 0               | Hi-Z / Internal input fixed at 0 | GPIO selected                       |
|                 | Main crystal oscillator input pin/ External main clock input selected | Input enabled                                     | Input enabled                    | Input enabled                    | Input enabled  | Input enabled                          | Input enabled                    | Input enabled   | Input enabled                    | Input enabled                       |
| B               | GPIO selected   | Setting disabled                                  | Setting disabled                 | Setting disabled                 | Maintain previous state  | Maintain previous state                | Hi-Z / Internal input fixed at 0 | GPIO selected Internal input fixed at 0               | Hi-Z / Internal input fixed at 0 | GPIO selected                       |
|                 | External main clock input selected                                    | Setting disabled                                  | Setting disabled                 | Setting disabled                 | Maintain previous state  | Maintain previous state                | Hi-Z / Internal input fixed at 0 | Maintain previous state                               | Hi-Z / Internal input fixed at 0 | Maintain previous state             |
|                 | Main crystal oscillator output pin                                    | Hi-Z / Internal input fixed at 0/ or Input enable | Hi-Z / Internal input fixed at 0 | Hi-Z / Internal input fixed at 0 | Maintain previous state/<br>When oscillation stops*1, Hi-Z / Internal input fixed at 0 |  |                                  |   |                                  |                                     |
| C               | INITX input pin   | Pull-up / input enabled                           | Pull-up / input enabled          | Pull-up / input enabled          | Pull-up / input enabled  | Pull-up / input enabled                | Pull-up / input enabled          | Pull-up / input enabled                               | Pull-up / input enabled          | Pull-up / input enabled             |
| D               | Mode input pin  | Input enabled                                     | Input enabled                    | Input enabled                    | Input enabled  | Input enabled                          | Input enabled                    | Input enabled   | Input enabled                    | Input enabled                       |

| Pin status Type | Function Group                     | Power-on Reset or Low-Voltage Detection State | INITX Input State       | Device Internal Reset State | Run Mode or Sleep Mode State | Timer Mode RTC Mode or Stop Mode State |                                  | Deep Standby RTC Mode or Deep Standby Stop Mode State |                                  | Return from Deep Standby Mode State     |                                  |               |
|-----------------|------------------------------------|---|-------------------------|-----------------------------|------------------------------|--|----------------------------------|---|----------------------------------|---|----------------------------------|---------------|
|                 |                                    | Power Supply Unstable                         | Power Supply Stable     |                             | Power Supply Stable          | Power Supply Stable                    |                                  | Power Supply Stable                                   |                                  | Power Supply Stable                     |                                  |               |
|                 |                                    | -   | INITX=0                 | INITX=1                     | INITX=1                      | INITX=1                                |                                  | INITX=1   |                                  | INITX=1                                 |                                  |               |
|                 |                                    | -   | -                       | -                           | -                            | SPL=0                                  | SPL=1                            | SPL=0   | SPL=1                            | -                                       |                                  |               |
| E               | Mode input pin                     | Input enabled                                 | Input enabled           | Input enabled               | Input enabled                | Input enabled                          | Input enabled                    | Input enabled   | Input enabled                    | Input enabled                           |                                  |               |
|                 | GPIO selected                      | Setting disabled                              | Setting disabled        | Setting disabled            | Maintain previous state      | Maintain previous state                | Hi-Z / input enabled             | GPIO selected   | Hi-Z / input enabled             | GPIO selected                           |                                  |               |
| F               | NMIX selected                      | Setting disabled                              | Setting disabled        | Setting disabled            | Maintain previous state      | Maintain previous state                | Maintain previous state          | WKUP input enabled                                    | Hi-Z / WKUP input enabled        | Maintain previous state                 |                                  |               |
|                 | Resource other than above selected | Hi-Z  | Hi-Z / input enabled    | Hi-Z / input enabled        |                              |  | Hi-Z / Internal input fixed at 0 |   |                                  | GPIO selected                           |                                  |               |
|                 | GPIO selected                      |   |                         |                             |                              |  | GPIO selected                    |   |                                  |   |                                  |               |
| G               | JTAG selected                      | Hi-Z  | Pull-up / Input enabled | Pull-up / Input enabled     | Maintain previous state      | Maintain previous state                | Maintain previous state          | Maintain previous state                               | Maintain previous state          | Maintain previous state                 |                                  |               |
|                 | GPIO selected                      | Setting disabled                              | Setting disabled        | Setting disabled            |                              |  | Hi-Z / Internal input fixed at 0 |   |                                  | GPIO selected Internal input fixed at 0 | Hi-Z / Internal input fixed at 0 | GPIO selected |
| H               | JTAG selected                      | Hi-Z  | Pull-up / Input enabled | Pull-up / Input enabled     | Maintain previous state      | Maintain previous state                | Maintain previous state          | Maintain previous state                               | Maintain previous state          | Maintain previous state                 |                                  |               |
|                 | Resource other than above selected | Setting disabled                              | Setting disabled        | Setting disabled            |                              |  | Hi-Z / Internal input fixed at 0 |   |                                  | GPIO selected Internal input fixed at 0 | Hi-Z / Internal input fixed at 0 | GPIO selected |
|                 | GPIO selected                      |   |                         |                             |                              |  |                                  |   |                                  |   |                                  |               |
| I               | Resource selected                  | Hi-Z  | Hi-Z / input enabled    | Hi-Z / input enabled        | Maintain previous state      | Maintain previous state                | Hi-Z / Internal input fixed at 0 | GPIO selected Internal input fixed at 0               | Hi-Z / Internal input fixed at 0 | GPIO selected                           |                                  |               |
|                 | GPIO selected                      |   |                         |                             |                              |  |                                  |   |                                  |   |                                  |               |

| Pin status Type | Function Group                      | Power-on Reset or Low-Voltage Detection State | INITX Input State                                       | Device Internal Reset State                             | Run Mode or Sleep Mode State                            | Timer Mode RTC Mode or Stop Mode State                  |   | Deep Standby RTC Mode or Deep Standby Stop Mode State   |   | Return from Deep Standby Mode State                     |               |
|-----------------|-------------------------------------|---|---|---|---|---|---|---|---|---|---------------|
|                 |                                     | Power Supply Unstable                         | Power Supply Stable                                     |   | Power Supply Stable                                     | Power Supply Stable                                     |   | Power Supply Stable                                     |   | Power Supply Stable                                     |               |
|                 |                                     | -   | INITX=0   | INITX=1   | INITX=1   | INITX=1   |   | INITX=1   |   | INITX=1   |               |
|                 |                                     | -   | -   | -   | -   | SPL=0   | SPL=1   | SPL=0   | SPL=1   | -   |               |
| K               | External interrupt enabled selected | Setting disabled                              | Setting disabled  | Setting disabled  | Maintain previous state                                 | Maintain previous state                                 | Maintain previous state                                 | GPIO selected<br>Internal input fixed at 0              | Hi-Z / Internal input fixed at 0                        | GPIO selected   |               |
|                 | Resource other than above selected  | Hi-Z  | Hi-Z / input enabled                                    | Hi-Z / input enabled                                    |   |   | Hi-Z / Internal input fixed at 0                        |   |   |   |               |
|                 | GPIO selected                       |   |   |   |   |   |   |   |   |   |               |
| L               | Analog input selected               | Hi-Z  | Hi-Z / Internal input fixed at 0 / Analog input enabled | Hi-Z / Internal input fixed at 0 / Analog input enabled | Hi-Z / Internal input fixed at 0 / Analog input enabled | Hi-Z / Internal input fixed at 0 / Analog input enabled | Hi-Z / Internal input fixed at 0 / Analog input enabled | Hi-Z / Internal input fixed at 0 / Analog input enabled | Hi-Z / Internal input fixed at 0 / Analog input enabled | Hi-Z / Internal input fixed at 0 / Analog input enabled |               |
|                 | Resource other than above selected  |   | Setting disabled  | Setting disabled  | Setting disabled  | Maintain previous state                                 | Maintain previous state                                 | Hi-Z / Internal input fixed at 0                        | GPIO selected<br>Internal input fixed at 0              | Hi-Z / Internal input fixed at 0                        | GPIO selected |
|                 | GPIO selected                       |   |   |   |   |   |   |   |   |   |               |

| Pin status Type | Function Group                      | Power-on Reset or Low-Voltage Detection State | INITX Input State                                       | Device Internal Reset State                             | Run Mode or Sleep Mode State                            | Timer Mode RTC Mode or Stop Mode State                  |   | Deep Standby RTC Mode or Deep Standby Stop Mode State   |   | Return from Deep Standby Mode State                     |
|-----------------|-------------------------------------|---|---|---|---|---|---|---|---|---|
|                 |                                     | Power Supply Unstable                         | Power Supply Stable                                     |   | Power Supply Stable                                     | Power Supply Stable                                     |   | Power Supply Stable                                     |   | Power Supply Stable                                     |
|                 |                                     | -   | INITX=0   | INITX=1   | INITX=1   | INITX=1   |   | INITX=1   |   | INITX=1   |
|                 |                                     | -   | -   | -   | -   | SPL=0   | SPL=1   | SPL=0   | SPL=1   | -   |
| M               | Analog input selected               | Hi-Z  | Hi-Z / Internal input fixed at 0 / Analog input enabled | Hi-Z / Internal input fixed at 0 / Analog input enabled | Hi-Z / Internal input fixed at 0 / Analog input enabled | Hi-Z / Internal input fixed at 0 / Analog input enabled | Hi-Z / Internal input fixed at 0 / Analog input enabled | Hi-Z / Internal input fixed at 0 / Analog input enabled | Hi-Z / Internal input fixed at 0 / Analog input enabled | Hi-Z / Internal input fixed at 0 / Analog input enabled |
|                 | External interrupt enabled selected | Setting disabled                              | Setting disabled  | Setting disabled  | Maintain previous state                                 | Maintain previous state                                 | Maintain previous state                                 | GPIO selected Internal input fixed at 0                 | Hi-Z / Internal input fixed at 0                        | GPIO selected   |
|                 | Resource other than above selected  |   |   |   |   |   | Hi-Z / Internal input fixed at 0                        |   |   |   |
|                 | GPIO selected                       |   |   |   |   |   |   |   |   |   |
| N               | Analog input selected               | Hi-Z  | Hi-Z / Internal input fixed at 0 / Analog input enabled | Hi-Z / Internal input fixed at 0 / Analog input enabled | Hi-Z / Internal input fixed at 0 / Analog input enabled | Hi-Z / Internal input fixed at 0 / Analog input enabled | Hi-Z / Internal input fixed at 0 / Analog input enabled | Hi-Z / Internal input fixed at 0 / Analog input enabled | Hi-Z / Internal input fixed at 0 / Analog input enabled | Hi-Z / Internal input fixed at 0 / Analog input enabled |
|                 | Trace selected                      | Setting disabled                              | Setting disabled  | Setting disabled  | Maintain previous state                                 | Maintain previous state                                 | Trace output  | GPIO selected Internal input fixed at 0                 | Hi-Z / Internal input fixed at 0                        | GPIO selected   |
|                 | Resource other than above selected  |   |   |   |   |   | Hi-Z / Internal input fixed at 0                        |   |   |   |
|                 | GPIO selected                       |   |   |   |   |   |   |   |   |   |

| Pin status Type | Function Group                      | Power-on Reset or Low-Voltage Detection State | INITX Input State                                       | Device Internal Reset State                             | Run Mode or Sleep Mode State                            | Timer Mode RTC Mode or Stop Mode State                  |   | Deep Standby RTC Mode or Deep Standby Stop Mode State   |   | Return from Deep Standby Mode State                     |
|-----------------|-------------------------------------|---|---|---|---|---|---|---|---|---|
|                 |                                     | Power Supply Unstable                         | Power Supply Stable                                     |   | Power Supply Stable                                     | Power Supply Stable                                     |   | Power Supply Stable                                     |   | Power Supply Stable                                     |
|                 |                                     | -   | INITX=0   | INITX=1   | INITX=1   | INITX=1   |   | INITX=1   |   | INITX=1   |
|                 |                                     | -   | -   | -   | -   | SPL=0   | SPL=1   | SPL=0   | SPL=1   | -   |
| O               | Analog input selected               | Hi-Z  | Hi-Z / Internal input fixed at 0 / Analog input enabled | Hi-Z / Internal input fixed at 0 / Analog input enabled | Hi-Z / Internal input fixed at 0 / Analog input enabled | Hi-Z / Internal input fixed at 0 / Analog input enabled | Hi-Z / Internal input fixed at 0 / Analog input enabled | Hi-Z / Internal input fixed at 0 / Analog input enabled | Hi-Z / Internal input fixed at 0 / Analog input enabled | Hi-Z / Internal input fixed at 0 / Analog input enabled |
|                 | Trace selected                      | Setting disabled                              | Setting disabled  | Setting disabled  | Maintain previous state                                 | Maintain previous state                                 | Trace output  | GPIO selected<br>Internal input fixed at 0              | Hi-Z / Internal input fixed at 0                        | GPIO selected   |
|                 | External interrupt enabled selected |   |   |   |   |   | Maintain previous state                                 |   |   |   |
|                 | Resource other than above selected  |   |   |   |   |   | Hi-Z / Internal input fixed at 0                        |   |   |   |
|                 | GPIO selected                       |   |   |   |   |   |   |   |   |   |
| P               | WKUP enabled                        | Setting disabled                              | Setting disabled  | Setting disabled  | Maintain previous state                                 | Maintain previous state                                 | Maintain previous state                                 | WKUP input enabled                                      | Hi-Z / WKUP input enabled                               | GPIO selected   |
|                 | Resource other than above selected  |   |   |   |   |   | Hi-Z / Internal input fixed at 0                        | GPIO selected<br>Internal input fixed at 0              | Hi-Z / Internal input fixed at 0                        |   |
|                 | GPIO selected                       |   |   |   |   |   |   |   |   |   |

| Pin status Type | Function Group                      | Power-on Reset or Low-Voltage Detection State | INITX Input State    | Device Internal Reset State | Run Mode or Sleep Mode State                                | Timer Mode RTC Mode or Stop Mode State                      |                                  | Deep Standby RTC Mode or Deep Standby Stop Mode State |                                  | Return from Deep Standby Mode State |
|-----------------|-------------------------------------|---|----------------------|-----------------------------|---|---|----------------------------------|---|----------------------------------|-------------------------------------|
|                 |                                     | Power Supply Unstable                         | Power Supply Stable  |                             | Power Supply Stable   | Power Supply Stable   |                                  | Power Supply Stable                                   |                                  | Power Supply Stable                 |
|                 |                                     | -   | INITX=0              | INITX=1                     | INITX=1   | INITX=1   |                                  | INITX=1   |                                  | INITX=1                             |
|                 |                                     | -   | -                    | -                           | -   | SPL=0   | SPL=1                            | SPL=0   | SPL=1                            | -                                   |
| Q               | WKUP enabled                        | Setting disabled                              | Setting disabled     | Setting disabled            | Maintain previous state                                     | Maintain previous state                                     | Maintain previous state          | WKUP input enabled                                    | Hi-Z / WKUP input enabled        | WKUP input enabled                  |
|                 | External interrupt enabled selected |   |                      |                             |   |   |                                  | GPIO selected Internal input fixed at 0               | Hi-Z / Internal input fixed at 0 | GPIO selected                       |
|                 | Resource other than above selected  | Hi-Z  | Hi-Z / input enabled | Hi-Z / input enabled        |   |   |                                  |   |                                  |                                     |
|                 | GPIO selected                       |   |                      |                             |   |   |                                  |   |                                  |                                     |
| R               | GPIO selected                       | Hi-Z  | Hi-Z / input enabled | Hi-Z / input enabled        | Maintain previous state                                     | Maintain previous state                                     | Hi-Z / Internal input fixed at 0 | GPIO selected Internal input fixed at 0               | Hi-Z / Internal input fixed at 0 | GPIO selected                       |
|                 | USB I/O pin                         | Setting disabled                              | Setting disabled     | Setting disabled            | Hi-Z at transmission/Internal input fixed at 0 at reception | Hi-Z at transmission/Internal input fixed at 0 at reception | Hi-Z / input enabled             | Hi-Z / input enabled                                  | Hi-Z / input enabled             | Hi-Z / input enabled                |

\*1: Oscillation is stopped at Sub timer mode, low-speed CR timer mode, RTC mode, Stop mode, Deep standby RTC mode, and Deep standby Stop mode.

**List of VBAT Domain Pin Status**

| VBAT Pin Status Type | Function Group   | Power-on Reset*1                                 | INITX Input State         | Device Internal Reset State | Run Mode or Sleep Mode State | Timer Mode RTC Mode or Stop Mode State                   |  | Deep Standby RTC Mode or Deep Standby Stop Mode State    |  | Return from Deep Standby Mode State | VBAT RTC Mode State     | Return from VBAT RTC Mode State |
|----------------------|--|--|---------------------------|-----------------------------|------------------------------|--|--|--|--|-------------------------------------|-------------------------|---------------------------------|
|                      |  | Power Supply Unstable                            | Power Supply Stable       |                             | Power Supply Stable          | Power Supply Stable                                      |  | Power Supply Stable                                      |  | Power Supply Stable                 | Power Supply Stable     | Power Supply Stable             |
|                      |  | -  | INITX=0                   | INITX=1                     | INITX=1                      | INITX=1  |  | INITX=1  |  | INITX=1                             | -                       | -                               |
|                      |  | -  | -                         | -                           | -                            | SPL=0  | SPL=1  | SPL=0  | SPL=1  | -                                   | -                       | -                               |
| S                    | GPIO selected  | Setting disabled                                 | Internal input fixed at 0 | Internal input fixed at 0   | Input enabled                | Input enabled  | Input enabled  | Input enabled  | Input enabled  | Input enabled                       | Setting prohibition     | -                               |
|                      | Sub crystal oscillator input pin / External sub clock input selected | Input enabled                                    | Input enabled             | Input enabled               | Input enabled                | Input enabled  | Input enabled  | Input enabled  | Input enabled  | Input enabled                       | Maintain previous state | Maintain previous state         |
| T                    | GPIO selected  | Setting disabled                                 | Internal input fixed at 0 | Internal input fixed at 0   | Input enabled                | Input enabled  | Input enabled  | Input enabled  | Input enabled  | Input enabled                       | Setting prohibition     | -                               |
|                      | External sub clock input selected                                    | Setting disabled                                 | Maintain previous state   | Maintain previous state     | Maintain previous state      | Maintain previous state                                  | Maintain previous state                                  | Maintain previous state                                  | Maintain previous state                                  | Maintain previous state             | Maintain previous state | Maintain previous state         |
|                      | Sub crystal oscillator output pin                                    | Hi-Z/ Internal input fixed at 0 or input enabled | Maintain previous state   | Maintain previous state     | Maintain previous state      | Maintain previous state / When oscillation stops, Hi-Z*2 | Maintain previous state / When oscillation stops, Hi-Z*2 | Maintain previous state / When oscillation stops, Hi-Z*2 | Maintain previous state / When oscillation stops, Hi-Z*2 | Maintain previous state             | Maintain previous state | Maintain previous state         |
| U                    | Resource selected  | Hi-Z   | Maintain previous state   | Maintain previous state     | Maintain previous state      | Maintain previous state                                  | Maintain previous state                                  | Maintain previous state                                  | Maintain previous state                                  | Maintain previous state             | Maintain previous state | Maintain previous state         |
|                      | GPIO selected  |  | Maintain previous state   | Maintain previous state     | Maintain previous state      | Maintain previous state                                  | Maintain previous state                                  | Maintain previous state                                  | Maintain previous state                                  | Maintain previous state             | Maintain previous state | Maintain previous state         |

\*1: When VBAT and VCC power on.

\*2: When the SOSCNL bit in the WTOSCCNT register is 0, Sub crystal oscillator output pin is maintain previous state.  
When the SOSCNL bit in the WTOSCCNT register is 1, Oscillation is stopped at Stop mode and Deep standby Stop mode



## 12. Electrical Characteristics

### 12.1 Absolute Maximum Ratings

| Parameter                               | Symbol             | Rating                |                                     | Unit | Remarks              |
|---|--------------------|-----------------------|-------------------------------------|------|----------------------|
|   |                    | Min                   | Max                                 |      |                      |
| Power supply voltage *1, *2             | V <sub>CC</sub>    | V <sub>SS</sub> - 0.5 | V <sub>SS</sub> + 4.6               | V    |                      |
| Power supply voltage (VBAT) *1, *3      | V <sub>BAT</sub>   | V <sub>SS</sub> - 0.5 | V <sub>SS</sub> + 4.6               | V    |                      |
| Analog power supply voltage *1, *4      | AV <sub>CC</sub>   | V <sub>SS</sub> - 0.5 | V <sub>SS</sub> + 4.6               | V    |                      |
| Analog reference voltage *1, *4         | AV <sub>RH</sub>   | V <sub>SS</sub> - 0.5 | V <sub>SS</sub> + 4.6               | V    |                      |
| Input voltage *1                        | V <sub>I</sub>     | V <sub>SS</sub> - 0.5 | V <sub>CC</sub> + 0.5<br>(≤ 4.6 V)  | V    |                      |
|   |                    | V <sub>SS</sub> - 0.5 | V <sub>SS</sub> + 6.5               | V    | 5 V tolerant         |
| Analog pin input voltage *1             | V <sub>IA</sub>    | V <sub>SS</sub> - 0.5 | AV <sub>CC</sub> + 0.5<br>(≤ 4.6 V) | V    |                      |
| Output voltage *1                       | V <sub>O</sub>     | V <sub>SS</sub> - 0.5 | V <sub>CC</sub> + 0.5<br>(≤ 4.6 V)  | V    |                      |
| L level maximum output current *5       | I <sub>OL</sub>    | -                     | 10                                  | mA   | 2 mA type            |
|   |                    |                       | 20                                  | mA   | 4 mA type            |
|   |                    |                       | 20                                  | mA   | 8 mA type            |
|   |                    |                       | 20                                  | mA   | 11 mA type           |
|   |                    |                       | 22.4                                | mA   | I <sup>2</sup> C Fm+ |
| L level average output current *6       | I <sub>OLAV</sub>  | -                     | 2                                   | mA   | 2 mA type            |
|   |                    |                       | 4                                   | mA   | 4 mA type            |
|   |                    |                       | 8                                   | mA   | 8 mA type            |
|   |                    |                       | 11                                  | mA   | 11 mA type           |
|   |                    |                       | 20                                  | mA   | I <sup>2</sup> C Fm+ |
| L level total maximum output current    | ∑I <sub>OL</sub>   | -                     | 100                                 | mA   |                      |
| L level total average output current *7 | ∑I <sub>OLAV</sub> | -                     | 50                                  | mA   |                      |
| H level maximum output current *5       | I <sub>OH</sub>    | -                     | - 10                                | mA   | 2 mA type            |
|   |                    |                       | -20                                 | mA   | 4 mA type            |
|   |                    |                       | - 20                                | mA   | 8 mA type            |
|   |                    |                       | - 20                                | mA   | 11 mA type           |
| H level average output current *6       | I <sub>OHAV</sub>  | -                     | - 2                                 | mA   | 2 mA type            |
|   |                    |                       | -4                                  | mA   | 4 mA type            |
|   |                    |                       | - 8                                 | mA   | 8 mA type            |
|   |                    |                       | - 11                                | mA   | 11 mA type           |
| H level total maximum output current    | ∑I <sub>OH</sub>   | -                     | - 100                               | mA   |                      |
| H level total average output current *7 | ∑I <sub>OHAV</sub> | -                     | - 50                                | mA   |                      |
| Power consumption                       | P <sub>D</sub>     | -                     | 200                                 | mW   |                      |
| Storage temperature                     | T <sub>STG</sub>   | - 55                  | + 150                               | °C   |                      |

\*1: These parameters are based on the condition that V<sub>SS</sub> = AV<sub>SS</sub> = 0.0 V.

\*2: V<sub>CC</sub> must not drop below V<sub>SS</sub> - 0.5 V.

\*3: V<sub>BAT</sub> must not drop below V<sub>SS</sub> - 0.5 V.

\*4: Ensure that the voltage does not exceed V<sub>CC</sub> + 0.5 V, for example, when the power is turned on.

\*5: The maximum output current is defined as the value of the peak current flowing through any one of the corresponding pins.

\*6: The average output current is defined as the average current value flowing through any one of the corresponding pins for a 100 ms period.

\*7: The total average output current is defined as the average current value flowing through all of corresponding pins for a 100 ms.

#### WARNING:

- Semiconductor devices may be permanently damaged by application of stress (including, without limitation, voltage, current or temperature) in excess of absolute maximum ratings. Do not exceed any of these ratings.

**12.2 Recommended Operating Conditions**

| Parameter                   | Symbol               | Conditions     | Value            |                  | Unit | Remarks                            |
|-----------------------------|----------------------|----------------|------------------|------------------|------|------------------------------------|
|                             |                      |                | Min              | Max              |      |                                    |
| Power supply voltage        | V <sub>CC</sub>      | -              | 3.0              | 3.6              | V    | *1                                 |
|                             |                      |                | 2.7 *5           | 3.6              |      | *2                                 |
| Power supply voltage (VBAT) | V <sub>BAT</sub>     | -              | 1.65             | 3.6              | V    |                                    |
| Analog power supply voltage | AV <sub>CC</sub>     | -              | 2.7              | 3.6              | V    | AV <sub>CC</sub> = V <sub>CC</sub> |
| Analog reference voltage    | AVRH                 | -              | *4               | AV <sub>CC</sub> | V    |                                    |
|                             | AVRL                 | -              | AV <sub>SS</sub> | AV <sub>SS</sub> | V    |                                    |
| Smoothing capacitor         | C <sub>S</sub>       | -              | 1                | 10               | μF   | for built-in regulator *6          |
| Operating temperature       | Junction temperature | T <sub>J</sub> | -40              | + 125            | °C   |                                    |
|                             | Ambient temperature  | T <sub>A</sub> | -40              | *3               | °C   |                                    |

\*1: When using the GDC part .

When P81/UDP0 and P80/UDM0 pins are used as USB (UDP0, UDM0).

\*2: When P81/UDP0 and P80/UDM0 pins are used as GPIO (P81, P80).

\*3: The maximum temperature of the ambient temperature (T<sub>A</sub>) can guarantee a range that does not exceed the junction temperature (T<sub>J</sub>).

The calculation formula of the ambient temperature (T<sub>A</sub>) is shown below.

$$T_A(\text{Max}) = T_J(\text{Max}) - P_d(\text{Max}) \times \theta_{JA}$$

P<sub>d</sub>: Power dissipation (W)

θ<sub>JA</sub>: Package thermal resistance (°C/W)

$$P_d(\text{Max}) = V_{CC} \times I_{CC}(\text{Max}) + \sum (I_{OL} \times V_{OL}) + \sum ((V_{CC} - V_{OH}) \times (-I_{OH}))$$

I<sub>OL</sub>: L level output current

I<sub>OH</sub>: H level output current

V<sub>OL</sub>: L level output voltage

V<sub>OH</sub>: H level output voltage

\*4: The minimum value of Analog reference voltage depends on the value of compare clock cycle (t<sub>CCCK</sub>). See 14.5 12-bit A/D Converter for the details.

\*5: In between less than the minimum power supply voltage and low voltage reset/interrupt detection voltage or more, instruction execution and low voltage detection function by built-in High-speed CR(including Main PLL is used) or built-in Low-speed CR is possible to operate only.

\*6: See "C pin" in "7. Handling Devices" for the connection of the smoothing capacitor.

Package thermal resistance and maximum permissible power for each package are shown below. The operation is guaranteed maximum permissible power or less for semiconductor devices.

**Table 12-1 Table for Package Thermal Resistance and Maximum Permissible Power**

| Package                        | Printed Circuit Board | Thermal Resistance $\theta_{JA}$ (°C/W) | Maximum Permissible Power (mW) |                         |
|--------------------------------|-----------------------|---|--------------------------------|-------------------------|
|                                |                       |   | T <sub>A</sub> = +85°C         | T <sub>A</sub> = +105°C |
| LQFP: LQM120 (0.5 mm pitch)    | 4 layers              | 38                                      | 1053                           | 526                     |
| LQFP: LQM120 *1 (0.5 mm pitch) | 4 layers              | 39                                      | 1026                           | 513                     |
| LQFP: LQP176 (0.5 mm pitch)    | 4 layers              | 35                                      | 1143                           | 571                     |
| FBGA: FDJ161 (0.5 mm pitch)    | 4 layers              | 35                                      | 1143                           | 571                     |
| Ex-LQFP: LEM120 (0.5 mm pitch) | 4 layers              | 18*2                                    | 2222                           | 1111                    |

\*1: When S6E2D35GJA product.

\*2: This is a case where the connection process was carried out back exposed die pad foundation. Please connect directly to GND back exposed die pad.

**Notes:**

1. The recommended operating conditions are required in order to ensure the normal operation of the semiconductor device. All of the device's electrical characteristics are warranted when the device is operated within these ranges.
2. Always use semiconductor devices within their recommended operating condition ranges. Operation outside these ranges may adversely affect reliability and could result in device failure.
3. No warranty is made with respect to uses, operating conditions, or combinations not represented on the data sheet.
4. Users considering application outside the listed conditions are advised to contact their representatives beforehand.

**Calculation Method of Power Dissipation (Pd)**

The power dissipation is shown in the following formula.

$$Pd = V_{CC} \times I_{CC} + \sum (I_{OL} \times V_{OL}) + \sum ((V_{CC}-V_{OH}) \times (-I_{OH}))$$

- I<sub>OL</sub>: L level output current
- I<sub>OH</sub>: H level output current
- V<sub>OL</sub>: L level output voltage
- V<sub>OH</sub>: H level output voltage

I<sub>CC</sub> is a current consumed in device.  
It can be analyzed as follows.

$$I_{CC} = I_{CC}(INT) + \sum I_{CC}(IO)$$

- I<sub>CC</sub>(INT): Current consumed in internal logic and memory, etc. through regulator
- $\sum I_{CC}(IO)$ : Sum of current (I/O switching current) consumed in output pin

For I<sub>CC</sub> (INT), it can be anticipated by "(1) Current Rating" in "3. DC Characteristics" (This rating value does not include I<sub>CC</sub> (IO) for a value at pin fixed).

For I<sub>CC</sub> (IO), it depends on system used by customers.  
The calculation formula is shown below.

$$I_{CC}(IO) = (C_{INT} + C_{EXT}) \times V_{CC} \times f_{sw}$$

- C<sub>INT</sub>: Pin internal load capacitance
- C<sub>EXT</sub>: External load capacitance of output pin
- f<sub>sw</sub>: Pin switching frequency

| Parameter                     | Symbol           | Conditions | Capacitance Value |
|-------------------------------|------------------|------------|-------------------|
| Pin internal load capacitance | C <sub>INT</sub> | 2 mA type  | 1.93 pF           |
|                               |                  | 4 mA type  | 3.45 pF           |
|                               |                  | 8 mA type  | 3.42 pF           |

Calculate I<sub>CC</sub> (Max) as follows when the power dissipation can be evaluated by yourself.

- (1) Measure current value I<sub>CC</sub> (Typ) at normal temperature (+25°C).
- (2) Add maximum leak current value I<sub>CC</sub> (leak\_max) at operating on a value in (1).

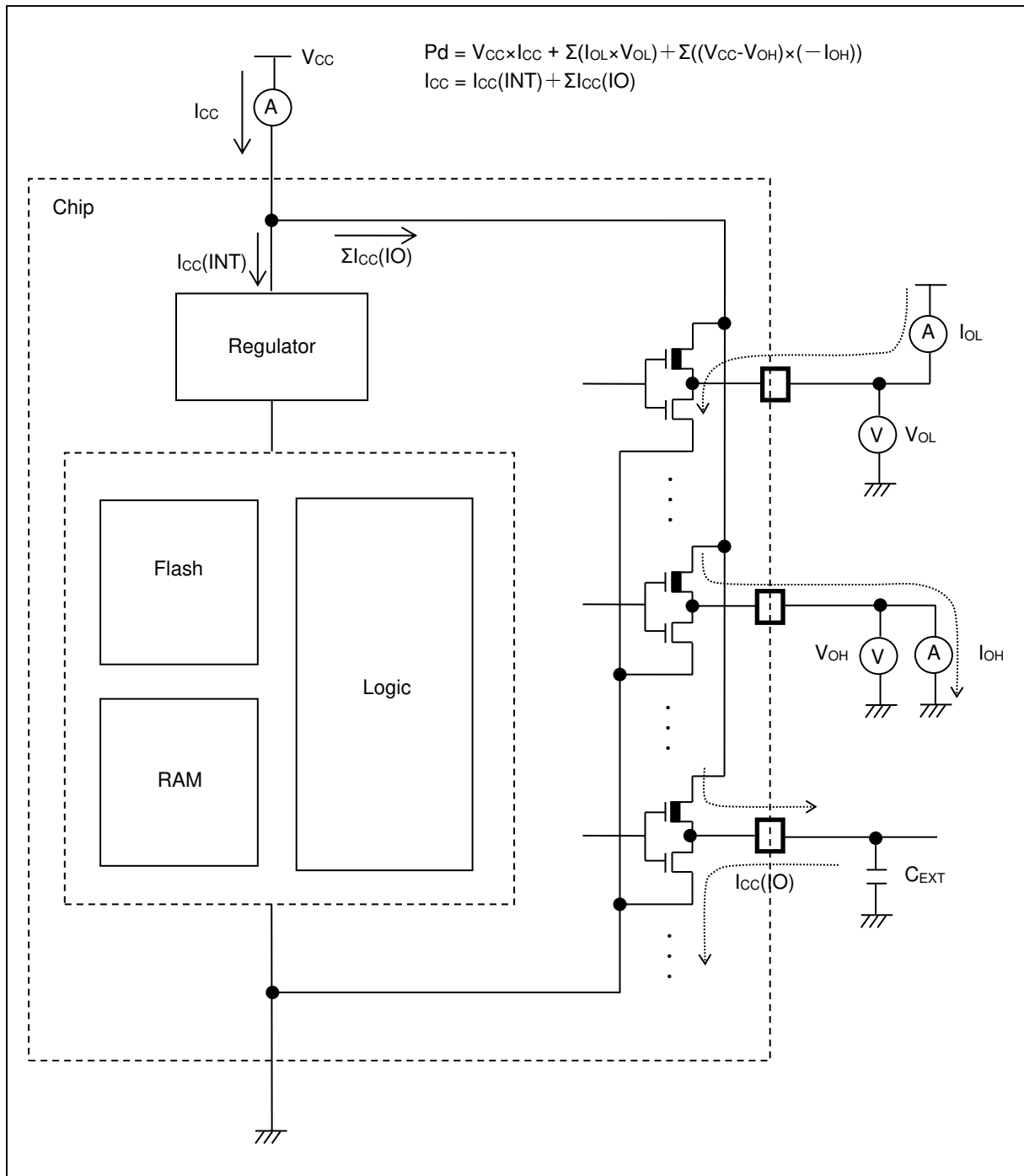
$$I_{CC}(Max) = I_{CC}(Typ) + I_{CC}(leak\_max)$$

| Parameter                         | Symbol                     | Conditions               | Current Value |
|-----------------------------------|----------------------------|--------------------------|---------------|
| Maximum leak current at operating | I <sub>CC</sub> (leak_max) | T <sub>J</sub> = +125 °C | 66.8 mA       |
|                                   |                            | T <sub>J</sub> = +105 °C | 33.7 mA       |
|                                   |                            | T <sub>J</sub> = +85 °C  | 22.8 mA       |

**Note:**

- VFLASH of current is not included

**Current Explanation Diagram**



12.3 DC Characteristics

12.3.1 Current Rating

Table 12-2 Typical and Maximum Current Consumption in Normal Operation (PLL), Code Running from Flash Memory (Flash Accelerator Mode and Trace Buffer Function Enabled)

| Parameter            | Symbol          | Pin Name | Conditions                     | Frequency*4 (MHz) | Value   |       | Unit | Remarks |  |
|----------------------|-----------------|----------|--------------------------------|-------------------|---------|-------|------|---------|--|
|                      |                 |          |                                |                   | Typ*1   | Max*2 |      |         |  |
| Power supply current | I <sub>CC</sub> | VCC      | Normal operation *6,*7 (PLL)   | *5                | 160 MHz | 182   | 279  | mA      | *3<br>When all peripheral clocks are ON<br>GDC clock 160 MHz |
|                      |                 |          |                                |                   | 144 MHz | 176   | 270  | mA      |  |
|                      |                 |          |                                |                   | 120 MHz | 167   | 256  | mA      |  |
|                      |                 |          |                                |                   | 100 MHz | 159   | 244  | mA      |  |
|                      |                 |          |                                |                   | 80 MHz  | 151   | 233  | mA      |  |
|                      |                 |          |                                |                   | 60 MHz  | 143   | 221  | mA      |  |
|                      |                 |          |                                |                   | 40 MHz  | 136   | 210  | mA      |  |
|                      |                 |          |                                |                   | 20 MHz  | 128   | 199  | mA      |  |
|                      |                 |          |                                |                   | 8 MHz   | 123   | 191  | mA      |  |
|                      |                 |          | 4 MHz                          | 122               | 190     | mA    |      |         |  |
|                      |                 |          | Normal operation , *6,*7 (PLL) | *5                | 160 MHz | 43    | 117  | mA      | *3<br>When all peripheral clocks are OFF                     |
|                      |                 |          |                                |                   | 144 MHz | 39    | 112  | mA      |  |
|                      |                 |          |                                |                   | 120 MHz | 34    | 106  | mA      |  |
|                      |                 |          |                                |                   | 100 MHz | 29    | 100  | mA      |  |
|                      |                 |          |                                |                   | 80 MHz  | 24    | 95   | mA      |  |
|                      |                 |          |                                |                   | 60 MHz  | 20    | 90   | mA      |  |
|                      |                 |          |                                |                   | 40 MHz  | 15    | 84   | mA      |  |
|                      |                 |          |                                |                   | 20 MHz  | 10    | 78   | mA      |  |
| 8 MHz                | 7               | 74       |                                |                   | mA      |       |      |         |  |
| 4 MHz                | 6               | 73       | mA                             |                   |         |       |      |         |  |

\*1: T<sub>A</sub>=+25°C, V<sub>CC</sub>=3.3 V

\*2: T<sub>J</sub>=+125°C, V<sub>CC</sub>=3.6 V

\*3: When all ports are fixed.

\*4: Frequency is a value of HCLK. PCLK0=PCLK1=PCLK2=HCLK/2

\*5: When operating flash accelerator mode and trace buffer function (FRWTR.RWT = 10, FBFCR.BE = 1)

\*6: Data access is nothing to main flash memory and VFLASH memory

\*7: When using the crystal oscillator of 4 MHz (including the current consumption of the oscillation circuit)

**Table 12-3 Typical and Maximum Current Consumption in Normal Operation (PLL), Code with Data Accessing Running from Flash Memory (Flash Accelerator Mode and Trace Buffer Function Disabled)**

| Parameter            | Symbol          | Pin Name | Conditions                            | Frequency* <sup>4</sup><br>(MHz) | Value             |                   | Unit | Remarks |  |
|----------------------|-----------------|----------|---------------------------------------|----------------------------------|-------------------|-------------------|------|---------|--|
|                      |                 |          |                                       |                                  | Typ* <sup>1</sup> | Max* <sup>2</sup> |      |         |  |
| Power supply current | I <sub>CC</sub> | VCC      | Normal operation<br>*6,*7,*8<br>(PLL) | *5                               | 160 MHz           | 185               | 285  | mA      | *3<br>When all peripheral clocks are ON<br>GDC clock 160 MHz |
|                      |                 |          |                                       |                                  | 144 MHz           | 179               | 276  | mA      |  |
|                      |                 |          |                                       |                                  | 120 MHz           | 169               | 261  | mA      |  |
|                      |                 |          |                                       |                                  | 100 MHz           | 161               | 250  | mA      |  |
|                      |                 |          |                                       |                                  | 80 MHz            | 154               | 239  | mA      |  |
|                      |                 |          |                                       |                                  | 60 MHz            | 146               | 227  | mA      |  |
|                      |                 |          |                                       |                                  | 40 MHz            | 138               | 215  | mA      |  |
|                      |                 |          |                                       |                                  | 20 MHz            | 130               | 204  | mA      |  |
|                      |                 |          |                                       |                                  | 8 MHz             | 125               | 196  | mA      |  |
|                      |                 |          | 4 MHz                                 | 124                              | 195               | mA                |      |         |  |
|                      |                 |          | Normal operation<br>*6,*7,*8<br>(PLL) | *5                               | 160 MHz           | 45                | 122  | mA      | *3<br>When all peripheral clocks are OFF                     |
|                      |                 |          |                                       |                                  | 144 MHz           | 41                | 117  | mA      |  |
|                      |                 |          |                                       |                                  | 120 MHz           | 36                | 111  | mA      |  |
|                      |                 |          |                                       |                                  | 100 MHz           | 31                | 105  | mA      |  |
|                      |                 |          |                                       |                                  | 80 MHz            | 26                | 99   | mA      |  |
|                      |                 |          |                                       |                                  | 60 MHz            | 22                | 94   | mA      |  |
|                      |                 |          |                                       |                                  | 40 MHz            | 17                | 89   | mA      |  |
|                      |                 |          |                                       |                                  | 20 MHz            | 12                | 83   | mA      |  |
| 8 MHz                | 10              | 80       |                                       |                                  | mA                |                   |      |         |  |
| 4 MHz                | 9               | 79       | mA                                    |                                  |                   |                   |      |         |  |

\*1: T<sub>A</sub>=+25°C, V<sub>CC</sub>=3.3 V

\*2: T<sub>J</sub>=+125°C, V<sub>CC</sub>=3.6 V

\*3: When all ports are fixed.

\*4: Frequency is a value of HCLK. PCLK0=PCLK2=HCLK/2, PCLK1=HCLK

\*5: When not operating flash accelerator mode and trace buffer function (FRWTR.RWT = 10, FBFCR.BE = 0)

\*6: With data access to a main flash memory.

\*7: When using the crystal oscillator of 4 MHz (including the current consumption of the oscillation circuit)

\*8: Data access is nothing to VFLASH memory

**Table 12-4 Typical and Maximum Current Consumption in Normal Operation (PLL), Code with Data Accessing Running from Flash Memory (Flash 0 Wait-cycle Mode and Read Access 0 Wait)**

| Parameter            | Symbol          | Pin Name | Conditions   | Frequency* <sup>4</sup><br>(MHz) | Value             |                   | Unit | Remarks |  |
|----------------------|-----------------|----------|--|----------------------------------|-------------------|-------------------|------|---------|--|
|                      |                 |          |  |                                  | Typ* <sup>1</sup> | Max* <sup>2</sup> |      |         |  |
| Power supply current | I <sub>CC</sub> | VCC      | Normal operation, * <sup>6</sup> , * <sup>7</sup> , * <sup>8</sup> (PLL) | * <sup>5</sup>                   | 72 MHz            | 168               | 251  | mA      | * <sup>3</sup><br>When all peripheral clocks are ON<br>GDC clock 160 MHz |
|                      |                 |          |  |                                  | 60 MHz            | 161               | 242  | mA      |  |
|                      |                 |          |  |                                  | 48 MHz            | 154               | 233  | mA      |  |
|                      |                 |          |  |                                  | 36 MHz            | 147               | 224  | mA      |  |
|                      |                 |          |  |                                  | 24 MHz            | 140               | 214  | mA      |  |
|                      |                 |          |  |                                  | 12 MHz            | 133               | 205  | mA      |  |
|                      |                 |          |  |                                  | 8 MHz             | 131               | 202  | mA      |  |
|                      |                 |          |  |                                  | 4 MHz             | 128               | 199  | mA      |  |
|                      |                 |          |  | * <sup>5</sup>                   | 72 MHz            | 41                | 114  | mA      | * <sup>3</sup><br>When all peripheral clocks are OFF                     |
|                      |                 |          |  |                                  | 60 MHz            | 36                | 108  | mA      |  |
|                      |                 |          |  |                                  | 48 MHz            | 32                | 104  | mA      |  |
|                      |                 |          |  |                                  | 36 MHz            | 27                | 98   | mA      |  |
|                      |                 |          |  |                                  | 24 MHz            | 23                | 94   | mA      |  |
|                      |                 |          |  |                                  | 12 MHz            | 18                | 88   | mA      |  |
|                      |                 |          |  |                                  | 8 MHz             | 17                | 87   | mA      |  |
|                      |                 |          |  |                                  | 4 MHz             | 15                | 85   | mA      |  |

\*1: T<sub>A</sub>=+25°C, V<sub>CC</sub>=3.3 V

\*2: T<sub>J</sub>=+125°C, V<sub>CC</sub>=3.6 V

\*3: When all ports are fixed.

\*4: Frequency is a value of HCLK. PCLK0=PCLK1=PCLK2=HCLK

\*5: When operating flash 0 wait-cycle mode and read access 0 wait (FRWTR.RWT = 00, FSYNDN.SD = 000)

\*6: With data access to a main flash memory.

\*7: When using the crystal oscillator of 4 MHz (including the current consumption of the oscillation circuit)

\*8: Data access is nothing to VFLASH memory



**Table 12-5 Typical and Maximum Current Consumption in Normal Operation (other than PLL), Code with Data Accessing Running from Flash Memory (Flash 0 Wait-cycle Mode and Read Access 0 Wait)**

| Parameter            | Symbol          | Pin Name        | Conditions                                       | Frequency* <sup>4</sup><br>(MHz) | Value             |                   | Unit  | Remarks |  |
|----------------------|-----------------|-----------------|--|----------------------------------|-------------------|-------------------|-------|---------|--|
|                      |                 |                 |  |                                  | Typ* <sup>1</sup> | Max* <sup>2</sup> |       |         |  |
| Power supply current | I <sub>CC</sub> | V <sub>CC</sub> | Normal operation, *6,*8 (built-in High-speed CR) | *5                               | 4 MHz             | 110               | 181   | mA      | *3<br>When all peripheral clocks are ON<br>GDC clock 160 MHz |
|                      |                 |                 |  |                                  |                   | 4.1               | 74    | mA      | *3<br>When all peripheral clocks are OFF                     |
|                      |                 |                 | Normal operation, *6,*7,*8 (Sub oscillation)     | *5                               | 32 kHz            | 0.7               | 76.65 | mA      | *3<br>When all peripheral clocks are ON                      |
|                      |                 |                 |  |                                  |                   | 0.69              | 71.65 | mA      | *3<br>When all peripheral clocks are OFF                     |
|                      |                 |                 | Normal operation, *6,*8 (built-in Low-speed CR)  | *5                               | 100 kHz           | 0.74              | 88.65 | mA      | *3<br>When all peripheral clocks are ON                      |
|                      |                 |                 |  |                                  |                   | 0.73              | 74.65 | mA      | *3<br>When all peripheral clocks are OFF                     |

\*1: T<sub>A</sub>=+25°C, V<sub>CC</sub>=3.3 V

\*2: T<sub>J</sub>=+125°C, V<sub>CC</sub>=3.6 V

\*3: When all ports are fixed.

\*4: Frequency is a value of HCLK. PCLK0=PCLK1=PCLK2=HCLK/2

\*5: When operating flash 0 wait-cycle mode and read access 0 wait (FRWTR.RWT = 00, FSYNDN.SD = 000)

\*6: With data access to a main flash memory.

\*7: When using the crystal oscillator of 32 kHz (including the current consumption of the oscillation circuit)

\*8: Data access is nothing to VFLASH memory

**Table 12-6 Typical and Maximum Current Consumption in Sleep Operation (PLL), when PCLK0 = PCLK1 = PCLK2 = HCLK/2**

| Parameter            | Symbol           | Pin Name | Conditions   | Frequency* <sup>4</sup><br>(MHz) | Value             |                   | Unit | Remarks  |
|----------------------|------------------|----------|--|----------------------------------|-------------------|-------------------|------|--|
|                      |                  |          |  |                                  | Typ* <sup>1</sup> | Max* <sup>2</sup> |      |  |
| Power supply current | I <sub>CCS</sub> | VCC      | Sleep * <sup>5</sup> ,* <sup>6</sup> operation (PLL) | 160 MHz                          | 103               | 181               | mA   | * <sup>3</sup><br>When all peripheral clocks are ON<br>GDC clock 160 MHz |
|                      |                  |          |  | 144 MHz                          | 98                | 175               | mA   |  |
|                      |                  |          |  | 120 MHz                          | 91                | 168               | mA   |  |
|                      |                  |          |  | 100 MHz                          | 86                | 162               | mA   |  |
|                      |                  |          |  | 80 MHz                           | 80                | 155               | mA   |  |
|                      |                  |          |  | 60 MHz                           | 74                | 149               | mA   |  |
|                      |                  |          |  | 40 MHz                           | 69                | 143               | mA   |  |
|                      |                  |          |  | 20 MHz                           | 63                | 137               | mA   |  |
|                      |                  |          |  | 8 MHz                            | 59                | 132               | mA   |  |
|                      |                  |          | 4 MHz  | 58                               | 131               | mA                |      |  |
|                      |                  |          | Sleep * <sup>5</sup> ,* <sup>6</sup> operation (PLL) | 160 MHz                          | 24                | 91                | mA   | * <sup>3</sup><br>When all peripheral clocks are OFF                     |
|                      |                  |          |  | 144 MHz                          | 22                | 89                | mA   |  |
|                      |                  |          |  | 120 MHz                          | 19                | 86                | mA   |  |
|                      |                  |          |  | 100 MHz                          | 16                | 83                | mA   |  |
|                      |                  |          |  | 80 MHz                           | 14                | 81                | mA   |  |
|                      |                  |          |  | 60 MHz                           | 11                | 78                | mA   |  |
|                      |                  |          |  | 40 MHz                           | 9                 | 76                | mA   |  |
|                      |                  |          |  | 20 MHz                           | 6                 | 73                | mA   |  |
| 8 MHz                | 5                | 72       |  | mA                               |                   |                   |      |  |
| 4 MHz                | 4                | 71       | mA   |                                  |                   |                   |      |  |

\*1: T<sub>A</sub>=+25°C, V<sub>CC</sub>=3.3 V

\*2: T<sub>J</sub>=+125°C, V<sub>CC</sub>=3.6 V

\*3: When all ports are fixed.

\*4: Frequency is a value of HCLK. PCLK0=PCLK1=PCLK2=HCLK/2

\*5: When using the crystal oscillator of 4 MHz (including the current consumption of the oscillation circuit)

\*6: Data access is nothing to VFLASH memory

**Table 12-7 Typical and Maximum Current Consumption in Sleep Operation (PLL), when PCLK0 = PCLK1 = PCLK2 = HCLK**

| Parameter            | Symbol           | Pin Name | Conditions  | Frequency* <sup>4</sup><br>(MHz) | Value             |                   | Unit | Remarks  |
|----------------------|------------------|----------|---|----------------------------------|-------------------|-------------------|------|--|
|                      |                  |          |   |                                  | Typ* <sup>1</sup> | Max* <sup>2</sup> |      |  |
| Power supply current | I <sub>CCS</sub> | VCC      | Sleep * <sup>5</sup> , * <sup>6</sup> operation (PLL) | 72 MHz                           | 84                | 160               | mA   | * <sup>3</sup><br>When all peripheral clocks are ON<br>GDC clock 160 MHz |
|                      |                  |          |   | 60 MHz                           | 80                | 155               | mA   |  |
|                      |                  |          |   | 48 MHz                           | 75                | 150               | mA   |  |
|                      |                  |          |   | 36 MHz                           | 71                | 145               | mA   |  |
|                      |                  |          |   | 24 MHz                           | 67                | 141               | mA   |  |
|                      |                  |          |   | 12 MHz                           | 63                | 137               | mA   |  |
|                      |                  |          |   | 8 MHz                            | 61                | 134               | mA   |  |
|                      |                  |          |   | 4 MHz                            | 60                | 133               | mA   |  |
|                      |                  |          |   | 72 MHz                           | 15                | 82                | mA   | * <sup>3</sup><br>When all peripheral clocks are OFF                     |
|                      |                  |          |   | 60 MHz                           | 13                | 80                | mA   |  |
|                      |                  |          |   | 48 MHz                           | 12                | 79                | mA   |  |
|                      |                  |          |   | 36 MHz                           | 10                | 77                | mA   |  |
|                      |                  |          |   | 24 MHz                           | 8                 | 75                | mA   |  |
|                      |                  |          |   | 12 MHz                           | 7                 | 74                | mA   |  |
|                      |                  |          |   | 8 MHz                            | 6                 | 73                | mA   |  |
|                      |                  |          |   | 4 MHz                            | 5                 | 72                | mA   |  |

\*1: T<sub>A</sub>=+25°C, V<sub>CC</sub>=3.3 V

\*2: T<sub>J</sub>=+125°C, V<sub>CC</sub>=3.6 V

\*3: When all ports are fixed.

\*4: Frequency is a value of HCLK. PCLK0=PCLK1=PCLK2=HCLK

\*5: When using the crystal oscillator of 4 MHz (including the current consumption of the oscillation circuit)

\*6: Data access is nothing to VFLASH memory

**Table 12-8 Typical and Maximum Current Consumption in Sleep Operation (other than PLL), when PCLK0 = PCLK1 = PCLK2 = HCLK/2**

| Parameter            | Symbol           | Pin Name        | Conditions                                  | Frequency* <sup>4</sup><br>(MHz) | Value             |                   | Unit | Remarks  |
|----------------------|------------------|-----------------|---|----------------------------------|-------------------|-------------------|------|--|
|                      |                  |                 |   |                                  | Typ* <sup>1</sup> | Max* <sup>2</sup> |      |  |
| Power supply current | I <sub>CCS</sub> | V <sub>CC</sub> | Sleep *6 operation (built-in High-speed CR) | 4 MHz                            | 56                | 126               | mA   | *3<br>When all peripheral clocks are ON<br>GDC clock 160 MHz |
|                      |                  |                 |   |                                  | 2                 | 72                | mA   | *3<br>When all peripheral clocks are OFF                     |
|                      |                  |                 | Sleep *5,*6 operation (Sub oscillation)     | 32 kHz                           | 0.52              | 69.65             | mA   | *3<br>When all peripheral clocks are ON                      |
|                      |                  |                 |   |                                  | 0.51              | 69.65             | mA   | *3<br>When all peripheral clocks are OFF                     |
|                      |                  |                 | Sleep *6 operation (built-in Low-speed CR)  | 100 kHz                          | 0.54              | 70.65             | mA   | *3<br>When all peripheral clocks are ON                      |
|                      |                  |                 |   |                                  | 0.52              | 69.65             | mA   | *3<br>When all peripheral clocks are OFF                     |

\*1: T<sub>A</sub>=+25°C, V<sub>CC</sub>=3.3 V

\*2: T<sub>J</sub>=+125°C, V<sub>CC</sub>=3.6 V

\*3: When all ports are fixed.

\*4: Frequency is a value of HCLK. PCLK0=PCLK1=PCLK2=HCLK/2

\*5: When using the crystal oscillator of 32 kHz (including the current consumption of the oscillation circuit)

\*6: Data access is nothing to VFLASH memory

**Table 12-9 Typical and Maximum Current Consumption in Stop Mode, Timer Mode and RTC Mode**

| Parameter            | Symbol            | Pin Name        | Conditions                          | Frequency (MHz) | Value |       | Unit | Remarks                          |
|----------------------|-------------------|-----------------|-------------------------------------|-----------------|-------|-------|------|----------------------------------|
|                      |                   |                 |                                     |                 | Typ*1 | Max*2 |      |                                  |
| Power supply current | I <sub>CCH</sub>  | V <sub>CC</sub> | Stop mode                           | -               | 0.41  | 2.07  | mA   | *3, *4<br>T <sub>A</sub> =+25°C  |
|                      |                   |                 |                                     |                 | -     | 21.35 | mA   | *3, *4<br>T <sub>A</sub> =+85°C  |
|                      |                   |                 |                                     |                 | -     | 30.57 | mA   | *3, *4<br>T <sub>A</sub> =+105°C |
|                      | I <sub>CC</sub> T |                 | Timer mode (built-in High-speed CR) | 4 MHz           | 1.14  | 2.8   | mA   | *3, *4<br>T <sub>A</sub> =+25°C  |
|                      |                   |                 |                                     |                 | -     | 22.08 | mA   | *3, *4<br>T <sub>A</sub> =+85°C  |
|                      |                   |                 |                                     |                 | -     | 31.3  | mA   | *3, *4<br>T <sub>A</sub> =+105°C |
|                      |                   |                 | Timer mode *5 (Sub oscillation)     | 32 kHz          | 0.43  | 2.09  | mA   | *3, *4<br>T <sub>A</sub> =+25°C  |
|                      |                   |                 |                                     |                 | -     | 21.37 | mA   | *3, *4<br>T <sub>A</sub> =+85°C  |
|                      |                   |                 |                                     |                 | -     | 30.59 | mA   | *3, *4<br>T <sub>A</sub> =+105°C |
|                      |                   |                 | Timer mode (built-in Low-speed CR)  | 100 kHz         | 0.43  | 2.09  | mA   | *3, *4<br>T <sub>A</sub> =+25°C  |
|                      |                   |                 |                                     |                 | -     | 21.37 | mA   | *3, *4<br>T <sub>A</sub> =+85°C  |
|                      |                   |                 |                                     |                 | -     | 30.59 | mA   | *3, *4<br>T <sub>A</sub> =+105°C |
|                      | I <sub>CCR</sub>  |                 | RTC mode (Sub oscillation)          | 32 kHz          | 0.41  | 2.07  | mA   | *3, *4<br>T <sub>A</sub> =+25°C  |
|                      |                   |                 |                                     |                 | -     | 21.35 | mA   | *3, *4<br>T <sub>A</sub> =+85°C  |
|                      |                   |                 |                                     |                 | -     | 30.57 | mA   | *3, *4<br>T <sub>A</sub> =+105°C |

\*1: V<sub>CC</sub>=3.3 V

\*2: V<sub>CC</sub>=3.6 V

\*3: When all ports are fixed.

\*4: When LVD is OFF

\*5: When using the crystal oscillator of 32 kHz (including the current consumption of the oscillation circuit)

**Table 12-10 Typical and Maximum Current Consumption in Deep Standby Stop Mode, Deep Standby RTC Mode and VBAT**

| Parameter            | Symbol              | Pin Name | Conditions                               | Frequency (MHz)                         | Value |       | Unit                             | Remarks                              |
|----------------------|---------------------|----------|--|---|-------|-------|----------------------------------|--------------------------------------|
|                      |                     |          |  |   | Typ*1 | Max*2 |                                  |                                      |
| Power supply current | I <sub>CCHD</sub>   | VCC      | Deep Standby Stop mode (When RAM is OFF) | -                                       | 108   | 173   | μA                               | *3, *4<br>T <sub>A</sub> =+25°C      |
|                      |                     |          |  |   | -     | 1774  | μA                               | *3, *4<br>T <sub>A</sub> =+85°C      |
|                      |                     |          |  |   | -     | 2208  | μA                               | *3, *4<br>T <sub>A</sub> =+105°C     |
|                      |                     |          | Deep Standby Stop mode (When RAM is ON)  |   | 112   | 177   | μA                               | *3, *4<br>T <sub>A</sub> =+25°C      |
|                      |                     |          |  |   | -     | 1778  | μA                               | *3, *4<br>T <sub>A</sub> =+85°C      |
|                      |                     |          |  |   | -     | 2212  | μA                               | *3, *4<br>T <sub>A</sub> =+105°C     |
|                      | I <sub>CCRD</sub>   |          | 32 kHz                                   | Deep Standby RTC mode (When RAM is OFF) | 109   | 174   | μA                               | *3, *4<br>T <sub>A</sub> =+25°C      |
|                      |                     |          |  |   | -     | 1771  | μA                               | *3, *4<br>T <sub>A</sub> =+85°C      |
|                      |                     |          |  |   | -     | 2205  | μA                               | *3, *4<br>T <sub>A</sub> =+105°C     |
|                      |                     |          |  | Deep Standby RTC mode (When RAM is ON)  | 113   | 178   | μA                               | *3, *4<br>T <sub>A</sub> =+25°C      |
|                      |                     |          |  |   | -     | 1775  | μA                               | *3, *4<br>T <sub>A</sub> =+85°C      |
|                      |                     |          |  |   | -     | 2209  | μA                               | *3, *4<br>T <sub>A</sub> =+105°C     |
|                      | I <sub>CCVBAT</sub> | VBAT     | RTC stop *8                              | -                                       | 0.009 | 0.032 | μA                               | *3, *4, *5<br>T <sub>A</sub> =+25°C  |
|                      |                     |          |  |   | -     | 0.994 | μA                               | *3, *4, *5<br>T <sub>A</sub> =+85°C  |
|                      |                     |          |  |   | -     | 1.491 | μA                               | *3, *4, *5<br>T <sub>A</sub> =+105°C |
|                      |                     |          | RTC *6, *8 operation                     |   | 1.0   | 1.636 | μA                               | *3, *4<br>T <sub>A</sub> =+25°C      |
|                      |                     |          |  |   | -     | 2.828 | μA                               | *3, *4<br>T <sub>A</sub> =+85°C      |
|                      |                     |          |  |   | -     | 4.242 | μA                               | *3, *4<br>T <sub>A</sub> =+105°C     |
| RTC *7, *8 operation |                     |          | 0.7                                      |   | 1.153 | μA    | *3, *4<br>T <sub>A</sub> =+25°C  |                                      |
|                      |                     |          | -  |   | 2.277 | μA    | *3, *4<br>T <sub>A</sub> =+85°C  |                                      |
|                      |                     |          | -  |   | 3.416 | μA    | *3, *4<br>T <sub>A</sub> =+105°C |                                      |
|                      |                     |          | -  |   | -     | -     | -                                |                                      |

\*1: V<sub>CC</sub>=3.3 V

\*2: V<sub>CC</sub>=3.6 V

\*3: When all ports are fixed.

\*4: When LVD is OFF

\*5: When sub oscillation is OFF

\*6: When using the crystal oscillator of 32 kHz (including the current consumption of the oscillation circuit)  
When the Standard setting (CCS/CCB=11001110)

\*7: When using the crystal oscillator of 32 kHz (including the current consumption of the oscillation circuit)  
When the low power setting (CCS/CCB=00000100)

\*8: In the case of setting RTC after VCC power on

**Table 12-11 Typical and Maximum Current Consumption in Low-voltage Detection Circuit, Main Flash Memory Write/erase, VFLASH Memory**

 (V<sub>CC</sub> = 2.7V to 3.6V, V<sub>SS</sub> = 0V)

| Parameter  | Symbol                 | Pin name       | Conditions     | Value |      |      | Unit | Remarks                     |
|--|------------------------|----------------|----------------|-------|------|------|------|-----------------------------|
|  |                        |                |                | Min   | Typ  | Max  |      |                             |
| Low-voltage detection circuit (LVD) power supply current | I <sub>CC</sub> LVD    | VCC            | At operation   | -     | 4    | 7    | μA   | For occurrence of interrupt |
| Main flash memory write/erase current                    | I <sub>CC</sub> FLASH  |                | At Write/Erase | -     | 13.4 | 15.8 | mA   |                             |
| VFLASH memory Standby current                            | I <sub>CC</sub> VFLASH |                | At Standby     | -     | 15   | 35   | μA   |                             |
| VFLASH memory Read current                               |                        |                | At Read        | -     | 9    | 14   | mA   | 40MHz                       |
|  |                        |                |                | -     | 13   | 20   |      | 80MHz                       |
| VFLASH memory write/erase current                        |                        | At Write/Erase | -              | 20    | 25   | mA   |      |                             |

**Peripheral Current Dissipation**

| Clock system | Peripheral                             | Unit                | Frequency (MHz) |      |      | Unit | Remarks  |  |
|--------------|--|---------------------|-----------------|------|------|------|--|--|
|              |  |                     | 40              | 80   | 160  |      |  |  |
| HCLK         | GPIO                                   | All ports           | 0.30            | 0.60 | 1.19 | mA   | T <sub>A</sub> =+25°C,<br>V <sub>CC</sub> =3.3 V |  |
|              | DMAC                                   | -                   | 0.99            | 1.95 | 3.82 |      |  |  |
|              | DSTC                                   | -                   | 0.41            | 0.83 | 1.61 |      |  |  |
|              | External bus I/F                       | -                   | 0.18            | 0.35 | 0.70 |      |  |  |
|              | USB                                    | 1ch.                | 0.47            | 0.93 | 1.85 |      |  |  |
|              | I <sup>2</sup> S                       | 1 unit              | 0.36            | 0.71 | 1.42 |      |  |  |
|              | Programmable CRC                       | -                   | 0.04            | 0.09 | 0.18 |      |  |  |
| PCLK1        | Base timer                             | 4ch.                | 0.20            | 0.39 | 0.76 | mA   | T <sub>A</sub> =+25°C,<br>V <sub>CC</sub> =3.3 V |  |
|              | Multi-functional timer/PPG             | 1unit/4ch.          | 0.61            | 1.21 | 2.40 |      |  |  |
|              | Quadrature position/Revolution counter | 1ch.                | 0.04            | 0.09 | 0.18 |      |  |  |
|              | A/DC                                   | 1 unit              | 0.25            | 0.50 | 1.00 |      |  |  |
| PCLK2        | Multi-function serial                  | 1ch.                | 0.44            | 0.88 | -    | mA   | T <sub>A</sub> =+25°C,<br>V <sub>CC</sub> =3.3 V |  |
| GECLK        | GDC unit                               | GDC                 | 1 unit          | 31   | 57   | 109  | mA   | T <sub>A</sub> =+25°C,<br>V <sub>CC</sub> =3.3 V |
|              |  | High-Speed Quad SPI | 1ch.            | 1.1  | 2.3  | -    |  |  |
|              |  | HyperBus I/F        | 1 unit          | 0.6  | 1.2  | -    |  |  |
|              |  | SDRAM-IF            | 1ch.            | 2.3  | 4.6  | -    |  |  |

## 12.3.2 Pin Characteristics

(V<sub>CC</sub> = 2.7V to 3.6V, V<sub>SS</sub> = 0V)

| Parameter                                | Symbol           | Pin Name                                    | Conditions  | Value                 |     |                       | Unit | Remarks                            |
|--|------------------|---|---|-----------------------|-----|-----------------------|------|------------------------------------|
|  |                  |   |   | Min                   | Typ | Max                   |      |                                    |
| H level input voltage (hysteresis input) | V <sub>IHS</sub> | CMOS hysteresis input pin, MD0, MD1         | -   | V <sub>CC</sub> ×0.8  | -   | V <sub>CC</sub> + 0.3 | V    |                                    |
|  |                  | 5 V tolerant input pin                      | -   | V <sub>CC</sub> ×0.8  | -   | V <sub>SS</sub> + 5.5 | V    |                                    |
|  |                  | Input pin doubled as I <sup>2</sup> C Fm+   | -   | V <sub>CC</sub> ×0.7  | -   | V <sub>SS</sub> + 5.5 | V    |                                    |
|  |                  | TTL Schmitt input pin                       | -   | 2.0                   | -   | V <sub>CC</sub> +0.3  | V    |                                    |
| L level input voltage (hysteresis input) | V <sub>ILS</sub> | CMOS hysteresis input pin, MD0, MD1         | -   | V <sub>SS</sub> - 0.3 | -   | V <sub>CC</sub> ×0.2  | V    |                                    |
|  |                  | 5 V tolerant input pin                      | -   | V <sub>SS</sub> - 0.3 | -   | V <sub>CC</sub> ×0.2  | V    |                                    |
|  |                  | Input pin doubled as I <sup>2</sup> C Fm+   | -   | V <sub>SS</sub>       | -   | V <sub>CC</sub> ×0.3  | V    |                                    |
|  |                  | TTL Schmitt input pin                       | -   | V <sub>SS</sub> - 0.3 | -   | 0.8                   | V    |                                    |
| H level output voltage                   | V <sub>OH</sub>  | 2 mA type                                   | I <sub>OH</sub> = - 2 mA                          | V <sub>CC</sub> - 0.5 | -   | V <sub>CC</sub>       | V    |                                    |
|  |                  | 4 mA type                                   | I <sub>OH</sub> = - 4 mA                          | V <sub>CC</sub> - 0.5 | -   | V <sub>CC</sub>       | V    |                                    |
|  |                  | 8 mA type                                   | I <sub>OH</sub> = - 8 mA                          | V <sub>CC</sub> - 0.5 | -   | V <sub>CC</sub>       | V    |                                    |
|  |                  | 11 mA type                                  | I <sub>OH</sub> = - 11 mA                         | V <sub>CC</sub> - 0.5 | -   | V <sub>CC</sub>       | V    | High-speed IO                      |
|  |                  | The pin doubled as USB I/O                  | I <sub>OH</sub> = - 13.0 mA                       | V <sub>CC</sub> - 0.4 | -   | V <sub>CC</sub>       | V    |                                    |
|  |                  | The pin doubled as I <sup>2</sup> C Fm+     | I <sub>OH</sub> = - 3 mA                          | V <sub>CC</sub> - 0.5 | -   | V <sub>CC</sub>       | V    | At GPIO                            |
| L level output voltage                   | V <sub>OL</sub>  | 2 mA type                                   | I <sub>OL</sub> = 2 mA                            | V <sub>SS</sub>       | -   | 0.4                   | V    |                                    |
|  |                  | 4 mA type                                   | I <sub>OL</sub> = 4 mA                            | V <sub>SS</sub>       | -   | 0.4                   | V    |                                    |
|  |                  | 8 mA type                                   | I <sub>OL</sub> = 8 mA                            | V <sub>SS</sub>       | -   | 0.4                   | V    |                                    |
|  |                  | 11 mA type                                  | I <sub>OL</sub> = 11 mA                           | V <sub>SS</sub>       | -   | 0.4                   | V    |                                    |
|  |                  | The pin doubled as USB I/O                  | I <sub>OL</sub> = 10.5 mA                         | V <sub>SS</sub>       | -   | 0.4                   | V    |                                    |
|  |                  | The pin doubled as I <sup>2</sup> C Fm+     | I <sub>OL</sub> = 3 mA<br>I <sub>OL</sub> = 20 mA | V <sub>SS</sub>       | -   | 0.4                   | V    | At GPIO<br>At I <sup>2</sup> C Fm+ |
| Input leak current                       | I <sub>IL</sub>  | -   | -   | - 5                   | -   | + 5                   | μA   |                                    |
| Pull-up resistor value                   | R <sub>PU</sub>  | Pull-up pin                                 | -   | 30                    | 80  | 200                   | kΩ   | High-speed IO                      |
|  |                  |   | -   | 15                    | 33  | 70                    |      |                                    |
| Input capacitance                        | C <sub>IN</sub>  | Other than VCC, VBAT, VSS, AVCC, AVSS, AVRH | -   | -                     | 5   | 15                    | pF   |                                    |



**12.4 AC Characteristics**

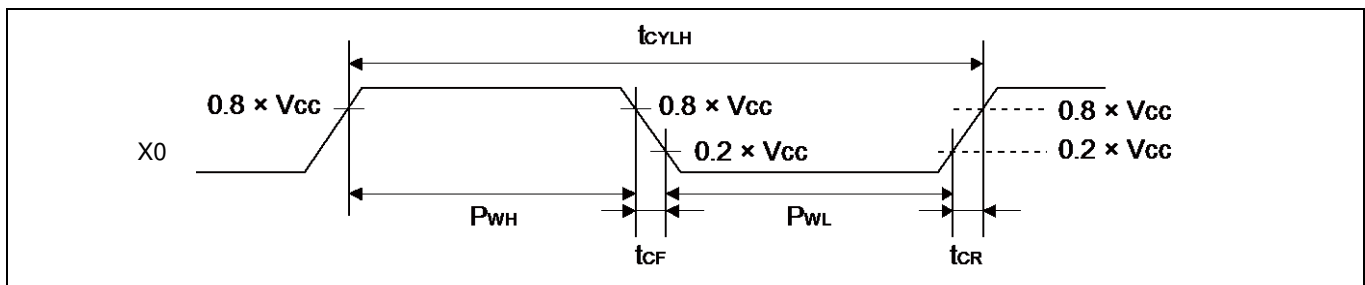
**12.4.1 Main Clock Input Characteristics**

(V<sub>CC</sub> = 2.7V to 3.6V, V<sub>SS</sub> = 0V)

| Parameter                                | Symbol                               | Pin Name  | Conditions   | Value |     | Unit | Remarks                              |
|--|--------------------------------------|-----------|--|-------|-----|------|--------------------------------------|
|  |                                      |           |  | Min   | Max |      |                                      |
| Input frequency                          | f <sub>CH</sub>                      | X0,<br>X1 | -  | 4     | 20  | MHz  | When crystal oscillator is connected |
|  |                                      |           | -  | 4     | 20  | MHz  | When using external clock            |
| Input clock cycle                        | t <sub>CY LH</sub>                   |           | -  | 50    | 250 | ns   | When using external clock            |
| Input clock pulse width                  | -                                    |           | P <sub>WH</sub> /t <sub>CY LH</sub> ,<br>P <sub>WL</sub> /t <sub>CY LH</sub> | 45    | 55  | %    | When using external clock            |
| Input clock rising time and falling time | t <sub>CF</sub> ,<br>t <sub>CR</sub> |           | -  | -     | 5   | ns   | When using external clock            |
| Internal operating clock*1 frequency     | f <sub>CM</sub>                      | -         | -  | -     | 160 | MHz  | Master clock                         |
|  | f <sub>CC</sub>                      | -         | -  | -     | 160 | MHz  | Base clock (HCLK/FCLK)               |
|  | f <sub>CP0</sub>                     | -         | -  | -     | 80  | MHz  | APB0 bus clock*2                     |
|  | f <sub>CP1</sub>                     | -         | -  | -     | 160 | MHz  | APB1 bus clock*2                     |
|  | f <sub>CP2</sub>                     | -         | -  | -     | 80  | MHz  | APB2 bus clock*2                     |
| Internal operating clock*1 cycle time    | t <sub>CY CC</sub>                   | -         | -  | 5     | -   | ns   | Base clock (HCLK/FCLK)               |
|  | t <sub>CY CP0</sub>                  | -         | -  | 10    | -   | ns   | APB0 bus clock*2                     |
|  | t <sub>CY CP1</sub>                  | -         | -  | 5     | -   | ns   | APB1 bus clock*2                     |
|  | t <sub>CY CP2</sub>                  | -         | -  | 10    | -   | ns   | APB2 bus clock*2                     |

\*1: For more information about each internal operating clock, see Chapter 2-1: Clock in FM4 Family Peripheral Manual Main part (002-04856).

\*2: For about each APB bus which each peripheral is connected to, see Block Diagram in this data sheet.

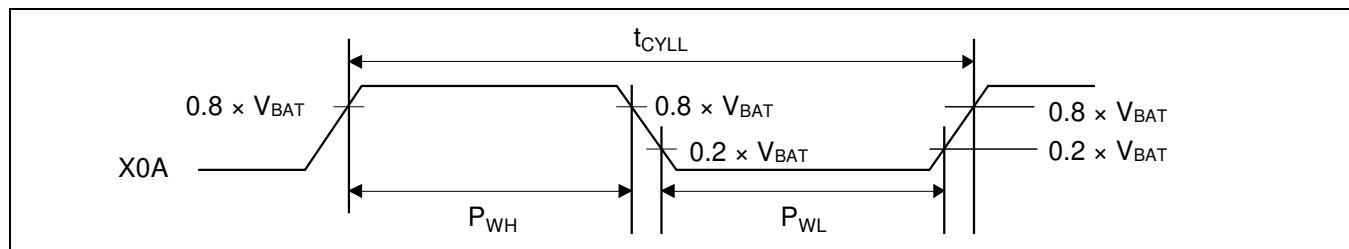


## 12.4.2 Sub Clock Input Characteristics

( $V_{BAT} = 1.65V$  to  $3.6V$ ,  $V_{SS} = 0V$ )

| Parameter               | Symbol       | Pin Name    | Conditions                               | Value |        |       | Unit    | Remarks                                |
|-------------------------|--------------|-------------|--|-------|--------|-------|---------|--|
|                         |              |             |  | Min   | Typ    | Max   |         |  |
| Input frequency         | $1/t_{CYLL}$ | X0A,<br>X1A | -  | -     | 32.768 | -     | kHz     | When crystal oscillator is connected * |
|                         |              |             | -  | 32    | -      | 100   | kHz     | When using external clock              |
| Input clock cycle       | $t_{CYLL}$   |             | -  | 10    | -      | 31.25 | $\mu s$ | When using external clock              |
| Input clock pulse width | -            |             | $P_{WH}/t_{CYLL}$ ,<br>$P_{WL}/t_{CYLL}$ | 45    | -      | 55    | %       | When using external clock              |

\*: For more information about crystal oscillator, see Sub crystal oscillator in 9. Handling Devices.



## 12.4.3 Built-in CR Oscillation Characteristics

### Built-in High-speed CR

( $V_{CC} = 2.7V$  to  $3.6V$ ,  $V_{SS} = 0V$ )

| Parameter                    | Symbol     | Conditions  | Value |     |      | Unit    | Remarks           |
|------------------------------|------------|---|-------|-----|------|---------|-------------------|
|                              |            |   | Min   | Typ | Max  |         |                   |
| Clock frequency              | $f_{CRH}$  | $T_J = -20\text{ }^\circ\text{C}$ to $+105\text{ }^\circ\text{C}$ | 3.92  | 4   | 4.08 | MHz     | When trimming *1  |
|                              |            | $T_J = -40\text{ }^\circ\text{C}$ to $+125\text{ }^\circ\text{C}$ | 3.88  | 4   | 4.12 |         |                   |
|                              |            | $T_J = -40\text{ }^\circ\text{C}$ to $+125\text{ }^\circ\text{C}$ | 2.9   | 4   | 5    |         | When not trimming |
| Frequency stabilization time | $t_{CRWT}$ | -   | -     | -   | 30   | $\mu s$ | *2                |

\*1: In the case of using the values in CR trimming area of Flash memory at shipment for frequency/temperature trimming.

\*2: This is the time to stabilize the frequency of High-speed CR clock after setting trimming value. This period is able to use High-speed CR clock as source clock.

### Built-in Low-speed CR

( $V_{CC} = 2.7V$  to  $3.6V$ ,  $V_{SS} = 0V$ )

| Parameter       | Symbol    | Condition | Value |     |     | Unit | Remarks |
|-----------------|-----------|-----------|-------|-----|-----|------|---------|
|                 |           |           | Min   | Typ | Max |      |         |
| Clock frequency | $f_{CRL}$ | -         | 50    | 100 | 150 | kHz  |         |

**12.4.4 Operating Conditions of Main PLL (In the Case of Using Main Clock for Input Clock of PLL)**

(V<sub>CC</sub> = 2.7V to 3.6V, V<sub>SS</sub> = 0V)

| Parameter  | Symbol              | Value |     |     | Unit       | Remarks |
|--|---------------------|-------|-----|-----|------------|---------|
|  |                     | Min   | Typ | Max |            |         |
| PLL oscillation stabilization wait time*1 (LOCK UP time) | t <sub>LOCK</sub>   | 100   | -   | -   | μs         |         |
| PLL input clock frequency                                | f <sub>PLLI</sub>   | 4     | -   | 16  | MHz        |         |
| PLL multiplication rate                                  | -                   | 13    | -   | 100 | multiplier |         |
| PLL macro oscillation clock frequency                    | f <sub>PLLO</sub>   | 200   | -   | 400 | MHz        |         |
| Main PLL clock frequency*2                               | f <sub>CLKPLL</sub> | -     | -   | 200 | MHz        |         |

\*1: Time from when the PLL starts operating until the oscillation stabilizes.

\*2: For more information about Main PLL clock (CLKPLL), see Chapter 2-1 : Clock in FM4 Family Peripheral Manual Main part (002-04856).

**12.4.5 Operating Conditions of USB/I<sup>2</sup>S/GDC PLL (In the Case of Using Main Clock for Input Clock of PLL)**

(V<sub>CC</sub> = 2.7V to 3.6V, V<sub>SS</sub> = 0V)

| Parameter  | Symbol              | Value |     |        | Unit       | Remarks                        |
|--|---------------------|-------|-----|--------|------------|--------------------------------|
|  |                     | Min   | Typ | Max    |            |                                |
| PLL oscillation stabilization wait time*1 (LOCK UP time) | t <sub>LOCK</sub>   | 100   | -   | -      | μs         |                                |
| PLL input clock frequency                                | f <sub>PLLI</sub>   | 4     | -   | 16     | MHz        |                                |
| PLL multiplication rate                                  | -                   | 13    | -   | 100    | multiplier |                                |
| PLL macro oscillation clock frequency                    | f <sub>PLLO</sub>   | 200   | -   | 400    | MHz        | USB/GDC                        |
|  |                     |       |     | 384    | MHz        | I <sup>2</sup> S               |
| USB clock frequency *2                                   | f <sub>CLKPLL</sub> | -     | -   | 50     | MHz        | After the M frequency division |
| I <sup>2</sup> S clock frequency *3                      | f <sub>CLKPLL</sub> | -     | -   | 12.288 | MHz        | After the M frequency division |
| GDC clock frequency *4                                   | f <sub>CLKPLL</sub> | -     | -   | 160    | MHz        | After divided by GDC part      |

\*1: Time from when the PLL starts operating until the oscillation stabilizes.

\*2: For more information about USB clock, see Chapter 2-2: USB Clock Generation in FM4 Family Peripheral Manual Communication Macro part (002-04862).

\*3: For more information about I<sup>2</sup>S clock, see Chapter 7-1: I<sup>2</sup>S Clock Generation in FM4 Family Peripheral Manual Communication Macro part (002-04862).

\*4: For more information about GDC clock, see FM4 Family Peripheral Manual GDC part (002-04917).

**12.4.6 Operating Conditions of Main PLL (In the Case of Using Built-in High-Speed CR Clock for Input Clock of Main PLL)**

(V<sub>CC</sub> = 2.7V to 3.6V, V<sub>SS</sub> = 0V)

| Parameter  | Symbol              | Value |     |     | Unit       | Remarks |
|--|---------------------|-------|-----|-----|------------|---------|
|  |                     | Min   | Typ | Max |            |         |
| PLL oscillation stabilization wait time*1 (LOCK UP time) | t <sub>LOCK</sub>   | 100   | -   | -   | μs         |         |
| PLL input clock frequency                                | f <sub>PLLI</sub>   | 3.8   | 4   | 4.2 | MHz        |         |
| PLL multiplication rate                                  | -                   | 50    | -   | 95  | multiplier |         |
| PLL macro oscillation clock frequency                    | f <sub>PLLO</sub>   | 190   | -   | 400 | MHz        |         |
| Main PLL clock frequency*2                               | f <sub>CLKPLL</sub> | -     | -   | 160 | MHz        |         |

\*1: Time from when the PLL starts operating until the oscillation stabilizes.

\*2: For more information about Main PLL clock (CLKPLL), see Chapter 2-1: Clock in FM4 Family Peripheral Manual Main part (002-04856).

**Note:**

- The High-speed CR clock (CLKHC) should be set with frequency/temperature trimming to act as the source clock of the Main PLL.

**12.4.7 Reset Input Characteristics**

(V<sub>CC</sub> = 2.7V to 3.6V, V<sub>SS</sub> = 0V)

| Parameter        | Symbol             | Pin Name | conditions | Value |     | Unit | Remarks |
|------------------|--------------------|----------|------------|-------|-----|------|---------|
|                  |                    |          |            | Min   | Max |      |         |
| Reset input time | t <sub>INITX</sub> | INITX    | -          | 500   | -   | ns   |         |

## 12.4.8 Power-on Reset Timing

(V<sub>SS</sub> = 0V)

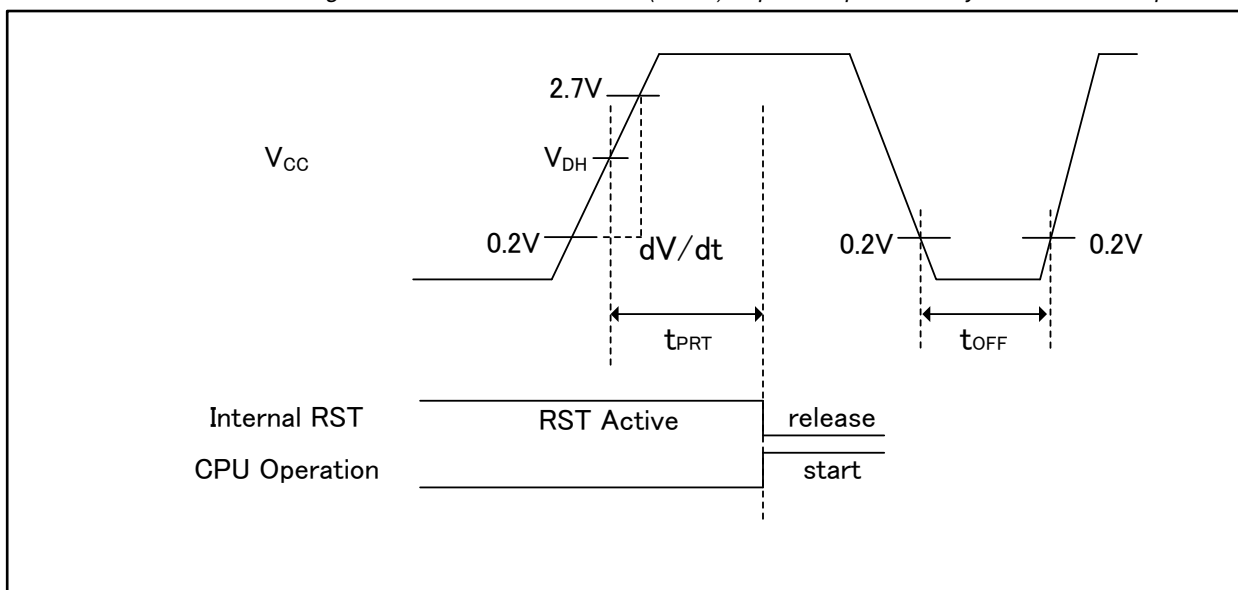
| Parameter                           | Symbol           | Pin Name        | Conditions                      | Value |     |      | Unit  | Remarks |
|-------------------------------------|------------------|-----------------|---------------------------------|-------|-----|------|-------|---------|
|                                     |                  |                 |                                 | Min   | Typ | Max  |       |         |
| Power supply shut down time         | t <sub>OFF</sub> | V <sub>CC</sub> | -                               | 1     | -   | -    | ms    | *1      |
| Power ramp rate                     | dV/dt            |                 | V <sub>CC</sub> : 0.2V to 2.70V | 0.6   | -   | 1000 | mV/μs | *2      |
| Time until releasing Power-on reset | t <sub>PRT</sub> |                 | -                               | 0.33  | -   | 0.60 | ms    |         |

\*1: V<sub>CC</sub> must be held below 0.2V for a minimum period of t<sub>OFF</sub>. Improper initialization may occur if this condition is not met.

\*2: This dV/dt characteristic is applied at the power-on of cold start (t<sub>OFF</sub>>1ms).

### Note:

- If t<sub>OFF</sub> cannot be satisfied designs must assert external reset(INITX) at power-up and at any brownout event per 12. 4. 7.



### Glossary

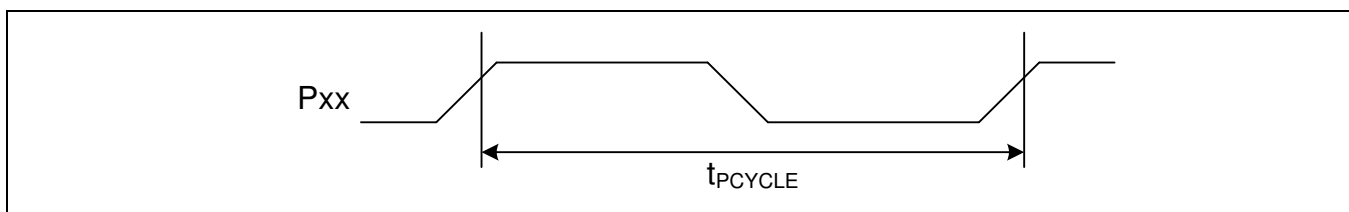
- V<sub>DH</sub>: detection voltage of Low Voltage detection reset. See “エラー! 参照元が見つかりません。 . エラー! 参照元が見つかりません。”.

## 12.4.9 GPIO Output Characteristics

(V<sub>CC</sub> = 2.7V to 3.6V, V<sub>SS</sub> = 0V)

| Parameter        | Symbol              | Pin Name | Conditions | Value |     | Unit | Remarks |
|------------------|---------------------|----------|------------|-------|-----|------|---------|
|                  |                     |          |            | Min   | Max |      |         |
| Output frequency | t <sub>PCYCLE</sub> | Pxx*     | -          | -     | 32  | MHz  |         |

\*: GPIO is a target.



**12.4.10 External Bus Timing**

**External Bus Clock Output Characteristics**

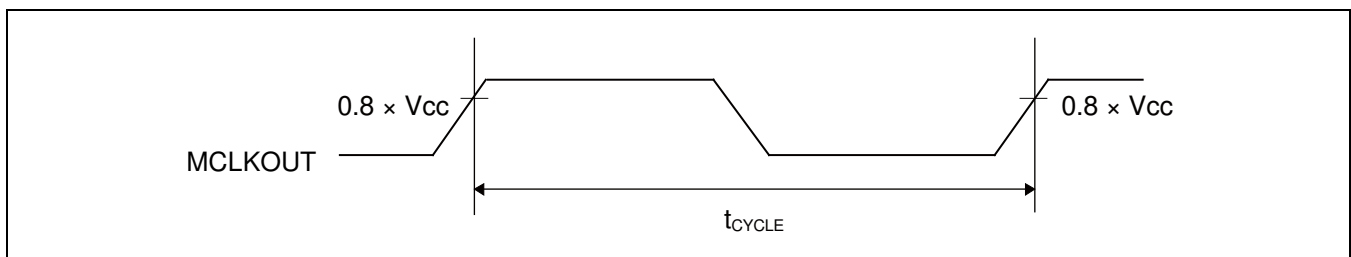
(V<sub>CC</sub> = 2.7V to 3.6V, V<sub>SS</sub> = 0V)

| Parameter        | Symbol             | Pin Name  | Conditions | Value |      | Unit | Remarks |
|------------------|--------------------|-----------|------------|-------|------|------|---------|
|                  |                    |           |            | Min   | Max  |      |         |
| Output frequency | t <sub>CYCLE</sub> | MCLKOUT*1 |            | -     | 50*2 | MHz  |         |

\*1: The external bus clock (MCLKOUT) is a divided clock of HCLK.

For more information about setting of clock divider, see Chapter 14: External Bus Interface in FM4 Family Peripheral Manual Main part (002-04856).

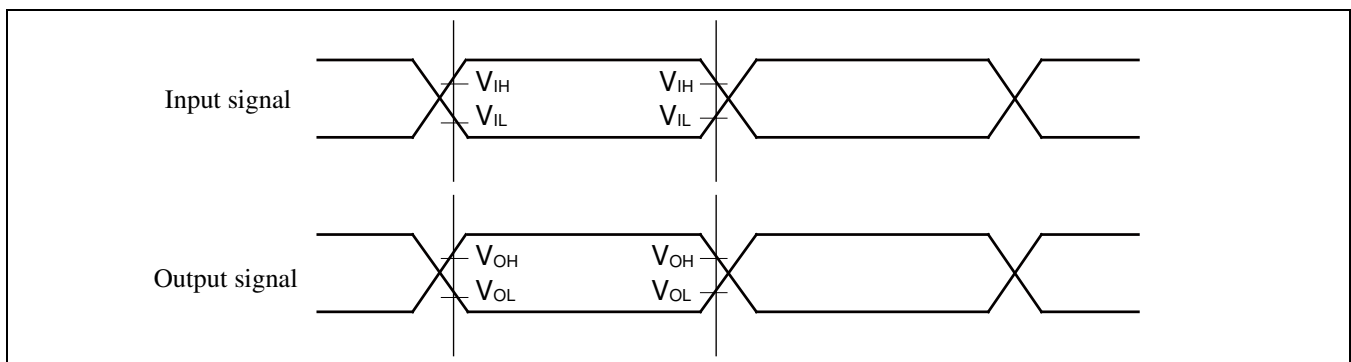
\*2: Generate MCLKOUT at setting more than 4 divisions when the AHB bus clock exceeds 100 MHz.



**External Bus Signal Input/output Characteristics**

(V<sub>CC</sub> = 2.7V to 3.6V, V<sub>SS</sub> = 0V)

| Parameter                     | Symbol          | Conditions | Value                 | Unit | Remarks |
|-------------------------------|-----------------|------------|-----------------------|------|---------|
| Signal input characteristics  | V <sub>IH</sub> | -          | 0.8 × V <sub>CC</sub> | V    |         |
|                               | V <sub>IL</sub> |            | 0.2 × V <sub>CC</sub> | V    |         |
| Signal output characteristics | V <sub>OH</sub> |            | 0.8 × V <sub>CC</sub> | V    |         |
|                               | V <sub>OL</sub> |            | 0.2 × V <sub>CC</sub> | V    |         |



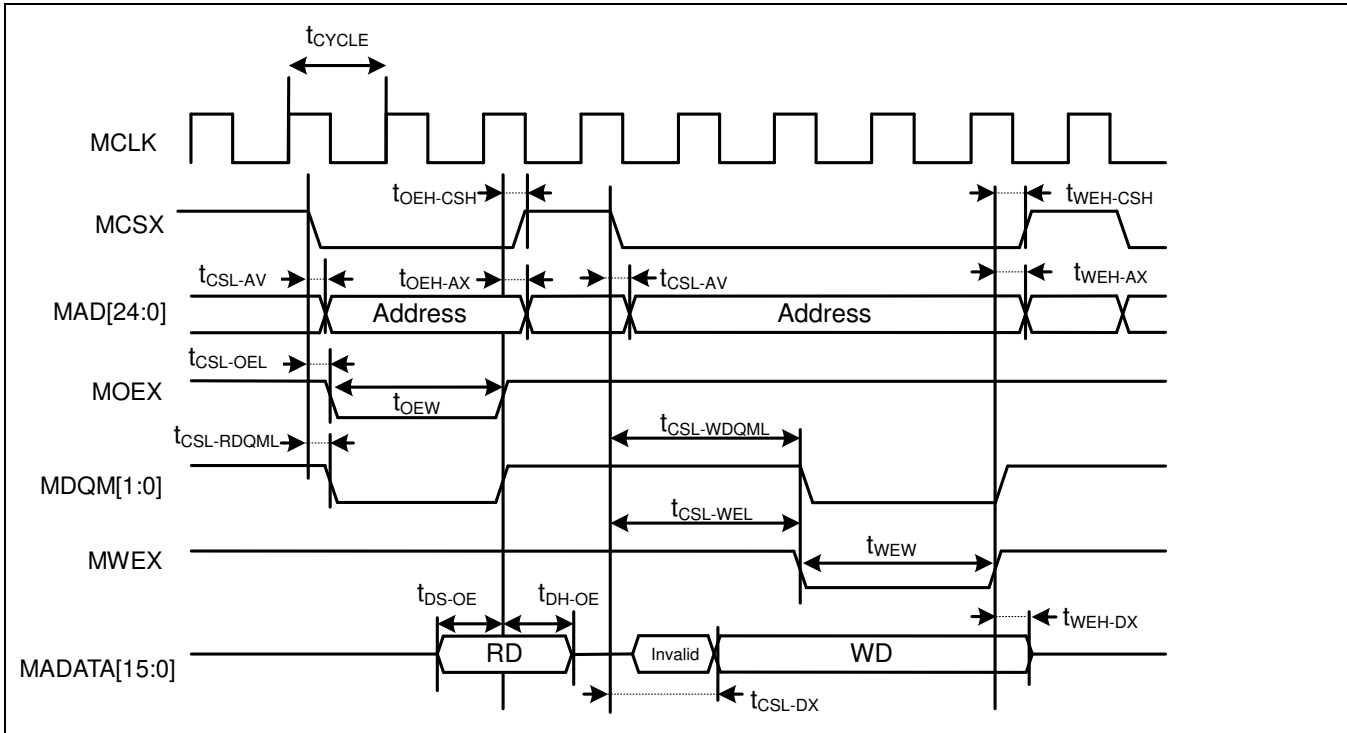
## Separate Bus Access Asynchronous SRAM Mode

(V<sub>CC</sub> = 2.7V to 3.6V, V<sub>SS</sub> = 0V)

| Parameter                          | Symbol                   | Pin name              | Conditions | Value    |          | Unit | Remarks |
|------------------------------------|--------------------------|-----------------------|------------|----------|----------|------|---------|
|                                    |                          |                       |            | Min      | Max      |      |         |
| MOEX<br>Minimum pulse width        | t <sub>OE</sub>          | MOEX                  | -          | MCLK×n-3 | -        | ns   |         |
| MCSX↓→Address<br>output delay time | t <sub>CSL - AV</sub>    | MCSX,<br>MAD[24:0]    | -          | -9       | +9       | ns   |         |
| MOEX↑→Address<br>hold time         | t <sub>OE</sub> - AX     | MOEX,<br>MAD[24:0]    | -          | 0        | MCLK×m+9 | ns   |         |
| MCSX↓→<br>MOEX↓delay time          | t <sub>CSL - OEL</sub>   | MOEX,<br>MCSX         | -          | MCLK×m-9 | MCLK×m+9 | ns   |         |
| MOEX↑→<br>MCSX↑time                | t <sub>OE</sub> - CSH    |                       | -          | 0        | MCLK×m+9 | ns   |         |
| MCSX↓→<br>MDQM↓delay time          | t <sub>CSL - RDQML</sub> | MCSX,<br>MDQM[1:0]    | -          | MCLK×m-9 | MCLK×m+9 | ns   |         |
| Data setup→<br>MOEX↑time           | t <sub>DS - OE</sub>     | MOEX,<br>MADATA[15:0] | -          | 20       | -        | ns   |         |
| MOEX↑→<br>Data hold time           | t <sub>DH - OE</sub>     | MOEX,<br>MADATA[15:0] | -          | 0        | -        | ns   |         |
| MWEX<br>Minimum pulse width        | t <sub>WE</sub>          | MWEX                  | -          | MCLK×n-3 | -        | ns   |         |
| MWEX↑→Address<br>output delay time | t <sub>WE</sub> - AX     | MWEX,<br>MAD[24:0]    | -          | 0        | MCLK×m+9 | ns   |         |
| MCSX↓→<br>MWEX↓delay time          | t <sub>CSL - WEL</sub>   | MWEX,<br>MCSX         | -          | MCLK×n-9 | MCLK×n+9 | ns   |         |
| MWEX↑→<br>MCSX↑delay time          | t <sub>WE</sub> - CSH    |                       | -          | 0        | MCLK×m+9 | ns   |         |
| MCSX↓→<br>MDQM↓delay time          | t <sub>CSL - WDQML</sub> | MCSX,<br>MDQM[1:0]    | -          | MCLK×n-9 | MCLK×n+9 | ns   |         |
| MCSX↓→<br>Data output time         | t <sub>CSL - DX</sub>    | MCSX,<br>MADATA[15:0] | -          | MCLK-9   | MCLK+9   | ns   |         |
| MWEX↑→<br>Data hold time           | t <sub>WE</sub> - DX     | MWEX,<br>MADATA[15:0] | -          | 0        | MCLK×m+9 | ns   |         |

**Note:**

- When the external load capacitance C<sub>L</sub> = 30 pF (m=0 to 15, n=1 to 16)





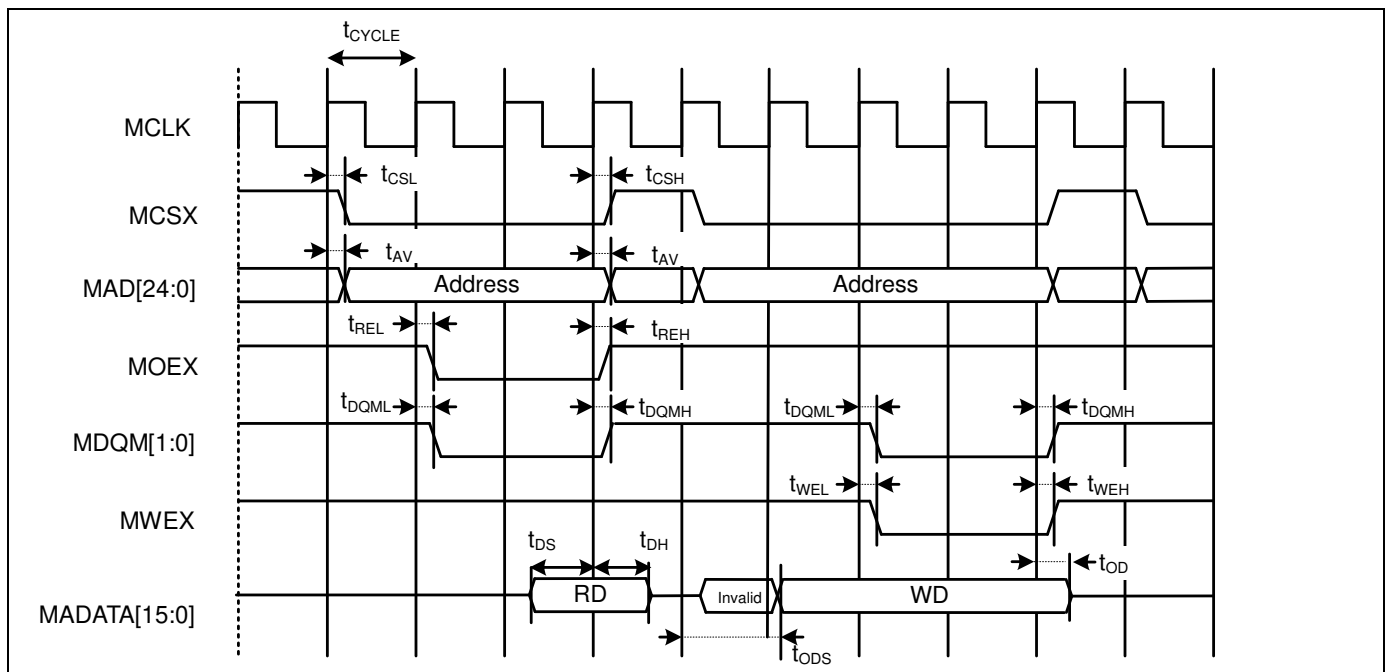
## Separate Bus Access Synchronous SRAM Mode

( $V_{CC} = 2.7V$  to  $3.6V$ ,  $V_{SS} = 0V$ )

| Parameter                    | Symbol     | Pin Name              | Conditions | Value  |         | Unit | Remarks |
|------------------------------|------------|-----------------------|------------|--------|---------|------|---------|
|                              |            |                       |            | Min    | Max     |      |         |
| Address delay time           | $t_{AV}$   | MCLK,<br>MAD[24:0]    | -          | 1      | 9       | ns   |         |
| MCSX delay time              | $t_{CSL}$  | MCLK,<br>MCSX         | -          | 1      | 9       | ns   |         |
|                              | $t_{CSH}$  |                       | -          | 1      | 9       | ns   |         |
| MOEX delay time              | $t_{REL}$  | MCLK,<br>MOEX         | -          | 1      | 9       | ns   |         |
|                              | $t_{REH}$  |                       | -          | 1      | 9       | ns   |         |
| Data set up<br>→MCLK ↑ time  | $t_{DS}$   | MCLK,<br>MADATA[15:0] | -          | 19     | -       | ns   |         |
| MCLK ↑ →<br>Data hold time   | $t_{DH}$   | MCLK,<br>MADATA[15:0] | -          | 0      | -       | ns   |         |
| MWEX delay time              | $t_{WEL}$  | MCLK,<br>MWEX         | -          | 1      | 9       | ns   |         |
|                              | $t_{WEH}$  |                       | -          | 1      | 9       | ns   |         |
| MDQM[1:0]<br>delay time      | $t_{DQML}$ | MCLK,<br>MDQM[1:0]    | -          | 1      | 9       | ns   |         |
|                              | $t_{DQMH}$ |                       | -          | 1      | 9       | ns   |         |
| MCLK ↑ →<br>Data output time | $t_{ODS}$  | MCLK,<br>MADATA[15:0] | -          | MCLK+1 | MCLK+18 | ns   |         |
| MCLK ↑ →<br>Data hold time   | $t_{OD}$   | MCLK,<br>MADATA[15:0] | -          | 1      | 18      | ns   |         |

**Note:**

- When the external load capacitance  $C_L = 30$  pF



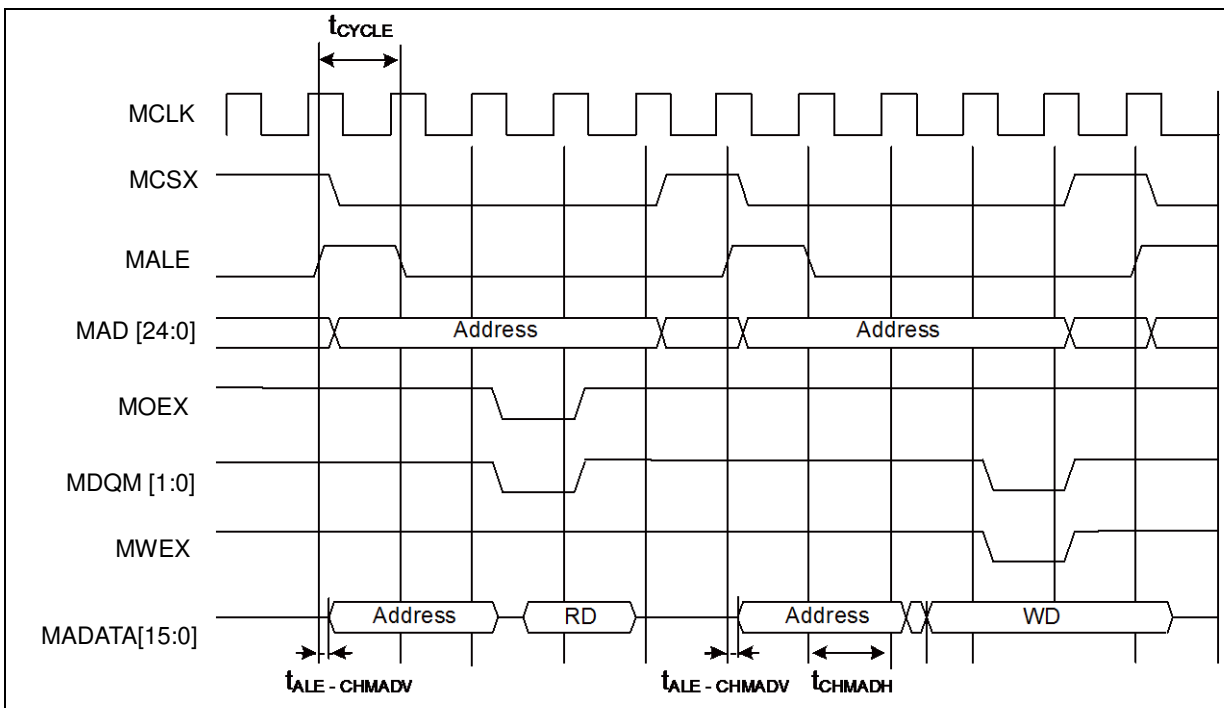
## Multiplexed Bus Access Asynchronous SRAM Mode

( $V_{CC} = 2.7V$  to  $3.6V$ ,  $V_{SS} = 0V$ )

| Parameter                      | Symbol           | Pin Name        | Conditions | Value               |                      | Unit | Remarks |
|--------------------------------|------------------|-----------------|------------|---------------------|----------------------|------|---------|
|                                |                  |                 |            | Min                 | Max                  |      |         |
| Multiplexed address delay time | $t_{ALE-CHMADV}$ | MALE, MAD[24:0] | -          | 0                   | 10                   | ns   |         |
| Multiplexed address hold time  | $t_{CHMADH}$     |                 | -          | $MCLK \times n + 0$ | $MCLK \times n + 10$ | ns   |         |

**Note:**

- When the external load capacitance  $C_L = 30$  pF ( $m=0$  to  $15$ ,  $n=1$  to  $16$ )



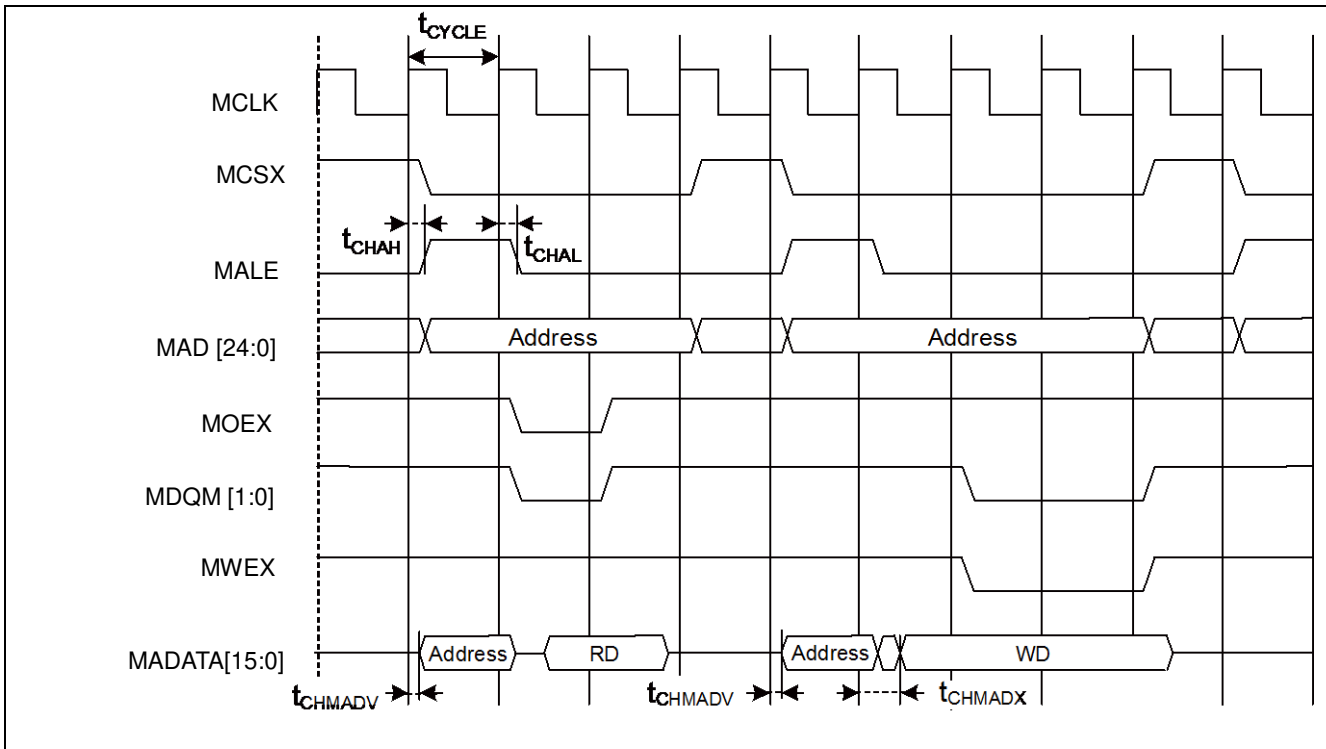
## Multiplexed Bus Access Synchronous SRAM Mode

( $V_{CC} = 2.7V$  to  $3.6V$ ,  $V_{SS} = 0V$ )

| Parameter  | Symbol       | Pin Name              | Conditions | Value |          | Unit | Remarks |
|--|--------------|-----------------------|------------|-------|----------|------|---------|
|  |              |                       |            | Min   | Max      |      |         |
| MALE delay time  | $t_{CHAL}$   | MCLK,<br>MALE         | -          | 1     | 9        | ns   |         |
|  | $t_{CHAH}$   |                       | -          | 1     | 9        | ns   |         |
| MCLK $\uparrow$ $\rightarrow$ Multiplexed address delay time | $t_{CHMADV}$ | MCLK,<br>MADATA[15:0] | -          | 1     | $t_{OD}$ | ns   |         |
| MCLK $\uparrow$ $\rightarrow$ Multiplexed data output time   | $t_{CHMADX}$ |                       | -          | 1     | $t_{OD}$ | ns   |         |

**Note:**

- When the external load capacitance  $C_L = 30$  pF



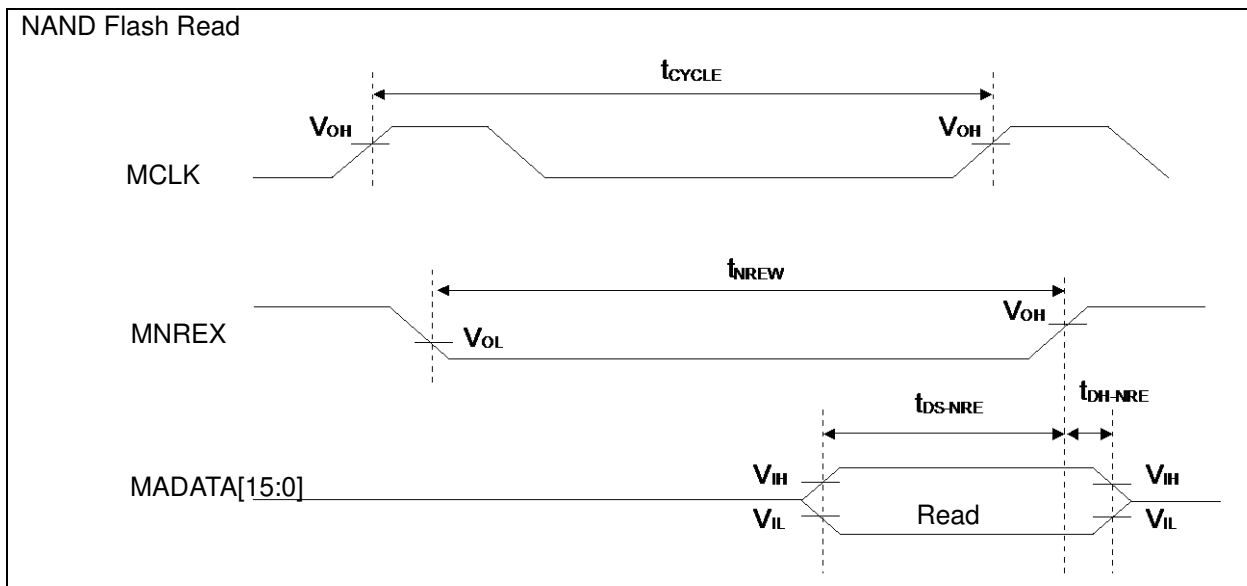
## NAND Flash Mode

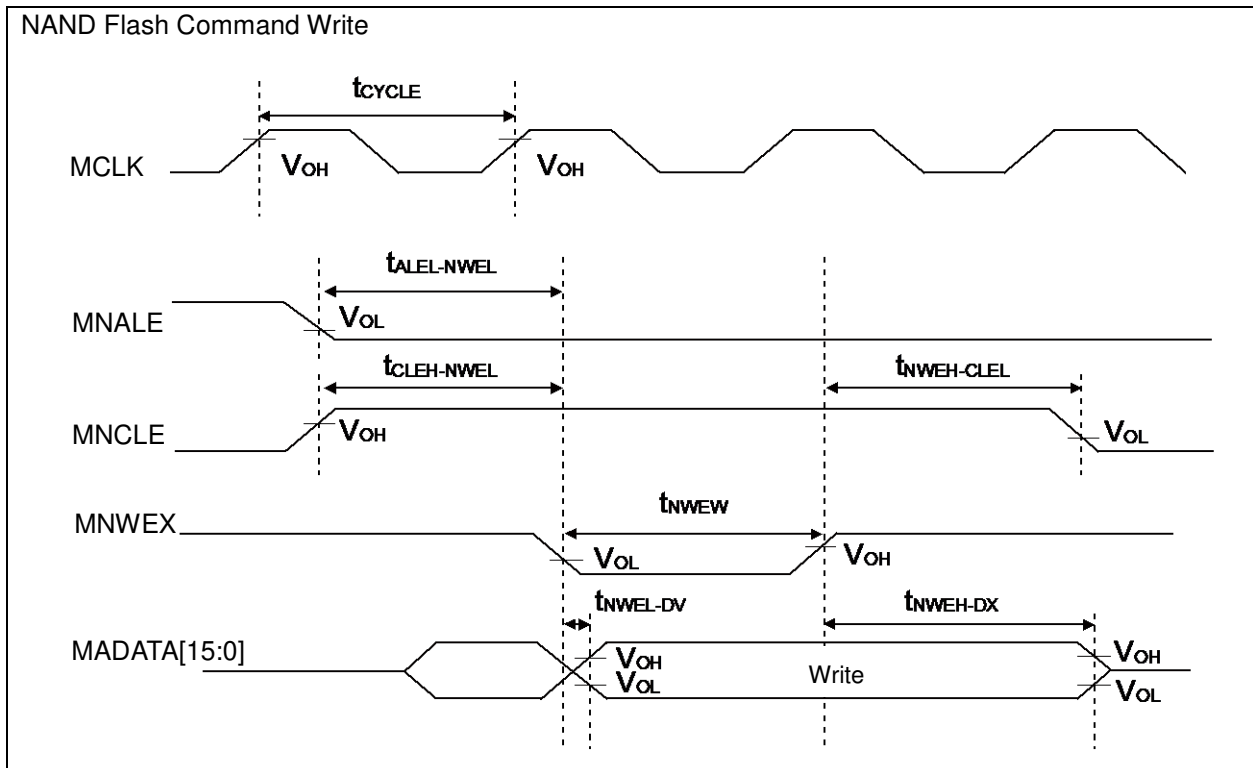
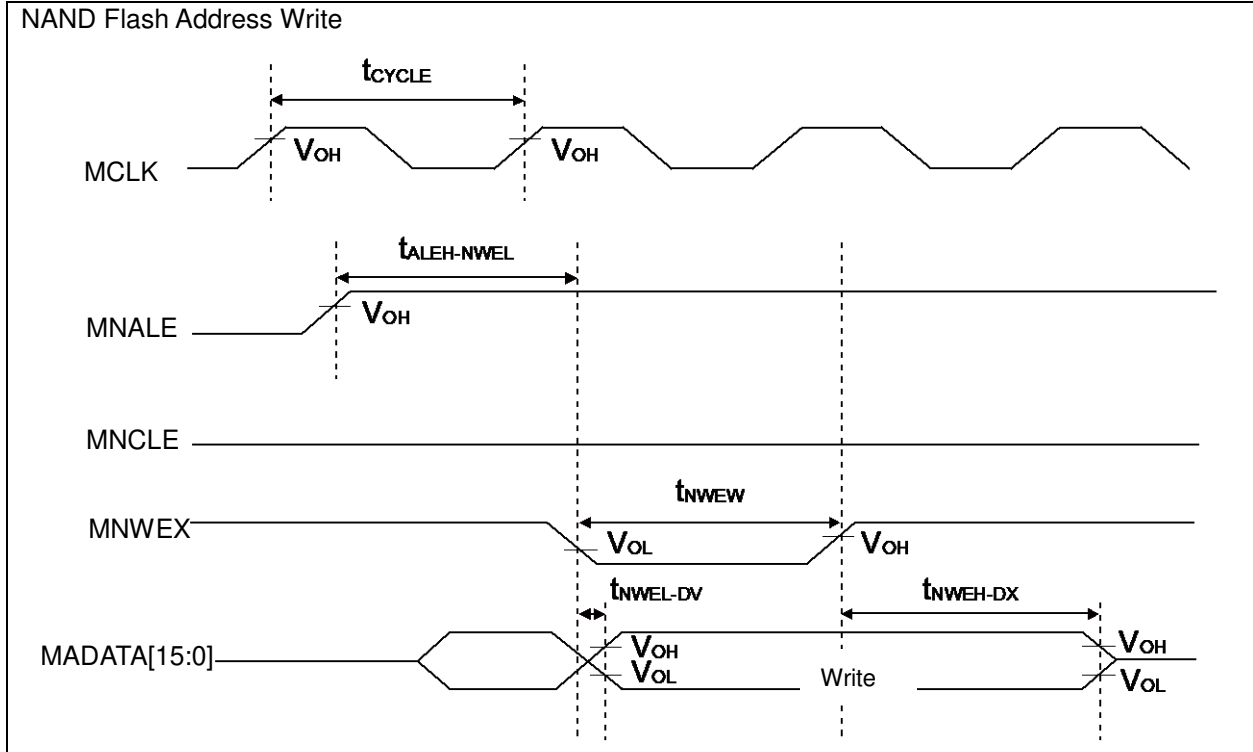
( $V_{CC} = 2.7V$  to  $3.6V$ ,  $V_{SS} = 0V$ )

| Parameter                     | Symbol          | Pin Name               | Conditions | Value               |                     | Unit | Remarks |
|-------------------------------|-----------------|------------------------|------------|---------------------|---------------------|------|---------|
|                               |                 |                        |            | Min                 | Max                 |      |         |
| MNREX<br>Min pulse width      | $t_{NREW}$      | MNREX                  | -          | $MCLK \times n - 3$ | -                   | ns   |         |
| Data set up<br>→ MNREX ↑ time | $t_{DS-NRE}$    | MNREX,<br>MADATA[15:0] | -          | 20                  | -                   | ns   |         |
| MNREX ↑ →<br>Data hold time   | $t_{DH-NRE}$    | MNREX,<br>MADATA[15:0] | -          | 0                   | -                   | ns   |         |
| MNALE ↑ →<br>MNWEX delay time | $t_{ALEH-NWEL}$ | MNALE,<br>MNWEX        | -          | $MCLK \times m - 9$ | $MCLK \times m + 9$ | ns   |         |
| MNALE ↓ →<br>MNWEX delay time | $t_{ALEL-NWEL}$ | MNALE,<br>MNWEX        | -          | $MCLK \times m - 9$ | $MCLK \times m + 9$ | ns   |         |
| MNCLE ↑ →<br>MNWEX delay time | $t_{CLEH-NWEL}$ | MNCLE,<br>MNWEX        | -          | $MCLK \times m - 9$ | $MCLK \times m + 9$ | ns   |         |
| MNWEX ↑ →<br>MNCLE delay time | $t_{NWEH-CLEL}$ | MNCLE,<br>MNWEX        | -          | 0                   | $MCLK \times m + 9$ | ns   |         |
| MNWEX<br>Min pulse width      | $t_{NWEW}$      | MNWEX                  | -          | $MCLK \times n - 3$ | -                   | ns   |         |
| MNWEX ↓ →<br>Data output time | $t_{NWEL-DV}$   | MNWEX,<br>MADATA[15:0] | -          | -9                  | 9                   | ns   |         |
| MNWEX ↑ →<br>Data hold time   | $t_{NWEH-DX}$   | MNWEX,<br>MADATA[15:0] | -          | 0                   | $MCLK \times m + 9$ | ns   |         |

**Note:**

- When the external load capacitance  $C_L = 30$  pF ( $m=0$  to  $15$ ,  $n=1$  to  $16$ )



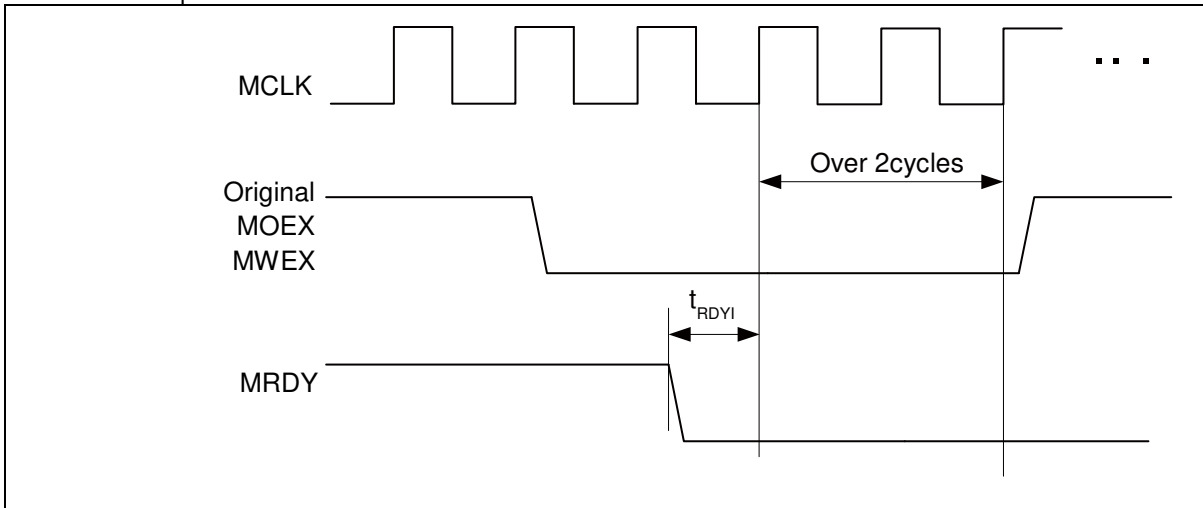


## External Ready Input Timing

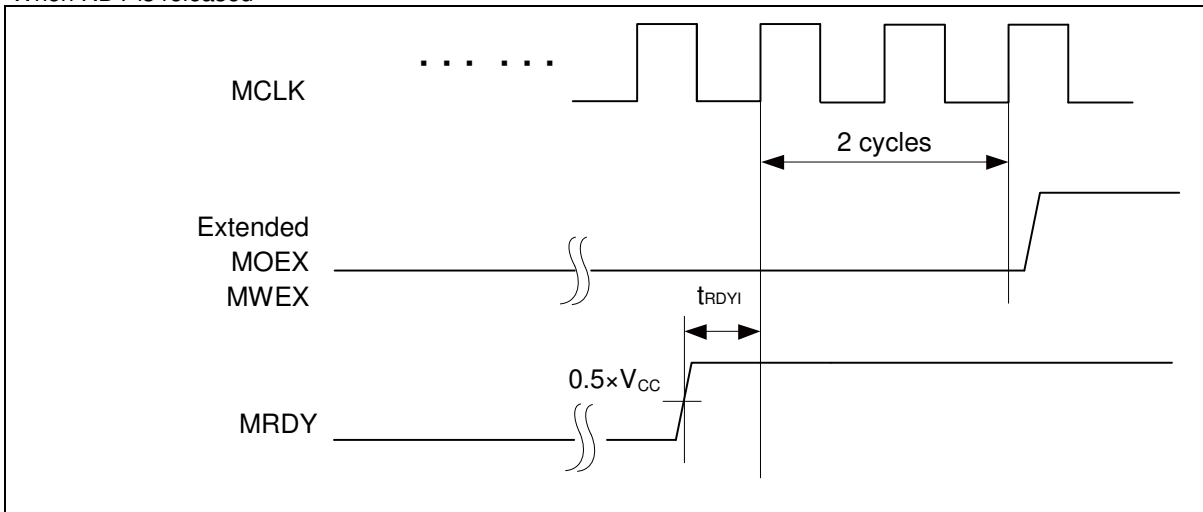
( $V_{CC} = 2.7V$  to  $3.6V$ ,  $V_{SS} = 0V$ )

| Parameter                      | Symbol     | Pin Name      | Conditions | Value |     | Unit | Remarks |
|--------------------------------|------------|---------------|------------|-------|-----|------|---------|
|                                |            |               |            | Min   | Max |      |         |
| MCLK↑<br>MRDY input setup time | $t_{RDYI}$ | MCLK,<br>MRDY | -          | 19    | -   | ns   |         |

### ■ When RDY is input



### ■ When RDY is released



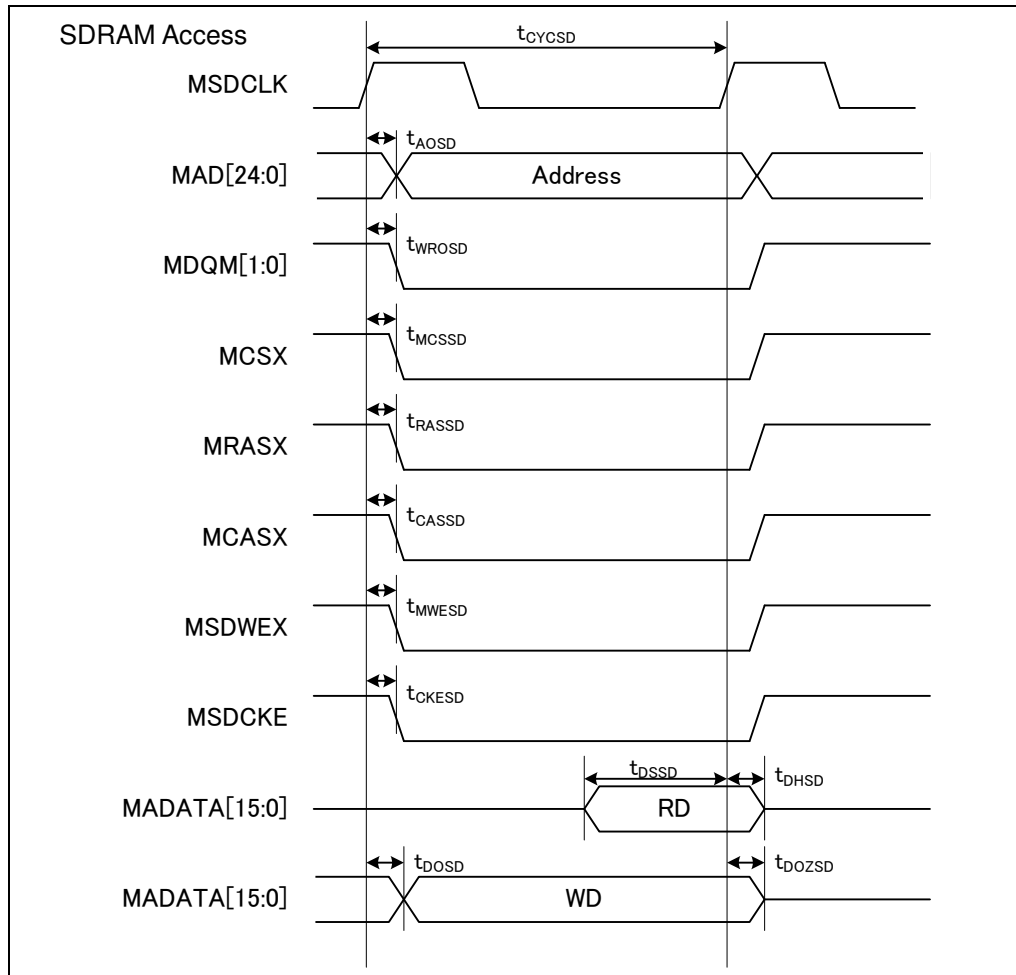
**SDRAM Mode**

(V<sub>CC</sub> = 2.7V to 3.6V, V<sub>SS</sub> = 0V)

| Parameter                            | Symbol              | Pin Name                | Value | Unit |      | Unit | Remarks |
|--------------------------------------|---------------------|-------------------------|-------|------|------|------|---------|
|                                      |                     |                         |       | Min  | Max  |      |         |
| Output frequency                     | t <sub>CYCS</sub> D | MSDCLK                  | -     | -    | 50   | MHz  |         |
| Address delay time                   | t <sub>AO</sub> SD  | MSDCLK,<br>MAD[15:0]    | -     | 2    | 12   | ns   |         |
| MSDCLK ↑ →<br>Data output delay time | t <sub>DO</sub> SD  | MSDCLK,<br>MADATA[15:0] | -     | 2    | 12   | ns   |         |
| MSDCLK ↑ →<br>Data output Hi-Z time  | t <sub>DOZ</sub> SD | MSDCLK,<br>MADATA[15:0] | -     | 2    | 19.5 | ns   |         |
| MDQM[1:0] delay time                 | t <sub>WRO</sub> SD | MSDCLK,<br>MDQM[1:0]    | -     | 1    | 12   | ns   |         |
| MCSX delay time                      | t <sub>MC</sub> SSD | MSDCLK,<br>MCSX8        | -     | 2    | 12   | ns   |         |
| MRASX delay time                     | t <sub>RA</sub> SSD | MSDCLK,<br>MRASX        | -     | 2    | 12   | ns   |         |
| MCASX delay time                     | t <sub>CA</sub> SSD | MSDCLK,<br>MCASX        | -     | 2    | 12   | ns   |         |
| MSDWEX delay time                    | t <sub>WE</sub> SD  | MSDCLK,<br>MSDWEX       | -     | 2    | 12   | ns   |         |
| MSDCKE delay time                    | t <sub>CKE</sub> SD | MSDCLK,<br>MSDCKE       | -     | 2    | 12   | ns   |         |
| Data setup time                      | t <sub>D</sub> SSD  | MSDCLK,<br>MADATA[15:0] | -     | 19   | -    | ns   |         |
| Data hold time                       | t <sub>DH</sub> SD  | MSDCLK,<br>MADATA[15:0] | -     | 0    | -    | ns   |         |

**Note:**

- When the external load capacitance C<sub>L</sub> = 30 pF



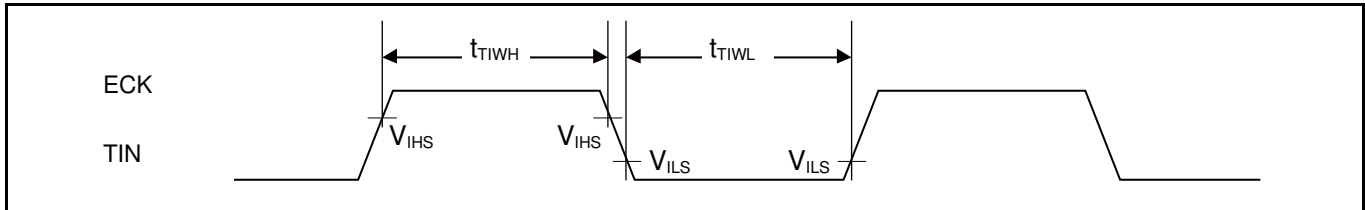


**12.4.11 Base Timer Input Timing**

**Timer Input Timing**

( $V_{CC} = 2.7V$  to  $3.6V$ ,  $V_{SS} = 0V$ )

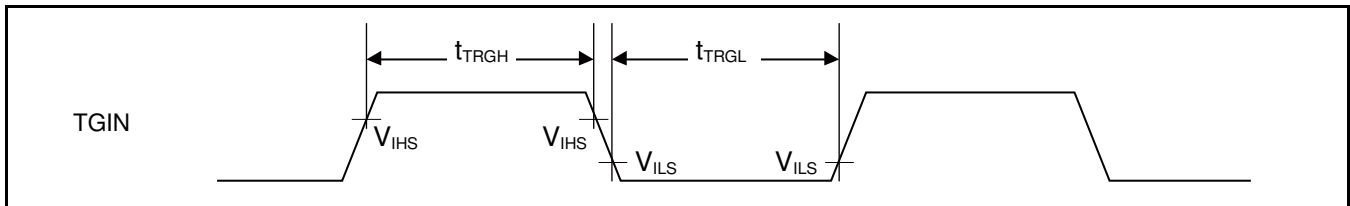
| Parameter         | Symbol                  | Pin Name                                | Con-<br>ditions | Value       |     | Unit | Remarks |
|-------------------|-------------------------|---|-----------------|-------------|-----|------|---------|
|                   |                         |   |                 | Min         | Max |      |         |
| Input pulse width | $t_{TIWH}$ , $t_{TIWL}$ | TIOAn/TIOBn<br>(when using as ECK, TIN) | -               | $2t_{CYCP}$ | -   | ns   |         |



**Trigger Input Timing**

( $V_{CC} = 2.7V$  to  $3.6V$ ,  $V_{SS} = 0V$ )

| Parameter         | Symbol                  | Pin Name                            | Con-<br>ditions | Value       |     | Unit | Remarks |
|-------------------|-------------------------|-------------------------------------|-----------------|-------------|-----|------|---------|
|                   |                         |                                     |                 | Min         | Max |      |         |
| Input pulse width | $t_{TRGH}$ , $t_{TRGL}$ | TIOAn/TIOBn<br>(when using as TGIN) | -               | $2t_{CYCP}$ | -   | ns   |         |



**Note:**

- $t_{CYCP}$  indicates the APB bus clock cycle time.  
About the APB bus number which the Base Timer is connected to, see 8. Block Diagram in this data sheet.

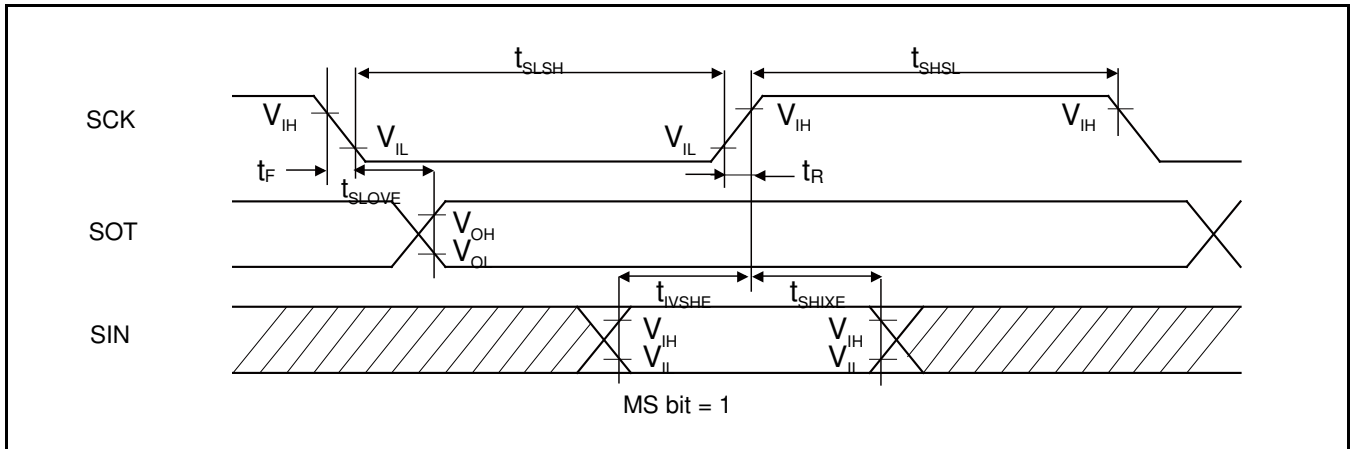
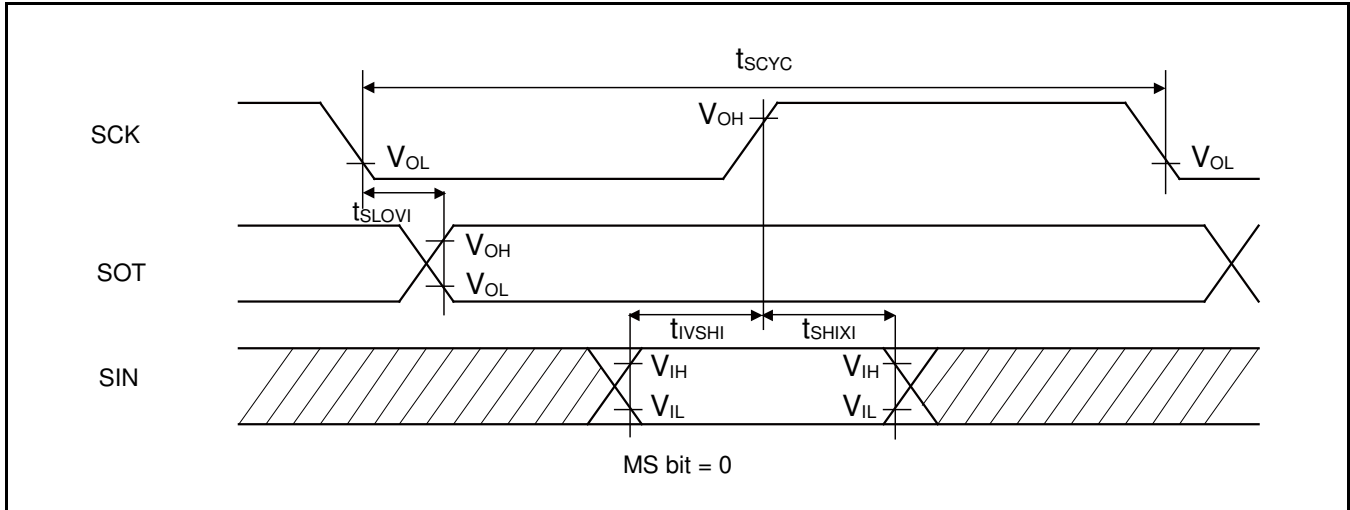
**12.4.12 CSIO Timing**
**Synchronous Serial (SPI = 0, SCINV = 0)**

 (V<sub>CC</sub> = 2.7V to 3.6V, V<sub>SS</sub> = 0V)

| Parameter                        | Symbol             | Pin Name                            | Conditions                     | Value                   |      | Unit |
|----------------------------------|--------------------|-------------------------------------|--------------------------------|-------------------------|------|------|
|                                  |                    |                                     |                                | Min                     | Max  |      |
| Baud rate                        | -                  | -                                   |                                | -                       | 8    | Mbps |
| Serial clock cycle time          | t <sub>SCYC</sub>  | SCK <sub>x</sub>                    | Internal shift clock operation | 4t <sub>CYCP</sub>      | -    | ns   |
| SCK <sub>↓</sub> →SOT delay time | t <sub>SLOVI</sub> | SCK <sub>x</sub> , SOT <sub>x</sub> |                                | - 30                    | + 30 | ns   |
| SIN→SCK <sub>↑</sub> setup time  | t <sub>IVSHI</sub> | SCK <sub>x</sub> , SIN <sub>x</sub> |                                | 50                      | -    | ns   |
| SCK <sub>↑</sub> →SIN hold time  | t <sub>SHIXI</sub> | SCK <sub>x</sub> , SIN <sub>x</sub> |                                | 0                       | -    | ns   |
| Serial clock L pulse width       | t <sub>LSLH</sub>  | SCK <sub>x</sub>                    | External shift clock operation | 2t <sub>CYCP</sub> - 10 | -    | ns   |
| Serial clock H pulse width       | t <sub>SHSL</sub>  | SCK <sub>x</sub>                    |                                | t <sub>CYCP</sub> + 10  | -    | ns   |
| SCK <sub>↓</sub> →SOT delay time | t <sub>SLOVE</sub> | SCK <sub>x</sub> , SOT <sub>x</sub> |                                | -                       | 50   | ns   |
| SIN→SCK <sub>↑</sub> setup time  | t <sub>IVSHE</sub> | SCK <sub>x</sub> , SIN <sub>x</sub> |                                | 10                      | -    | ns   |
| SCK <sub>↑</sub> →SIN hold time  | t <sub>SHIXE</sub> | SCK <sub>x</sub> , SIN <sub>x</sub> |                                | 20                      | -    | ns   |
| SCK falling time                 | t <sub>F</sub>     | SCK <sub>x</sub>                    |                                | -                       | 5    | ns   |
| SCK rising time                  | t <sub>R</sub>     | SCK <sub>x</sub>                    |                                | -                       | 5    | ns   |

**Notes:**

- The above characteristics apply to CLK synchronous mode.
- t<sub>CYCP</sub> indicates the APB bus clock cycle time.  
About the APB bus number which multi-function serial is connected to, see 8. Block Diagram in this data sheet.
- These characteristics only guarantee the same relocate port number.  
For example, the combination of SCK<sub>x\_0</sub> and SOT<sub>x\_1</sub> is not guaranteed.
- When the external load capacitance C<sub>L</sub> = 30 pF.



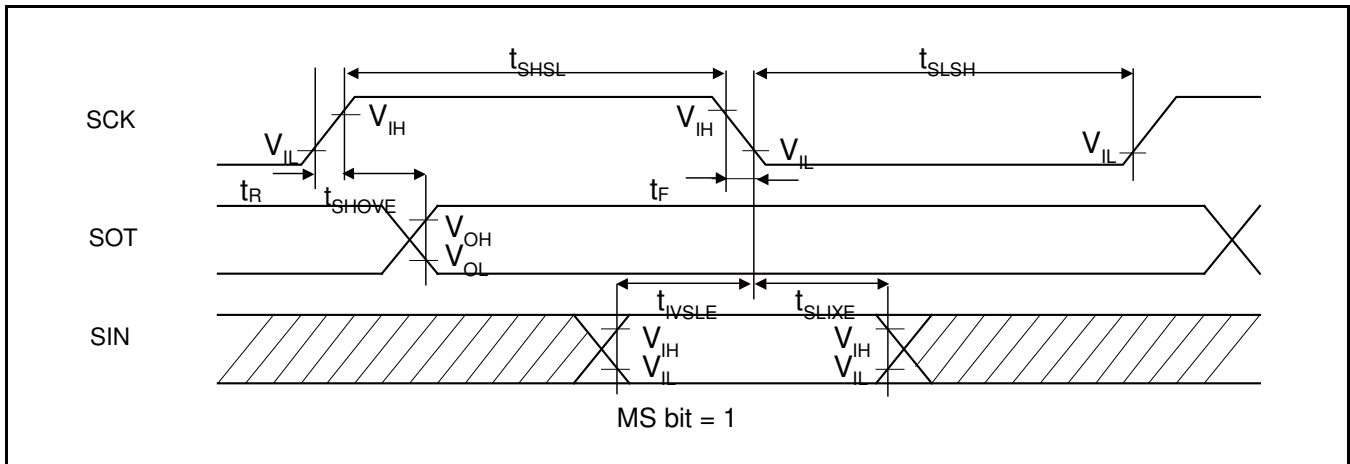
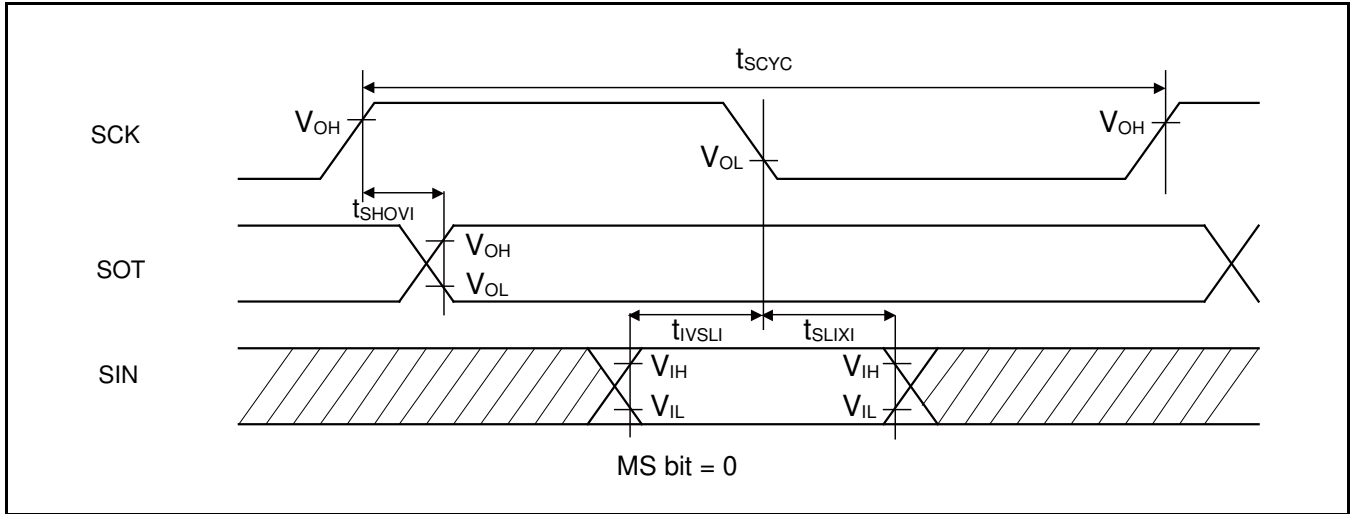
## Synchronous Serial (SPI = 0, SCINV = 1)

(V<sub>CC</sub> = 2.7V to 3.6V, V<sub>SS</sub> = 0V)

| Parameter                  | Symbol             | Pin Name                            | Conditions                     | Value                   |      | Unit |
|----------------------------|--------------------|-------------------------------------|--------------------------------|-------------------------|------|------|
|                            |                    |                                     |                                | Min                     | Max  |      |
| Baud rate                  | -                  | -                                   | -                              | -                       | 8    | Mbps |
| Serial clock cycle time    | t <sub>SCYC</sub>  | SCK <sub>X</sub>                    | Internal shift clock operation | 4t <sub>CYCP</sub>      | -    | ns   |
| SCK↑→SOT delay time        | t <sub>SHOVI</sub> | SCK <sub>X</sub> , SOT <sub>X</sub> |                                | - 30                    | + 30 | ns   |
| SIN→SCK↓ setup time        | t <sub>IVSLI</sub> | SCK <sub>X</sub> , SIN <sub>X</sub> |                                | 50                      | -    | ns   |
| SCK↓→SIN hold time         | t <sub>SLIXI</sub> | SCK <sub>X</sub> , SIN <sub>X</sub> |                                | 0                       | -    | ns   |
| Serial clock L pulse width | t <sub>SLSH</sub>  | SCK <sub>X</sub>                    | External shift clock operation | 2t <sub>CYCP</sub> - 10 | -    | ns   |
| Serial clock H pulse width | t <sub>SHSL</sub>  | SCK <sub>X</sub>                    |                                | t <sub>CYCP</sub> + 10  | -    | ns   |
| SCK↑→SOT delay time        | t <sub>SHOVE</sub> | SCK <sub>X</sub> , SOT <sub>X</sub> |                                | -                       | 50   | ns   |
| SIN→SCK↓ setup time        | t <sub>IVSLE</sub> | SCK <sub>X</sub> , SIN <sub>X</sub> |                                | 10                      | -    | ns   |
| SCK↓→SIN hold time         | t <sub>SLIXE</sub> | SCK <sub>X</sub> , SIN <sub>X</sub> |                                | 20                      | -    | ns   |
| SCK falling time           | t <sub>F</sub>     | SCK <sub>X</sub>                    |                                | -                       | 5    | ns   |
| SCK rising time            | t <sub>R</sub>     | SCK <sub>X</sub>                    |                                | -                       | 5    | ns   |

### Notes:

- The above characteristics apply to CLK synchronous mode.
- t<sub>CYCP</sub> indicates the APB bus clock cycle time.  
About the APB bus number which multi-function serial is connected to, see 8. Block Diagram in this data sheet.
- These characteristics only guarantee the same relocate port number.  
For example, the combination of SCK<sub>X\_0</sub> and SOT<sub>X\_1</sub> is not guaranteed.
- When the external load capacitance C<sub>L</sub> = 30 pF.



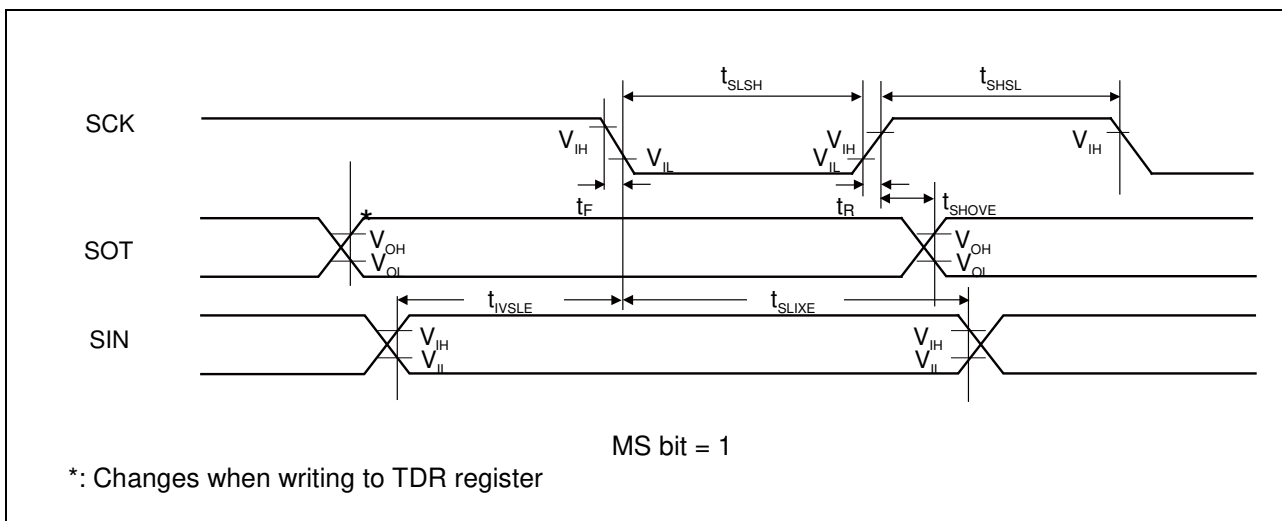
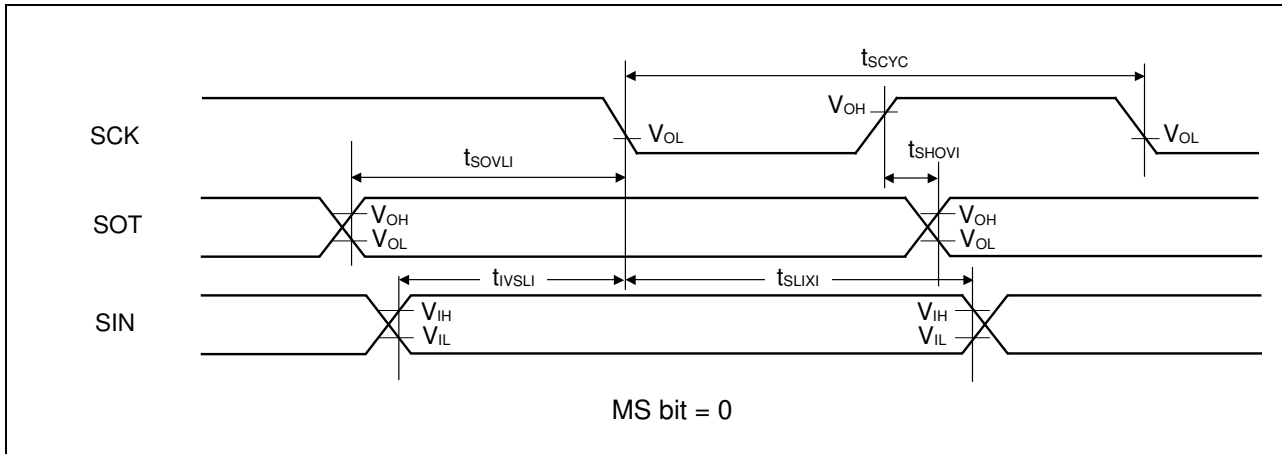
## Synchronous Serial (SPI = 1, SCINV = 0)

(V<sub>CC</sub> = 2.7V to 3.6V, V<sub>SS</sub> = 0V)

| Parameter                  | Symbol             | Pin Name                            | Conditions                     | Value                   |      | Unit |
|----------------------------|--------------------|-------------------------------------|--------------------------------|-------------------------|------|------|
|                            |                    |                                     |                                | Min                     | Max  |      |
| Baud rate                  | -                  | -                                   | -                              | -                       | 8    | Mbps |
| Serial clock cycle time    | t <sub>SCYC</sub>  | SCK <sub>x</sub>                    | Internal shift clock operation | 4t <sub>CYCP</sub>      | -    | ns   |
| SCK↑→SOT delay time        | t <sub>SHOVI</sub> | SCK <sub>x</sub> , SOT <sub>x</sub> |                                | - 30                    | + 30 | ns   |
| SIN→SCK↓ setup time        | t <sub>IVSLI</sub> | SCK <sub>x</sub> , SIN <sub>x</sub> |                                | 50                      | -    | ns   |
| SCK↓→SIN hold time         | t <sub>SLIXI</sub> | SCK <sub>x</sub> , SIN <sub>x</sub> |                                | 0                       | -    | ns   |
| SOT→SCK↓ delay time        | t <sub>SOVLI</sub> | SCK <sub>x</sub> , SOT <sub>x</sub> |                                | 2t <sub>CYCP</sub> - 30 | -    | ns   |
| Serial clock L pulse width | t <sub>LSLH</sub>  | SCK <sub>x</sub>                    |                                | 2t <sub>CYCP</sub> - 10 | -    | ns   |
| Serial clock H pulse width | t <sub>SHSL</sub>  | SCK <sub>x</sub>                    | External shift clock operation | t <sub>CYCP</sub> + 10  | -    | ns   |
| SCK↑→SOT delay time        | t <sub>SHOVE</sub> | SCK <sub>x</sub> , SOT <sub>x</sub> |                                | -                       | 50   | ns   |
| SIN→SCK↓ setup time        | t <sub>IVSLE</sub> | SCK <sub>x</sub> , SIN <sub>x</sub> |                                | 10                      | -    | ns   |
| SCK↓→SIN hold time         | t <sub>SLIXE</sub> | SCK <sub>x</sub> , SIN <sub>x</sub> |                                | 20                      | -    | ns   |
| SCK falling time           | t <sub>F</sub>     | SCK <sub>x</sub>                    |                                | -                       | 5    | ns   |
| SCK rising time            | t <sub>R</sub>     | SCK <sub>x</sub>                    |                                | -                       | 5    | ns   |

### Notes:

- The above characteristics apply to CLK synchronous mode.
- t<sub>CYCP</sub> indicates the APB bus clock cycle time.  
About the APB bus number which multi-function serial is connected to, see 8. Block Diagram in this data sheet.
- These characteristics only guarantee the same relocate port number.  
For example, the combination of SCK<sub>x\_0</sub> and SOT<sub>x\_1</sub> is not guaranteed.
- When the external load capacitance C<sub>L</sub> = 30 pF.



**Synchronous Serial (SPI = 1, SCINV = 1)**

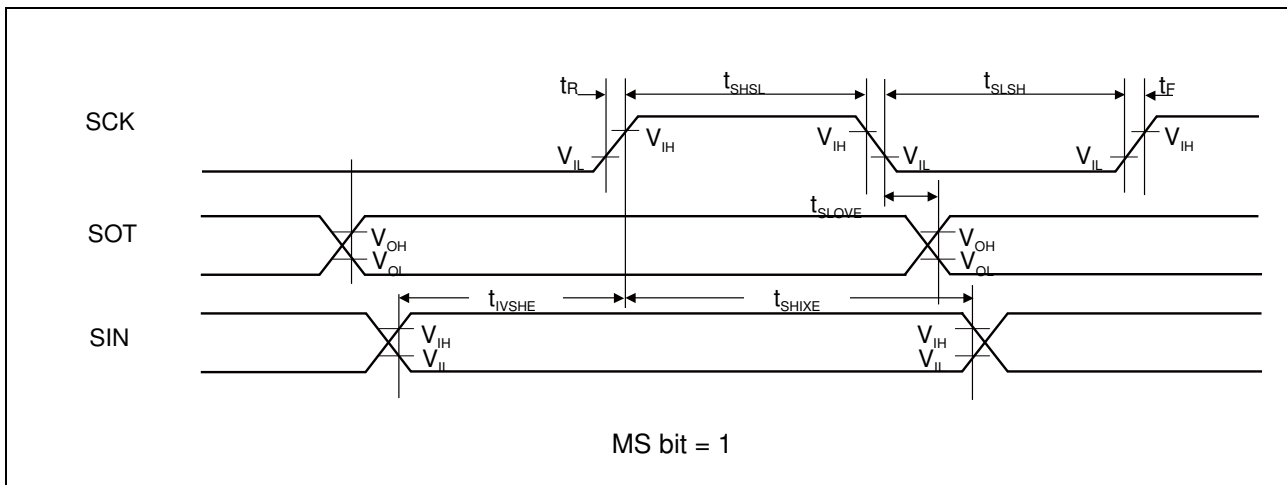
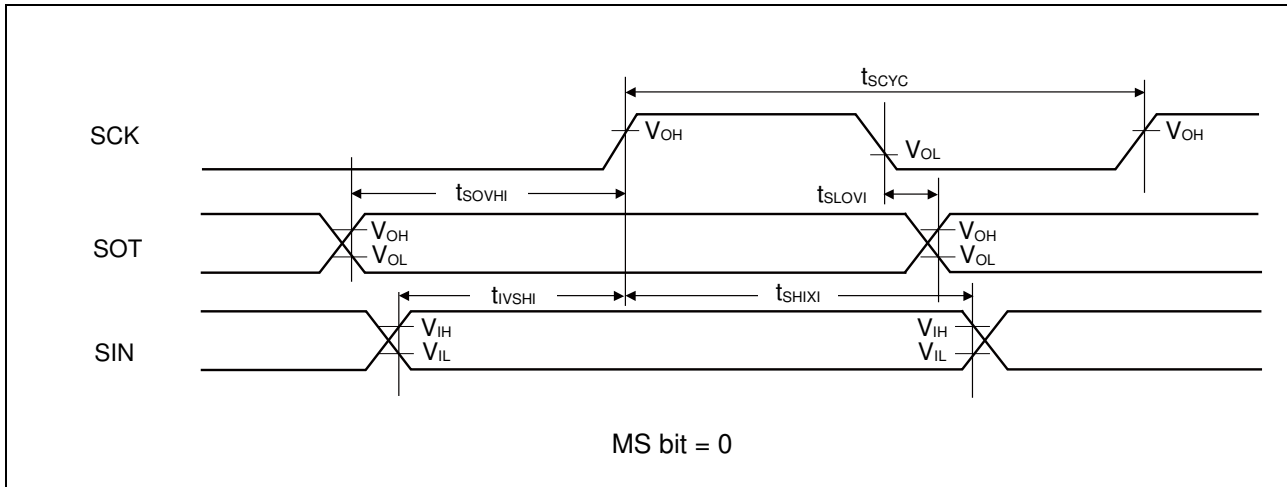
(V<sub>CC</sub> = 2.7V to 3.6V, V<sub>SS</sub> = 0V)

| Parameter                  | Symbol             | Pin name                            | Conditions                     | Value                   |      | Unit |
|----------------------------|--------------------|-------------------------------------|--------------------------------|-------------------------|------|------|
|                            |                    |                                     |                                | Min                     | Max  |      |
| Baud rate                  | -                  | -                                   | -                              | -                       | 8    | Mbps |
| Serial clock cycle time    | t <sub>SCYC</sub>  | SCK <sub>x</sub>                    | Internal shift clock operation | 4t <sub>CYCP</sub>      | -    | ns   |
| SCK↓→SOT delay time        | t <sub>SLOVI</sub> | SCK <sub>x</sub> , SOT <sub>x</sub> |                                | - 30                    | + 30 | ns   |
| SIN→SCK↑ setup time        | t <sub>IVSHI</sub> | SCK <sub>x</sub> , SIN <sub>x</sub> |                                | 50                      | -    | ns   |
| SCK↑→SIN hold time         | t <sub>SHIXI</sub> | SCK <sub>x</sub> , SIN <sub>x</sub> |                                | 0                       | -    | ns   |
| SOT→SCK↑ delay time        | t <sub>SOVHI</sub> | SCK <sub>x</sub> , SOT <sub>x</sub> |                                | 2t <sub>CYCP</sub> - 30 | -    | ns   |
| Serial clock L pulse width | t <sub>LSLH</sub>  | SCK <sub>x</sub>                    |                                | 2t <sub>CYCP</sub> - 10 | -    | ns   |
| Serial clock H pulse width | t <sub>SHSL</sub>  | SCK <sub>x</sub>                    | t <sub>CYCP</sub> + 10         | -                       | ns   |      |
| SCK↓→SOT delay time        | t <sub>SLOVE</sub> | SCK <sub>x</sub> , SOT <sub>x</sub> | External shift clock operation | -                       | 50   | ns   |
| SIN→SCK↑ setup time        | t <sub>IVSHE</sub> | SCK <sub>x</sub> , SIN <sub>x</sub> |                                | 10                      | -    | ns   |
| SCK↑→SIN hold time         | t <sub>SHIXE</sub> | SCK <sub>x</sub> , SIN <sub>x</sub> |                                | 20                      | -    | ns   |
| SCK falling time           | t <sub>F</sub>     | SCK <sub>x</sub>                    |                                | -                       | 5    | ns   |
| SCK rising time            | t <sub>R</sub>     | SCK <sub>x</sub>                    |                                | -                       | 5    | ns   |

**Notes:**

- The above characteristics apply to CLK synchronous mode.
- t<sub>CYCP</sub> indicates the APB bus clock cycle time.  
About the APB bus number which multi-function serial is connected to, see 8. Block Diagram in this data sheet.
- These characteristics only guarantee the same relocate port number.  
For example, the combination of SCK<sub>x\_0</sub> and SOT<sub>x\_1</sub> is not guaranteed.
- When the external load capacitance C<sub>L</sub> = 30 pF.





**When Using Synchronous Serial Chip Select (SCINV = 0, CSLVL=1)**

(V<sub>CC</sub> = 2.7V to 3.6V, V<sub>SS</sub> = 0V)

| Parameter            | Symbol            | Conditions                     | Value                          |                                | Unit |
|----------------------|-------------------|--------------------------------|--------------------------------|--------------------------------|------|
|                      |                   |                                | Min                            | Max                            |      |
| SCS↓→SCK↓ setup time | t <sub>CSSI</sub> | Internal shift clock operation | (*1)-50                        | (*1)+0                         | ns   |
| SCK↑→SCS↑ hold time  | t <sub>CShI</sub> |                                | (*2)+0                         | (*2)+50                        | ns   |
| SCS deselect time    | t <sub>CSDI</sub> |                                | (*3)-50<br>+5t <sub>CYCP</sub> | (*3)+50<br>+5t <sub>CYCP</sub> | ns   |
| SCS↓→SCK↓ setup time | t <sub>CSSe</sub> | External shift clock operation | 3t <sub>CYCP</sub> +30         | -                              | ns   |
| SCK↑→SCS↑ hold time  | t <sub>CShE</sub> |                                | 0                              | -                              | ns   |
| SCS deselect time    | t <sub>CSDe</sub> |                                | 3t <sub>CYCP</sub> +30         | -                              | ns   |
| SCS↓→SOT delay time  | t <sub>DSE</sub>  |                                | -                              | 40                             | ns   |
| SCS↑→SOT delay time  | t <sub>DEE</sub>  |                                | 0                              | -                              | ns   |

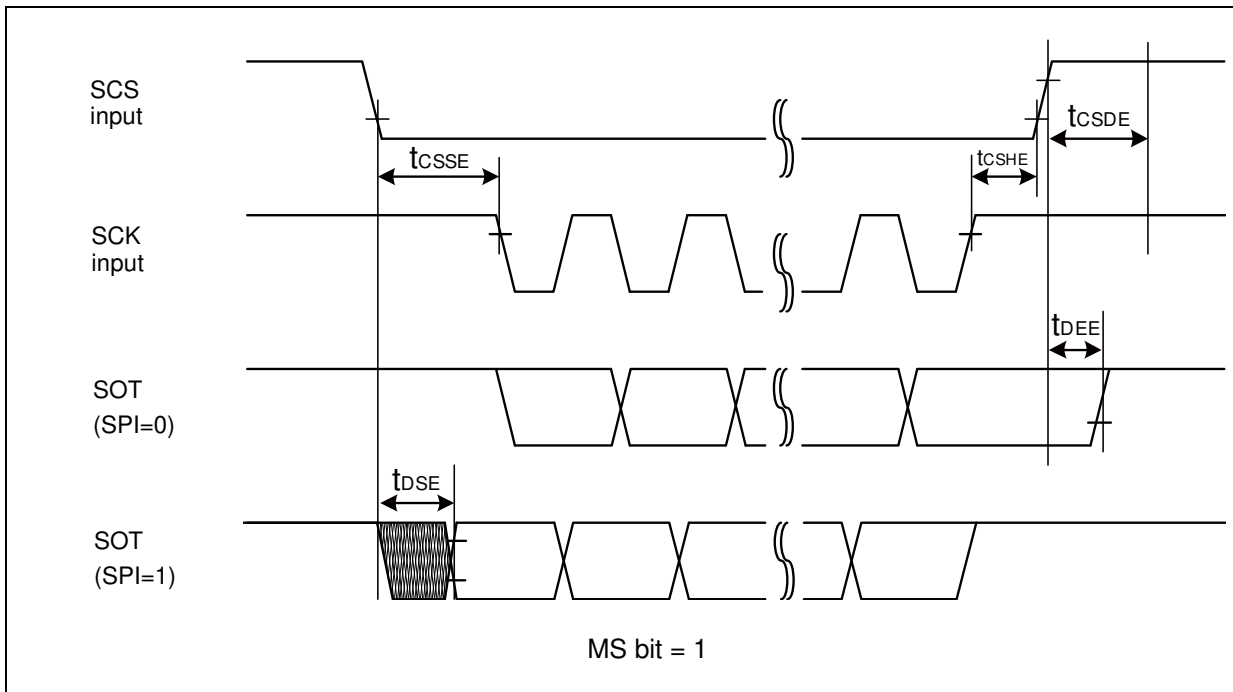
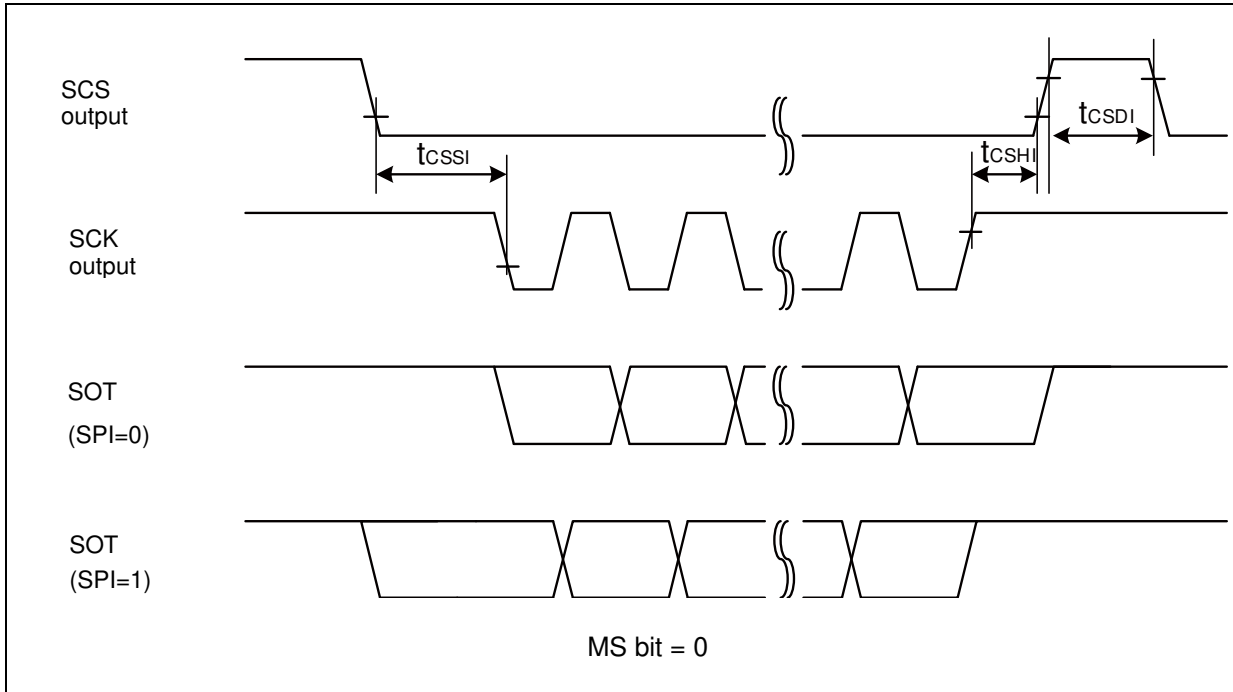
(\*1): CSSU bit value×serial chip select timing operating clock cycle [ns]

(\*2): CSHD bit value×serial chip select timing operating clock cycle [ns]

(\*3): CSDS bit value×serial chip select timing operating clock cycle [ns]

**Notes:**

- t<sub>CYCP</sub> indicates the APB bus clock cycle time.  
About the APB bus number which multi-function serial is connected to, see 8. Block Diagram in this data sheet.
- About CSSU, CSHD, CSDS, serial chip select timing operating clock, see FM4 Family Peripheral Manual Main part (002-04856).
- When the external load capacitance C<sub>L</sub> = 30 pF.



## When Using Synchronous Serial Chip Select (SCINV = 1, CSLVL=1)

(V<sub>CC</sub> = 2.7V to 3.6V, V<sub>SS</sub> = 0V)

| Parameter            | Symbol            | Conditions                     | Value                      |                            | Unit |
|----------------------|-------------------|--------------------------------|----------------------------|----------------------------|------|
|                      |                   |                                | Min                        | Max                        |      |
| SCS↓→SCK↑ setup time | t <sub>CSSI</sub> | Internal shift clock operation | (*1)-50                    | (*1)+0                     | ns   |
| SCK↓→SCS↑ hold time  | t <sub>CShI</sub> |                                | (*2)+0                     | (*2)+50                    | ns   |
| SCS deselect time    | t <sub>CSDI</sub> |                                | (*3)-50+5t <sub>CYCP</sub> | (*3)+50+5t <sub>CYCP</sub> | ns   |
| SCS↓→SCK↑ setup time | t <sub>CSSE</sub> | External shift clock operation | 3t <sub>CYCP</sub> +30     | -                          | ns   |
| SCK↓→SCS↑ hold time  | t <sub>CSHE</sub> |                                | 0                          | -                          | ns   |
| SCS deselect time    | t <sub>CSDE</sub> |                                | 3t <sub>CYCP</sub> +30     | -                          | ns   |
| SCS↓→SOT delay time  | t <sub>DSE</sub>  |                                | -                          | 40                         | ns   |
| SCS↑→SOT delay time  | t <sub>DEE</sub>  |                                | 0                          | -                          | ns   |

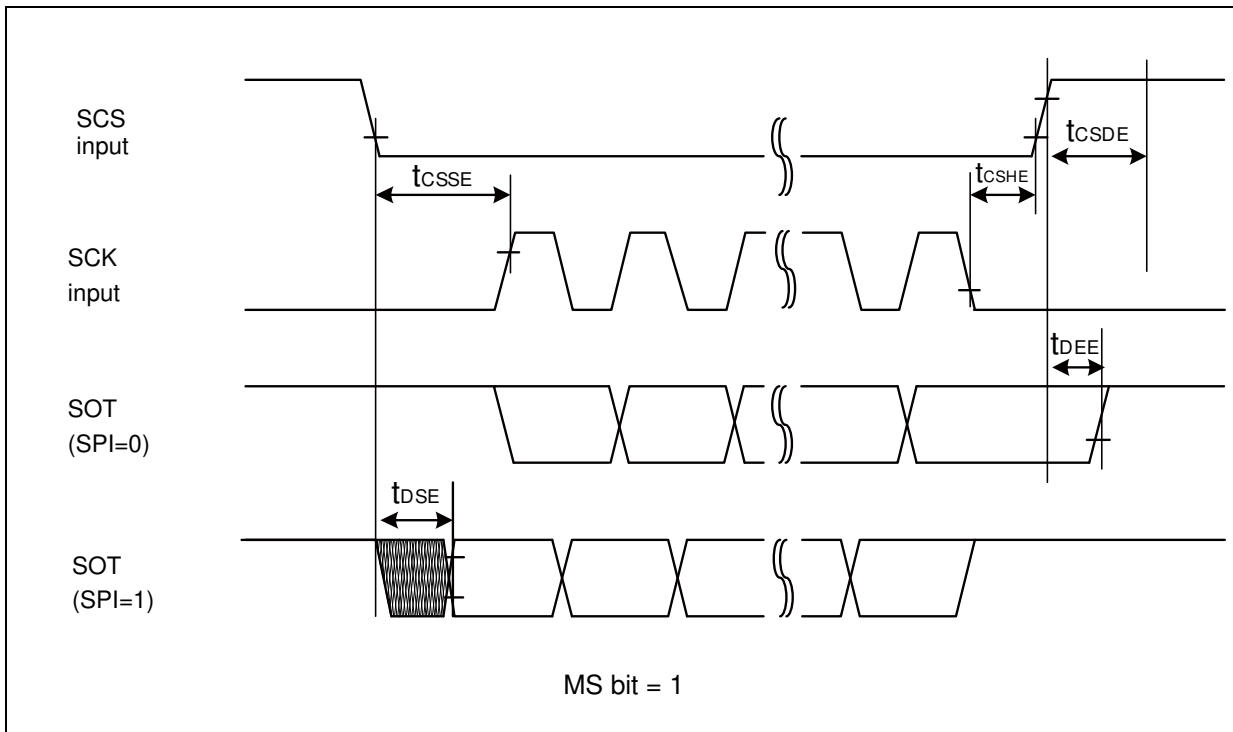
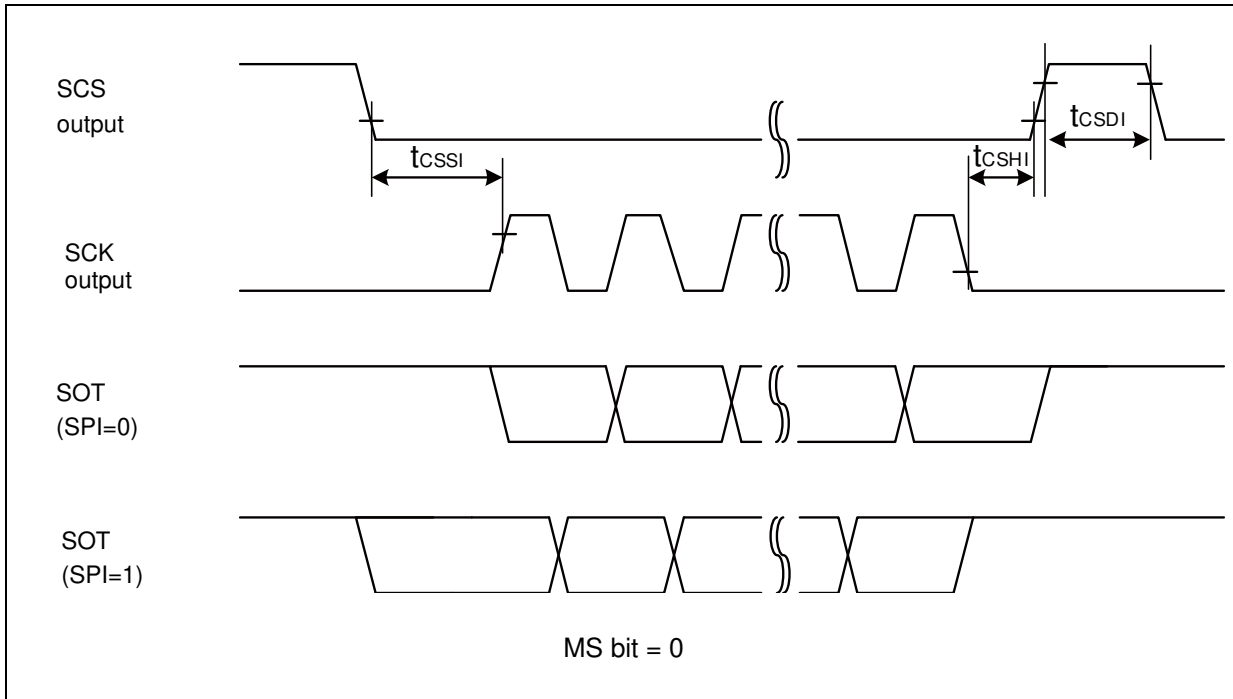
(\*1): CSSU bit value×serial chip select timing operating clock cycle [ns]

(\*2): CSHD bit value×serial chip select timing operating clock cycle [ns]

(\*3): CSDS bit value×serial chip select timing operating clock cycle [ns]

### Notes:

- t<sub>CYCP</sub> indicates the APB bus clock cycle time.  
About the APB bus number which multi-function serial is connected to, see 8. Block Diagram in this data sheet.
- About CSSU, CSHD, CSDS, serial chip select timing operating clock, see FM4 Family Peripheral Manual Main part (002-04856).
- When the external load capacitance C<sub>L</sub> = 30 pF.



**When Using Synchronous Serial Chip Select (SCINV = 0, CSLVL=0)**

(V<sub>CC</sub> = 2.7V to 3.6V, V<sub>SS</sub> = 0V)

| Parameter            | Symbol            | Conditions                     | Value                      |                            | Unit |
|----------------------|-------------------|--------------------------------|----------------------------|----------------------------|------|
|                      |                   |                                | Min                        | Max                        |      |
| SCS↑→SCK↓ setup time | t <sub>CSSI</sub> | Internal shift clock operation | (*1)-50                    | (*1)+0                     | ns   |
| SCK↑→SCS↓ hold time  | t <sub>CShI</sub> |                                | (*2)+0                     | (*2)+50                    | ns   |
| SCS deselect time    | t <sub>CSDI</sub> |                                | (*3)-50+5t <sub>CYCP</sub> | (*3)+50+5t <sub>CYCP</sub> | ns   |
| SCS↑→SCK↓ setup time | t <sub>CSSe</sub> | External shift clock operation | 3t <sub>CYCP</sub> +30     | -                          | ns   |
| SCK↑→SCS↓ hold time  | t <sub>CShE</sub> |                                | 0                          | -                          | ns   |
| SCS deselect time    | t <sub>CSDe</sub> |                                | 3t <sub>CYCP</sub> +30     | -                          | ns   |
| SCS↑→SOT delay time  | t <sub>DSE</sub>  |                                | -                          | 40                         | ns   |
| SCS↓→SOT delay time  | t <sub>DEE</sub>  |                                | 0                          | -                          | ns   |

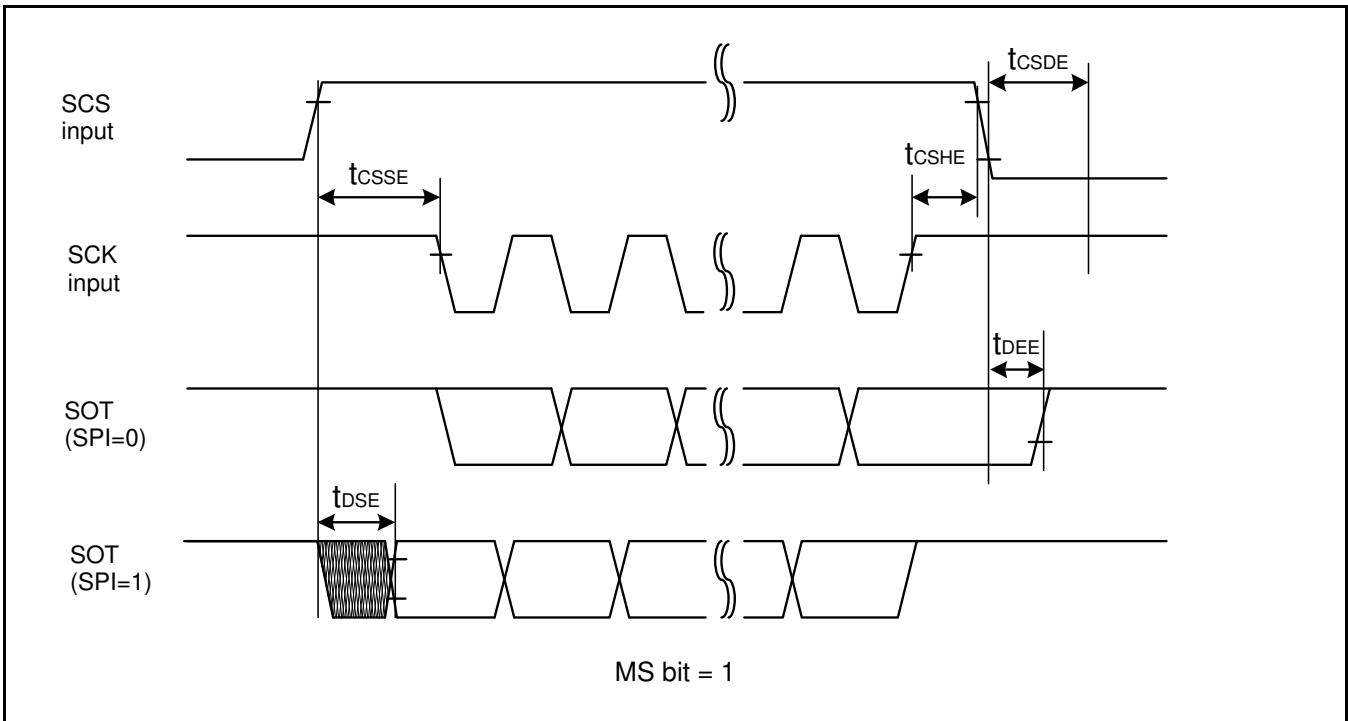
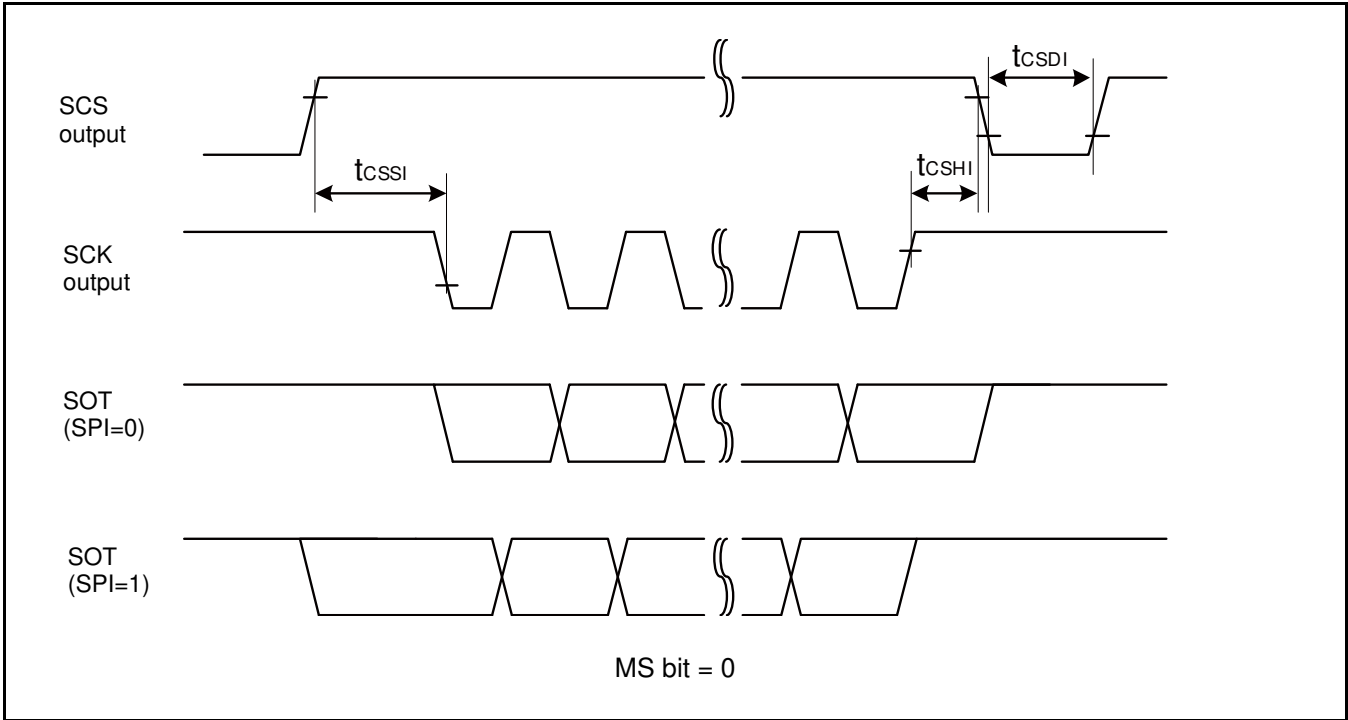
(\*1): CSSU bit value×serial chip select timing operating clock cycle [ns]

(\*2): CSHD bit value×serial chip select timing operating clock cycle [ns]

(\*3): CSDS bit value×serial chip select timing operating clock cycle [ns]

**Notes:**

- t<sub>CYCP</sub> indicates the APB bus clock cycle time.  
About the APB bus number which multi-function serial is connected to, see 8. Block Diagram in this data sheet.
- About CSSU, CSHD, CSDS, serial chip select timing operating clock, see FM4 Family Peripheral Manual Main part (002-04856).
- When the external load capacitance C<sub>L</sub> = 30 pF.



**When Using Synchronous Serial Chip Select (SCINV = 1, CSLVL=0)**

(V<sub>CC</sub> = 2.7V to 3.6V, V<sub>SS</sub> = 0V)

| Parameter            | Symbol            | Conditions                     | Value                      |                            | Unit |
|----------------------|-------------------|--------------------------------|----------------------------|----------------------------|------|
|                      |                   |                                | Min                        | Max                        |      |
| SCS↑→SCK↑ setup time | t <sub>CSSI</sub> | Internal shift clock operation | (*1)-50                    | (*1)+0                     | ns   |
| SCK↓→SCS↓ hold time  | t <sub>CShI</sub> |                                | (*2)+0                     | (*2)+50                    | ns   |
| SCS deselect time    | t <sub>CSDI</sub> |                                | (*3)-50+5t <sub>CYCP</sub> | (*3)+50+5t <sub>CYCP</sub> | ns   |
| SCS↑→SCK↑ setup time | t <sub>CSSe</sub> | External shift clock operation | 3t <sub>CYCP</sub> +30     | -                          | ns   |
| SCK↓→SCS↓ hold time  | t <sub>CShE</sub> |                                | 0                          | -                          | ns   |
| SCS deselect time    | t <sub>CSDe</sub> |                                | 3t <sub>CYCP</sub> +30     | -                          | ns   |
| SCS↑→SOT delay time  | t <sub>DSE</sub>  |                                | -                          | 40                         | ns   |
| SCS↓→SOT delay time  | t <sub>DEE</sub>  |                                | 0                          | -                          | ns   |

(\*1): CSSU bit value×serial chip select timing operating clock cycle [ns]

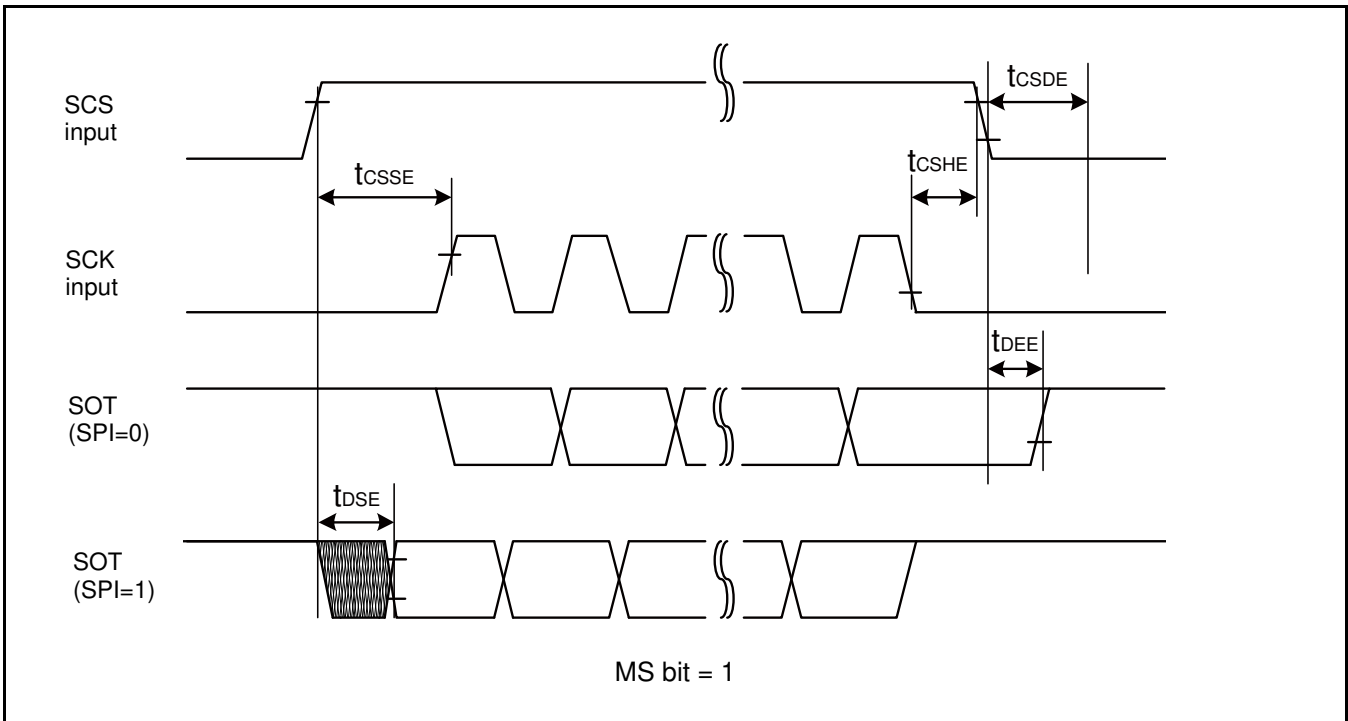
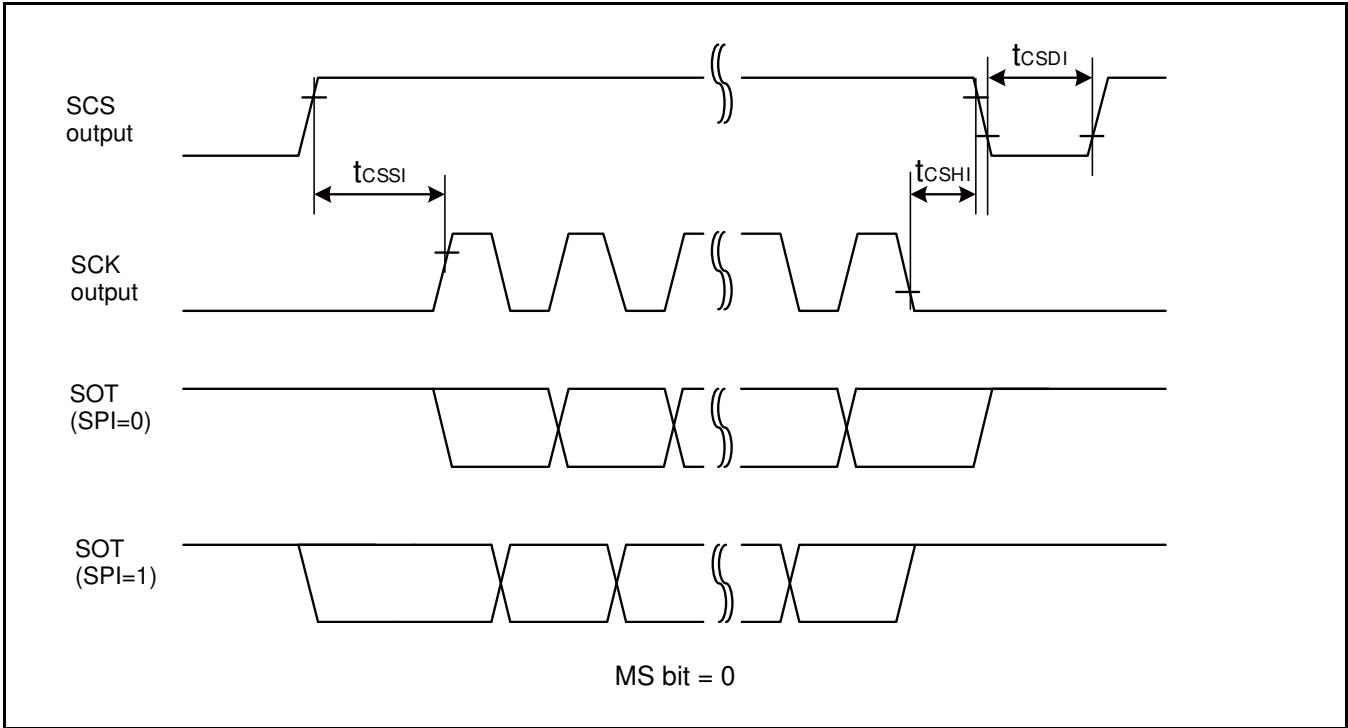
(\*2): CSHD bit value×serial chip select timing operating clock cycle [ns]

(\*3): CSDS bit value×serial chip select timing operating clock cycle [ns]

**Notes:**

- t<sub>CYCP</sub> indicates the APB bus clock cycle time.  
About the APB bus number which multi-function serial is connected to, see 8. Block Diagram in this data sheet.
- About CSSU, CSHD, CSDS, serial chip select timing operating clock, see FM4 Family Peripheral Manual Main part (002-04856).
- When the external load capacitance C<sub>L</sub> = 30 pF.





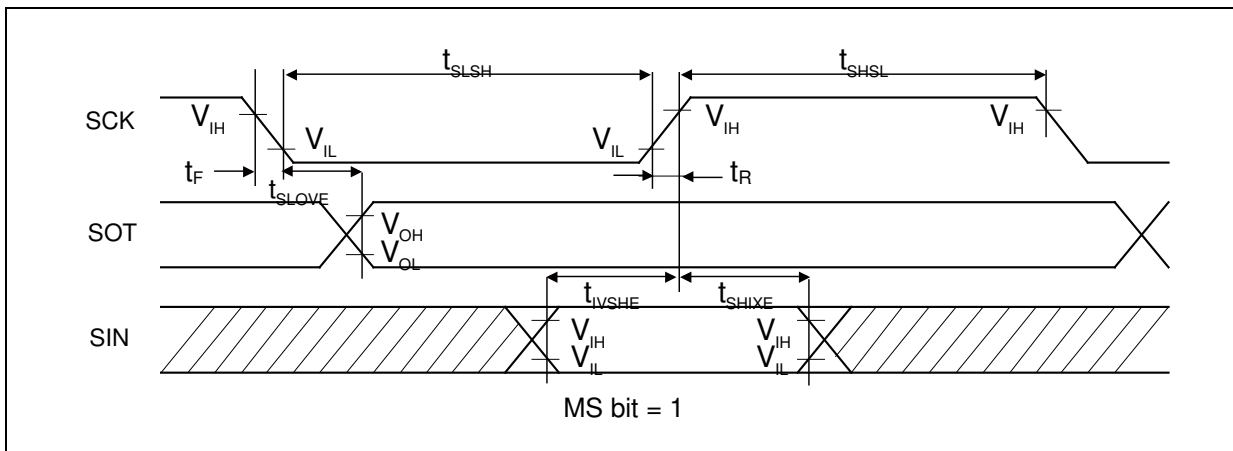
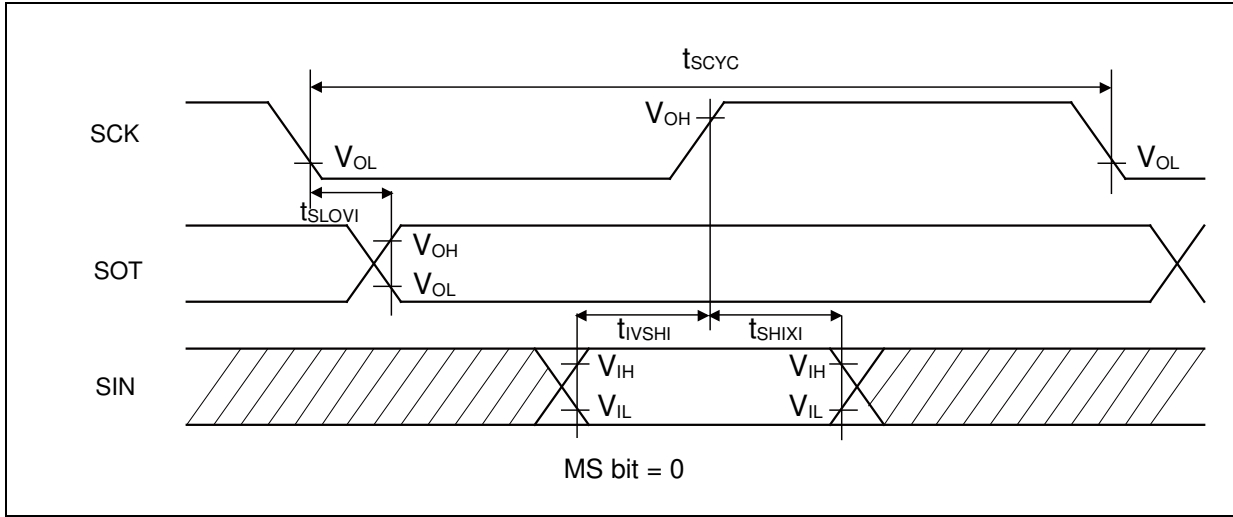
**High-Speed Synchronous Serial (SPI = 0, SCINV = 0)**

(V<sub>CC</sub> = 2.7V to 3.6V, V<sub>SS</sub> = 0V)

| Parameter                  | Symbol             | Pin Name                            | Conditions                     | Value                  |      | Unit |
|----------------------------|--------------------|-------------------------------------|--------------------------------|------------------------|------|------|
|                            |                    |                                     |                                | Min                    | Max  |      |
| Serial clock cycle time    | t <sub>SCYC</sub>  | SCK <sub>x</sub>                    | Internal shift clock operation | 4t <sub>CYCP</sub>     | -    | ns   |
| SCK↓→SOT delay time        | t <sub>SLOVI</sub> | SCK <sub>x</sub> , SOT <sub>x</sub> |                                | - 10                   | + 10 | ns   |
| SIN→SCK↑ setup time        | t <sub>IVSHI</sub> | SCK <sub>x</sub> , SIN <sub>x</sub> |                                | 14                     | -    | ns   |
|                            |                    |                                     |                                | 12.5*                  |      |      |
| SCK↑→SIN hold time         | t <sub>SHIXI</sub> | SCK <sub>x</sub> , SIN <sub>x</sub> |                                | 5                      | -    | ns   |
| Serial clock L pulse width | t <sub>SLSH</sub>  | SCK <sub>x</sub>                    | External shift clock operation | 2t <sub>CYCP</sub> - 5 | -    | ns   |
| Serial clock H pulse width | t <sub>SHSL</sub>  | SCK <sub>x</sub>                    |                                | t <sub>CYCP</sub> + 10 | -    | ns   |
| SCK↓→SOT delay time        | t <sub>SLOVE</sub> | SCK <sub>x</sub> , SOT <sub>x</sub> |                                | -                      | 15   | ns   |
| SIN→SCK↑ setup time        | t <sub>IVSHE</sub> | SCK <sub>x</sub> , SIN <sub>x</sub> |                                | 5                      | -    | ns   |
| SCK↑→SIN hold time         | t <sub>SHIXE</sub> | SCK <sub>x</sub> , SIN <sub>x</sub> |                                | 5                      | -    | ns   |
| SCK falling time           | t <sub>F</sub>     | SCK <sub>x</sub>                    |                                | -                      | 5    | ns   |
| SCK rising time            | t <sub>R</sub>     | SCK <sub>x</sub>                    |                                | -                      | 5    | ns   |

**Notes:**

- The above characteristics apply to CLK synchronous mode.
- t<sub>CYCP</sub> indicates the APB bus clock cycle time.  
About the APB bus number which multi-function serial is connected to, see 8. Block Diagram in this data sheet.
- These characteristics only guarantee the following pins.  
SIN6\_0, SOT6\_0, SCK6\_0, SCS60\_0
- When the external load capacitance C<sub>L</sub> = 30 pF. (For \*, when C<sub>L</sub> = 10 pF)



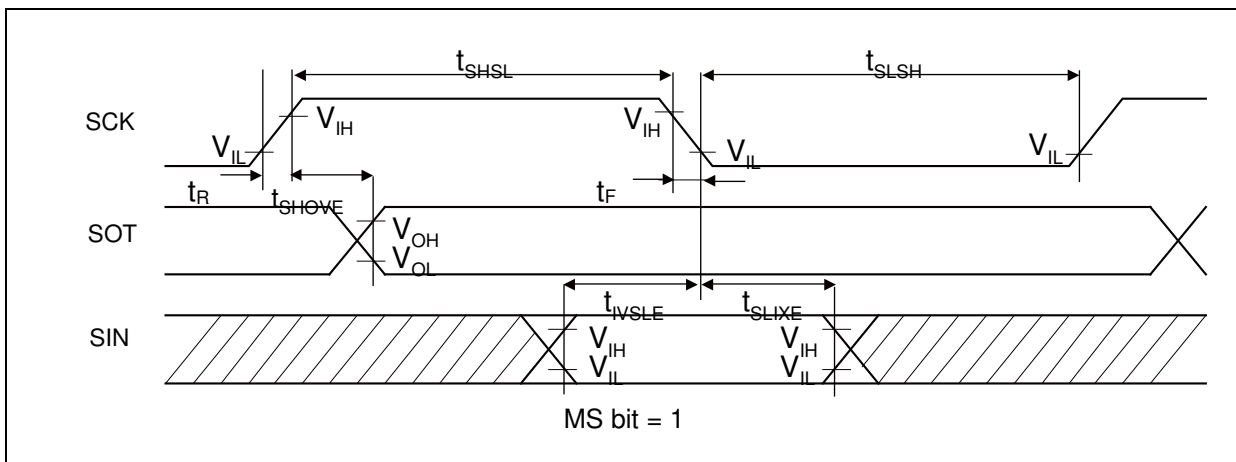
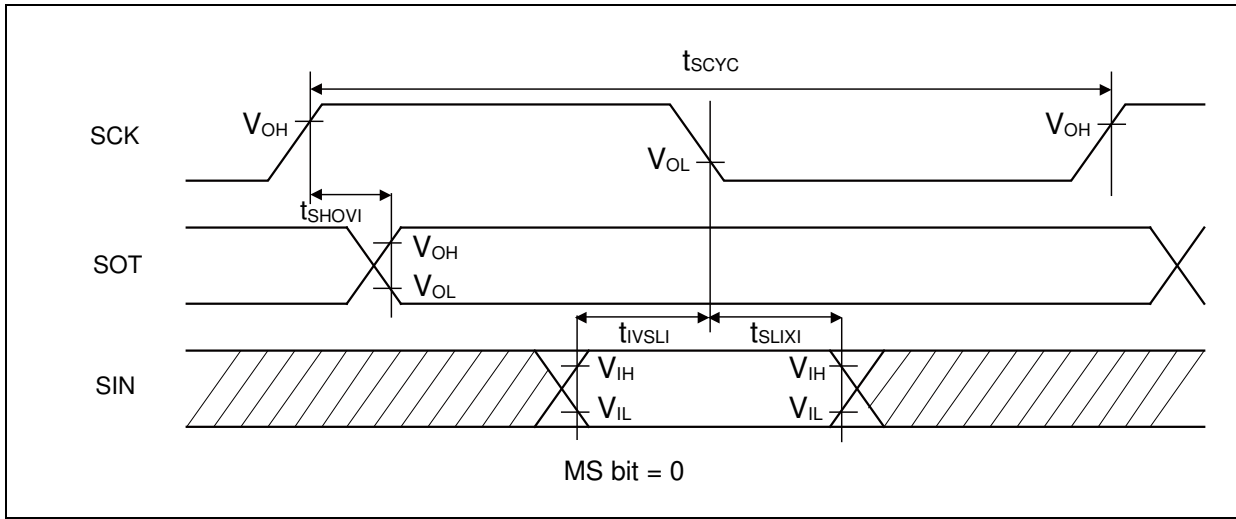
**High-Speed Synchronous Serial (SPI = 0, SCINV = 1)**

(V<sub>CC</sub> = 2.7V to 3.6V, V<sub>SS</sub> = 0V)

| Parameter                  | Symbol             | Pin Name   | Conditions                     | Value                  |      | Unit |
|----------------------------|--------------------|------------|--------------------------------|------------------------|------|------|
|                            |                    |            |                                | Min                    | Max  |      |
| Serial clock cycle time    | t <sub>SCYC</sub>  | SCKx       | Internal shift clock operation | 4t <sub>CYCP</sub>     | -    | ns   |
| SCK↑→SOT delay time        | t <sub>SHOVI</sub> | SCKx, SOTx |                                | - 10                   | + 10 | ns   |
| SIN→SCK↓ setup time        | t <sub>IVSLI</sub> | SCKx, SINx |                                | 14                     | -    | ns   |
|                            |                    |            |                                | 12.5*                  |      |      |
| SCK↓→SIN hold time         | t <sub>SLIXI</sub> | SCKx, SINx |                                | 5                      | -    | ns   |
| Serial clock L pulse width | t <sub>SLSH</sub>  | SCKx       | External shift clock operation | 2t <sub>CYCP</sub> - 5 | -    | ns   |
| Serial clock H pulse width | t <sub>SHSL</sub>  | SCKx       |                                | t <sub>CYCP</sub> + 10 | -    | ns   |
| SCK↑→SOT delay time        | t <sub>SHOVE</sub> | SCKx, SOTx |                                | -                      | 15   | ns   |
| SIN→SCK↓ setup time        | t <sub>IVSLE</sub> | SCKx, SINx |                                | 5                      | -    | ns   |
| SCK↓→SIN hold time         | t <sub>SLIXE</sub> | SCKx, SINx |                                | 5                      | -    | ns   |
| SCK falling time           | t <sub>F</sub>     | SCKx       |                                | -                      | 5    | ns   |
| SCK rising time            | t <sub>R</sub>     | SCKx       |                                | -                      | 5    | ns   |

**Notes:**

- The above characteristics apply to CLK synchronous mode.
- t<sub>CYCP</sub> indicates the APB bus clock cycle time.  
About the APB bus number which multi-function serial is connected to, see 8. Block Diagram in this data sheet.
- These characteristics only guarantee the following pins.  
SIN6\_0, SOT6\_0, SCK6\_0, SCS60\_0
- When the external load capacitance C<sub>L</sub> = 30 pF. (For \*, when C<sub>L</sub> = 10 pF)



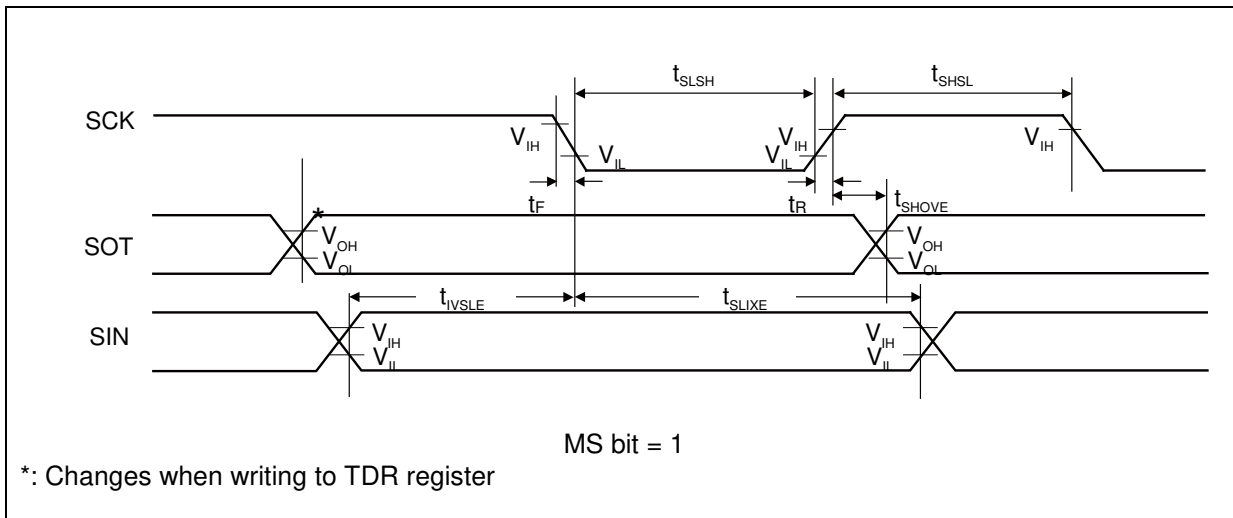
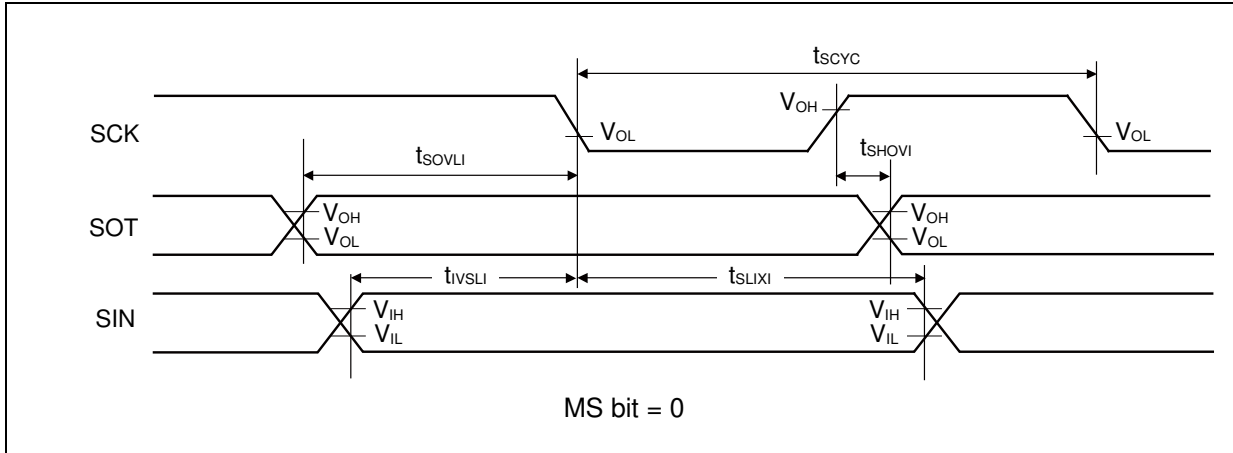
**High-Speed Synchronous Serial (SPI = 1, SCINV = 0)**

(V<sub>CC</sub> = 2.7V to 3.6V, V<sub>SS</sub> = 0V)

| Parameter                  | Symbol             | Pin Name   | Conditions                     | Value                   |      | Unit |
|----------------------------|--------------------|------------|--------------------------------|-------------------------|------|------|
|                            |                    |            |                                | Min                     | Max  |      |
| Serial clock cycle time    | t <sub>SCYC</sub>  | SCKx       | Internal shift clock operation | 4t <sub>CYCP</sub>      | -    | ns   |
| SCK↑→SOT delay time        | t <sub>SHOVI</sub> | SCKx, SOTx |                                | - 10                    | + 10 | ns   |
| SIN→SCK↓ setup time        | t <sub>IVSLI</sub> | SCKx, SINx |                                | 14                      | -    | ns   |
|                            |                    |            |                                | 12.5*                   |      |      |
| SCK↓→SIN hold time         | t <sub>SLIXI</sub> | SCKx, SINx |                                | 5                       | -    | ns   |
| SOT→SCK↓ delay time        | t <sub>SOVLI</sub> | SCKx, SOTx |                                | 2t <sub>CYCP</sub> - 10 | -    | ns   |
| Serial clock L pulse width | t <sub>LSLH</sub>  | SCKx       | External shift clock operation | 2t <sub>CYCP</sub> - 5  | -    | ns   |
| Serial clock H pulse width | t <sub>SHSL</sub>  | SCKx       |                                | t <sub>CYCP</sub> + 10  | -    | ns   |
| SCK↑→SOT delay time        | t <sub>SHOVE</sub> | SCKx, SOTx |                                | -                       | 15   | ns   |
| SIN→SCK↓ setup time        | t <sub>IVSLE</sub> | SCKx, SINx |                                | 5                       | -    | ns   |
| SCK↓→SIN hold time         | t <sub>SLIXE</sub> | SCKx, SINx |                                | 5                       | -    | ns   |
| SCK falling time           | t <sub>F</sub>     | SCKx       |                                | -                       | 5    | ns   |
| SCK rising time            | t <sub>R</sub>     | SCKx       |                                | -                       | 5    | ns   |

**Notes:**

- The above characteristics apply to CLK synchronous mode.
- t<sub>CYCP</sub> indicates the APB bus clock cycle time.  
About the APB bus number which multi-function serial is connected to, see 8. Block Diagram in this data sheet.
- These characteristics only guarantee the following pins.  
SIN6\_0, SOT6\_0, SCK6\_0, SCS60\_0
- When the external load capacitance C<sub>L</sub> = 30 pF. (For \*, when C<sub>L</sub> = 10 pF)



**High-Speed Synchronous Serial (SPI = 1, SCINV = 1)**

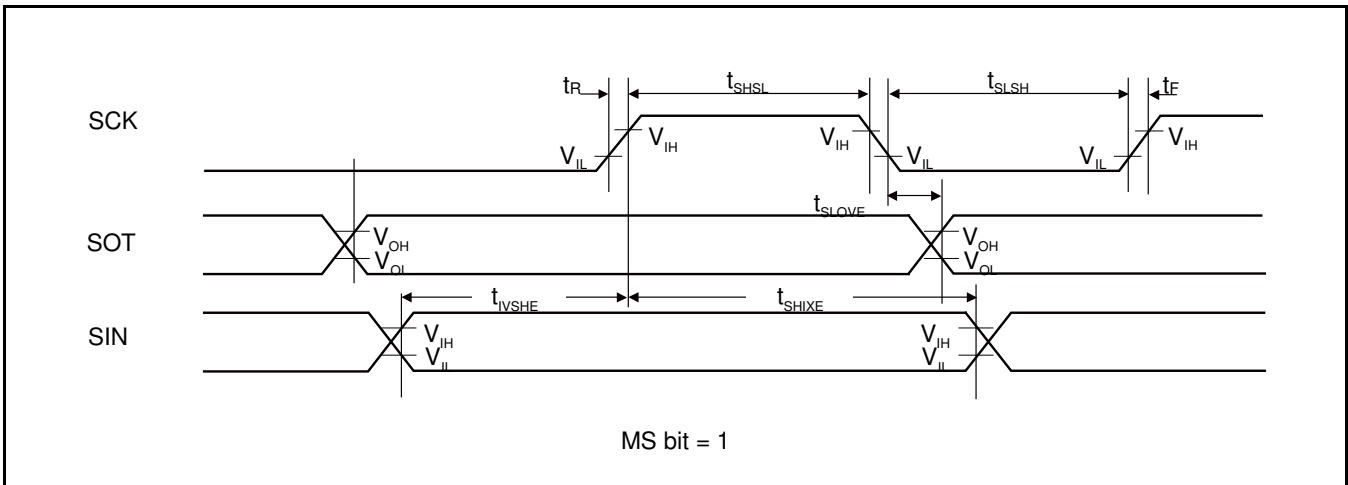
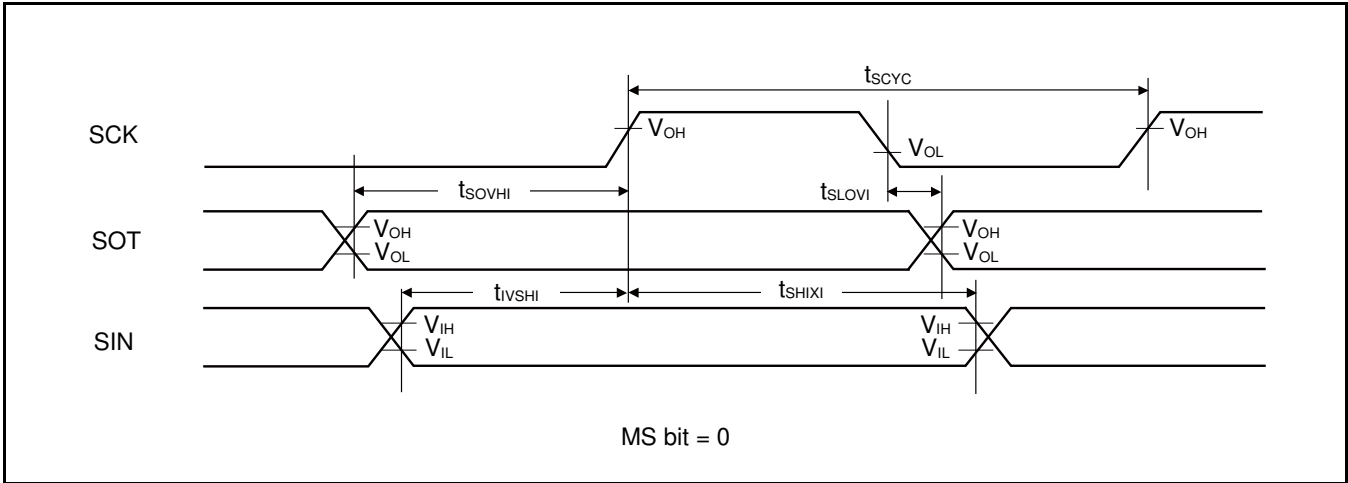
(V<sub>CC</sub> = 2.7V to 3.6V, V<sub>SS</sub> = 0V)

| Parameter                  | Symbol             | Pin Name      | Conditions                     | Value                   |      | Unit |
|----------------------------|--------------------|---------------|--------------------------------|-------------------------|------|------|
|                            |                    |               |                                | Min                     | Max  |      |
| Serial clock cycle time    | t <sub>SCYC</sub>  | SCKx          | Internal shift clock operation | 4t <sub>CYCP</sub>      | -    | ns   |
| SCK↓→SOT delay time        | t <sub>SLOVI</sub> | SCKx,<br>SOTx |                                | - 10                    | + 10 | ns   |
| SIN→SCK↑ setup time        | t <sub>IVSHI</sub> | SCKx,<br>SINx |                                | 14                      | -    | ns   |
|                            |                    |               |                                | 12.5*                   |      |      |
| SCK↑→SIN hold time         | t <sub>SHIXI</sub> | SCKx,<br>SINx |                                | 5                       | -    | ns   |
| SOT→SCK↑ delay time        | t <sub>SOVHI</sub> | SCKx,<br>SOTx |                                | 2t <sub>CYCP</sub> - 10 | -    | ns   |
| Serial clock L pulse width | t <sub>SLSH</sub>  | SCKx          | External shift clock operation | 2t <sub>CYCP</sub> - 5  | -    | ns   |
| Serial clock H pulse width | t <sub>SHSL</sub>  | SCKx          |                                | t <sub>CYCP</sub> + 10  | -    | ns   |
| SCK↓→SOT delay time        | t <sub>SLOVE</sub> | SCKx,<br>SOTx |                                | -                       | 15   | ns   |
| SIN→SCK↑ setup time        | t <sub>IVSHE</sub> | SCKx,<br>SINx |                                | 5                       | -    | ns   |
| SCK↑→SIN hold time         | t <sub>SHIXE</sub> | SCKx,<br>SINx |                                | 5                       | -    | ns   |
| SCK falling time           | t <sub>F</sub>     | SCKx          |                                | -                       | 5    | ns   |
| SCK rising time            | t <sub>R</sub>     | SCKx          |                                | -                       | 5    | ns   |

**Notes:**

- The above characteristics apply to CLK synchronous mode.
- t<sub>CYCP</sub> indicates the APB bus clock cycle time.  
About the APB bus number which multi-function serial is connected to, see 8. Block Diagram in this data sheet.
- These characteristics only guarantee the following pins.  
SIN6\_0, SOT6\_0, SCK6\_0, SCS60\_0
- When the external load capacitance C<sub>L</sub> = 30 pF. (For \*, when C<sub>L</sub> = 10 pF)





**When Using High-Speed Synchronous Serial Chip Select (SCINV = 0, CSLVL=1)**

(V<sub>CC</sub> = 2.7V to 3.6V, V<sub>SS</sub> = 0V)

| Parameter            | Symbol            | Conditions                     | Value                      |                            | Unit |
|----------------------|-------------------|--------------------------------|----------------------------|----------------------------|------|
|                      |                   |                                | Min                        | Max                        |      |
| SCS↓→SCK↓ setup time | t <sub>CSSI</sub> | Internal shift clock operation | (*1)-20                    | (*1)+0                     | ns   |
| SCK↑→SCS↑ hold time  | t <sub>CSHI</sub> |                                | (*2)+0                     | (*2)+20                    | ns   |
| SCS deselect time    | t <sub>CSDI</sub> |                                | (*3)-20+5t <sub>CYCP</sub> | (*3)+20+5t <sub>CYCP</sub> | ns   |
| SCS↓→SCK↓ setup time | t <sub>CSSE</sub> | External shift clock operation | 3t <sub>CYCP</sub> +15     | -                          | ns   |
| SCK↑→SCS↑ hold time  | t <sub>CSHE</sub> |                                | 0                          | -                          | ns   |
| SCS deselect time    | t <sub>CSDE</sub> |                                | 3t <sub>CYCP</sub> +15     | -                          | ns   |
| SCS↓→SOT delay time  | t <sub>DSE</sub>  |                                | -                          | 25                         | ns   |
| SCS↑→SOT delay time  | t <sub>DEE</sub>  |                                | 0                          | -                          | ns   |

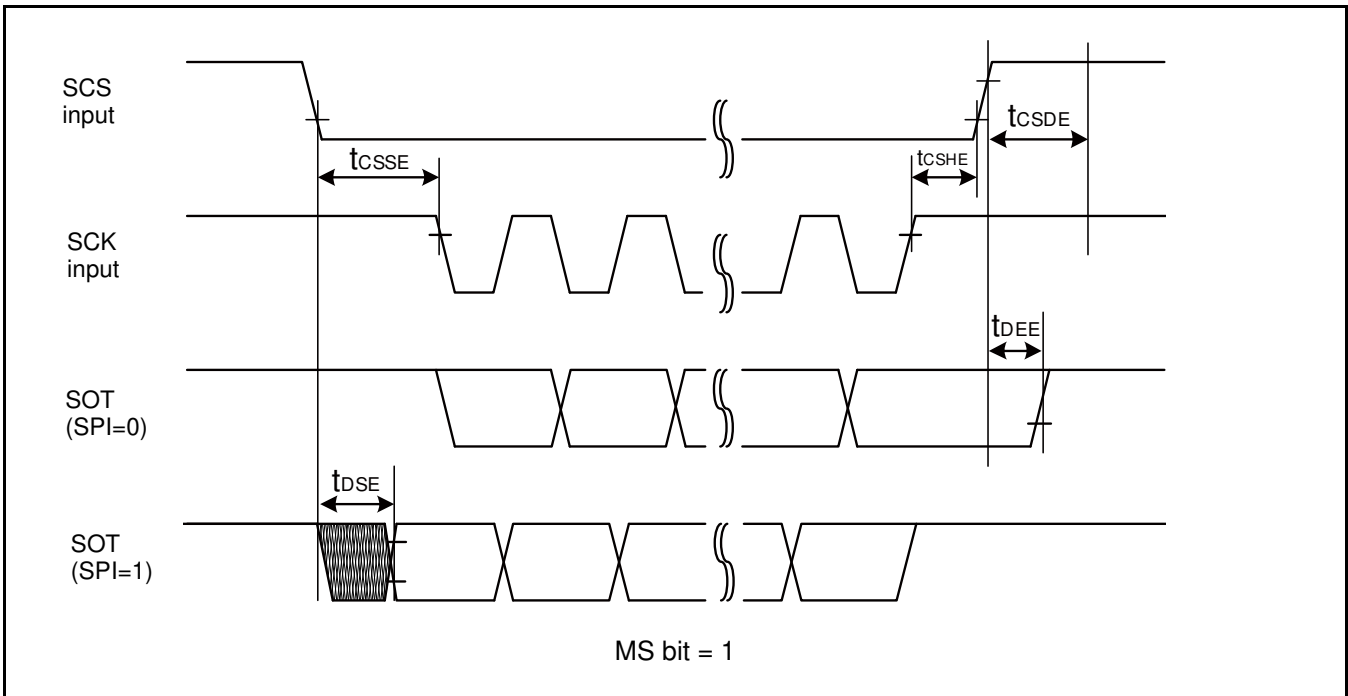
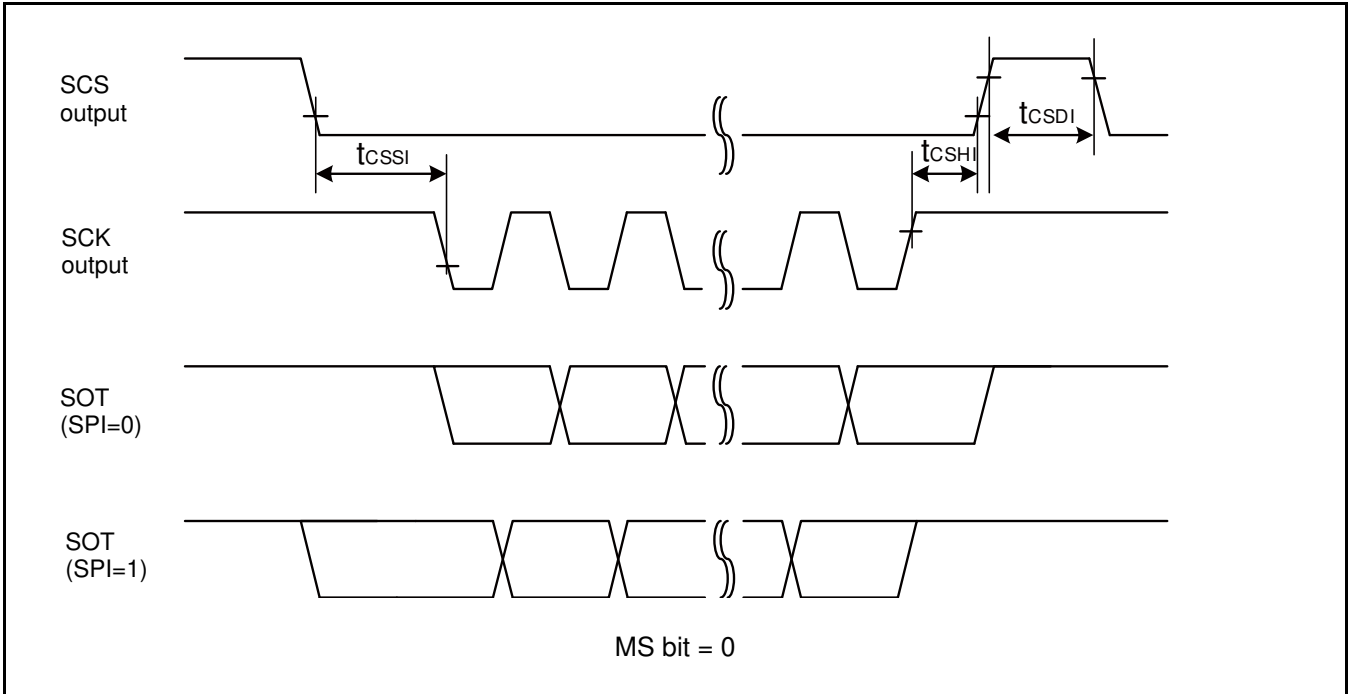
(\*1): CSSU bit value×serial chip select timing operating clock cycle [ns]

(\*2): CSHD bit value×serial chip select timing operating clock cycle [ns]

(\*3): CSDS bit value×serial chip select timing operating clock cycle [ns]

**Notes:**

- t<sub>CYCP</sub> indicates the APB bus clock cycle time.  
About the APB bus number which multi-function serial is connected to, see 8. Block Diagram in this data sheet.
- About CSSU, CSHD, CSDS, serial chip select timing operating clock, see FM4 Family Peripheral Manual Main part (002-04856).
- When the external load capacitance C<sub>L</sub> = 30 pF.



**When Using High-Speed Synchronous Serial Chip Select (SCINV = 1, CSLVL=1)**

(V<sub>CC</sub> = 2.7V to 3.6V, V<sub>SS</sub> = 0V)

| Parameter            | Symbol            | Conditions                     | Value                      |                            | Unit |
|----------------------|-------------------|--------------------------------|----------------------------|----------------------------|------|
|                      |                   |                                | Min                        | Max                        |      |
| SCS↓→SCK↑ setup time | t <sub>CSSI</sub> | Internal shift clock operation | (*1)-20                    | (*1)+0                     | ns   |
| SCK↓→SCS↑ hold time  | t <sub>CShI</sub> |                                | (*2)+0                     | (*2)+20                    | ns   |
| SCS deselect time    | t <sub>CSDI</sub> |                                | (*3)-20+5t <sub>CYCP</sub> | (*3)+20+5t <sub>CYCP</sub> | ns   |
| SCS↓→SCK↑ setup time | t <sub>CSSE</sub> | External shift clock operation | 3t <sub>CYCP</sub> +15     | -                          | ns   |
| SCK↓→SCS↑ hold time  | t <sub>CSHE</sub> |                                | 0                          | -                          | ns   |
| SCS deselect time    | t <sub>CSDE</sub> |                                | 3t <sub>CYCP</sub> +15     | -                          | ns   |
| SCS↓→SOT delay time  | t <sub>DSE</sub>  |                                | -                          | 25                         | ns   |
| SCS↑→SOT delay time  | t <sub>DEE</sub>  |                                | 0                          | -                          | ns   |

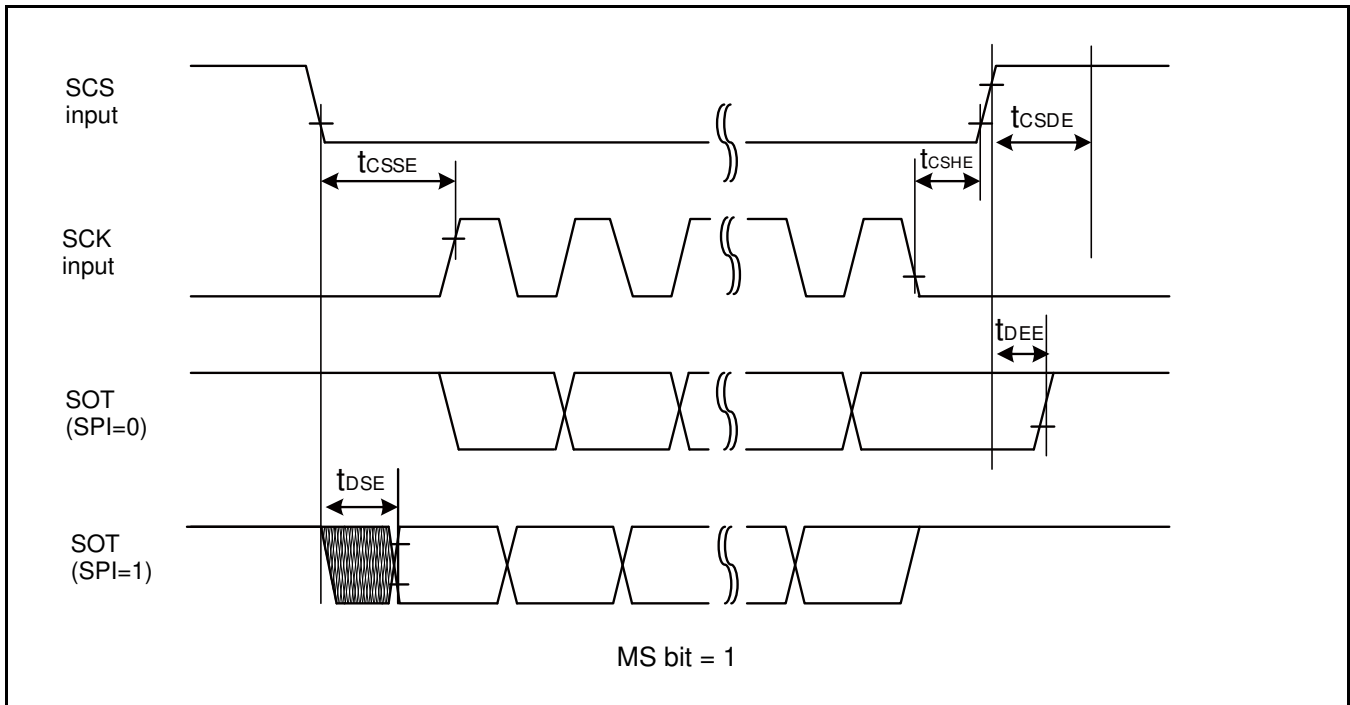
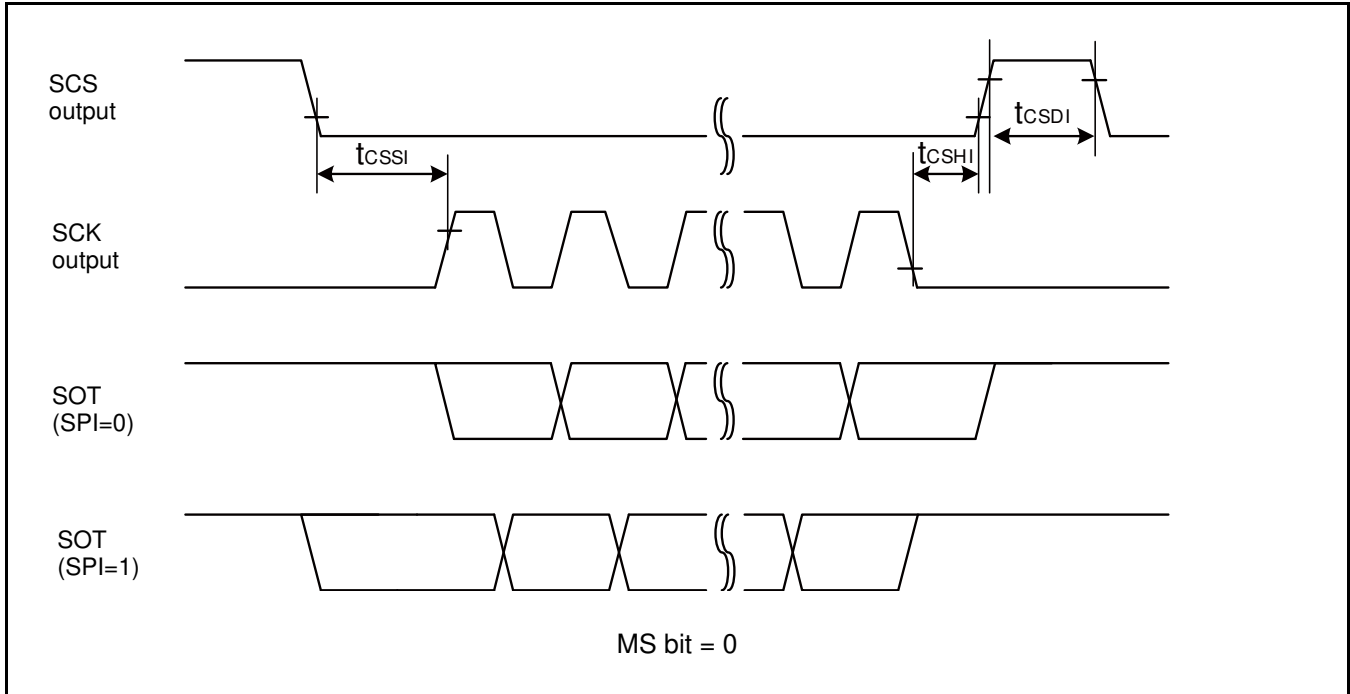
(\*1): CSSU bit value×serial chip select timing operating clock cycle [ns]

(\*2): CSHD bit value×serial chip select timing operating clock cycle [ns]

(\*3): CSDS bit value×serial chip select timing operating clock cycle [ns]

**Notes:**

- t<sub>CYCP</sub> indicates the APB bus clock cycle time.  
About the APB bus number which multi-function serial is connected to, see 8. Block Diagram in this data sheet.
- About CSSU, CSHD, CSDS, serial chip select timing operating clock, see FM4 Family Peripheral Manual Main part (002-04856).
- When the external load capacitance C<sub>L</sub> = 30 pF.



**When Using High-Speed Synchronous Serial Chip Select (SCINV = 0, CSLVL=0)**

(V<sub>CC</sub> = 2.7V to 3.6V, V<sub>SS</sub> = 0V)

| Parameter            | Symbol            | Conditions                     | Value                      |                            | Unit |
|----------------------|-------------------|--------------------------------|----------------------------|----------------------------|------|
|                      |                   |                                | Min                        | Max                        |      |
| SCS↑→SCK↓ setup time | t <sub>CSSE</sub> | Internal shift clock operation | (*1)-20                    | (*1)+0                     | ns   |
| SCK↑→SCS↓ hold time  | t <sub>CSHI</sub> |                                | (*2)+0                     | (*2)+20                    | ns   |
| SCS deselect time    | t <sub>CSDE</sub> |                                | (*3)-20+5t <sub>CYCP</sub> | (*3)+20+5t <sub>CYCP</sub> | ns   |
| SCS↑→SCK↓ setup time | t <sub>CSSE</sub> | External shift clock operation | 3t <sub>CYCP</sub> +15     | -                          | ns   |
| SCK↑→SCS↓ hold time  | t <sub>CSHE</sub> |                                | 0                          | -                          | ns   |
| SCS deselect time    | t <sub>CSDE</sub> |                                | 3t <sub>CYCP</sub> +15     | -                          | ns   |
| SCS↑→SOT delay time  | t <sub>DSE</sub>  |                                | -                          | 25                         | ns   |
| SCS↓→SOT delay time  | t <sub>DEE</sub>  |                                | 0                          | -                          | ns   |

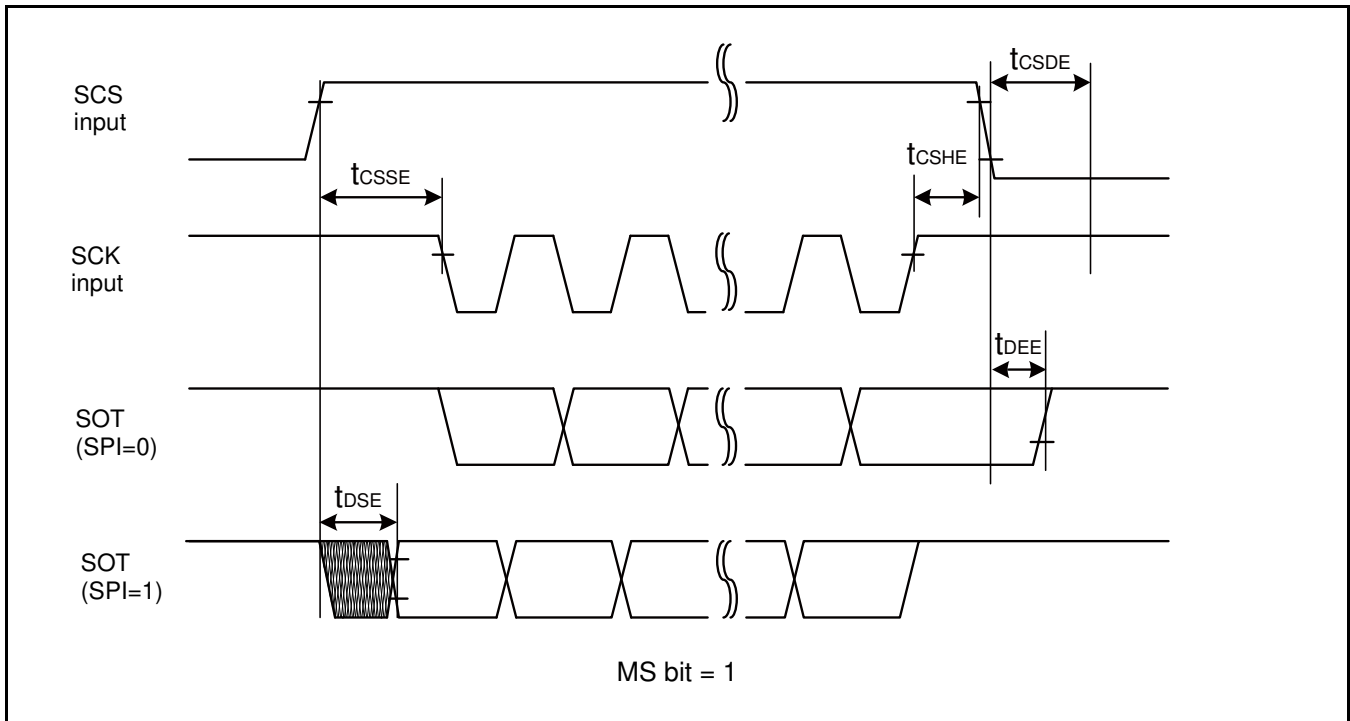
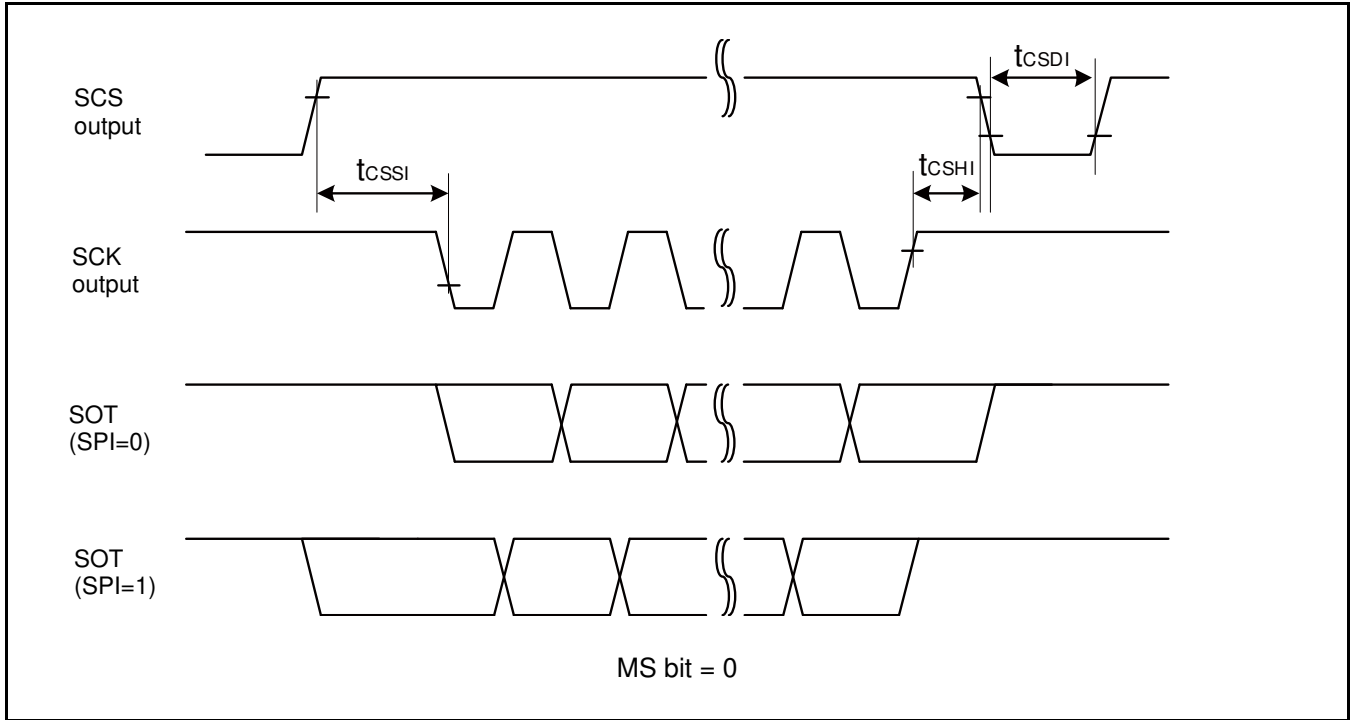
(\*1): CSSU bit value×serial chip select timing operating clock cycle [ns]

(\*2): CSHD bit value×serial chip select timing operating clock cycle [ns]

(\*3): CSDS bit value×serial chip select timing operating clock cycle [ns]

**Notes:**

- t<sub>CYCP</sub> indicates the APB bus clock cycle time.  
About the APB bus number which multi-function serial is connected to, see 8. Block Diagram in this data sheet.
- About CSSU, CSHD, CSDS, serial chip select timing operating clock, see FM4 Family Peripheral Manual Main part (002-04856).
- When the external load capacitance C<sub>L</sub> = 30 pF.



**When Using Synchronous Serial Chip Select (SCINV = 1, CSLVL=0)**

(V<sub>CC</sub> = 2.7V to 3.6V, V<sub>SS</sub> = 0V)

| Parameter            | Symbol            | Conditions                     | Value                      |                            | Unit |
|----------------------|-------------------|--------------------------------|----------------------------|----------------------------|------|
|                      |                   |                                | Min                        | Max                        |      |
| SCS↑→SCK↑ setup time | t <sub>CSSI</sub> | Internal shift clock operation | (*1)-20                    | (*1)+0                     | ns   |
| SCK↑→SCS↓ hold time  | t <sub>CSHI</sub> |                                | (*2)+0                     | (*2)+20                    | ns   |
| SCS deselect time    | t <sub>CSDI</sub> |                                | (*3)-20+5t <sub>CYCP</sub> | (*3)+20+5t <sub>CYCP</sub> | ns   |
| SCS↑→SCK↑ setup time | t <sub>CSSE</sub> | External shift clock operation | 3t <sub>CYCP</sub> +15     | -                          | ns   |
| SCK↓→SCS↓ hold time  | t <sub>CSHE</sub> |                                | 0                          | -                          | ns   |
| SCS deselect time    | t <sub>CSDE</sub> |                                | 3t <sub>CYCP</sub> +15     | -                          | ns   |
| SCS↑→SOT delay time  | t <sub>DSE</sub>  |                                | -                          | 40                         | ns   |
| SCS↓→SOT delay time  | t <sub>DEE</sub>  |                                | 0                          | -                          | ns   |

(\*1): CSSU bit value×serial chip select timing operating clock cycle [ns]

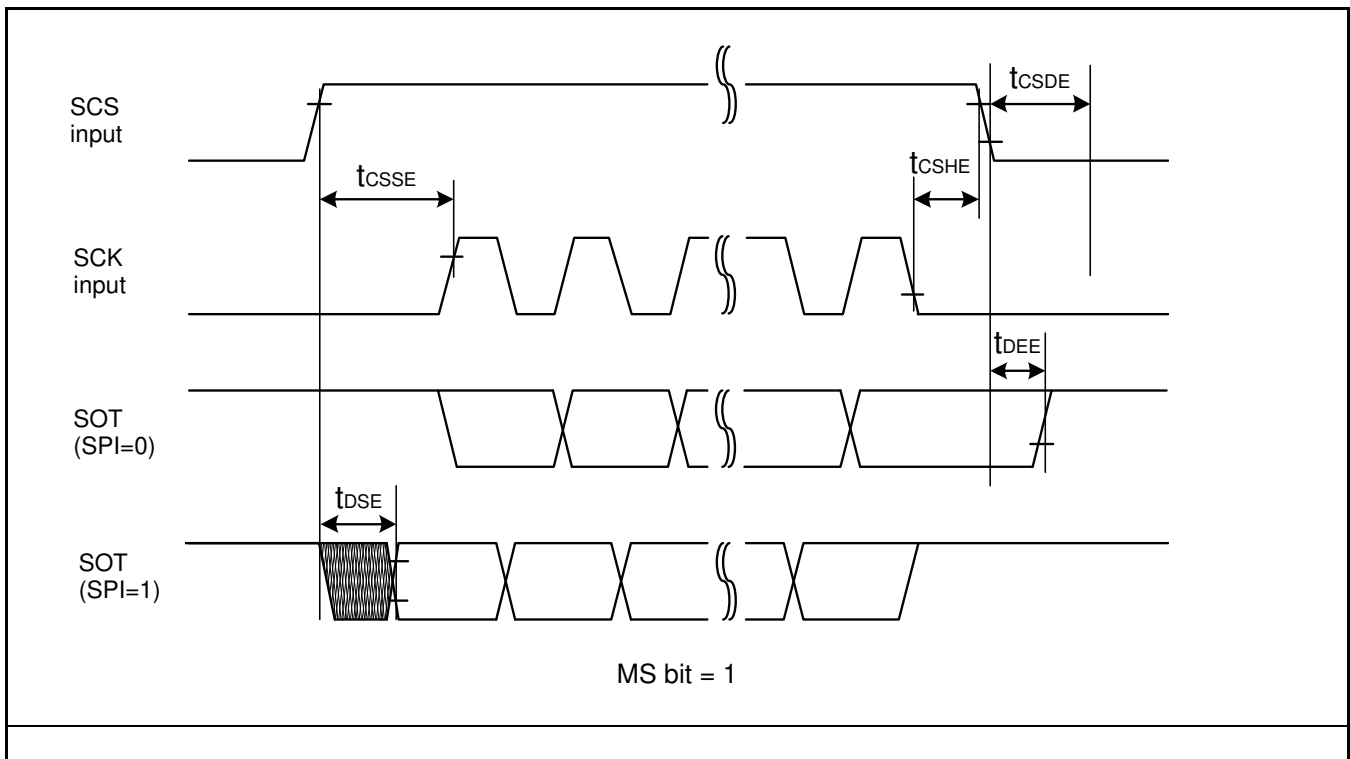
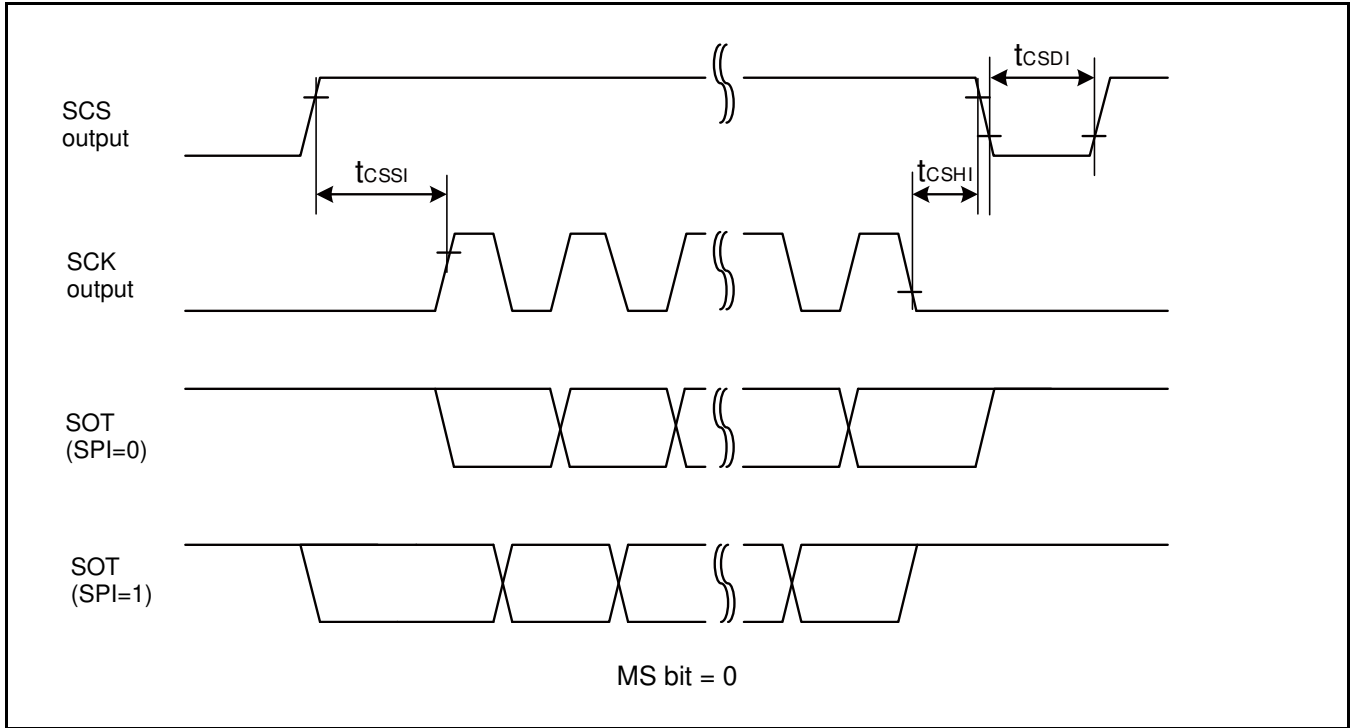
(\*2): CSHD bit value×serial chip select timing operating clock cycle [ns]

(\*3): CSDS bit value×serial chip select timing operating clock cycle [ns]

**Notes:**

- t<sub>CYCP</sub> indicates the APB bus clock cycle time.  
About the APB bus number which multi-function serial is connected to, see 8. Block Diagram in this data sheet.
- About CSSU, CSHD, CSDS, serial chip select timing operating clock, see FM4 Family Peripheral Manual Main part (002-04856).
- When the external load capacitance C<sub>L</sub> = 30 pF.

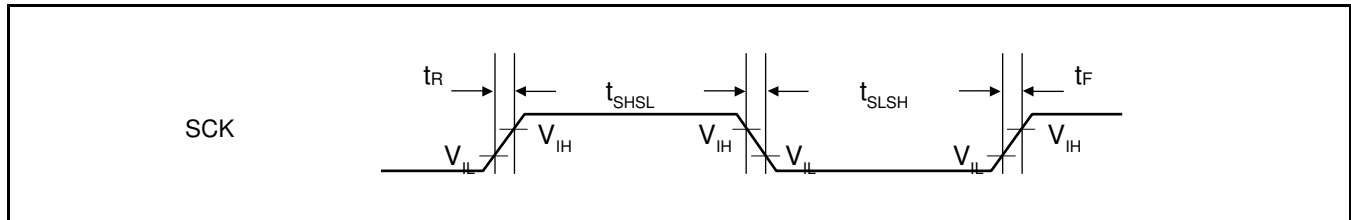




**External Clock (EXT = 1): when in Asynchronous Mode Only**

( $V_{CC} = 2.7V$  to  $3.6V$ ,  $V_{SS} = 0V$ )

| Parameter                  | Symbol     | Condition            | Value           |     | Unit | Remarks |
|----------------------------|------------|----------------------|-----------------|-----|------|---------|
|                            |            |                      | Min             | Max |      |         |
| Serial clock L pulse width | $t_{SLSH}$ | $C_L = 30\text{ pF}$ | $t_{CYCP} + 10$ | -   | ns   |         |
| Serial clock H pulse width | $t_{SHSL}$ |                      | $t_{CYCP} + 10$ | -   | ns   |         |
| SCK falling time           | $t_F$      |                      | -               | 5   | ns   |         |
| SCK rising time            | $t_R$      |                      | -               | 5   | ns   |         |



**12.4.13 External Input Timing**

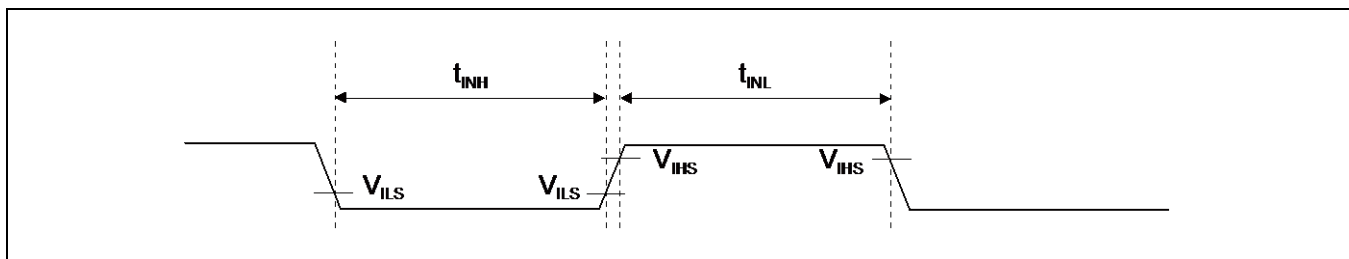
(V<sub>CC</sub> = 2.7V to 3.6V, V<sub>SS</sub> = 0V)

| Parameter         | Symbol                              | Pin Name    | Conditions | Value                        |                      | Unit | Remarks                     |
|-------------------|-------------------------------------|-------------|------------|------------------------------|----------------------|------|-----------------------------|
|                   |                                     |             |            | Min                          | Max                  |      |                             |
| Input pulse width | t <sub>INH</sub> , t <sub>INL</sub> | ADTG        | -          | 2t <sub>CYCP</sub> *1        | -                    | ns   | A/D converter trigger input |
|                   |                                     | FRCK0       |            |                              |                      |      | Free-run timer input clock  |
|                   |                                     | IC0x        | -          | 2t <sub>CYCP</sub> *1        | -                    | ns   | Input capture               |
|                   |                                     | DTTIOX      |            |                              |                      |      | Waveform generator          |
|                   |                                     | INTxx, NMIX | -          | 2t <sub>CYCP</sub> + 100(*1) | -                    | ns   | External interrupt, NMI     |
|                   |                                     |             |            | 500(*2)                      |                      |      |                             |
| WKUPx             | -                                   | 500(*3)     | -          | ns                           | Deep standby wake up |      |                             |

(\*1): t<sub>CYCP</sub> indicates the APB bus clock cycle time except stop when in Stop mode, in timer mode.  
About the APB bus number which the Multi-function Timer and External interrupt are connected to, see 8. Block Diagram in this data sheet.

(\*2): When in STOP mode, in timer mode.

(\*3): When in deep standby RTC mode, in deep standby Stop mode.

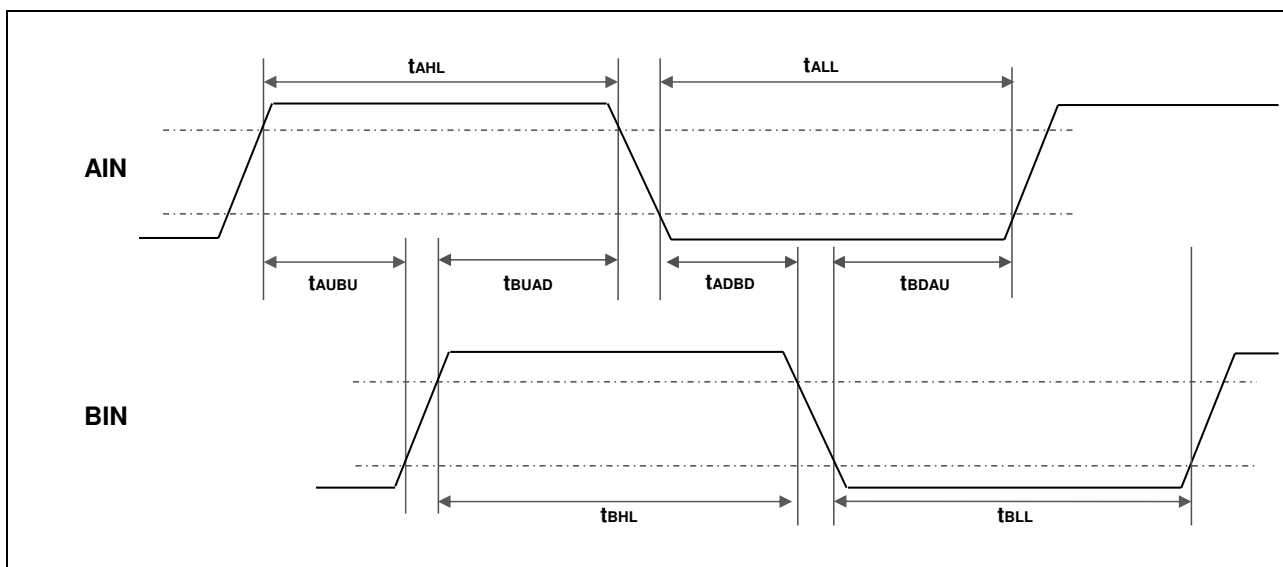


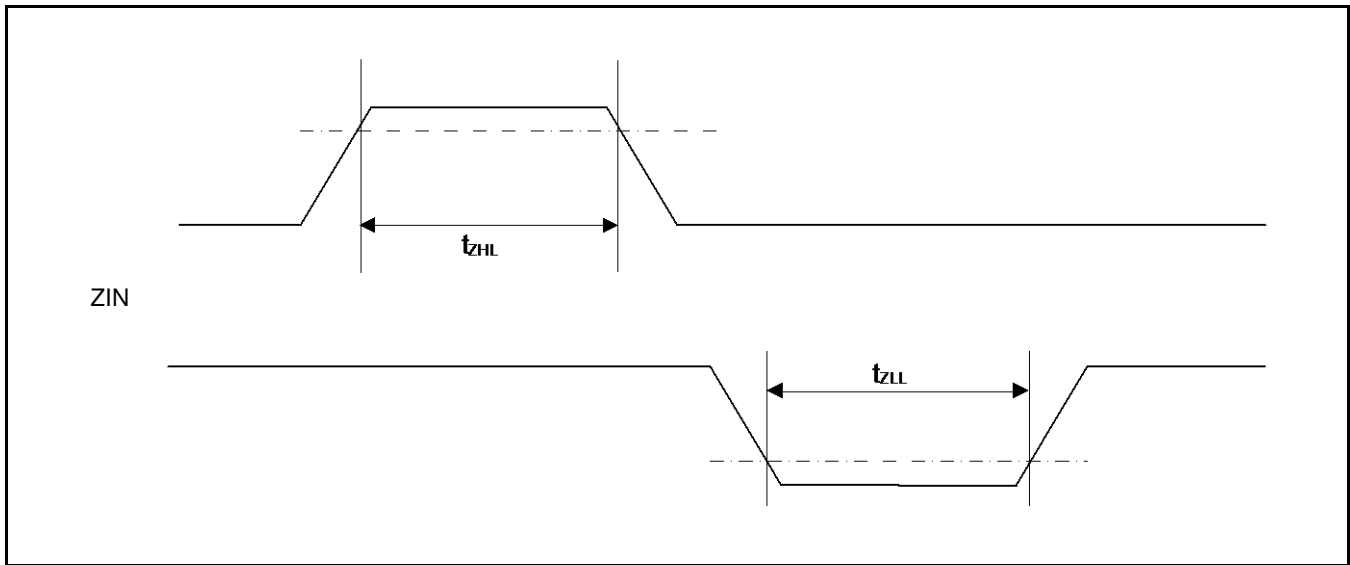
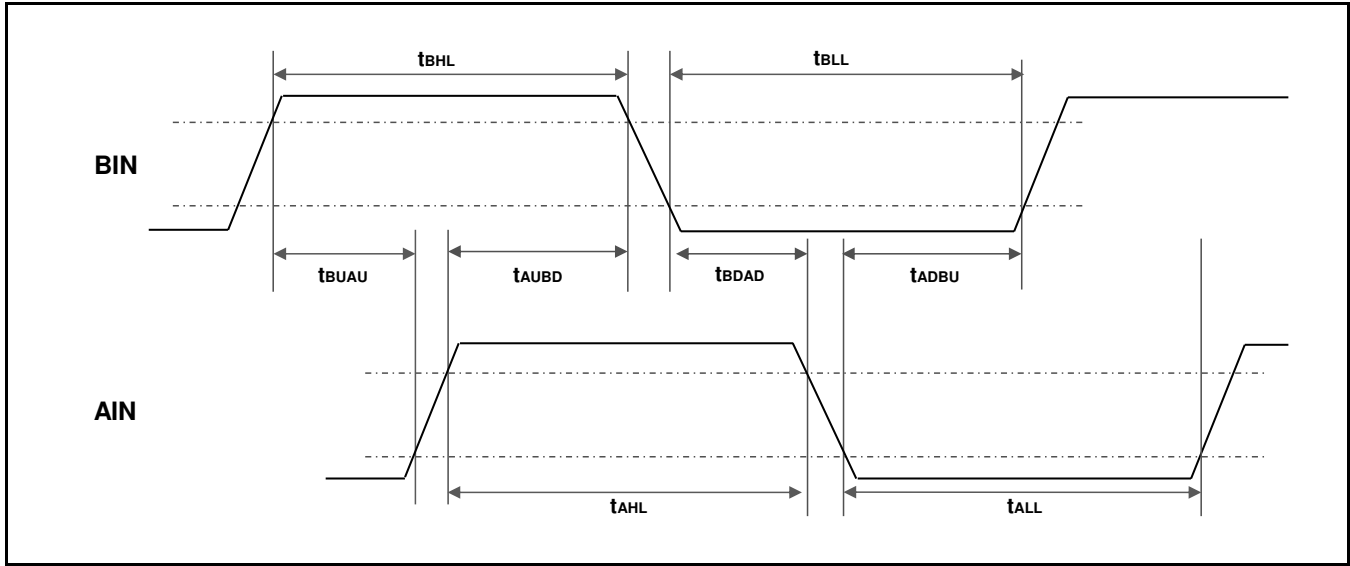
**12.4.14 Quadrature Position/Revolution Counter Timing**

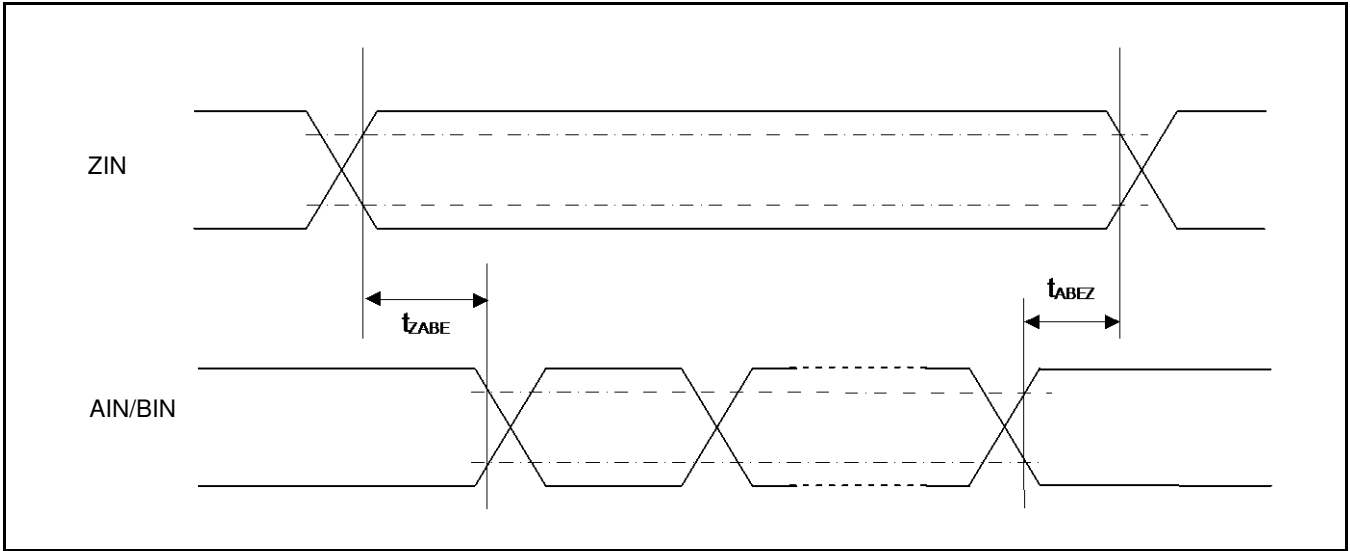
(V<sub>CC</sub> = 2.7V to 3.6V, V<sub>SS</sub> = 0V)

| Parameter   | Symbol            | Conditions           | Value                |     | Unit |
|---|-------------------|----------------------|----------------------|-----|------|
|   |                   |                      | Min                  | Max |      |
| AIN pin H width   | t <sub>AHL</sub>  | -                    | 2t <sub>CYCP</sub> * | -   | ns   |
| AIN pin L width   | t <sub>ALL</sub>  | -                    |                      |     |      |
| BIN pin H width   | t <sub>BHL</sub>  | -                    |                      |     |      |
| BIN pin L width   | t <sub>BLL</sub>  | -                    |                      |     |      |
| BIN rising time from AIN pin H level                      | t <sub>AUBU</sub> | PC_Mode2 or PC_Mode3 |                      |     |      |
| AIN falling time from BIN pin H level                     | t <sub>BUAD</sub> | PC_Mode2 or PC_Mode3 |                      |     |      |
| BIN falling time from AIN pin L level                     | t <sub>ADBD</sub> | PC_Mode2 or PC_Mode3 |                      |     |      |
| AIN rising time from BIN pin L level                      | t <sub>BDAU</sub> | PC_Mode2 or PC_Mode3 |                      |     |      |
| AIN rising time from BIN pin H level                      | t <sub>BUAU</sub> | PC_Mode2 or PC_Mode3 |                      |     |      |
| BIN falling time from AIN pin H level                     | t <sub>AUBD</sub> | PC_Mode2 or PC_Mode3 |                      |     |      |
| AIN falling time from BIN pin L level                     | t <sub>BDAD</sub> | PC_Mode2 or PC_Mode3 |                      |     |      |
| BIN rising time from AIN pin L level                      | t <sub>ADBU</sub> | PC_Mode2 or PC_Mode3 |                      |     |      |
| ZIN pin H width   | t <sub>ZHL</sub>  | QCR:CGSC=0           |                      |     |      |
| ZIN pin L width   | t <sub>ZLL</sub>  | QCR:CGSC=0           |                      |     |      |
| AIN/BIN rising and falling time from determined ZIN level | t <sub>ZABE</sub> | QCR:CGSC=1           |                      |     |      |
| Determined ZIN level from AIN/BIN rising and falling time | t <sub>ABEZ</sub> | QCR:CGSC=1           |                      |     |      |

\*: t<sub>CYCP</sub> indicates the APB bus clock cycle time except when in Stop mode, in timer mode. About the APB bus number which Quadrature Position/Revolution Counter is connected to, see 8. Block Diagram in this data sheet.







**12.4.15 I<sup>2</sup>C Timing**

**Standard Mode, Fast Mode**

(V<sub>CC</sub> = 2.7V to 3.6, V<sub>SS</sub> = 0V)

| Parameter   | Symbol             | Conditions  | Standard Mode                         |                                   | Fast Mode                            |                                      | Unit | Remarks |
|---|--------------------|---|---------------------------------------|-----------------------------------|--------------------------------------|--------------------------------------|------|---------|
|   |                    |   | Min                                   | Max                               | Min                                  | Max                                  |      |         |
| SCL clock frequency   | f <sub>SCL</sub>   | C <sub>L</sub> = 30 pF,<br>R = (V <sub>p</sub> /I <sub>OL</sub> ) <sup>*1</sup> | 0                                     | 100                               | 0                                    | 400                                  | kHz  |         |
| (Repeated) START condition hold time<br>SDA ↓ → SCL ↓       | t <sub>HDSTA</sub> |   | 4.0                                   | -                                 | 0.6                                  | -                                    | μs   |         |
| SCL clock L width   | t <sub>LOW</sub>   |   | 4.7                                   | -                                 | 1.3                                  | -                                    | μs   |         |
| SCL clock H width   | t <sub>HIGH</sub>  |   | 4.0                                   | -                                 | 0.6                                  | -                                    | μs   |         |
| (Repeated) Start condition setup time<br>SCL ↑ → SDA ↓      | t <sub>SUSTA</sub> |   | 4.7                                   | -                                 | 0.6                                  | -                                    | μs   |         |
| Data hold time<br>SCL ↓ → SDA ↓ ↑                           | t <sub>HDDAT</sub> |   | 0                                     | 3.45 <sup>*2</sup>                | 0                                    | 0.9 <sup>*3</sup>                    | μs   |         |
| Data setup time<br>SDA ↓ ↑ → SCL ↑                          | t <sub>SUDAT</sub> |   | 250                                   | -                                 | 100                                  | -                                    | ns   |         |
| STOP condition setup time<br>SCL ↑ → SDA ↑                  | t <sub>SUSTO</sub> |   | 4.0                                   | -                                 | 0.6                                  | -                                    | μs   |         |
| Bus free time between<br>Stop condition and Start condition | t <sub>BUF</sub>   |   | 4.7                                   | -                                 | 1.3                                  | -                                    | μs   |         |
| Noise filter  | t <sub>SP</sub>    |   | 2 MHz ≤<br>t <sub>CYCP</sub> < 40 MHz | 2 t <sub>CYCP</sub> <sup>*4</sup> | -                                    | 2<br>t <sub>CYCP</sub> <sup>*4</sup> | -    | ns      |
|   |                    | 40 MHz ≤<br>t <sub>CYCP</sub> < 60 MHz  | 4 t <sub>CYCP</sub> <sup>*4</sup>     | -                                 | 4<br>t <sub>CYCP</sub> <sup>*4</sup> | -                                    | ns   |         |
|   |                    | 60 MHz ≤<br>t <sub>CYCP</sub> < 80 MHz  | 6 t <sub>CYCP</sub> <sup>*4</sup>     | -                                 | 6<br>t <sub>CYCP</sub> <sup>*4</sup> | -                                    | ns   |         |
|   |                    | 80 MHz ≤<br>t <sub>CYCP</sub> ≤ 100<br>MHz                                      | 8 t <sub>CYCP</sub> <sup>*4</sup>     | -                                 | 8<br>t <sub>CYCP</sub> <sup>*4</sup> | -                                    | ns   |         |

\*1: R and C<sub>L</sub> represent the pull-up resistance and load capacitance of the SCL and SDA lines, respectively. V<sub>p</sub> indicates the power supply voltage of the pull-up resistance and I<sub>OL</sub> indicates V<sub>OL</sub> guaranteed current.

\*2: The maximum t<sub>HDDAT</sub> must satisfy that it does not extend at least L period (t<sub>LOW</sub>) of device's SCL signal.

\*3: A Fast mode I<sup>2</sup>C bus device can be used on a Standard mode I<sup>2</sup>C bus system as long as the device satisfies the requirement of t<sub>SUDAT</sub> ≥ 250 ns.

\*4: t<sub>CYCP</sub> is the APB bus clock cycle time.

About the APB bus number that I<sup>2</sup>C is connected to, see 8. Block Diagram in this data sheet.

When the standard mode is used, please set to 2 MHz or more peripheral bus clock.

When fast mode is used, please set to 8MHz or more peripheral bus clock.

\*5: The noise filter time can be changed by register settings.

Change the number of the noise filter steps according to APB bus clock frequency.

**Fast Mode Plus (Fm+)**

(V<sub>CC</sub> = 2.7V to 3.6V, V<sub>SS</sub> = 0V)

| Parameter   | Symbol             | Conditions  | Fast Mode Plus (Fm+)*6                 |                        | Unit | Remarks |
|---|--------------------|---|--|------------------------|------|---------|
|   |                    |   | Min                                    | Max                    |      |         |
| SCL clock frequency   | f <sub>SCL</sub>   | C <sub>L</sub> = 30 pF,<br>R = (V <sub>p</sub> /I <sub>OL</sub> )*1 | 0                                      | 1000                   | kHz  |         |
| (Repeated) Start condition hold time<br>SDA ↓ → SCL ↓       | t <sub>HDSTA</sub> |   | 0.26                                   | -                      | μs   |         |
| SCL clock L width   | t <sub>LOW</sub>   |   | 0.5                                    | -                      | μs   |         |
| SCL clock H width   | t <sub>HIGH</sub>  |   | 0.26                                   | -                      | μs   |         |
| (Repeated) Start condition setup time<br>SCL ↑ → SDA ↓      | t <sub>SUSTA</sub> |   | 0.26                                   | -                      | μs   |         |
| Data hold time<br>SCL ↓ → SDA ↓ ↑                           | t <sub>HDDAT</sub> |   | 0                                      | 0.45*2, *3             | μs   |         |
| Data setup time<br>SDA ↓ ↑ → SCL ↑                          | t <sub>SUDAT</sub> |   | 50                                     | -                      | ns   |         |
| Stop condition setup time<br>SCL ↑ → SDA ↑                  | t <sub>SUSTO</sub> |   | 0.26                                   | -                      | μs   |         |
| Bus free time between<br>Stop condition and Start condition | t <sub>BUF</sub>   |   | 0.5                                    | -                      | μs   |         |
| Noise filter  | t <sub>SP</sub>    |   | 60 MHz ≤<br>t <sub>CYCP</sub> < 80 MHz | 6 t <sub>CYCP</sub> *4 | -    | ns      |
|   |                    | 80 MHz ≤<br>t <sub>CYCP</sub> ≤ 100 MHz                             | 8 t <sub>CYCP</sub> *4                 | -                      | ns   |         |

\*1: R and C<sub>L</sub> represent the pull-up resistance and load capacitance of the SCL and SDA lines, respectively. V<sub>p</sub> indicates the power supply voltage of the pull-up resistance and I<sub>OL</sub> indicates V<sub>OL</sub> guaranteed current.

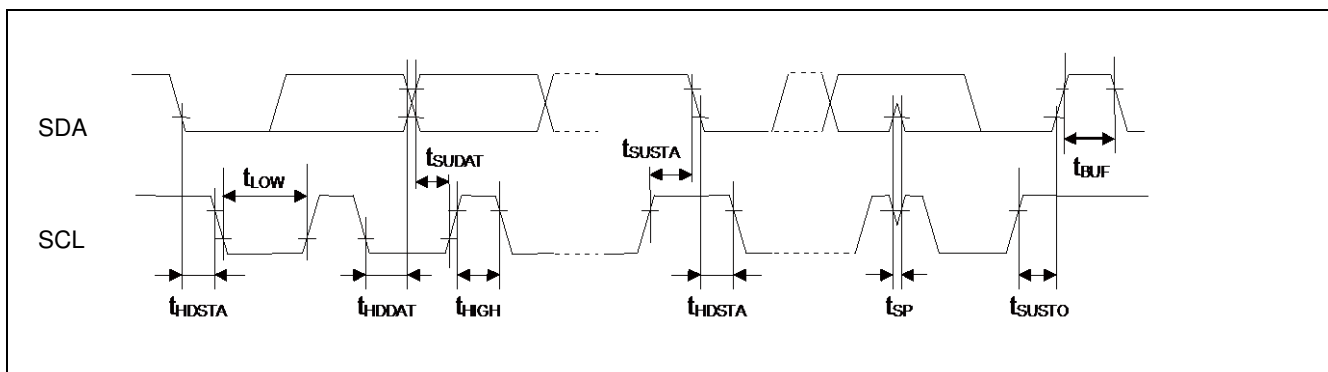
\*2: The maximum t<sub>HDDAT</sub> must satisfy that it does not extend at least L period (t<sub>LOW</sub>) of device's SCL signal.

\*3: A Fast mode I<sup>2</sup>C bus device can be used on a Standard mode I<sup>2</sup>C bus system as long as the device satisfies the requirement of "t<sub>SUDAT</sub> ≥ 250 ns".

\*4: t<sub>CYCP</sub> is the APB bus clock cycle time.  
About the APB bus number that I<sup>2</sup>C is connected to, see 8. Block Diagram in this data sheet.  
To use fast mode plus (Fm+), set the peripheral bus clock at 64 MHz or more.

\*5: The noise filter time can be changed by register settings.  
Change the number of the noise filter steps according to APB bus clock frequency.

\*6: When using fast mode plus (Fm+), set the I/O pin to the mode corresponding to I<sup>2</sup>C Fm+ in the EPFR register.  
See Chapter 12 : I/O Port in "FM4 Family Peripheral Manual Main part (002-04856)" for the details.



**12.4.16 ETM Timing**

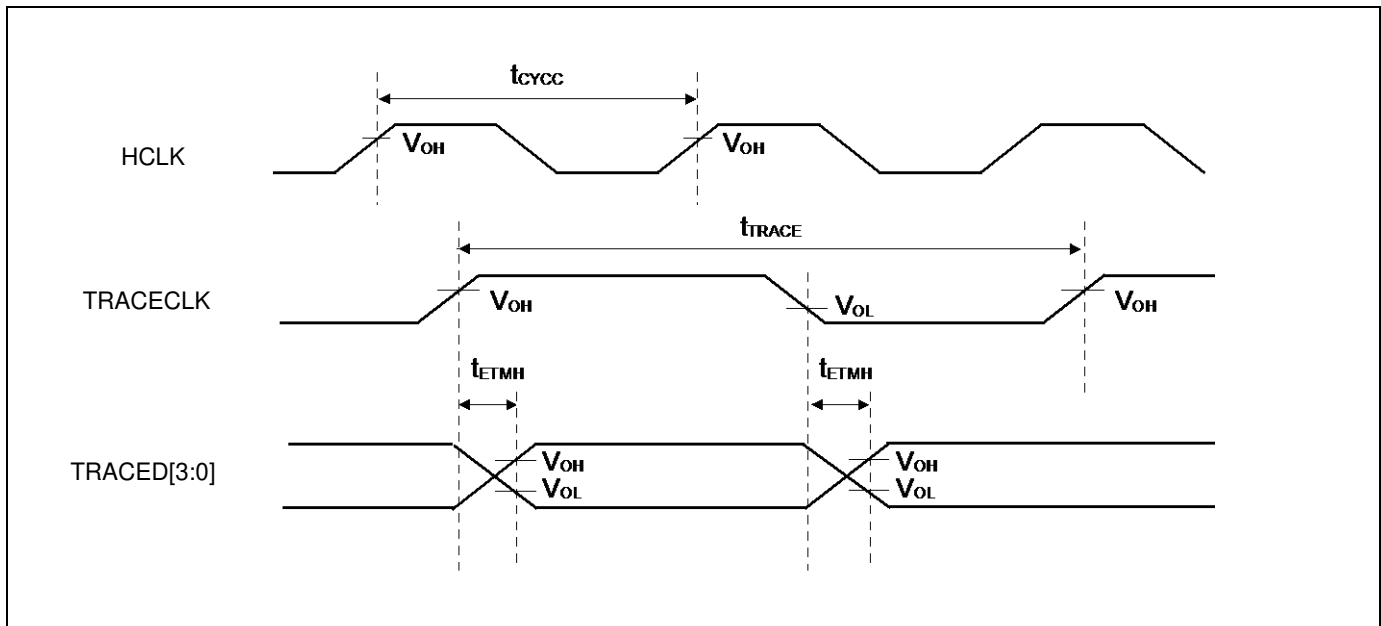
(V<sub>CC</sub> = 2.7V to 3.6V, V<sub>SS</sub> = 0V)



| Parameter            | Symbol        | Pin Name                 | Conditions | Value |     | Unit | Remarks |
|----------------------|---------------|--------------------------|------------|-------|-----|------|---------|
|                      |               |                          |            | Min   | Max |      |         |
| Data hold            | $t_{ETMH}$    | TRACECLK,<br>TRACED[3:0] | -          | 2     | 15  | ns   |         |
| TRACECLK frequency   | $1/t_{TRACE}$ | TRACECLK                 | -          |       | 32  | MHz  |         |
| TRACECLK clock cycle | $t_{TRACE}$   |                          | -          | 31.25 | -   | ns   |         |

**Note:**

- When the external load capacitance  $C_L = 30$  pF.



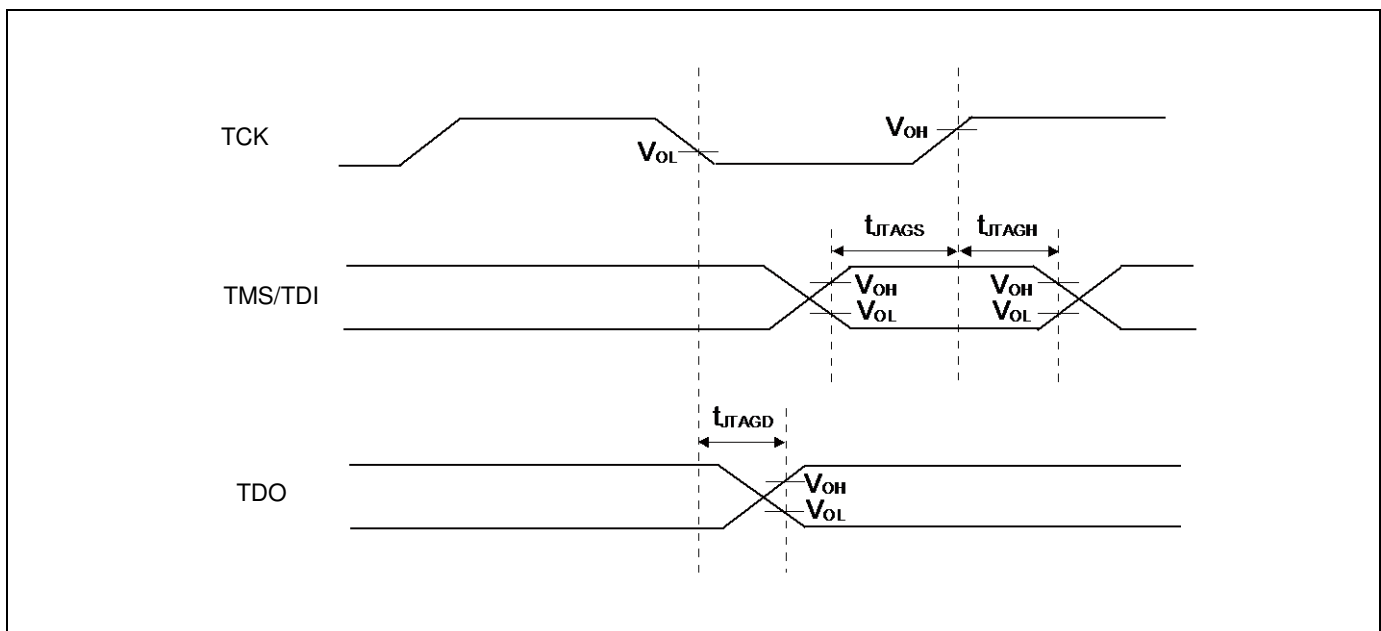
**12.4.17 JTAG Timing**

( $V_{CC} = 2.7V$  to  $3.6V$ ,  $V_{SS} = 0V$ )

| Parameter           | Symbol      | Pin Name         | Conditions | Value |     | Unit | Remarks |
|---------------------|-------------|------------------|------------|-------|-----|------|---------|
|                     |             |                  |            | Min   | Max |      |         |
| TMS, TDI setup time | $t_{JTAGS}$ | TCK,<br>TMS, TDI | -          | 15    | -   | ns   |         |
| TMS, TDI hold time  | $t_{JTAGH}$ | TCK,<br>TMS, TDI | -          | 15    | -   | ns   |         |
| TDO delay time      | $t_{JTAGD}$ | TCK,<br>TDO      | -          | -     | 45  | ns   |         |

**Note:**

- When the external load capacitance  $C_L = 30$  pF.



**12.4.18 I<sup>2</sup>S Timing**

**Master Mode Timing**

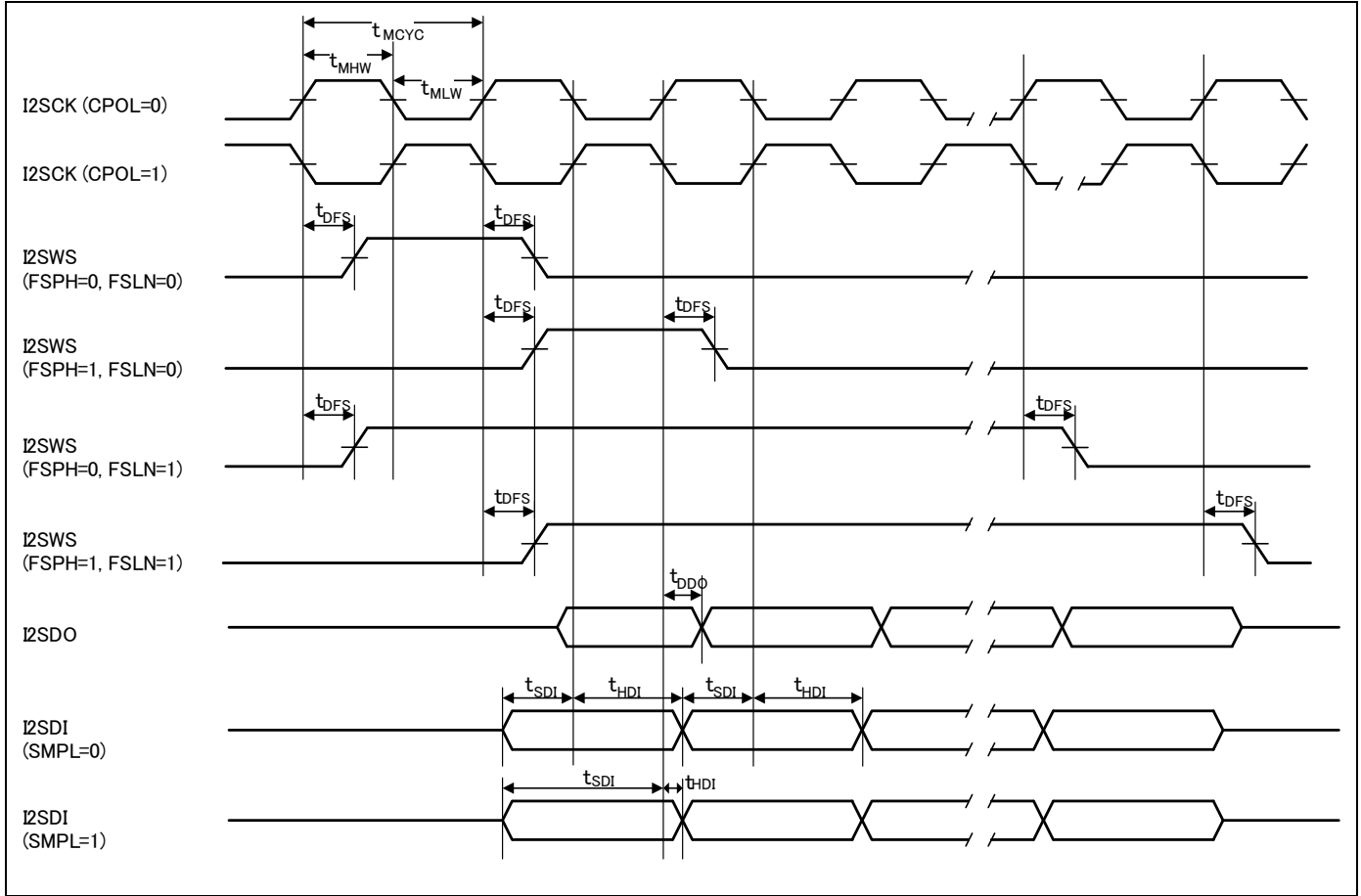
(V<sub>CC</sub> = 2.7V to 3.6V, V<sub>SS</sub> = 0V)

| Parameter   | Symbol             | Pin Name                               | Conditions | Value |        | Unit | Remarks |
|---|--------------------|--|------------|-------|--------|------|---------|
|   |                    |  |            | Min   | Max    |      |         |
| Output frequency                                  | t <sub>M CYC</sub> | I <sup>2</sup> SCK                     | -          | -     | 12.288 | MHz  |         |
| Output clock pulse width                          | t <sub>M HW</sub>  | I <sup>2</sup> SCK                     | -          | 45    | 55     | %    |         |
|   | t <sub>M LW</sub>  |  |            | 45    | 55     | %    |         |
| I <sup>2</sup> SCK→I <sup>2</sup> SWS delay time  | t <sub>D FS</sub>  | I <sup>2</sup> SCK, I <sup>2</sup> SWS | -          | 0     | 24.0   | ns   |         |
| I <sup>2</sup> SCK→I <sup>2</sup> SDO delay time* | t <sub>D DO</sub>  | I <sup>2</sup> SCK, I <sup>2</sup> SDO | -          | 0     | 24.0   | ns   |         |
| I <sup>2</sup> SDI→I <sup>2</sup> SCK setup time  | t <sub>H SDI</sub> | I <sup>2</sup> SCK, I <sup>2</sup> SDI | -          | 25.0  | -      | ns   |         |
| I <sup>2</sup> SDI→I <sup>2</sup> SCK hold time   | t <sub>H DI</sub>  |  | -          | 0     | -      | ns   |         |
| Input signal rising time                          | t <sub>R I</sub>   | I <sup>2</sup> SDI                     | -          | -     | 5      | ns   |         |
| Input signal falling time                         | t <sub>F I</sub>   |  | -          | -     | 5      | ns   |         |

\*: Except for the first bit of transmission frame

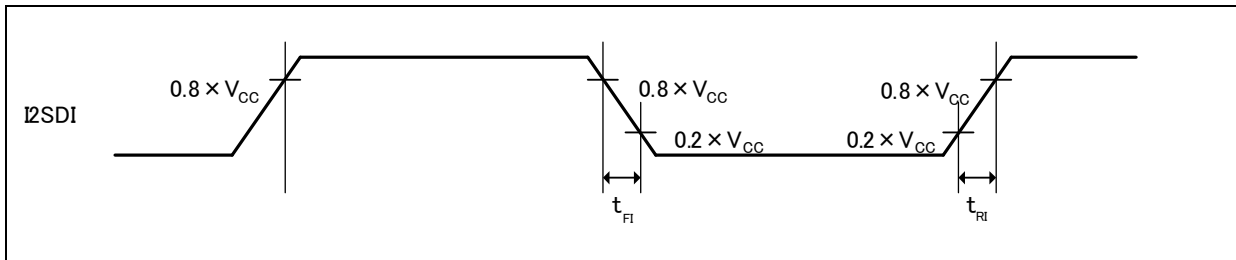
**Notes:**

- When the external load capacitance C<sub>L</sub> = 20 pF
- When I<sup>2</sup>SWS=48 kHz, I<sup>2</sup>MCLK=256 × I<sup>2</sup>SWS  
Frame synchronization signal (I<sup>2</sup>SWS) is settable to 48 kHz, 32 kHz, 16 kHz.  
See Chapter 7-2: I<sup>2</sup>S(Inter-IC Sound bus)Interface in FM4 Family Peripheral Manual Communication part (002-04862) for the details.



**Note:**

- See Chapter 7-2: I<sup>2</sup>S (Inter-IC Sound bus) Interface in FM4 Family Peripheral Manual Communication part (002-04862) for the details of CPOL, FSPH, FSLIN, SMPL.



**Slave Mode Timing**

(V<sub>CC</sub> = 2.7V to 3.6V, V<sub>SS</sub> = 0V)

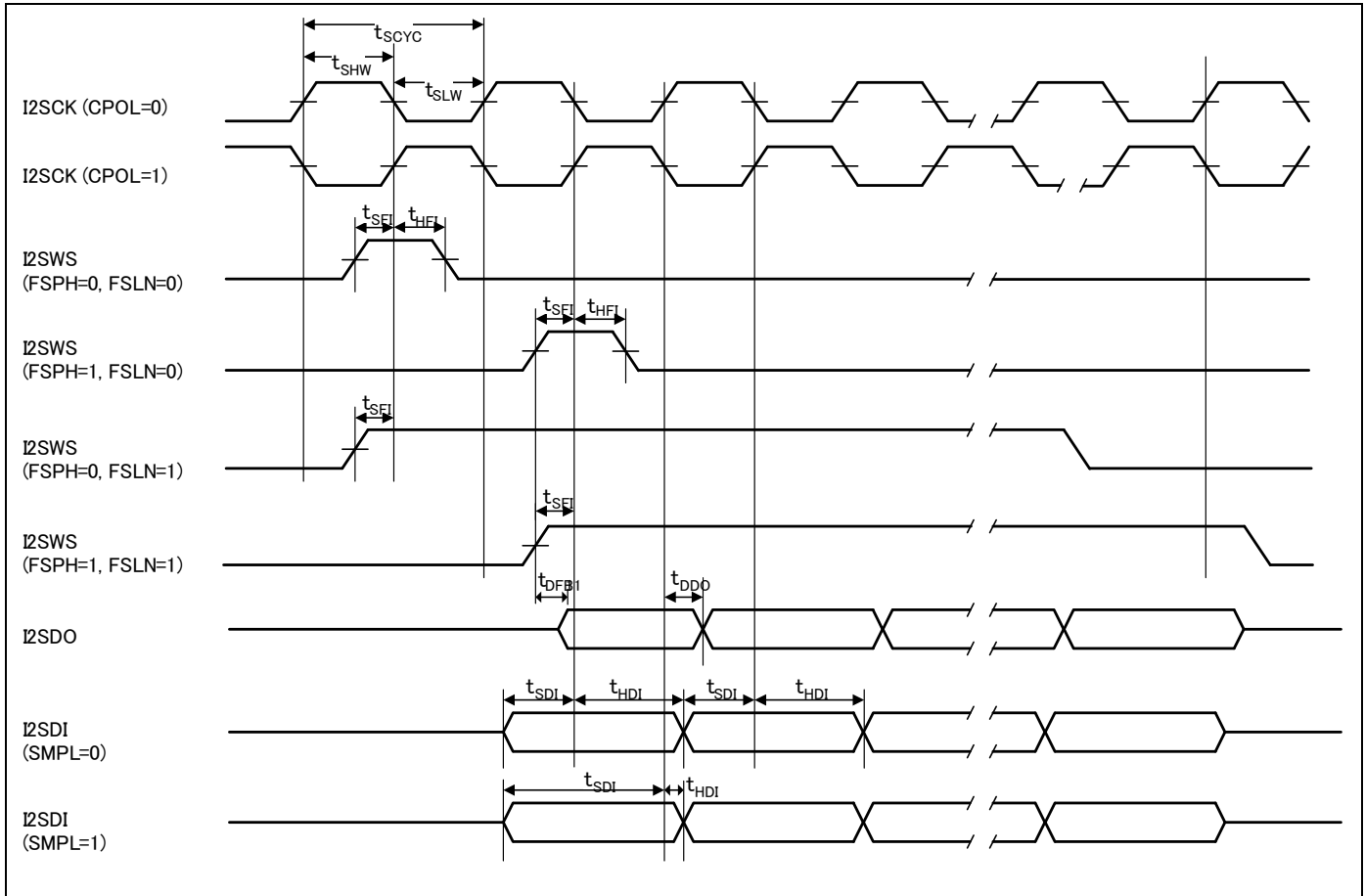
| Parameter                    | Symbol            | Pin Name               | Conditions | Value |        | Unit | Remarks |
|------------------------------|-------------------|------------------------|------------|-------|--------|------|---------|
|                              |                   |                        |            | Min   | Max    |      |         |
| Input frequency              | t <sub>SCYC</sub> | I2SCK                  | -          | -     | 12.288 | MHz  |         |
| Input clock pulse width      | t <sub>SHW</sub>  | I2SCK                  | -          | 45    | 55     | %    |         |
|                              | t <sub>SLW</sub>  |                        |            | 45    | 55     | %    |         |
| I2SWS→I2SCK<br>Setup time    | t <sub>SFI</sub>  | I2SCK,<br>I2SWS        | -          | 8     | -      | ns   |         |
| I2SWS→I2SCK<br>Hold time     | t <sub>HFI</sub>  | I2SCK,<br>I2SWS        | -          | 0     | -      | ns   |         |
| I2SCK↑→I2SDO<br>Delay time*1 | t <sub>DDO</sub>  | I2SCK, I2SDO           | -          | 0     | 32     | ns   |         |
| I2SCK↑→I2SDO<br>Delay Time*2 | t <sub>DFB1</sub> |                        | -          | 0     | 32     | ns   |         |
| I2SDI→I2SCK↓<br>Setup time   | t <sub>SDI</sub>  | I2SCK, I2SDI           | -          | 8     | -      | ns   |         |
| I2SDI→I2SCK↓<br>Hold time    | t <sub>HDI</sub>  |                        | -          | 0     | -      | ns   |         |
| Input signal rising time     | t <sub>RI</sub>   | I2SCK,<br>I2SWS, I2SDI | -          | -     | 5      | ns   |         |
| Input signal falling time    | t <sub>FI</sub>   |                        | -          | -     | 5      | ns   |         |

\*1: Except for the first bit of transmission frame

\*2: When FSPH register 1.

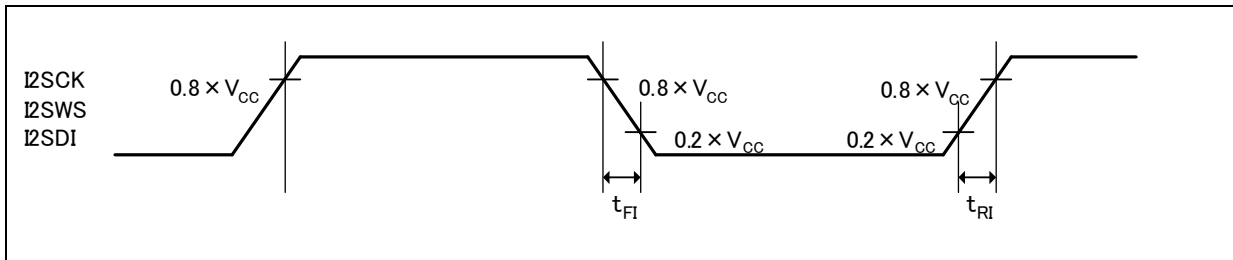
**Notes:**

- When the external load capacitance  $C_L = 20 \text{ pF}$
- When  $I2SWS=48 \text{ kHz}$ ,  $I2MCLK=256 \times I2SWS$   
Frame synchronization signal (I2SWS) is settable to 48 kHz, 32 kHz, 16 kHz.  
See Chapter 7-2: I<sup>2</sup>S(Inter-IC Sound bus)Interface in FM4 Family Peripheral Manual Communication part (002-04862) for the details.



**Notes:**

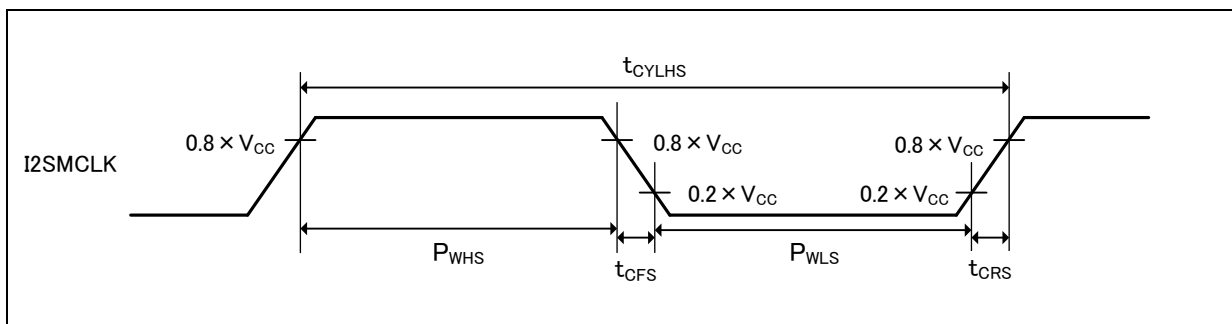
- See Chapter 7-2: I<sup>2</sup>S (Inter-IC Sound bus) Interface in FM4 Family Peripheral Manual Communication part (002-04862) for the details of FSPH, FSLN, SMPL
- I2SCK input is selectable polarity by CPOL bit of CNTREG register



• **I2SMCLK Input Characteristics**

( $V_{CC} = 2.7V$  to  $3.6V$ ,  $V_{SS} = 0V$ )

| Parameter                                | Symbol                 | Pin Name | Conditions                                 | Value |     | Unit | Remarks                   |
|--|------------------------|----------|--|-------|-----|------|---------------------------|
|  |                        |          |  | Min   | Max |      |                           |
| Input frequency                          | $f_{CHS}$              | I2SCK    | -  | -     | 25  | MHz  |                           |
| Input clock cycle                        | $t_{CYLHS}$            | -        | -  | 40    | -   | ns   |                           |
| Input clock pulse width                  | -                      | -        | $P_{WHS}/t_{CYLHS}$<br>$P_{WLS}/t_{CYLHS}$ | 45    | 55  | %    | When using external clock |
| Input clock rising time and falling time | $t_{CFS}$<br>$t_{CRS}$ | -        | -  | -     | 5   | ns   | When using external clock |



• **I2SMCLK Output Characteristics**

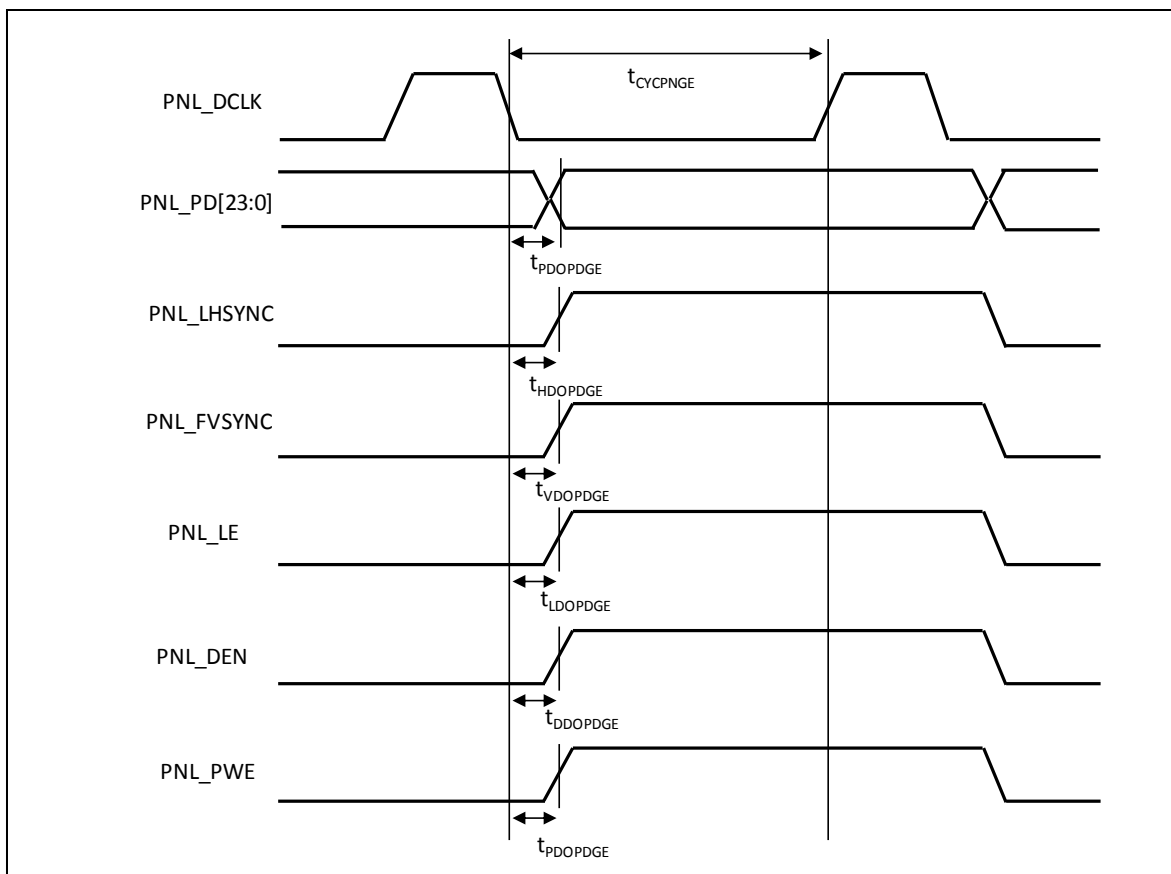
( $V_{CC} = 2.7V$  to  $3.6V$ ,  $V_{SS} = 0V$ )

| Parameter       | Symbol    | Pin Name | Conditions | Value |        | Unit | Remarks |
|-----------------|-----------|----------|------------|-------|--------|------|---------|
|                 |           |          |            | Min   | Max    |      |         |
| Input frequency | $f_{CHS}$ | I2SCK    | -          | -     | 12.288 | MHz  |         |

## 12.4.19 GDC:Panel Output Timing

( $V_{CC} = 3.0V$  to  $3.6V$ ,  $V_{SS} = 0V$ )

| Parameter                                 | Symbol        | Pin Name     | Conditions | Value |     | Unit |
|---|---------------|--------------|------------|-------|-----|------|
|   |               |              |            | Min   | Max |      |
| Output frequency                          | $t_{CYCPNGE}$ | PNL_DCLK     | -          | -     | 40  | MHz  |
| PNL_DCLK↓→PNL_PD[23:0] Output delay time  | $t_{PDOPDGE}$ | PNL_PD[23:0] | -          | -4.5  | 4.5 | ns   |
| PNL_DCLK↓→PNL_LH_SYNC C Output delay time | $t_{HDOPDGE}$ | PNL_LH_SYNC  | -          | -4.5  | 4.5 | ns   |
| PNL_DCLK↓→PNL_FV_SYNC C Output delay time | $t_{VDOPDGE}$ | PNL_FV_SYNC  | -          | -4.5  | 4.5 | ns   |
| PNL_DCLK↓→PNL_LE Output delay time        | $t_{LDOPDGE}$ | PNL_LE       | -          | -4.5  | 4.5 | ns   |
| PNL_DCLK↓→PNL_DEN Output delay time       | $t_{DDOPDGE}$ | PNL_DEN      | -          | -4.5  | 4.5 | ns   |
| PNL_DCLK↓→PNL_PWE Output delay time       | $t_{PDOPDGE}$ | PNL_PWE      | -          | -4.5  | 4.5 | ns   |

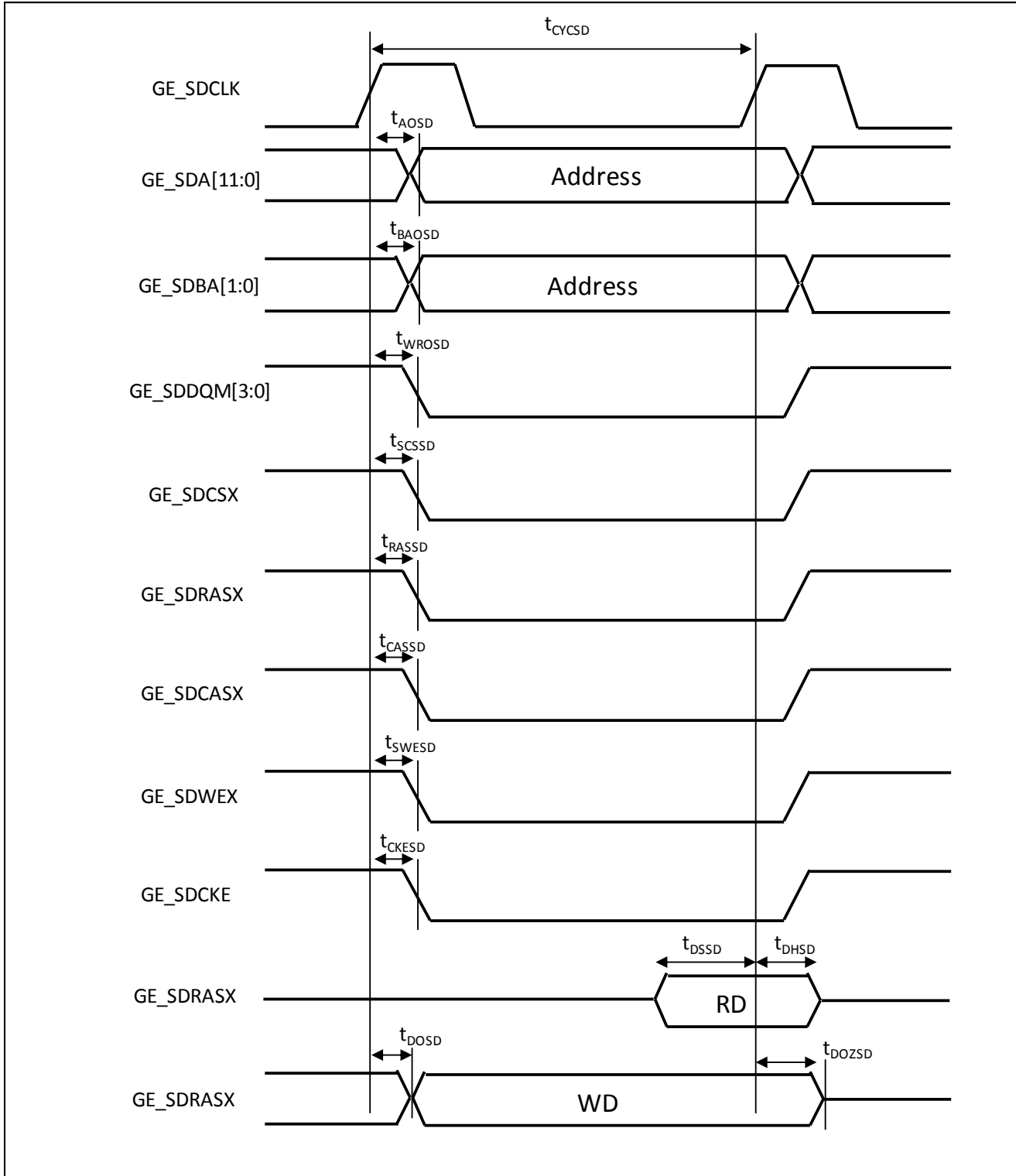




**12.4.20 GDC: SDRAM-IF Timing**

 (V<sub>CC</sub> = 3.0V to 3.6V, V<sub>SS</sub> = 0V)

| Parameter                         | Symbol             | Pin Name                  | Value |     | Unit |
|-----------------------------------|--------------------|---------------------------|-------|-----|------|
|                                   |                    |                           | Min   | Max |      |
| Output frequency                  | t <sub>CYCSD</sub> | GE_SDCLK                  | -     | 80  | MHz  |
| Address delay time                | t <sub>AOSD</sub>  | GE_SDCLK<br>GE_SDA[11:0]  | 1     | 5   | ns   |
| Bank address delay time           | t <sub>BAOSD</sub> | GE_SDCLK<br>GE_SDBA[1:0]  | 1     | 5   | ns   |
| GE_SDCLK↑→ Data output delay time | t <sub>DOSD</sub>  | GE_SDCLK<br>GE_SDDQ[31:0] | 1     | 5   | ns   |
| GE_SDCLK↑→ Data output Hi-Z time  | t <sub>DOZSD</sub> | GE_SDCLK<br>GE_SDDQ[31:0] | 1     | 5   | ns   |
| GE_SDDQM[3:0] delay time          | t <sub>WROSD</sub> | GE_SDCLK<br>GE_SDDQM[3:0] | 1     | 5   | ns   |
| GE_SDCSX delay time               | t <sub>SCSSD</sub> | GE_SDCLK<br>GE_SDCSX      | 1     | 5   | ns   |
| GE_SDRASX delay time              | t <sub>RASSD</sub> | GE_SDCLK<br>GE_SDRASX     | 1     | 5   | ns   |
| GE_SDCASX delay time              | t <sub>CASSD</sub> | GE_SDCLK<br>GE_SDCASX     | 1     | 5   | ns   |
| GE_SDWEX delay time               | t <sub>SWESD</sub> | GE_SDCLK<br>GE_SDWEX      | 1     | 5   | ns   |
| GE_SDCKE delay time               | t <sub>CKESD</sub> | GE_SDCLK<br>GE_SDCKE      | 1     | 5   | ns   |
| Data setup time                   | t <sub>DSSD</sub>  | GE_SDCLK<br>GE_SDDQ[31:0] | 4     | -   | ns   |
| Data hold time                    | t <sub>DHSD</sub>  | GE_SDCLK<br>GE_SDDQ[31:0] | 0     | -   | ns   |



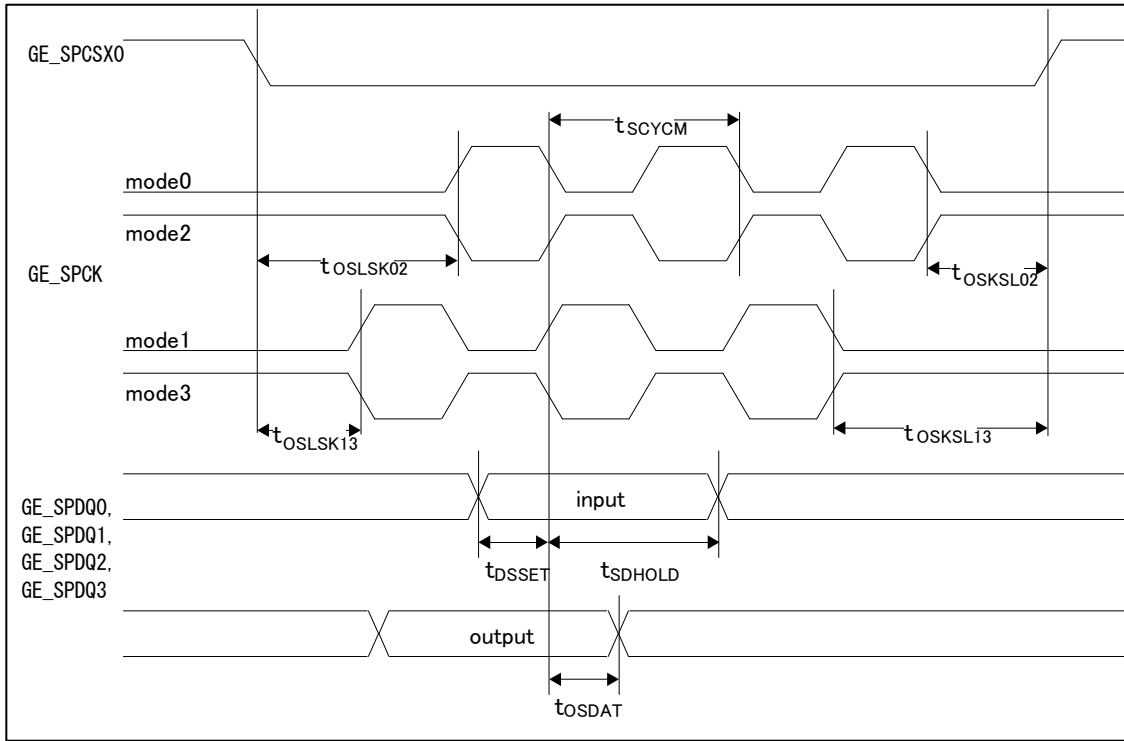
**12.4.21 GDC: High-Speed Quad SPI Timing**

(V<sub>CC</sub> = 3.0V to 3.6V, V<sub>SS</sub> = 0V)

| Parameter   | Symbol               | Pin Name               | Conditions            | Value   |       | Unit |
|---|----------------------|------------------------|-----------------------|---|-------|------|
|   |                      |                        |                       | Min   | Max   |      |
| Serial clock frequency                            | t <sub>SCYCM</sub>   | GE_SPCK                | C <sub>L</sub> =20 pF | -   | 80    | MHz  |
| Enabled CS→<br>CLK Starting Time<br>(mode0/mode2) | t <sub>OSLSK02</sub> | GE_SPCK,<br>GE_SPCSX0  |                       | 1.5×t <sub>SCYCM</sub> –<br>4.25                            | -     | ns   |
| Enabled CS→<br>CLK Starting Time<br>(mode1/mode3) | t <sub>OSLSK13</sub> |                        |                       | t <sub>SCYCM</sub> – 4.25                                   | -     | ns   |
| CLK Last→<br>Disabled CS Time<br>(mode0/mode2)    | t <sub>OSKSL02</sub> |                        |                       | t <sub>SCYCM</sub>  | -     | ns   |
| CLK Last→<br>Disabled CS Time<br>(mode1/mode3)    | t <sub>OSKSL13</sub> |                        |                       | 1.5×t <sub>SCYCM</sub>                                      | -     | ns   |
| SIO Data output time                              | t <sub>OSDAT</sub>   |                        |                       | GE_SPCK,<br>GE_SPDQ0,<br>GE_SPDQ1,<br>GE_SPDQ2,<br>GE_SPDQ3 | -1.25 | 4.25 |
| SIO Setup   | t <sub>DSSSET</sub>  | 4                      |                       |   | -     | ns   |
| SIO Hold  | t <sub>SDHOLD</sub>  | 0.5×t <sub>SCYCM</sub> |                       |   | -     | ns   |

**Note:**

- See Chapter 8-3: High-Speed Quad SPI controller in FM4 Family Peripheral Manual Communication part (002-04862) for the detail of RTM mode.

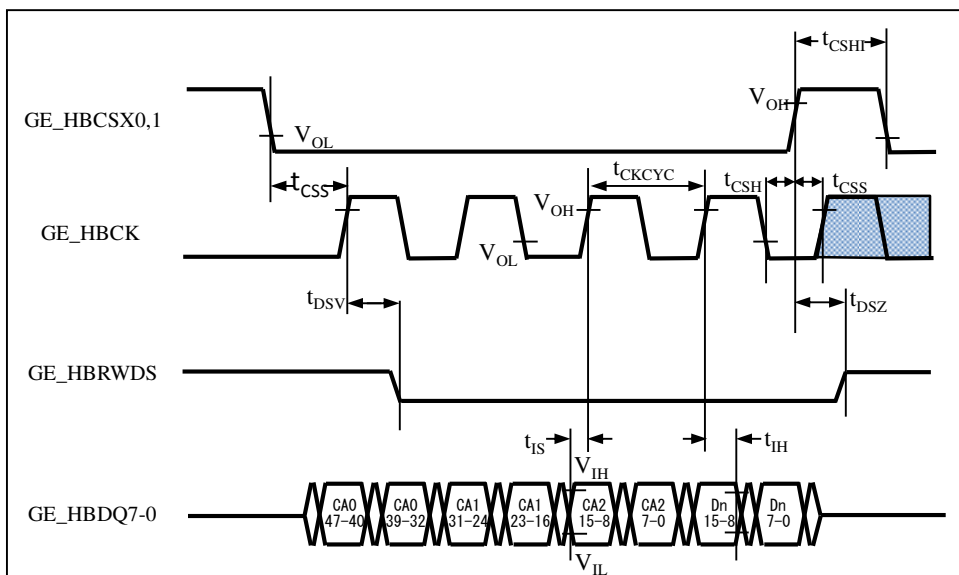


**12.4.22 GDC: HyperBus I/F Timing**

**HyperFlash Write**

(V<sub>CC</sub> = 3.0V to 3.6V, V<sub>SS</sub> = 0V)

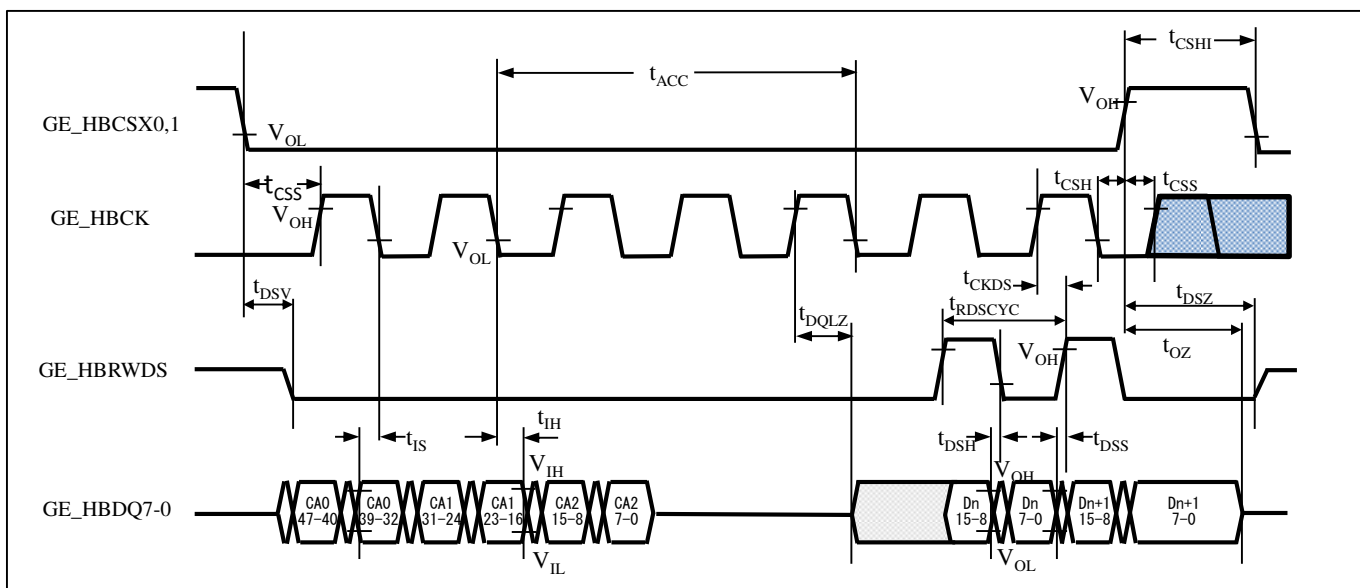
| Parameter  | Symbol             | Pin Name               | Conditions            | Value |     | Unit |
|--|--------------------|------------------------|-----------------------|-------|-----|------|
|  |                    |                        |                       | Min   | Max |      |
| Hyper Bus clock cycle                                  | t <sub>CKCYC</sub> | GE_HBCK                | C <sub>L</sub> =30 pF | 10    | -   | ns   |
| CS ↑ ↓ → CK ↑<br>Chip Select setup time                | t <sub>CSS</sub>   | GE_HBCSX1<br>GE_HBCSX0 |                       | 3     | -   | ns   |
| CS ↓ → RDS ↓<br>Chip select active to RDS valid(Low)   | t <sub>DSV</sub>   | GE_HBRWDS              |                       | -     | 8   | ns   |
| DQ → CK ↑ ↓<br>Input setup time                        | t <sub>IS</sub>    | GE_HBDQ7-<br>GE_HBDQ0  |                       | 0.8   | -   | ns   |
| CK ↑ ↓ → DQ<br>Input hold time                         | t <sub>IH</sub>    | GE_HBDQ7-<br>GE_HBDQ0  |                       | 0.8   | -   | ns   |
| CK ↓ → CS ↑<br>Chip select hold time                   | t <sub>CSH</sub>   | GE_HBCSX1<br>GE_HBCSX0 |                       | 0     | -   | ns   |
| CS ↑ → RDS(Hi-z)<br>Chip select Inactive to RDS High-Z | t <sub>DSZ</sub>   | GE_HBCSX1<br>GE_HBCSX0 |                       | -     | 7   | ns   |
| CS ↑ → CS ↓<br>Chip select HIGH between operation      | t <sub>CSHI</sub>  | GE_HBCSX1<br>GE_HBCSX0 |                       | 8     | -   | ns   |



## HyperFlash Read

(V<sub>CC</sub> = 3.0V to 3.6V, V<sub>SS</sub> = 0V)

| Parameter                | Symbol              | Pin Name               | Conditions           | Value |      | Unit |
|--------------------------|---------------------|------------------------|----------------------|-------|------|------|
|                          |                     |                        |                      | Min   | Max  |      |
| Hyper Bus clock cycle    | t <sub>RDSCYC</sub> | GE_HBCK                | C <sub>L</sub> =30pF | 10    | -    | ns   |
| Read initial Access Time | t <sub>ACC</sub>    | GE_HBCK                |                      | -     | 120  | ns   |
| CS ↑ ↓ → CK ↑            | t <sub>CSS</sub>    | GE_HBCSX1<br>GE_HBCSX0 |                      | 3     | -    | ns   |
| CS ↓ → RDS ↓             | t <sub>DSV</sub>    | GE_HBRWDS              |                      | -     | 8    | ns   |
| DQ → CK ↑ ↓              | t <sub>IS</sub>     | GE_HBDQ7-<br>GE_HBDQ0  |                      | 0.8   | -    | ns   |
| CK ↑ ↓ → DQ              | t <sub>IH</sub>     | GE_HBDQ7-<br>GE_HBDQ0  |                      | 0.8   | -    | ns   |
| CK ↓ → CS ↑              | t <sub>CSH</sub>    | GE_HBCSX1<br>GE_HBCSX0 |                      | 0     | -    | ns   |
| CS ↑ → RDS(Hi-Z)         | t <sub>DSZ</sub>    | GE_HBRWDS              |                      | -     | 7    | ns   |
| CK ↑ ↓ → DQ (Low Z)      | t <sub>DQLZ</sub>   | GE_HBDQ7-<br>GE_HBDQ0  |                      | 0     | -    | ns   |
| RDS ↑ ↓ → DQ (valid)     | t <sub>DSS</sub>    | GE_HBDQ7-<br>GE_HBDQ0  |                      | -0.8  | +0.8 | ns   |
| RDS ↑ ↓ → DQ (invalid)   | t <sub>DSH</sub>    | GE_HBDQ7-<br>GE_HBDQ0  |                      | -0.8  | +0.8 | ns   |
| CS ↑ → DQ (Hi-Z)         | t <sub>OZ</sub>     | GE_HBDQ7-<br>GE_HBDQ0  |                      | -     | 7    | ns   |
| CK ↑ ↓ → RDS ↑ ↓         | t <sub>CKDS</sub>   | GE_HBRWDS              |                      | 1     | 7    | ns   |
| CS ↑ → CS ↓              | t <sub>CSHI</sub>   | GE_HBCSX1<br>GE_HBCSX0 |                      | 8     | -    | ns   |



**12.5 12-bit A/D Converter**
**Electrical Characteristics for the A/D Converter**

 ( $V_{CC} = AV_{CC} = 2.7V$  to  $3.6V$ ,  $V_{SS} = AV_{SS} = AV_{RL} = 0V$ )

| Parameter                                     | Symbol    | Pin Name  | Value      |              |              | Unit       | Remarks   |
|---|-----------|-----------|------------|--------------|--------------|------------|---|
|   |           |           | Min        | Typ          | Max          |            |   |
| Resolution                                    | -         | -         | -          | -            | 12           | bit        |   |
| Integral Nonlinearity                         | -         | -         | -          | -            | $\pm 4.5$    | LSB        | AVRH=2.7 V to 3.6 V<br>Offset calibration when used |
| Differential Nonlinearity                     | -         | -         | -          | -            | $\pm 2.5$    | LSB        |   |
| Zero transition voltage                       | $V_{ZT}$  | ANxx      | -          | $\pm 2$      | $\pm 7$      | LSB        |   |
| Full-scale transition voltage                 | $V_{FST}$ | ANxx      | -          | $AVRH \pm 2$ | $AVRH \pm 7$ | LSB        |   |
| Total error                                   | -         | -         | -          | $\pm 3$      | $\pm 8$      | LSB        |   |
| Conversion time                               | -         | -         | $1.0^{*1}$ | -            | -            | $\mu s$    |   |
| Sampling time *2                              | $t_s$     | -         | 0.3        | -            | 10           | $\mu s$    |   |
| Compare clock cycle*3                         | $t_{cck}$ | -         | 50         | -            | 1000         | ns         |   |
| State transition time to operation permission | $t_{STT}$ | -         | -          | -            | 1.0          | $\mu s$    |   |
| Power supply current (analog + digital)       | -         | $AV_{CC}$ | -          | 0.30         | 0.45         | mA         | A/D 1unit operation                                 |
|   |           |           | -          | 0.1          | 9.5          | $\mu A$    | When A/D stop                                       |
| Reference power supply current(AVRH)          | -         | AVRH      | -          | 0.66         | 1.18         | mA         | A/D 1unit operation<br>AVRH=3.3 V                   |
|   |           |           | -          | 0.2          | 3.2          | $\mu A$    | When A/D stop                                       |
| Analog input capacity                         | $C_{AIN}$ | -         | -          | -            | 12.05        | pF         |   |
| Analog input resistance                       | $R_{AIN}$ | -         | -          | -            | 1.8          | k $\Omega$ |   |
| Interchannel disparity                        | -         | -         | -          | -            | 4            | LSB        |   |
| Analog port input leak current                | -         | ANxx      | -          | -            | 5            | $\mu A$    |   |
| Analog input voltage                          | -         | ANxx      | $AV_{SS}$  | -            | AVRH         | V          |   |
|   |           |           | $AV_{SS}$  | -            | $AV_{CC}$    | V          |   |
| Reference voltage                             | -         | AVRH      | 2.7        | -            | $AV_{CC}$    | V          | $t_{cck} \geq 50$ ns                                |
|   |           | AVRL      | $AV_{SS}$  | -            | $AV_{SS}$    | V          |   |

\*1: The conversion time is the value of sampling time ( $t_s$ ) + compare time ( $t_c$ ).

Ensure that it satisfies the value of sampling time ( $t_s$ ) and compare clock cycle ( $t_{cck}$ ).

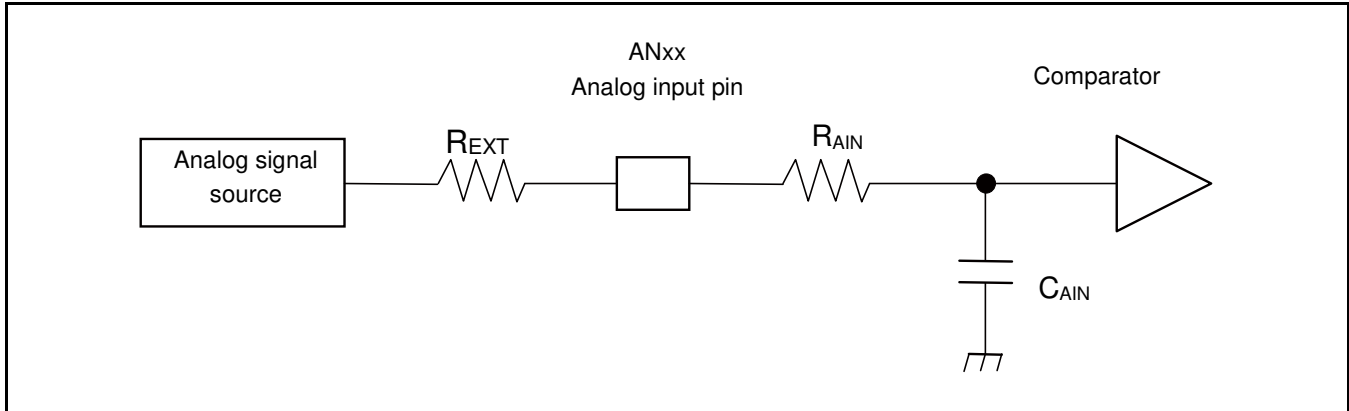
For setting of sampling time and compare clock cycle, see Chapter 1-1: A/D Converter in FM4 Family Peripheral Manual Analog Macro Part (002-04860). The register setting of the A/D converter is reflected by the APB bus clock timing.

For more information about the APB bus signal to which the A/D converter is connected, see 10. Block Diagram in this data sheet.

The sampling clock and compare clock are set at base clock (HCLK).

\*2: A necessary sampling time changes by external impedance. Ensure that it set the sampling time to satisfy (Equation 1).

\*3: The compare time ( $t_c$ ) is the value of (Equation 2).



(Equation 1)  $t_s \geq (R_{AIN} + R_{EXT}) \times C_{AIN} \times 9$

$t_s$ : Sampling time

$R_{AIN}$ : Input resistance of A/D = 1.8 k $\Omega$

$C_{AIN}$ : Input capacity of A/D = 12.05 pF

$R_{EXT}$ : Output impedance of external circuit

(Equation 2)  $t_c = t_{CCK} \times 14$

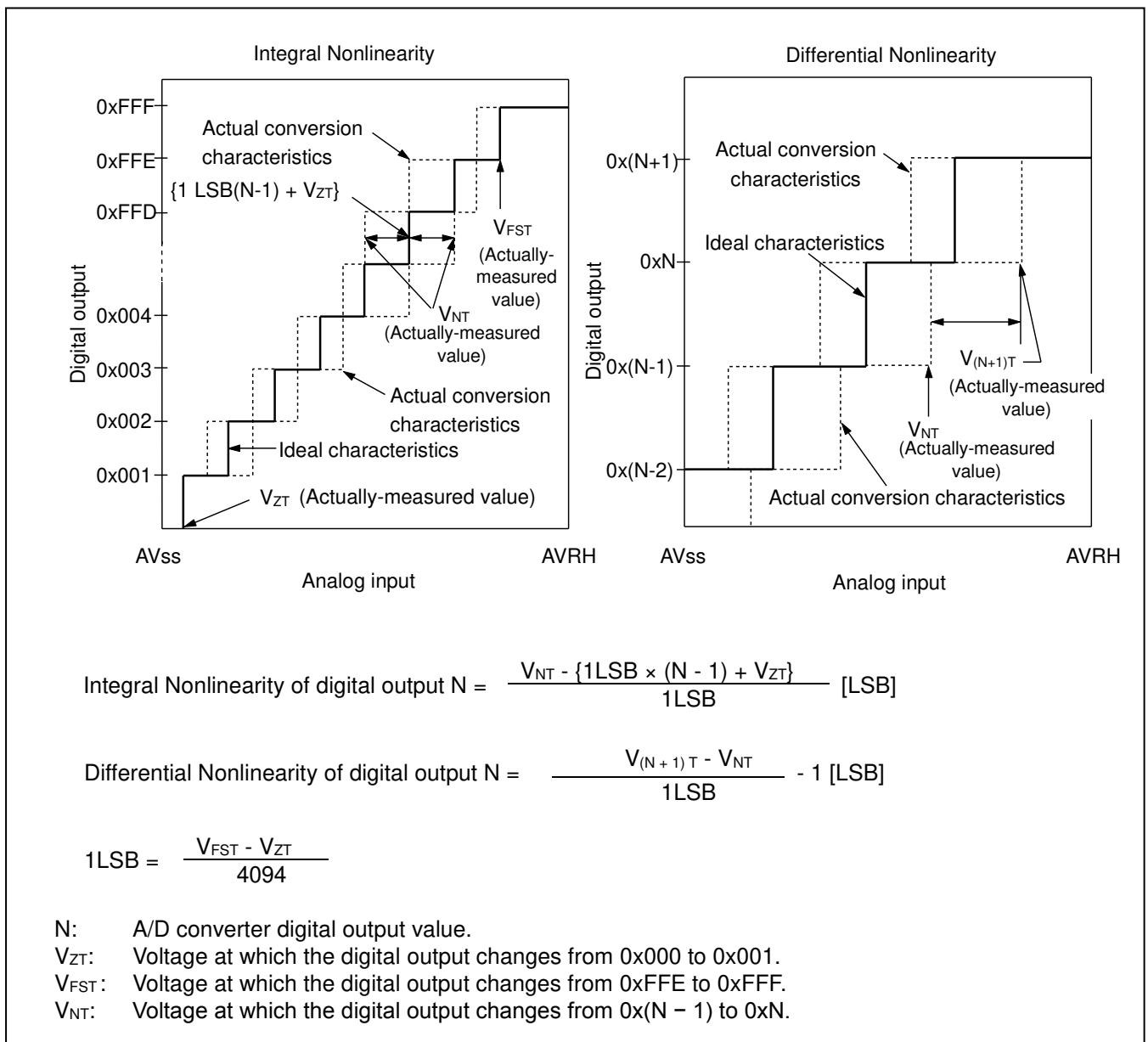
$t_c$ : Compare time

$t_{CCK}$ : Compare clock cycle

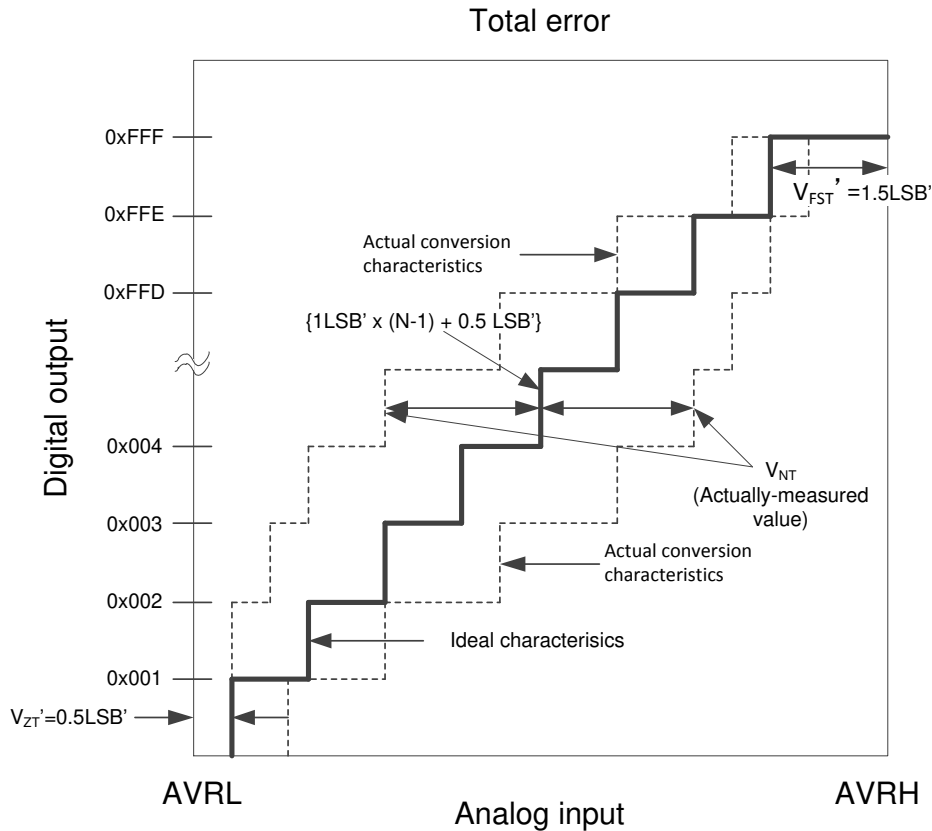


**Definition of 12-bit A/D Converter Terms**

- Resolution: Analog variation that is recognized by an A/D converter.
- Integral Nonlinearity: Deviation of the line between the zero-transition point (0b000000000000 ↔ 0b000000000001) and the full-scale transition point (0b111111111110 ↔ 0b111111111111) from the actual conversion characteristics.
- Differential Nonlinearity: Deviation from the ideal value of the input voltage that is required to change the output code by 1 LSB.



- Total error: A difference between actual value and theoretical value.  
The overall error includes zero-transition voltage, full-scale transition voltage and linearity error.



$$\text{Total error of digital output } N = \frac{V_{NT} - \{1 \text{ LSB}' \times (N-1) + 0.5 \text{ LSB}'\}}{1 \text{ LSB}'} \quad [\text{LSB}]$$

$$1 \text{ LSB}' \text{ (ideal value)} = \frac{AVRH - AVRL}{4096} \quad [\text{V}]$$

$$V_{ZT}' \text{ (ideal value)} = AVRL + 0.5 \text{ LSB}' \quad [\text{V}]$$

$$V_{FST}' \text{ (ideal value)} = AVRH - 1.5 \text{ LSB}' \quad [\text{V}]$$

$V_{NT}'$  : A voltage for causing transition of digital output from (N-1) to N

## 12.6 USB Characteristics

( $V_{CC} = 3.0V$  to  $3.6V$ ,  $V_{SS} = 0V$ )

| Parameter              | Symbol                         | Pin Name   | Conditions                                | Value          |                | Unit     | Remarks |
|------------------------|--------------------------------|------------|---|----------------|----------------|----------|---------|
|                        |                                |            |   | Min            | Max            |          |         |
| Input characteristics  | Input H level voltage          | $V_{IH}$   | -   | 2.0            | $V_{CC} + 0.3$ | V        | *1      |
|                        | Input L level voltage          | $V_{IL}$   | -   | $V_{SS} - 0.3$ | 0.8            | V        | *1      |
|                        | Differential input sensitivity | $V_{DI}$   | -   | 0.2            | -              | V        | *2      |
|                        | Different common mode range    | $V_{CM}$   | -   | 0.8            | 2.5            | V        | *2      |
| Output characteristics | Output H level voltage         | $V_{OH}$   | External pull-up resistance = $15k\Omega$ | 2.8            | 3.6            | V        | *3      |
|                        | Output L level voltage         | $V_{OL}$   | External pull-up resistance = $15k\Omega$ | 0.0            | 0.3            | V        | *3      |
|                        | Crossover voltage              | $V_{CRS}$  | -   | 1.3            | 2.0            | V        | *4      |
|                        | Rising time                    | $t_{FR}$   | Full-Speed                                | 4              | 20             | ns       | *5      |
|                        | Falling time                   | $t_{FF}$   | Full-Speed                                | 4              | 20             | ns       | *5      |
|                        | Rising/falling time matching   | $t_{FRFM}$ | Full-Speed                                | 90             | 111.11         | %        | *5      |
|                        | Output impedance               | $Z_{DRV}$  | Full-Speed                                | 28             | 44             | $\Omega$ | *6      |
|                        | Rising time                    | $t_{LR}$   | Low-Speed                                 | 75             | 300            | ns       | *7      |
|                        | Falling time                   | $t_{LF}$   | Low-Speed                                 | 75             | 300            | ns       | *7      |
|                        | Rising/falling time matching   | $t_{LRFM}$ | Low-Speed                                 | 80             | 125            | %        | *7      |

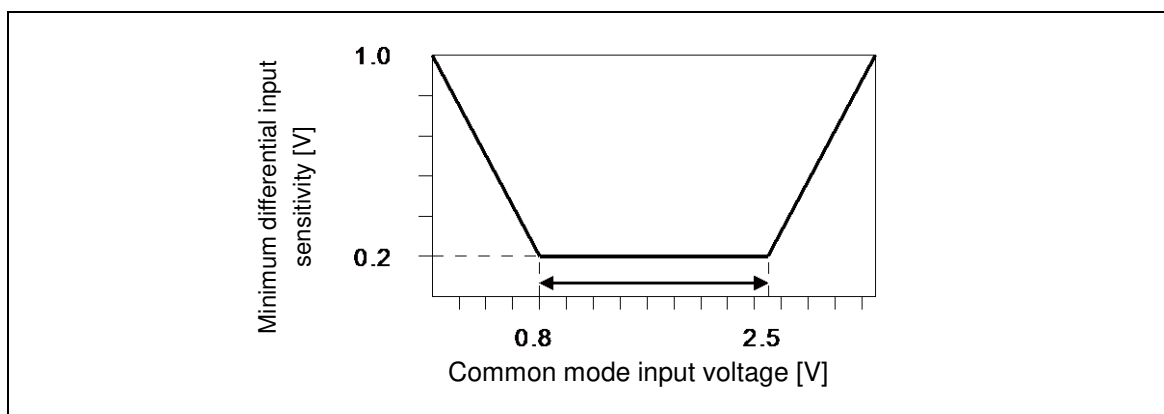
\*1: The switching threshold voltage of Single-end-receiver of USB I/O buffer is set as within  $V_{IL}$  (Max) = 0.8 V,  $V_{IH}$  (Min) = 2.0 V (TTL input standard).

There are some hysteresis to lower noise sensitivity.

\*2: Use differential-Receiver to receive USB differential data signal.

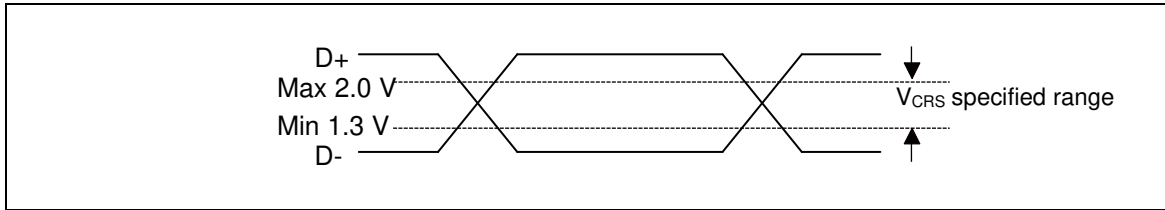
Differential-receiver has 200 mV of differential input sensitivity when the differential data input is within 0.8 V to 2.5 V to the local ground reference level.

Above voltage range is the common mode input voltage range.

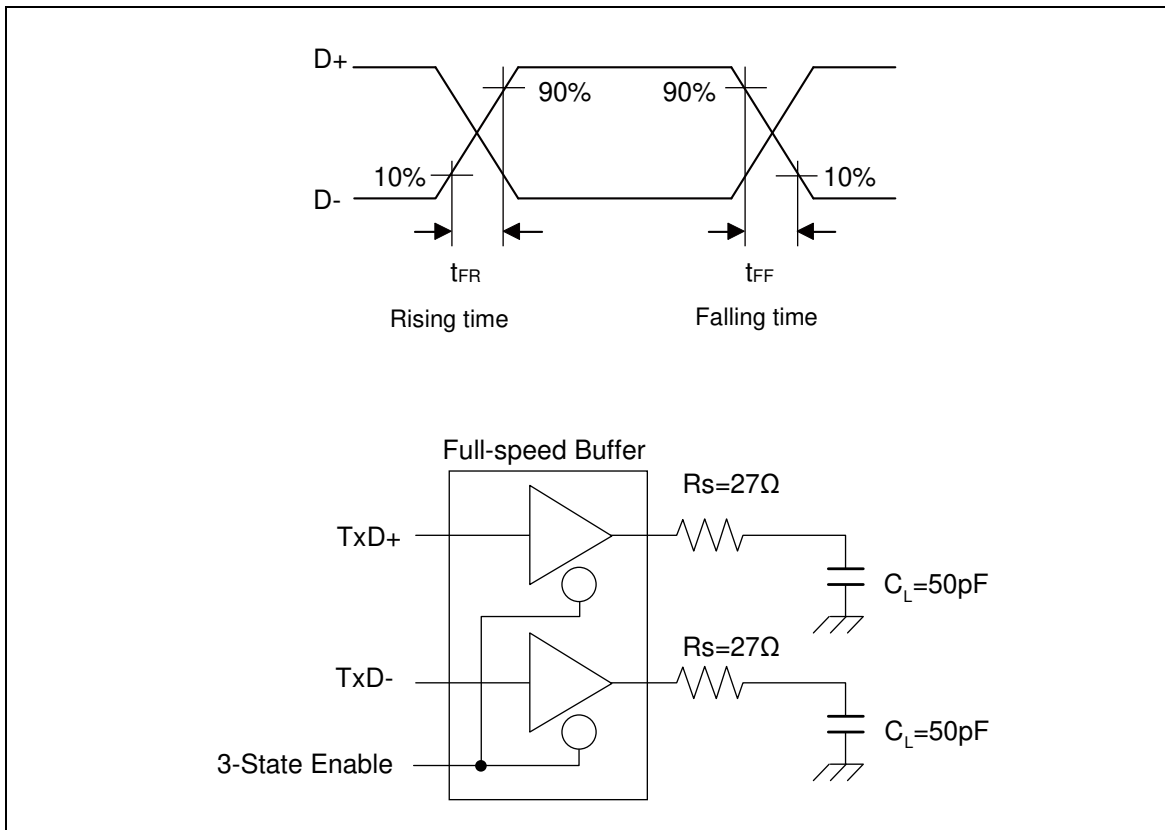


\*3: The output drive capability of the driver is below 0.3 V at Low-state ( $V_{OL}$ ) (to 3.6 V and 1.5 k $\Omega$  load), and 2.8 V or above (to the  $V_{SS}$  and 15 k $\Omega$  load) at High-State ( $V_{OH}$ ).

\*4: The cross voltage of the external differential output signal (D + /D -) of USB I/O buffer is within 1.3 V to 2.0 V.



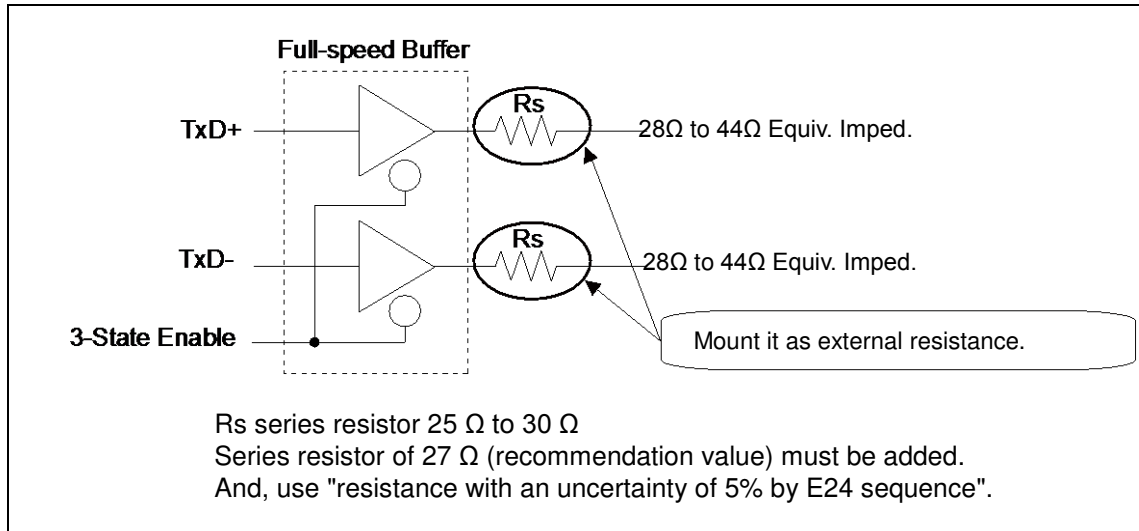
\*5: They indicate Rising time ( $t_{FR}$ ) and Falling time ( $t_{FF}$ ) of the Full-speed differential data signal. They are defined by the time between 10 % and 90 % of the output signal voltage. For Full-speed buffer,  $t_{FR}/t_{FF}$  ratio is regulated as within  $\pm 10\%$  to minimize RFI emission.



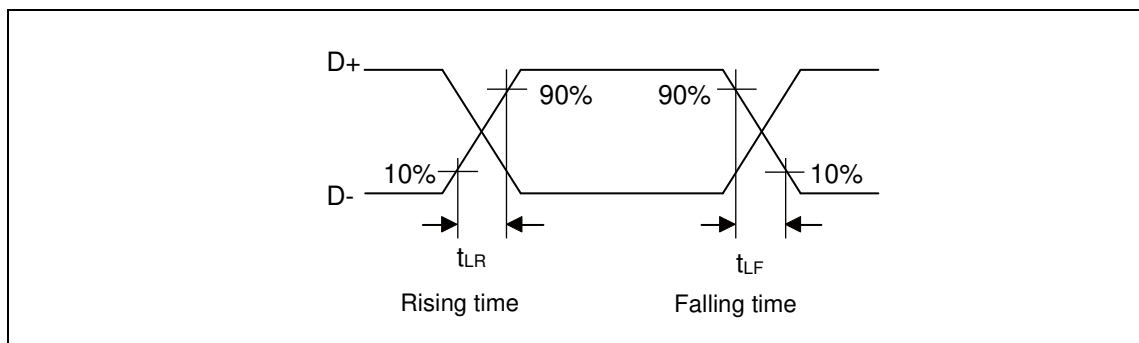
\*6: USB Full-speed connection is performed via twist pair cable shield with  $90 \Omega \pm 15 \%$  characteristic impedance (Differential Mode).

USB standard defines that output impedance of USB driver must be in range from  $28 \Omega$  to  $44 \Omega$ . So, discrete series resistor ( $R_s$ ) addition is defined in order to satisfy the above definition and keep balance.

When using this USB I/O, use it with  $25 \Omega$  to  $30 \Omega$  (recommendation value  $27 \Omega$ ) Series resistor  $R_s$ .



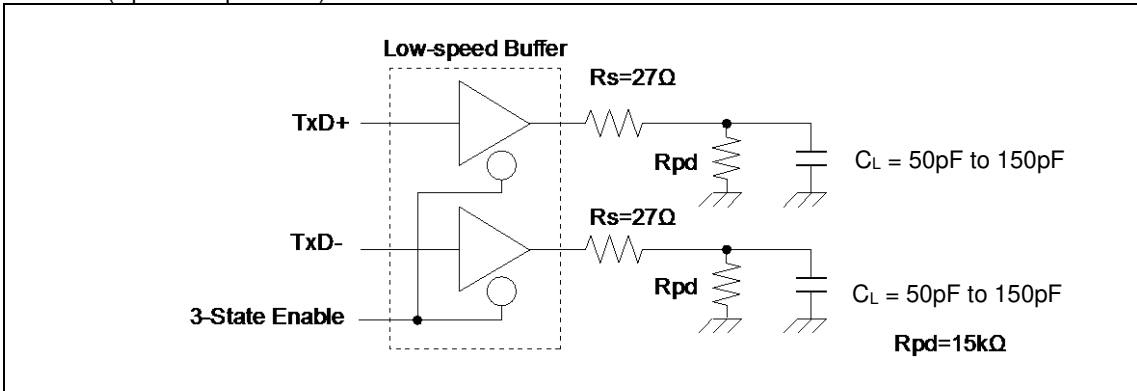
\*7: They indicate rising time ( $t_{LR}$ ) and Falling time ( $t_{LF}$ ) of the Low-speed differential data signal. They are defined by the time between 10 % and 90 % of the output signal voltage.



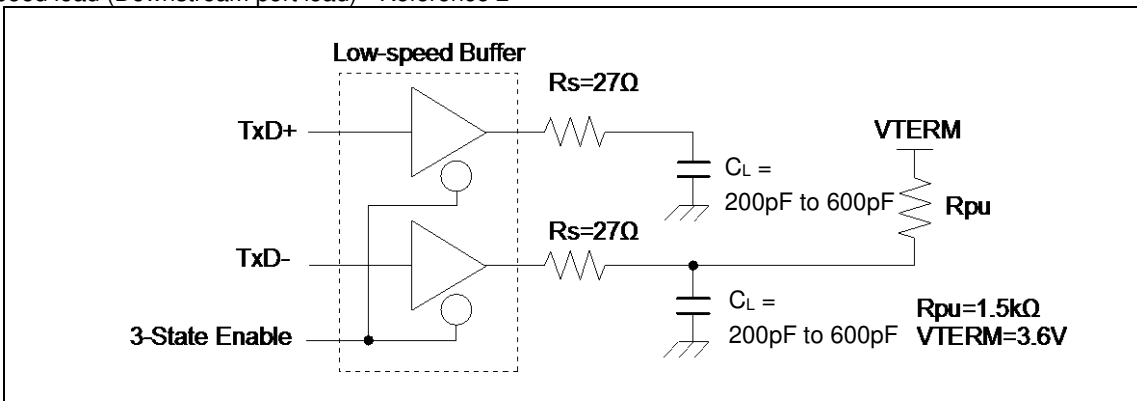
**Note:**

- See Low-speed load (Compliance load) for conditions of external load.

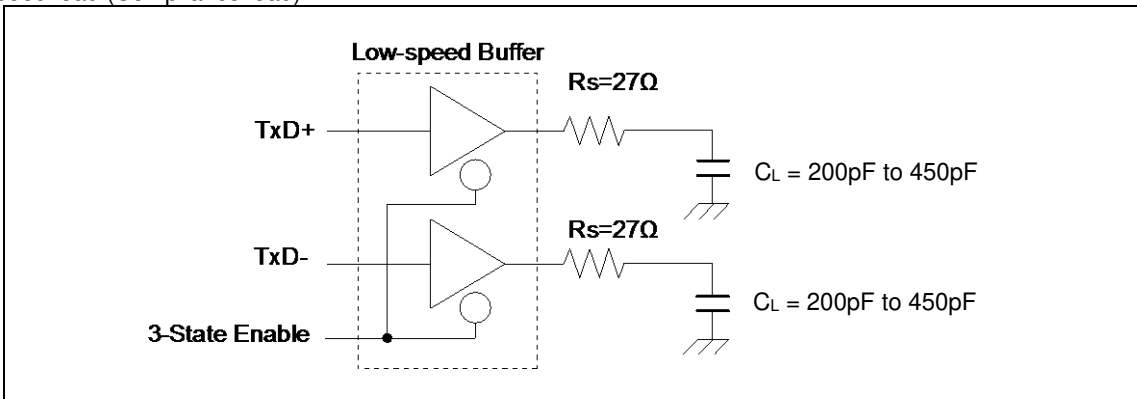
■ Low-speed load (Upstream port load) - Reference 1



■ Low-speed load (Downstream port load) - Reference 2



■ Low-speed load (Compliance load)



## 12.7 Low-Voltage Detection Characteristics

### 12.7.1 Low-Voltage Detection Reset

| Parameter        | Symbol | Conditions | Value |      |      | Unit | Remarks            |
|------------------|--------|------------|-------|------|------|------|--------------------|
|                  |        |            | Min   | Typ  | Max  |      |                    |
| Detected voltage | VDL    | -          | 2.46  | 2.55 | 2.64 | V    | When voltage drops |
| Released voltage | VDH    | -          | 2.51  | 2.60 | 2.69 | V    | When voltage rises |

### 12.7.2 Interrupt of Low-Voltage Detection

| Parameter                   | Symbol     | Conditions   | Value |      |                             | Unit    | Remarks            |
|-----------------------------|------------|--------------|-------|------|-----------------------------|---------|--------------------|
|                             |            |              | Min   | Typ  | Max                         |         |                    |
| Detected voltage            | VDL        | SVHI = 00111 | 2.80  | 2.90 | 3.00                        | V       | When voltage drops |
| Released voltage            | VDH        |              | 2.90  | 3.00 | 3.11                        | V       | When voltage rises |
| Detected voltage            | VDL        | SVHI = 00100 | 2.99  | 3.10 | 3.21                        | V       | When voltage drops |
| Released voltage            | VDH        |              | 3.09  | 3.20 | 3.31                        | V       | When voltage rises |
| Detected voltage            | VDL        | SVHI = 01100 | 3.18  | 3.30 | 3.42                        | V       | When voltage drops |
| Released voltage            | VDH        |              | 3.28  | 3.40 | 3.52                        | V       | When voltage rises |
| LVD stabilization wait time | $t_{LVDW}$ | -            | -     | -    | $4800 \times t_{CYCP}$<br>* | $\mu s$ |                    |

\*:  $t_{CYCP}$  indicates the APB2 bus clock cycle time.

## 12.8 MainFlash Memory Write/Erase Characteristics

(V<sub>CC</sub> = 2.7V to 3.6V, V<sub>SS</sub> = 0V)

| Parameter                     |                          | Value |     |     | Unit | Remarks                                     |
|-------------------------------|--------------------------|-------|-----|-----|------|---|
|                               |                          | Min   | Typ | Max |      |   |
| Sector erase time             | Large Sector             | -     | 0.7 | 3.7 | s    | Includes write time prior to internal erase |
|                               | Small Sector             | -     | 0.3 | 1.1 | s    |   |
| Half word (16-bit) write time | Write cycles ≤ 100 times | -     | 12  | 100 | μs   | Not including system-level overhead time    |
|                               | Write cycles > 100 times |       |     | 200 |      |   |
| Chip erase time               |                          | -     | 6.6 | 31  | s    | Includes write time prior to internal erase |

## Write Cycles and Data Hold Time

| Erase/Write Cycles (cycle) | Data Hold Time (year) |
|----------------------------|-----------------------|
| 1,000                      | 20*                   |
| 10,000                     | 10*                   |
| 100,000                    | 5*                    |

\*: This value comes from the technology qualification (using Arrhenius equation to translate high temperature acceleration test result into average temperature value at + 85°C) .

## 12.9 VFLASH Memory Write/Erase Characteristics

(V<sub>CC</sub> = 2.7V to 3.6V, V<sub>SS</sub> = 0V)

| Parameter                | Value |      |      | Unit | Remarks |
|--------------------------|-------|------|------|------|---------|
|                          | Min   | Typ  | Max  |      |         |
| Sector erase time (4 KB) | -     | 50   | 450  | ms   |         |
| Block Erase Time (64 KB) | -     | 500  | 2000 | ms   |         |
| Page Program Time        | -     | 0.7  | 3    | ms   |         |
| Chip erase time          | -     | 11.2 | 64   | s    |         |

## Erase Endurance

| Parameter        | Value |     |     | Unit  | Remarks |
|------------------|-------|-----|-----|-------|---------|
|                  | Min   | Typ | Max |       |         |
| Erase per sector | 100k  | -   | -   | cycle |         |

\*: Data retention of 20 years is based on 1k erase cycle or less.



## 12.10 Standby Recovery Time

### 12.10.1 Recovery Cause: Interrupt/WKUP

The time from recovery cause reception of the internal circuit to the program operation start is shown.

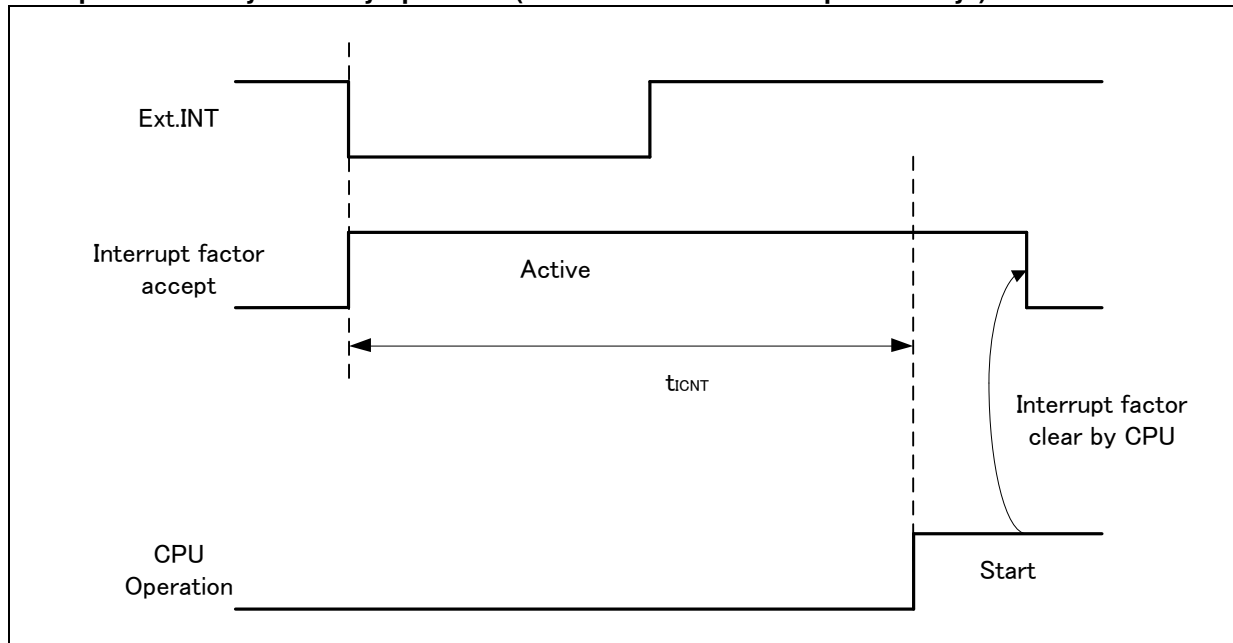
#### Recovery Count Time

( $V_{CC} = 2.7V$  to  $3.6V$ ,  $V_{SS} = 0V$ )

| Parameter  | Symbol            | Value  |      | Unit | Remarks               |
|--|-------------------|--------|------|------|-----------------------|
|  |                   | Typ    | Max* |      |                       |
| Sleep mode   | t <sub>ICNT</sub> | HCLK×1 |      | μs   |                       |
| High-speed CR Timer mode<br>Main Timer mode<br>PLL Timer mode      |                   | 40     | 80   | μs   |                       |
| Low-speed CR timer mode  |                   | 450    | 900  | μs   |                       |
| Sub timer mode   |                   | 896    | 1136 | μs   |                       |
| RTC mode<br>Stop mode<br>(High-speed CR /Main/PLL run mode return) |                   | 316    | 581  | μs   |                       |
| RTC mode<br>Stop mode<br>(Low-speed CR/sub run mode return)        |                   | 270    | 540  | μs   |                       |
| Deep standby RTC mode  |                   | 365    | 667  | μs   | without RAM retention |
| Deep standby Stop mode   |                   | 365    | 667  | μs   | with RAM retention    |

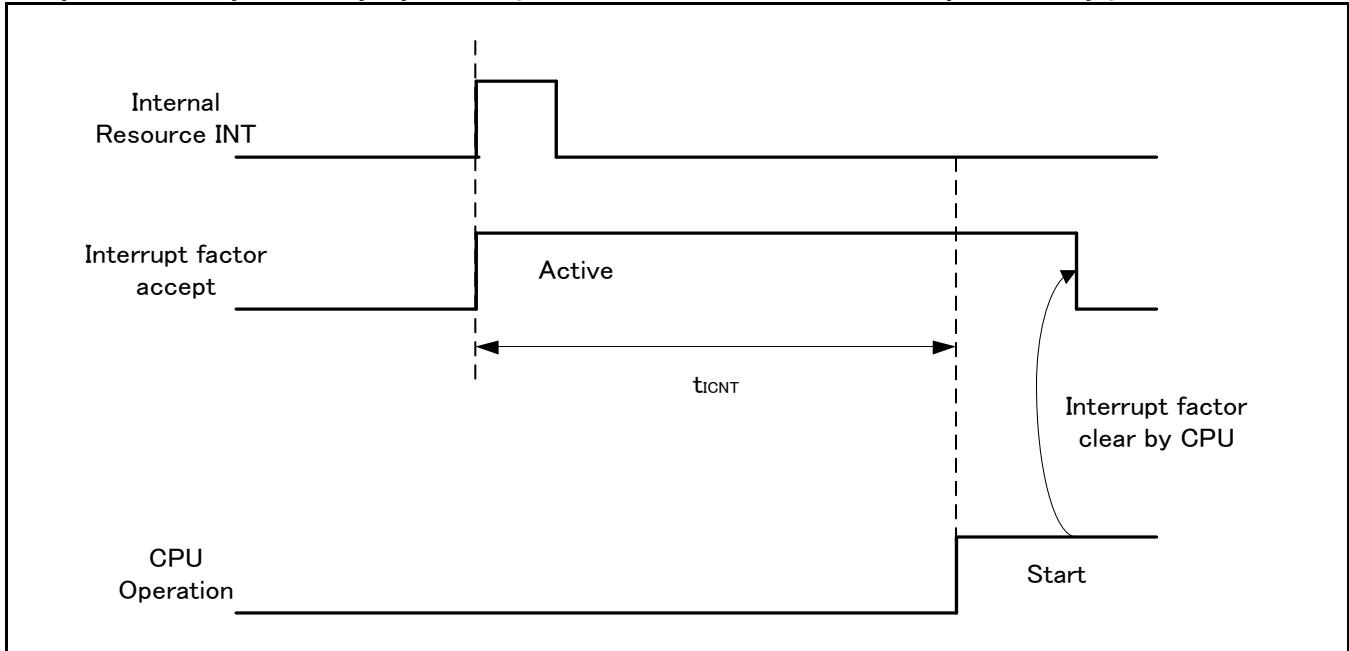
\*: The maximum value depends on the built-in CR accuracy.

#### Example of standby recovery operation (when in external interrupt recovery\*)



\*: External interrupt is set to detecting fall edge.

**Example of Standby Recovery Operation (when in Internal Resource Interrupt Recovery\*)**



\*: Depending on the standby mode, interrupt from the internal resource is not included in the recovery cause.

**Notes:**

- The return factor is different in each Low-Power consumption modes. See Chapter 6: The return factor from each low power consumption modes in "FM4 Family Peripheral Manual Main Part (002-04856).
- When interrupt recovers, the operation mode that CPU recovers depends on the state before the Low-Power consumption mode transition. See Chapter 6: Low Power Consumption Mode" in "FM4 Family Peripheral Manual Main part (002-04856).

**12.10.2 Recovery Cause: Reset**

The time from reset release to the program operation start is shown.

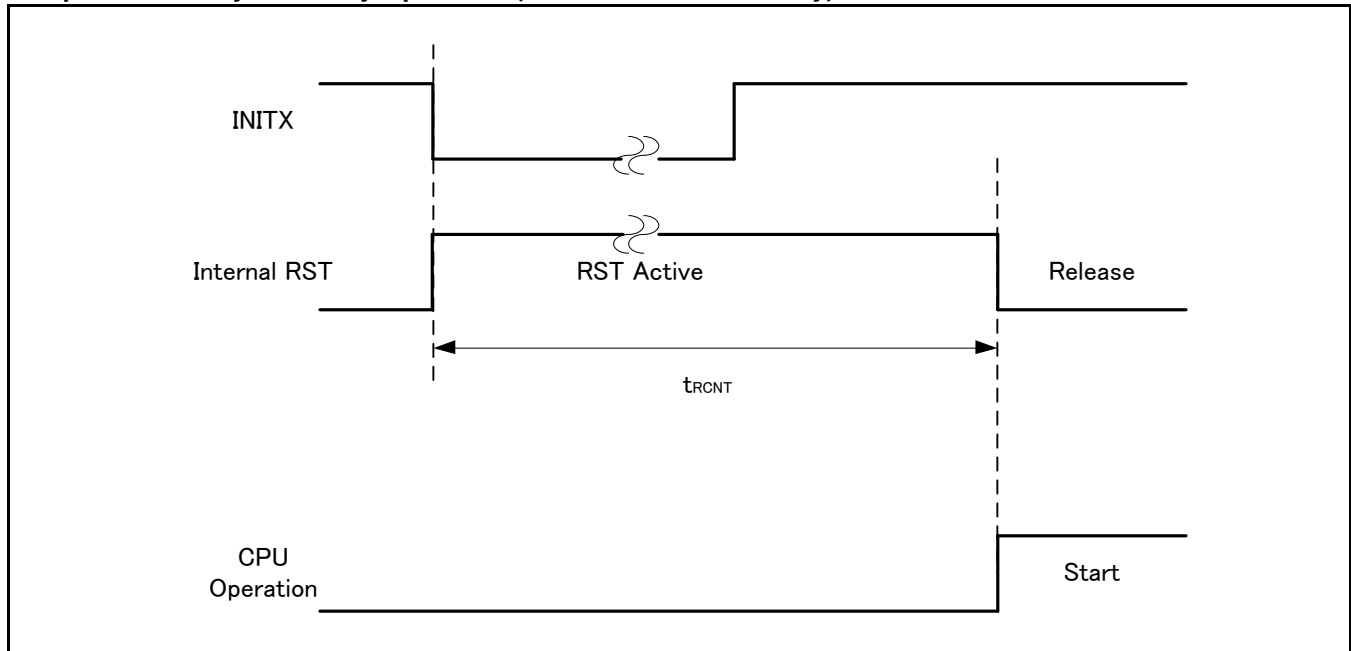
**Recovery Count Time**

(V<sub>CC</sub> = 2.7V to 3.6V, V<sub>SS</sub> = 0V)

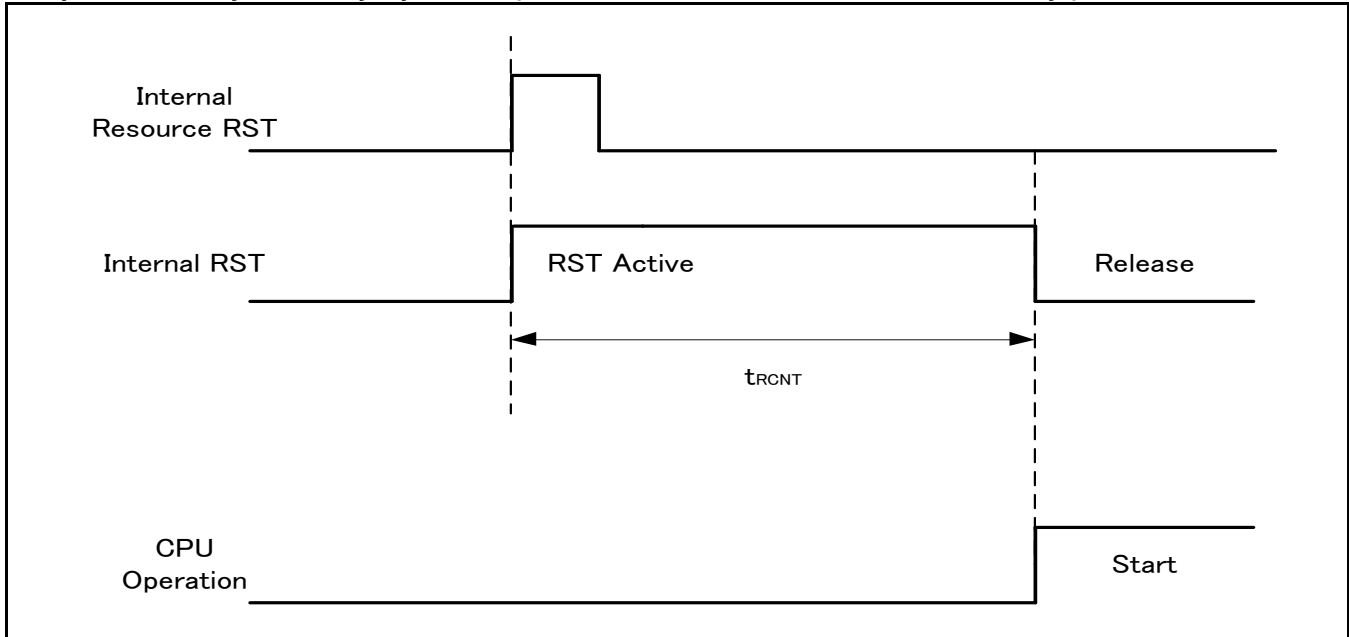
| Parameter   | Symbol            | Value |      | Unit | Remarks               |
|---|-------------------|-------|------|------|-----------------------|
|   |                   | Typ   | Max* |      |                       |
| Sleep mode  | t <sub>RCNT</sub> | 155   | 266  | μs   |                       |
| High-speed CR Timer mode<br>Main Timer mode<br>PLL Timer mode |                   | 155   | 266  | μs   |                       |
| Low-speed CR timer mode                                       |                   | 315   | 567  | μs   |                       |
| Sub timer mode  |                   | 315   | 567  | μs   |                       |
| RTC mode<br>Stop mode   |                   | 315   | 567  | μs   |                       |
| Deep standby RTC mode   |                   | 336   | 667  | μs   | without RAM retention |
| Deep standby Stop mode  |                   | 336   | 667  | μs   | with RAM retention    |

\*: The maximum value depends on the built-in CR accuracy.

**Example of Standby Recovery Operation (when in INITX Recovery)**



**Example of Standby Recovery Operation (when in Internal Resource Reset Recovery\*)**



\*: Depending on the Low-Power consumption mode, the reset issue from the internal resource is not included in the recovery cause.

**Notes:**

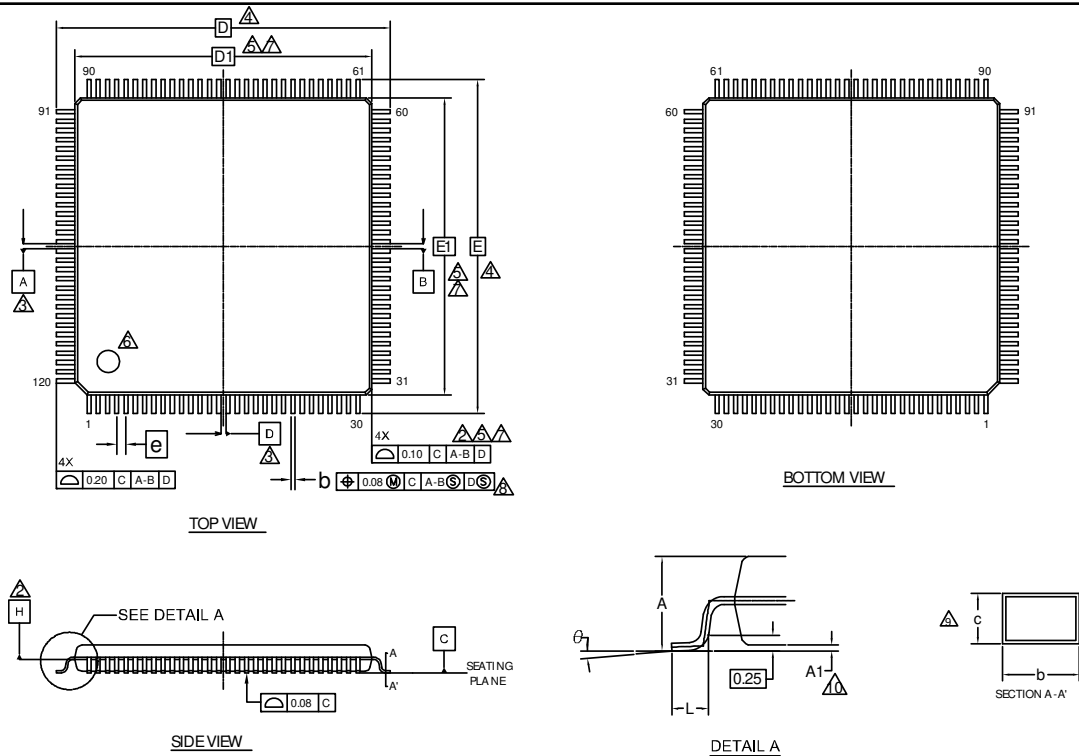
- The return factor is different in each low power consumption mode. See Chapter 6: The return factor from each low power consumption modes in “FM4 Family Peripheral Manual Main Part (002-04856).
- The recovery process is unique for each operating mode. See Chapter 6: Low Power Consumption mode in FM4 Family Peripheral Manual Main Part (002-04856)
- When the power-on reset/low-voltage detection reset, they are not included in the return factor. See 12.4.8 Power-on Reset Timing.
- In recovering from reset, CPU changes to High-speed Run mode. In the case of using the main clock and PLL clock, they need further main clock oscillation stabilization wait time and oscillation stabilization wait time of Main PLL clock.
- Internal resource reset indicates Watchdog reset and CSV reset.

### 13. Ordering Information

| <b>Part Number</b> | <b>Package</b>  |
|--------------------|---|
| S6E2D35G0AGV20000  | Plastic • LQFP (0.5 mm pitch), 120 pin<br>(LQM120)    |
| S6E2D35GJAMV20000  |   |
| S6E2D35J0AGV2000A  | Plastic • LQFP (0.5 mm pitch), 176 pin<br>(LQP176)    |
| S6E2D35G0AGB3000A  | Plastic • FBGA (0.5 mm pitch), 161 pin<br>(FDJ161)    |
| S6E2D35G0AGE20000  | Plastic • Ex-LQFP (0.5 mm pitch), 120 pin<br>(LEM120) |

**14. Package Dimensions**

| Package Type | Package Code |
|--------------|--------------|
| LQFP 120     | LQM 120      |



| SYMBOL | DIMENSIONS |      |       |
|--------|------------|------|-------|
|        | MIN.       | NOM. | MAX.  |
| A      | —          | —    | 1.70  |
| A1     | 0.05       | —    | 0.15  |
| b      | 0.17       | 0.22 | 0.27  |
| c      | 0.115      | —    | 0.195 |
| D      | 18.00 BSC  |      |       |
| D1     | 16.00 BSC  |      |       |
| e      | 0.50 BSC   |      |       |
| E      | 18.00 BSC  |      |       |
| E1     | 16.00 BSC  |      |       |
| L      | 0.45       | 0.60 | 0.75  |
| θ      | 0°         | —    | 8°    |

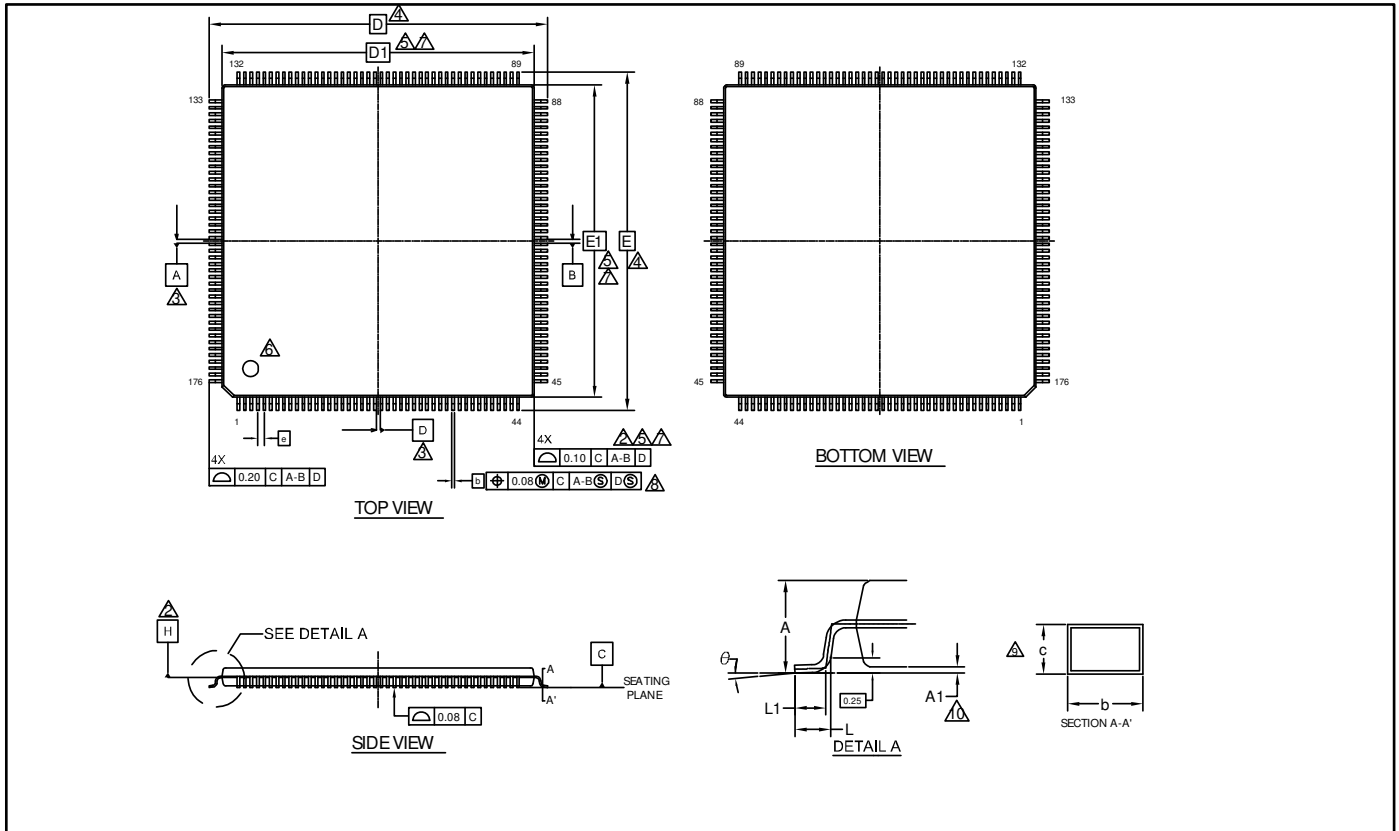
- NOTES**
- ALL DIMENSIONS ARE IN MILLIMETERS.
  - DATUM PLANE H IS LOCATED AT THE BOTTOM OF THE MOLD PARTING LINE COINCIDENT WITH WHERE THE LEAD EXITS THE BODY.
  - DATUMS A-B AND D TO BE DETERMINED AT DATUM PLANE H.
  - TO BE DETERMINED AT SEATING PLANE C.
  - DIMENSIONS D1 AND E1 DO NOT INCLUDE MOLD PROTRUSION. ALLOWABLE PROTRUSION IS 0.25mm PRE SIDE. DIMENSIONS D1 AND E1 INCLUDE MOLD MISMATCH AND ARE DETERMINED AT DATUM PLANE H.
  - DETAILS OF PIN 1 IDENTIFIER ARE OPTIONAL BUT MUST BE LOCATED WITHIN THE ZONE INDICATED.
  - REGARDLESS OF THE RELATIVE SIZE OF THE UPPER AND LOWER BODY SECTIONS. DIMENSIONS D1 AND E1 ARE DETERMINED AT THE LARGEST FEATURE OF THE BODY EXCLUSIVE OF MOLD FLASH AND GATE BURRS. BUT INCLUDING ANY MISMATCH BETWEEN THE UPPER AND LOWER SECTIONS OF THE MOLDER BODY.
  - DIMENSION b DOES NOT INCLUDE DAMBER PROTRUSION. THE DAMBAR PROTRUSION (⊕) SHALL NOT CAUSE THE LEAD WIDTH TO EXCEED b MAXIMUM BY MORE THAN 0.08mm. DAMBAR CANNOT BE LOCATED ON THE LOWER RADIUS OR THE LEAD FOOT.
  - THESE DIMENSIONS APPLY TO THE FLAT SECTION OF THE LEAD BETWEEN 0.10mm AND 0.25mm FROM THE LEAD TIP.
  - A1 IS DEFINED AS THE DISTANCE FROM THE SEATING PLANE TO THE LOWEST POINT OF THE PACKAGE BODY.

11. JEDEC SPECIFICATION NO. REF: N/A.

002-16172 \*\*

PACKAGE OUTLINE 120 LEAD LQFP  
18.0X18.0X1.7 MM LQM120 REV\*\*

| Package Type | Package Code |
|--------------|--------------|
| LQFP 176     | LQP 176      |



| SYMBOL | DIMENSIONS |      |      |
|--------|------------|------|------|
|        | MIN.       | NOM. | MAX. |
| A      | —          | —    | 1.70 |
| A1     | 0.05       | —    | 0.15 |
| b      | 0.17       | 0.22 | 0.27 |
| c      | 0.09       | —    | 0.20 |
| D      | 26.00 BSC  |      |      |
| D1     | 24.00 BSC  |      |      |
| e      | 0.50 BSC   |      |      |
| E      | 26.00 BSC  |      |      |
| E1     | 24.00 BSC  |      |      |
| L      | 0.45       | 0.60 | 0.75 |
| L1     | 0.30       | 0.50 | 0.70 |
| θ      | 0°         | —    | 8°   |

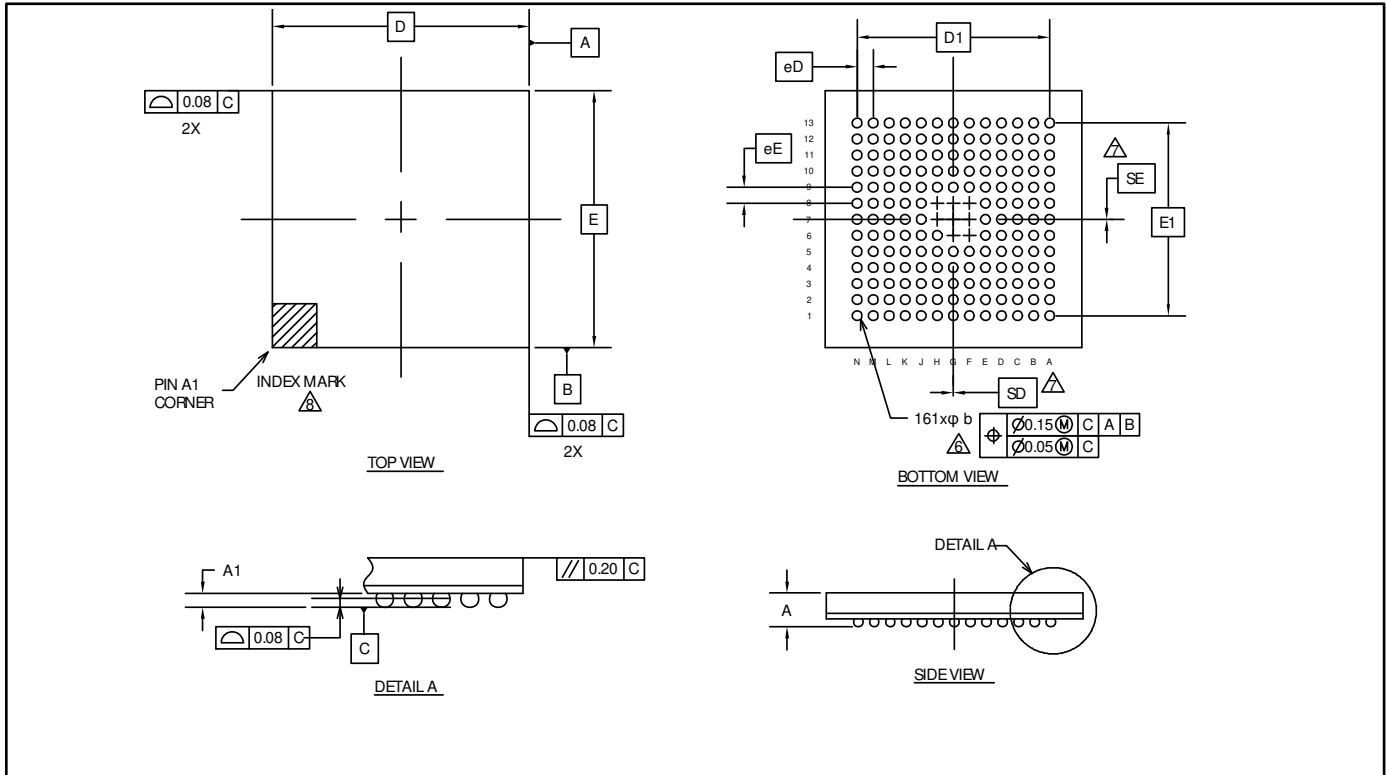
#### NOTES

- ALL DIMENSIONS ARE IN MILLIMETERS.
- DATUM PLANE H IS LOCATED AT THE BOTTOM OF THE MOLD PARTING LINE COINCIDENT WITH WHERE THE LEAD EXITS THE BODY.
- DATUMS A-B AND D TO BE DETERMINED AT DATUM PLANE H.
- TO BE DETERMINED AT SEATING PLANE C.
- DIMENSIONS D1 AND E1 DO NOT INCLUDE MOLD PROTRUSION. ALLOWABLE PROTRUSION IS 0.25mm PRE SIDE.
- DIMENSIONS D1 AND E1 INCLUDE MOLD MISMATCH AND ARE DETERMINED AT DATUM PLANE H.
- DETAILS OF PIN 1 IDENTIFIER ARE OPTIONAL BUT MUST BE LOCATED WITHIN THE ZONE INDICATED.
- REGARDLESS OF THE RELATIVE SIZE OF THE UPPER AND LOWER BODY SECTIONS, DIMENSIONS D1 AND E1 ARE DETERMINED AT THE LARGEST FEATURE OF THE BODY EXCLUSIVE OF MOLD FLASH AND GATE BURRS, BUT INCLUDING ANY MISMATCH BETWEEN THE UPPER AND LOWER SECTIONS OF THE MOLDER BODY.
- DIMENSION b DOES NOT INCLUDE DAMBER PROTRUSION. THE DAMBER PROTRUSION (S) SHALL NOT CAUSE THE LEAD WIDTH TO EXCEED b MAXIMUM BY MORE THAN 0.08mm. DAMBAR CANNOT BE LOCATED ON THE LOWER RADIUS OR THE LEAD FOOT.
- THESE DIMENSIONS APPLY TO THE FLAT SECTION OF THE LEAD BETWEEN 0.10mm AND 0.25mm FROM THE LEAD TIP.
- A1 IS DEFINED AS THE DISTANCE FROM THE SEATING PLANE TO THE LOWEST POINT OF THE PACKAGE BODY.

002-15150 \*\*

PACKAGE OUTLINE, 176 LEAD LQFP  
24.0X24.0X1.7 MM LQP176 REV\*\*

| Package Type | Package Code |
|--------------|--------------|
| FBGA 161     | FDJ 161      |



| SYMBOL  | DIMENSIONS |      |      |
|---------|------------|------|------|
|         | MIN.       | NOM. | MAX. |
| A       | —          | —    | 1.20 |
| A1      | 0.20       | 0.25 | 0.30 |
| D       | 8.00 BSC   |      |      |
| E       | 8.00 BSC   |      |      |
| D1      | 6.00 BSC   |      |      |
| E1      | 6.00 BSC   |      |      |
| MD      | 13         |      |      |
| ME      | 13         |      |      |
| n       | 161        |      |      |
| Φb      | 0.25       | 0.30 | 0.35 |
| eD      | 0.50 BSC   |      |      |
| eE      | 0.50 BSC   |      |      |
| SD / SE | 0.00       |      |      |

### NOTES

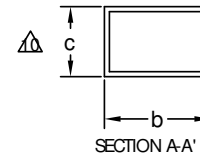
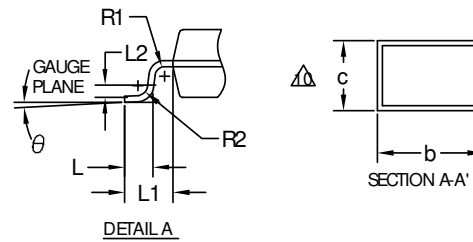
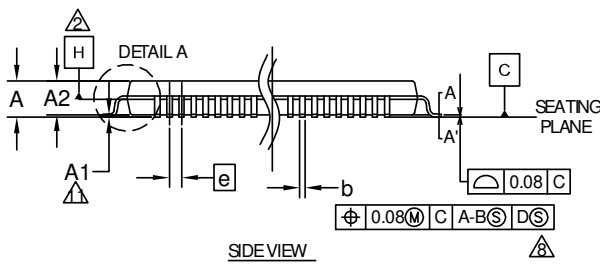
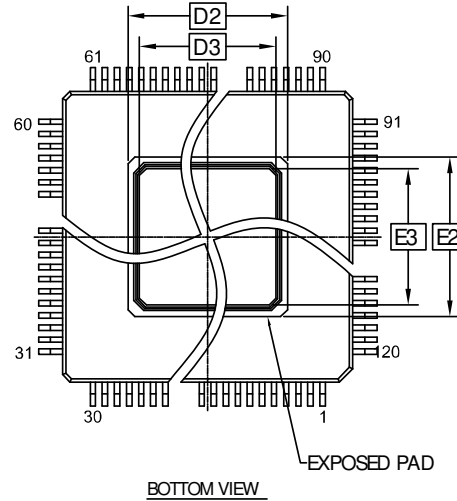
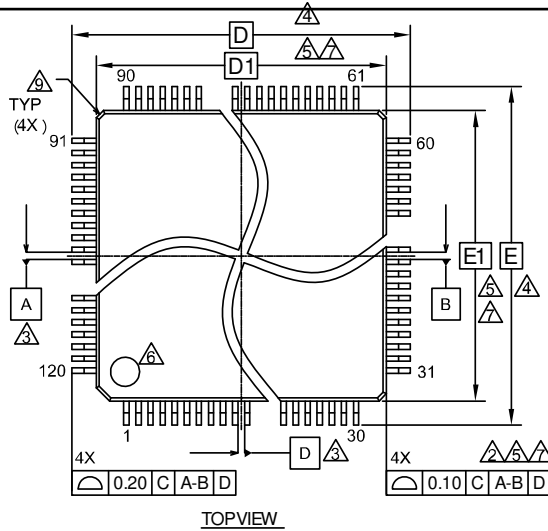
- ALL DIMENSIONS ARE IN MILLIMETERS.
- DIMENSIONS AND TOLERANCES METHODS PER ASME Y14.5-2009. THIS OUTLINE CONFORMS TO JEP95, SECTION 4.5.
- BALL POSITION DESIGNATION PER JEP95, SECTION 3, SPP-010.
- "e" REPRESENTS THE SOLDER BALL GRID PITCH.
- SYMBOL "MD" IS THE BALL MATRIX SIZE IN THE "D" DIRECTION. SYMBOL "ME" IS THE BALL MATRIX SIZE IN THE "E" DIRECTION. n IS THE NUMBER OF POPULATED SOLDER BALL POSITIONS FOR MATRIX SIZE MD X ME.
- DIMENSION "b" IS MEASURED AT THE MAXIMUM BALL DIAMETER IN A PLANE PARALLEL TO DATUM C.
- "SD" AND "SE" ARE MEASURED WITH RESPECT TO DATUMS A AND B AND DEFINE THE POSITION OF THE CENTER SOLDER BALL IN THE OUTER ROW. WHEN THERE IS AN ODD NUMBER OF SOLDER BALLS IN THE OUTER ROW, "SD" OR "SE" = 0. WHEN THERE IS AN EVEN NUMBER OF SOLDER BALLS IN THE OUTER ROW, "SD" = eD/2 AND "SE" = eE/2.
- A1 CORNER TO BE IDENTIFIED BY CHAMFER, LASER OR INK MARK, METALLIZED MARK INDENTATION OR OTHER MEANS.
- "+" INDICATES THE THEORETICAL CENTER OF DEPOPULATED BALLS.
- JEDEC SPECIFICATION NO. REF: N/A.

002-16413 \*\*

PACKAGE OUTLINE 161 BALL FBGA  
8.00X8.00X1.20 MM FDJ161 REV\*\*



|                     |                     |
|---------------------|---------------------|
| <b>Package Type</b> | <b>Package Code</b> |
| Ex-LQFP 120         | LEM 120             |



| SYMBOL | DIMENSION  |      |      |
|--------|------------|------|------|
|        | MIN.       | NOM. | MAX. |
| A      | —          | —    | 1.70 |
| A1     | 0.00       | —    | 0.20 |
| A2     | 1.35       | 1.40 | 1.45 |
| D      | 18.00 BSC. |      |      |
| D1     | 16.00 BSC. |      |      |
| D2     | 6.50 REF   |      |      |
| D3     | 5.30 REF   |      |      |
| E      | 18.00 BSC. |      |      |
| E1     | 16.00 BSC. |      |      |
| E2     | 6.50 REF   |      |      |
| E3     | 5.30 REF   |      |      |
| R1     | 0.08       | —    | —    |
| R2     | 0.08       | —    | 0.20 |
| θ      | 0°         | 4°   | 8°   |
| c      | 0.09       | —    | 0.20 |
| b      | 0.17       | 0.22 | 0.27 |
| L      | 0.45       | 0.60 | 0.75 |
| L1     | 1.00 REF   |      |      |
| L2     | 0.25       |      |      |
| e      | 0.50 BSC.  |      |      |

**NOTES**

- ALL DIMENSIONS ARE IN MILLIMETERS.
- DATUM PLANE H IS LOCATED AT THE BOTTOM OF THE MOLD PARTING LINE COINCIDENT WITH WHERE THE LEAD EXITS THE BODY.
- DATUMS A-B AND D TO BE DETERMINED AT DATUM PLANE H.
- TO BE DETERMINED AT SEATING PLANE C.
- DIMENSIONS D1 AND E1 DO NOT INCLUDE MOLD PROTRUSION. ALLOWABLE PROTRUSION IS 0.25mm PRE SIDE. DIMENSIONS D1 AND E1 INCLUDE MOLD MISMATCH AND ARE DETERMINED AT DATUM PLANE H.
- DETAILS OF PIN 1 IDENTIFIER ARE OPTIONAL BUT MUST BE LOCATED WITHIN THE ZONE INDICATED.
- REGARDLESS OF THE RELATIVE SIZE OF THE UPPER AND LOWER BODY SECTIONS. DIMENSIONS D1 AND E1 ARE DETERMINED AT THE LARGEST FEATURE OF THE BODY EXCLUSIVE OF MOLD FLASH AND GATE BURRS. BUT INCLUDING ANY MISMATCH BETWEEN THE UPPER AND LOWER SECTIONS OF THE MOLDER BODY.
- DIMENSION b DOES NOT INCLUDE DAMBAR PROTRUSION. THE DAMBAR PROTRUSION (S) SHALL NOT CAUSE THE LEAD WIDTH TO EXCEED b MAXIMUM BY MORE THAN 0.08mm. DAMBAR CANNOT BE LOCATED ON THE LOWER RADIUS OR THE LEAD FOOT.
- EXACT SHAPE AND SIZE OF THIS FEATURE IS OPTIONAL.
- THESE DIMENSIONS APPLY TO THE FLAT SECTION OF THE LEAD BETWEEN 0.10mm AND 0.25mm FROM THE LEAD TIP.
- A1 IS DEFINED AS THE DISTANCE FROM THE SEATING PLANE TO THE LOWEST POINT OF THE PACKAGE BODY.

002-12611 \*\*

PACKAGE OUTLINE, 120 LEAD TQFP  
16.0X16.0X1.7 MM LEM120 REV\*\*

## 15. Errata

This chapter describes the errata for S6E2D3 series. Details include errata trigger conditions, scope of impact, available workaround, and silicon revision applicability. Contact your local Cypress Sales Representative if you have questions.

### 15.1 Part Numbers Affected

| Part Number                          |
|--------------------------------------|
| S6E2D35J0AGV20000, S6E2D35J0AGV2000A |

### 15.2 Qualification Status

Product Status: In Production

### 15.3 Errata Summary

This table defines the errata applicability to available devices.

| Items   | Part Number   | Silicon Revision | Fix Status                                      |
|---|---------------|------------------|---|
| SDRAM cannot be used as destination buffer of the GDC | Refer to 15.1 | Rev A            | No silicon fix planned.<br>Workaround required. |

SDRAM cannot be used as destination buffer of the GDC

#### 1. PROBLEM DEFINITION

Unnecessary data is written on the before and after the correct addresses if the GDC writes data to the external SDRAM, the CPU's internal SRAM0, SRAM2, or any memory devices connected to the External Bus Interface.

#### 2. PARAMETERS AFFECTED

N/A

#### 3. TRIGGER CONDITION(S)

The GDC generates either write data that is NOT size of multiples of 8 bytes multiplied by Burst Length or write address that is NOT aligned with 8 bytes multiplied by Burst Length to the external SDRAM, the CPU's internal SRAM0, SRAM2, or any memory devices connected to the External Bus Interface. The Burst Length means length of write burst transaction, and you can set it as 2 (16 bytes), or 4 (32 bytes).

#### 4. SCOPE OF IMPACT

The external SDRAM, the CPU's internal SRAM0, SRAM2, or any memory devices connected to the External Bus Interface cannot be used as destination buffer of the GDC.

5. WORKAROUND

Keep Write data size and Base address according as following table when the GDC writes to the external SDRAM, the CPU's internal SRAM0, SRAM2 or any memory devices connected to the External Bus Interface.

| <b>Burst Length for write access</b> | <b>Write data size</b> | <b>Base address alignment for write data</b>             |
|--------------------------------------|------------------------|--|
| 2                                    | Multiples of 16 bytes  | 16 bytes aligned address. E.g. 0xB000_0010, 0xB000_0020. |
| 4                                    | Multiples of 32 bytes  | 32 bytes aligned address. E.g. 0xB000_0020, 0xB000_0040. |

6. FIX STATUS

There is no fix planned. The workaround listed above should be used.

**16. Major Changes**

Spancion Publication Number: DS709-00023

| Page                              | Section  | Change Results  |
|-----------------------------------|--|---|
| Revision 0.1                      |  |   |
| -                                 | -  | Initial release   |
| Revision 1.0                      |  |   |
| 1, 3<br>13, 14<br>15<br>176       | Title<br>3. Product Lineup<br>4. Packages<br>15. Ordering Information  | Deleted the following products.<br>S6E2D35JAA/ S6E2D35GAA   |
| 6                                 | 2. Features<br>External Bus Interface  | Added the following description:<br><ul style="list-style-type: none"> <li>■ Maximum area size : Up to 256 Mbytes</li> <li>■ Modified the following description:</li> <li>■ 0x6000_0000 to 0xDFFF_FFFF to 0x6000_0000 to 0x7FFF_FFFF</li> </ul> |
| 8                                 | 2. Features  | Modified the ch. Number of I <sup>2</sup> C ( ch.7→ch.4)  |
| 15<br>16<br>20 to 52<br>81<br>176 | 4. Packages<br>5. Pin Assignment<br>6. Pin Descriptions<br>14.2. Recommended Operating<br>15. Ordering Information | Added the Ex-LQFP(TEQFP)(LEM120)  |
| 53                                | 7. I/O Circuit Type  | Modified the Type-A Circuit   |
| 54,55,58                          | 7. I/O Circuit Type  | Added the comment in TypeD/E/F/G/N  |
| 59                                | 7. I/O Circuit Type  | <ul style="list-style-type: none"> <li>■ Modified the Type-Q Remarks<br/>CMOS level output → CMOS level hysteresis input</li> </ul>   |
| 67                                | 10. Block Diagram  | Deleted the following products.<br><ul style="list-style-type: none"> <li>■ S6E2D35JAA/ S6E2D35GAA</li> </ul>   |
| 68                                | 12. Memory Map   | Modified the External Device Area / GDC Area  |
| 80<br>163                         | 14.2. Recommended Operating<br>14.5 12-bit A/D Converter   | Added the AVRL in Analog reference voltage.   |
| 82                                | 14.2. Recommended Operating  | Modified the TBD in Current Value<br>Added the Note   |
| 84 to 93                          | 14.3.1 Current Rating  | Modified the TBD in Max spec<br>Added the comment of VFLASH memory  |
| 93                                | 14.3.1 Current Rating<br>Table 14-11   | Added the VFLASH memory current   |
| 95                                | 14.4 AC Characteristics<br>14.4.1 Main Clock Input   | Added the Master clock  |
| 97                                | 14.4 AC Characteristics<br>14.4.5 Operating Conditions   | Modified the I <sup>2</sup> S PLL frequency (307.2→384)<br>Modified the GDC clock frequency (400→160)   |
| 163                               | 14.5 12-bit A/D Converter  | Modified the Spec<br>Modified the comment of Conversion time  |
| 170                               | 14.7.2 Interrupt of Low-Voltage<br>Detection   | Modified the max value in LVD stabilization wait time. (6000→4800)  |
| 171                               | 14.9 VFLASH Memory   | Added the new   |
| 176                               | 15. Ordering Information   | Modified the Part Number (S6E2D35G0AGB10000→<br>S6E2D35G0AGB30000)<br>Added the Package (Ex_LQFP)   |
| 179, 180                          | 16. Package Dimensions   | Added the FDJ161/LEM120   |

**NOTE: Please see "Document History" about later revised information.**

**Document History**

**Document Title: S6E2D3 Series 32-bit ARM® Cortex®-M4F, FM4 Microcontroller**  
**Document Number: 002-03984**

| Revision | ECN     | Orig. of Change | Submission Date | Description of Change  |
|----------|---------|-----------------|-----------------|--|
| **       | -       | AKIH            | 04/21/2015      | New Spec.  |
| *A       | 5123103 | SHOY            | 03/04/2016      | <p>Added CCS/CCB settings in 7. HandlingDevices (Page58) and Table 12-10 Typical...*6,*7 (page 85).</p> <p>Changed PN: S6E2DH5G0AGZ20000 to S6E2DH5G0AGE20000 in 13. Ordering... (Page 172).</p> <p>Changed "GE_SPCSX_0" to "GE_SPCSX0" in 3. PinAssignment (Page 9, 11), 4. PinDescriptions (Page16, 42), 8. BlockDiagram (Page 61) and 12.4.21 GDC: ... (Page 154,155)</p> <p>Changed "GE_HBCSX_0" to "GE_HBCSX0" in 3. PinAssignment (Page 9, 11), 4. PinDescriptions (Page 16, 42) , 8. BlockDiagram (Page 61) and 12.4.22 GDC: ... (Page 156,157)</p> <p>Changed "GE_HBCSX_1" to "GE_HBCSX1" in 3. PinAssignment (Page 9, 11), 4. PinDescriptions (Page 14, 42), 8. BlockDiagram (Page 61) and 12.4.22 GDC: ... (Page 156,157)</p> <p>Updated VFLASH memory Standby current value to 35uA in Table 12-11 Typical... (Page 86).</p> <p>Changed "Ex_LQFP" to "Ex-LQFP" in 2. Packages (Page 8), 4. Pin Descriptions (Page 13 to 46), 12.2 Recommended... (Page 74) and 13. Ordering... (Page 172).</p> <p>Changed "VMAKEUP" to "VWAKEUP" in 8. BlockDiagram (Page 61).</p> <p>Changed "HW flow control (ch. 4, 5)" to "HW flow control (ch. 4)" in 8. BlockDiagram (Page 61).</p> <p>Added "(N.C.): Do not connect anything" in 3. Pin Assignment (Page 10).</p> <p>Added the Note in 4. Pin Descriptions (Page 46).</p> <p>Added Function of PNL_TSIG in 4. Pin Descriptions (Page 43).</p> <p>Changed "PFBGA" to "FBGA" in 12.2 Recommended... (Page 74) and 13. Ordering... (Page 172).</p> <p>New added errata in 15. Errata (Page 177 to 178).</p> |
| *B       | 5634638 | YSKA            | 02/21/2016      | <p>Changed an explanation from "from 01 to 99" to "from 00 to 99" in Real-Time Clock (RTC) (Page 3) of Features.</p> <p>Added an explanation in Notes on Power-on (Page 60) of <a href="#">7. Handling Devices</a>.</p> <p>Changed "VBAT Power-on Reset" to "Power-on Reset" in List of VBAT Domain Pin Status (Page 71) of <a href="#">11. Pin Status in Each CPU State</a>, and Added Remark *1.</p> <p>Added Remark *8 in <a href="#">Table 12-10 Typical and Maximum Current Consumption in Deep Standby Stop Mode, Deep Standby RTC Mode and VBAT</a> (Page 85).</p> <p>Changed Parameter "Power supply rising time (t<sub>VCCR</sub>)" to "Power ramp rate (dV/dt)" in <a href="#">12.4.8 Power-on Reset Timing</a> (Page 92), Changed the minimum to 0.6mV/μs, Changed the maximum to 1000mV/μs, and Added Remarks and Note.</p>  |

| Revision | ECN | Orig. of Change | Submission Date | Description of Change  |
|----------|-----|-----------------|-----------------|--|
|          |     |                 |                 | <p>Deleted setting value "SPI=1" and "MS=0" at using chip select in <a href="#">12.4.12 CSIO Timing</a>, and Added "MS bit = 0" and "MS bit = 1" on the Figure (Page 113 to 120, Page 129 to 136).</p> <p>Deleted following Part Numbers from <a href="#">13. Ordering Information</a> (Page 172).<br/>S6E2D35J0AGV20000, S6E2D35G0AGB30000</p> <p>Added following Part Numbers to <a href="#">13. Ordering Information</a> (Page 172).<br/>S6E2D35J0AGV2000A, S6E2D35G0AGB3000A</p> <p>Updated figures in <a href="#">14.Package Dimensions</a> (Page 173 to 176).</p> <p>Added following Part Numbers to <a href="#">15. Errata</a> (Page 177).<br/>S6E2D35J0AGV2000A</p> <p>Deleted Baud rate spec for High-Speed Synchronous Serial in "12.4.12 CSIO Timing"(Page 121-127)</p> |

## Sales, Solutions, and Legal Information

### Worldwide Sales and Design Support

Cypress maintains a worldwide network of offices, solution centers, manufacturer's representatives, and distributors. To find the office closest to you, visit us at [Cypress Locations](#).

#### Products

|                               |  |
|-------------------------------|--|
| ARM® Cortex® Microcontrollers | <a href="http://cypress.com/arm">cypress.com/arm</a>               |
| Automotive                    | <a href="http://cypress.com/automotive">cypress.com/automotive</a> |
| Clocks & Buffers              | <a href="http://cypress.com/clocks">cypress.com/clocks</a>         |
| Interface                     | <a href="http://cypress.com/interface">cypress.com/interface</a>   |
| Internet of Things            | <a href="http://cypress.com/iot">cypress.com/iot</a>               |
| Memory                        | <a href="http://cypress.com/memory">cypress.com/memory</a>         |
| Microcontrollers              | <a href="http://cypress.com/mcu">cypress.com/mcu</a>               |
| PSoC                          | <a href="http://cypress.com/psoc">cypress.com/psoc</a>             |
| Power Management ICs          | <a href="http://cypress.com/pmic">cypress.com/pmic</a>             |
| Touch Sensing                 | <a href="http://cypress.com/touch">cypress.com/touch</a>           |
| USB Controllers               | <a href="http://cypress.com/usb">cypress.com/usb</a>               |
| Wireless/RF                   | <a href="http://cypress.com/wireless">cypress.com/wireless</a>     |

#### PSoC® Solutions

[PSoC 1](#) | [PSoC 3](#) | [PSoC 4](#) | [PSoC 5LP](#)

#### Cypress Developer Community

[Forums](#) | [WICED IOT Forums](#) | [Projects](#) | [Video](#) | [Blogs](#) | [Training](#) | [Components](#)

#### Technical Support

[cypress.com/support](http://cypress.com/support)

ARM and Cortex are the registered trademarks of ARM Limited in the EU and other countries.

All other trademarks or registered trademarks referenced herein are the property of their respective owners.

© Cypress Semiconductor Corporation, 2015-2017. This document is the property of Cypress Semiconductor Corporation and its subsidiaries, including Spansion LLC ("Cypress"). This document, including any software or firmware included or referenced in this document ("Software"), is owned by Cypress under the intellectual property laws and treaties of the United States and other countries worldwide. Cypress reserves all rights under such laws and treaties and does not, except as specifically stated in this paragraph, grant any license under its patents, copyrights, trademarks, or other intellectual property rights. If the Software is not accompanied by a license agreement and you do not otherwise have a written agreement with Cypress governing the use of the Software, then Cypress hereby grants you a personal, non-exclusive, nontransferable license (without the right to sublicense) (1) under its copyright rights in the Software (a) for Software provided in source code form, to modify and reproduce the Software solely for use with Cypress hardware products, only internally within your organization, and (b) to distribute the Software in binary code form externally to end users (either directly or indirectly through resellers and distributors), solely for use on Cypress hardware product units, and (2) under those claims of Cypress's patents that are infringed by the Software (as provided by Cypress, unmodified) to make, use, distribute, and import the Software solely for use with Cypress hardware products. Any other use, reproduction, modification, translation, or compilation of the Software is prohibited.

TO THE EXTENT PERMITTED BY APPLICABLE LAW, CYPRESS MAKES NO WARRANTY OF ANY KIND, EXPRESS OR IMPLIED, WITH REGARD TO THIS DOCUMENT OR ANY SOFTWARE OR ACCOMPANYING HARDWARE, INCLUDING, BUT NOT LIMITED TO, THE IMPLIED WARRANTIES OF MERCHANTABILITY AND FITNESS FOR A PARTICULAR PURPOSE. To the extent permitted by applicable law, Cypress reserves the right to make changes to this document without further notice. Cypress does not assume any liability arising out of the application or use of any product or circuit described in this document. Any information provided in this document, including any sample design information or programming code, is provided only for reference purposes. It is the responsibility of the user of this document to properly design, program, and test the functionality and safety of any application made of this information and any resulting product. Cypress products are not designed, intended, or authorized for use as critical components in systems designed or intended for the operation of weapons, weapons systems, nuclear installations, life-support devices or systems, other medical devices or systems (including resuscitation equipment and surgical implants), pollution control or hazardous substances management, or other uses where the failure of the device or system could cause personal injury, death, or property damage ("Unintended Uses"). A critical component is any component of a device or system whose failure to perform can be reasonably expected to cause the failure of the device or system, or to affect its safety or effectiveness. Cypress is not liable, in whole or in part, and you shall and hereby do release Cypress from any claim, damage, or other liability arising from or related to all Unintended Uses of Cypress products. You shall indemnify and hold Cypress harmless from and against all claims, costs, damages, and other liabilities, including claims for personal injury or death, arising from or related to any Unintended Uses of Cypress products.

Cypress, the Cypress logo, Spansion, the Spansion logo, and combinations thereof, WICED, PSoC, CapSense, EZ-USB, F-RAM, and Traveo are trademarks or registered trademarks of Cypress in the United States and other countries. For a more complete list of Cypress trademarks, visit [cypress.com](http://cypress.com). Other names and brands may be claimed as property of their respective owners.