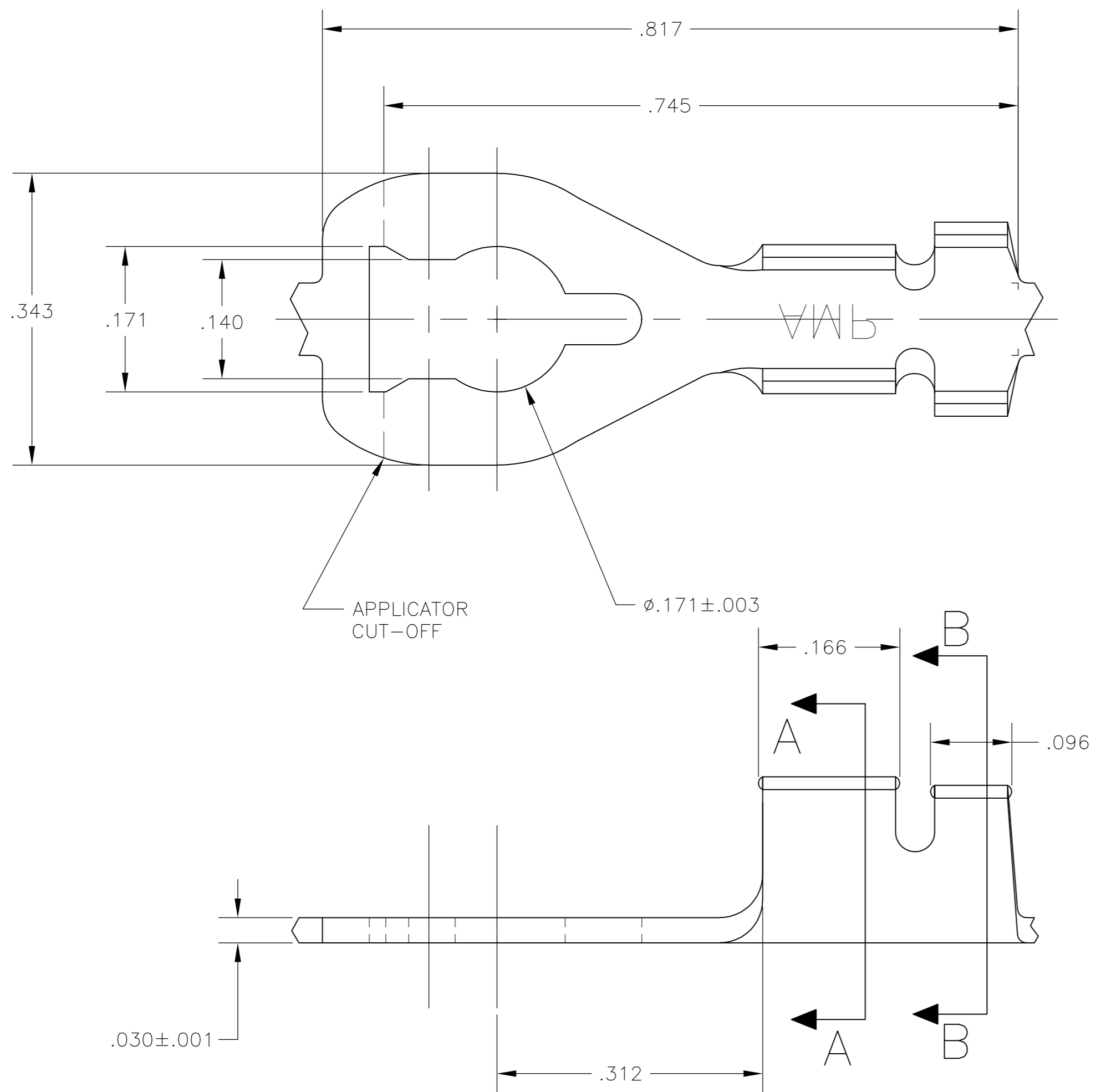
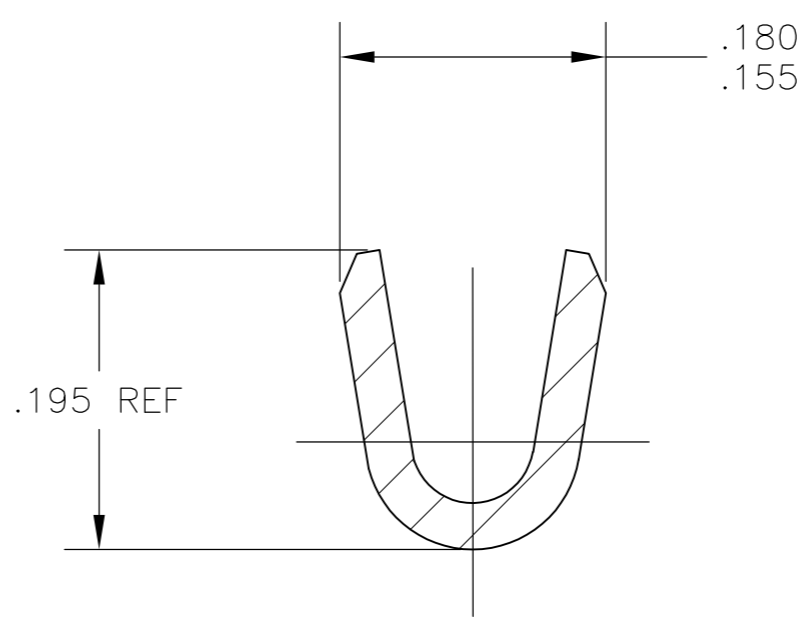


THIS DRAWING IS UNPUBLISHED. RELEASED FOR PUBLICATION
 © COPYRIGHT BY TYCO ELECTRONICS CORPORATION. ALL INTERNATIONAL RIGHTS RESERVED.

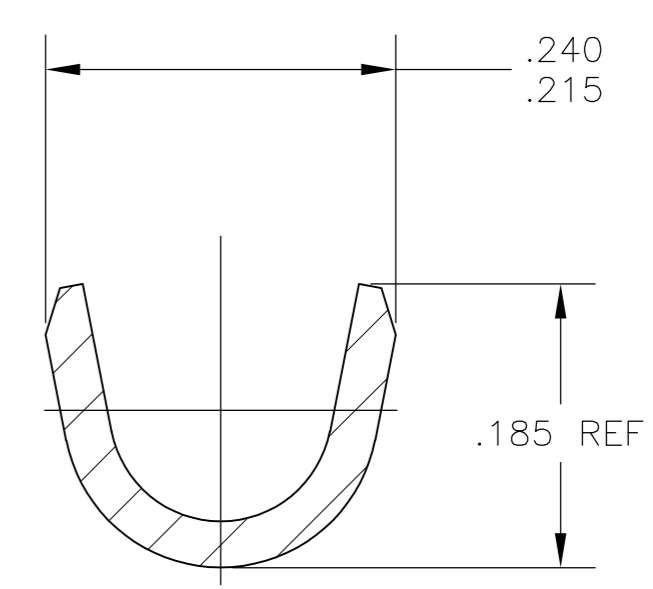
LOC		DIST		REVISIONS			
P	LTR	DESCRIPTION		DATE	DWN	APVD	
AF	50	J		REVISED PER ECR-10-006099	09JUL10	HMR	PD



1. CONTINUOUS STRIP ON REELS.
2. WIRE RANGE: #16-#12 AWG.
3. INSULATION RANGE: .110-.150 DIA.



SECTION A-A



SECTION B-B

62795-1
 PART NUMBER

THIS DRAWING IS A CONTROLLED DOCUMENT.		DWN MICHAEL S. FEHER 03AUG2004	Tyco Electronics Corporation Harrisburg, PA 17105-3608	
DIMENSIONS: INCHES		CHK DONALD F. DECKER 03AUG2004	NAME TERMINAL, SPRING SPADE, #8 STUD SIZE (M4)	
TOLERANCES UNLESS OTHERWISE SPECIFIED: 0 PLC ± - 1 PLC ± - 2 PLC ± - 3 PLC ± .015 4 PLC ± - ANGLES ± -		APVD DONALD F. DECKER 03AUG2004	DRAWING NO A2 00779 C=62795	
MATERIAL H04 BRASS		FINISH TIN	WEIGHT -	RESTRICTED TO -
CUSTOMER DRAWING		SCALE 10:1	SHEET 1 of 1	REV J