

PART NAME: KNOB

SCALE: 1:1

DATE: 4/10/13

DR. BY: JAM

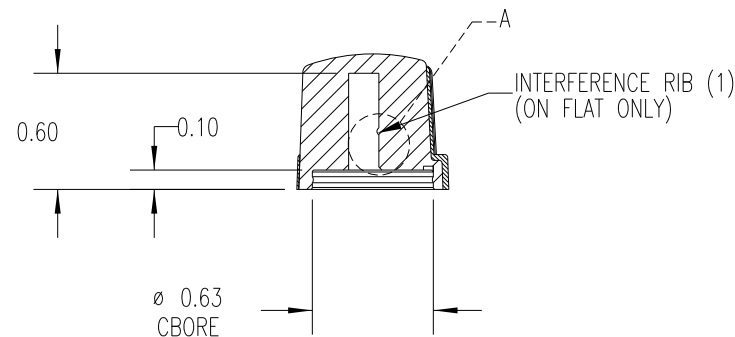
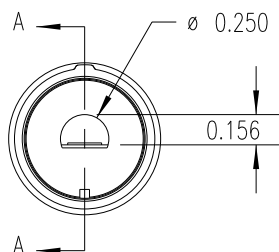
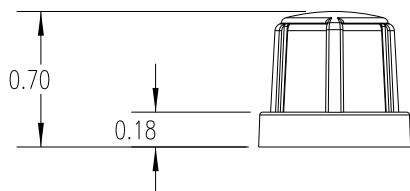
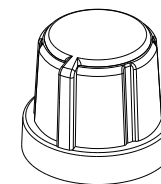
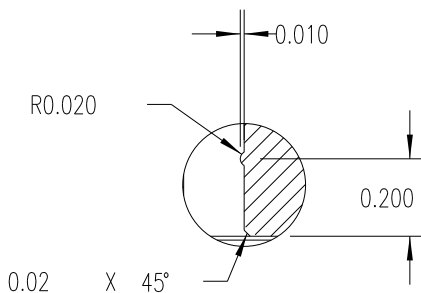
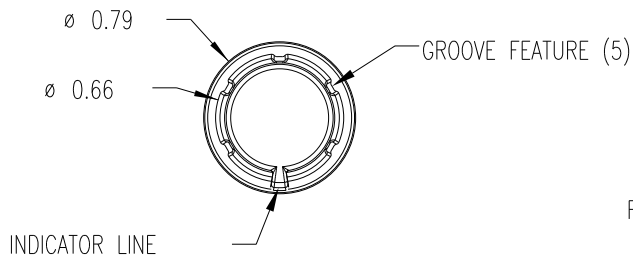


DESIGNERS & MANUFACTURERS
OF KNOBS, HANDLENDS, CAPS &
CUSTOM PLASTIC COMPONENTS

P/N 1231-K

THIS DRAWING IS THE PROPERTY OF DAVIES MOLDING COMPANY, IS SUBMITTED SOLELY AS A DESIGN OR ENGINEERING PROJECT.
WE ACCEPT NO RESPONSIBILITY WHATSOEVER FOR THE PRACTICAL APPLICATION OF THE PIECES MADE TO THIS DESIGN.

MOLD #	1231
CAVITY	1231
CORE	1231
PIN	1231-K



SUBSTRATE MATERIAL: POLYPROPYLENE (CLD)
COLOR: WHITE (PC23083)

OVERMOLD MATERIAL: TPE (TPE3)
COLOR: BLACK

TOLERANCES: UNLESS OTHERWISE SPECIFIED	DO NOT SCALE DRAWING			
DECIMALS: X.XXX ± .005 X.XX ± .015	MM: X.XX ± 0.15MM X.X ± 0.4MM	-	WAS SK1231-05	JAM 4/10/13
FRACTIONS ± 1/64	ANG. ± 1°	CHANGES		