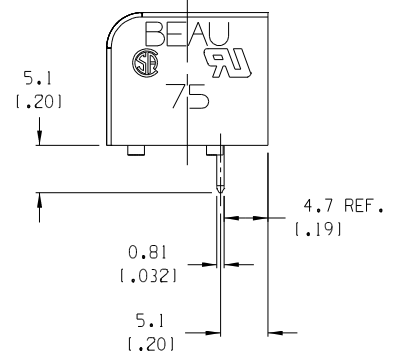
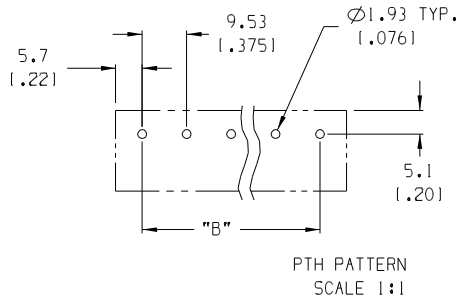
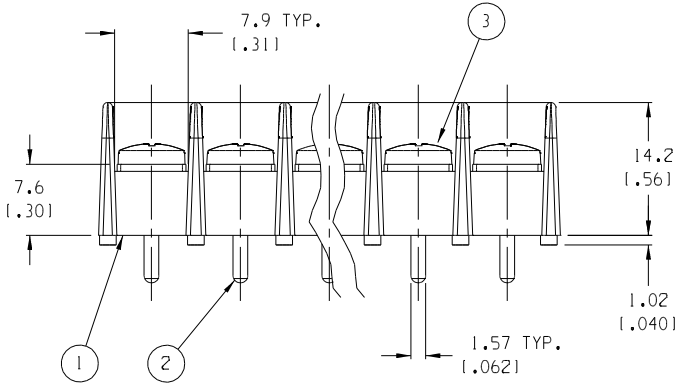
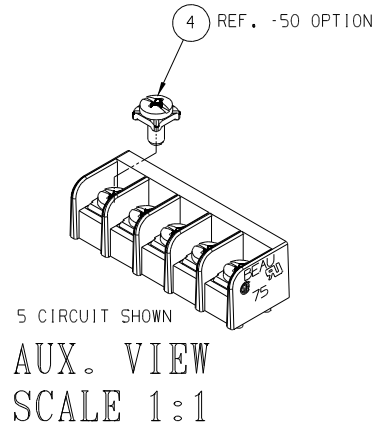
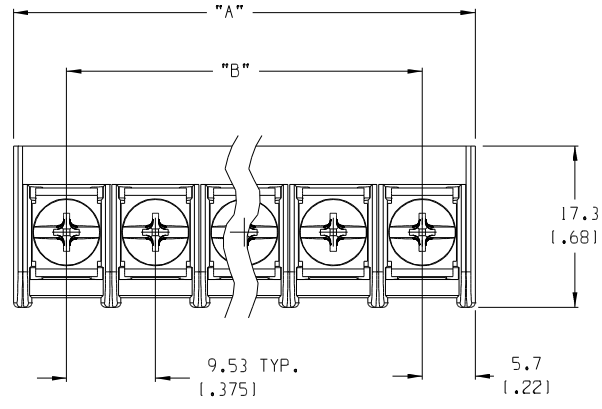


| NO. OF CIRC. | DIM "A" | DIM "B" | MATERIAL NO. -C, -P OPT. | MATERIAL NO. -C, -P, -50 OPT. |
|--------------|--------------|----------------|--------------------------|-------------------------------|
| 02 | 20.9 [0.82] | 9.53 [1.375] | 387506602 | 387507802 |
| 03 | 30.4 [1.20] | 19.05 [1.750] | 387506603 | 387507803 |
| 04 | 39.9 [1.57] | 28.58 [1.125] | 387506604 | 387507804 |
| 05 | 49.5 [1.95] | 38.10 [1.500] | 387506605 | 387507805 |
| 06 | 59.0 [2.32] | 47.63 [1.875] | 387506606 | 387507806 |
| 07 | 68.5 [2.70] | 57.15 [2.250] | 387506607 | 387507807 |
| 08 | 78.0 [3.07] | 66.68 [2.625] | 387506608 | 387507808 |
| 09 | 87.6 [3.45] | 76.20 [3.000] | 387506609 | 387507809 |
| 10 | 97.1 [3.82] | 85.73 [3.375] | 387506610 | 387507810 |
| 11 | 106.6 [4.20] | 95.25 [3.750] | 387506611 | 387507811 |
| 12 | 116.1 [4.57] | 104.78 [4.125] | 387506612 | 387507812 |
| 13 | 125.7 [4.95] | 114.30 [4.500] | 387506613 | 387507813 |
| 14 | 135.2 [5.32] | 123.83 [4.875] | 387506614 | 387507814 |
| 15 | 144.7 [5.70] | 133.35 [5.250] | 387506615 | 387507815 |
| 16 | 154.2 [6.07] | 142.88 [5.625] | 387506616 | 387507816 |
| 17 | 163.8 [6.45] | 152.40 [6.000] | 387506617 | 387507817 |
| 18 | 173.3 [6.82] | 161.93 [6.375] | 387506618 | 387507818 |
| 19 | 182.8 [7.20] | 171.45 [6.750] | 387506619 | 387507819 |
| 20 | 192.3 [7.57] | 180.98 [7.125] | 387506620 | 387507820 |
| 21 | 201.9 [7.95] | 190.50 [7.500] | 387506621 | 387507821 |
| 22 | 211.4 [8.32] | 200.03 [7.875] | 387506622 | 387507822 |
| 23 | 220.9 [8.70] | 209.55 [8.250] | 387506623 | 387507823 |
| 24 | 230.4 [9.07] | 219.08 [8.625] | 387506624 | 387507824 |
| 25 | 240.0 [9.45] | 228.60 [9.000] | 387506625 | 387507825 |
| 26 | 249.5 [9.82] | 238.13 [9.375] | 387506626 | 387507826 |



- NOTES:
1. MATERIAL: SEE TABLE
 2. FINISHES: SEE TABLE
 3. PRODUCT SPECIFICATION: NOT REQUIRED
 4. PACKAGING: NOT REQUIRED
 5. MATES WITH: NONE
 6. "XX" REFERS TO QUANTITY OF CIRCUITS

| ITEM | QTY. | DESCRIPTION | MATERIAL | FINISH |
|------|------|--|---------------|--------------------|
| 4 | XX | SCREW W/SO, WASHER, #6-32X.250, PHIL-SLOT, -50 | STEEL | ZN, CLEAR CHROMATE |
| 3 | XX | SCREW, #6-32X.250, BHD, PHIL-SLOT, STD. | STEEL | ZN, CLEAR CHROMATE |
| 2 | XX | TERMINAL, PC | BRASS | TIN PLATE |
| 1 | 1 | INSULATOR | THERMOPLASTIC | BLACK |

| | | | | | | | | | |
|------------------------|-------------------------------|--|------|-------------------------------------|--|---|-----------------------------|---|---------------------|
| EC NO. RELEASED CLY | MAJOR CRITICAL SPC S | GENERAL TOLERANCES: (UNLESS SPECIFIED) | | SCALE 2:1 | DESIGN UNITS <input type="checkbox"/> mm <input checked="" type="checkbox"/> INCH | THIRD ANGLE PROJECTION | PROJECT NO. - | - | - |
| | | mm | INCH | DRAWN BY & DATE C. YORK 06-17-05 | <input checked="" type="checkbox"/> mm <input type="checkbox"/> INCH | DIMENSIONS: <input checked="" type="checkbox"/> mm <input type="checkbox"/> INCH <input type="checkbox"/> mm ONLY | | | |
| REV | DESCRIPTION | 4 PLACES ±.0015 3 PLACES ±.038 ±.005 2 PLACES ±.13 ±.01 1 PLACE ±.3 | | CHECKED BY & DATE | TITLE: 9.53mm [1.375"] SR BTS, PC, CS ASSY, NO MTG, STANDOFF PADS | | REVISE ON CAD ONLY | | |
| A | | ANGULAR: ±2° | | APPROVED BY & DATE | MATERIAL NO. SEE CHART | | DRAWING NO. SD-38750-002 | | SHEET NO. 1 OF 1 |
| | | DRAFT WHERE APPLICABLE MUST REMAIN WITHIN DIMENSIONS | | CAD FILENAME 755XX-C-P | | THIS DRAWING CONTAINS INFORMATION THAT IS PROPRIETARY TO MOLEX INCORPORATED AND SHOULD NOT BE USED WITHOUT WRITTEN PERMISSION. | | | |
| | | | | | | SIZE B | | | |