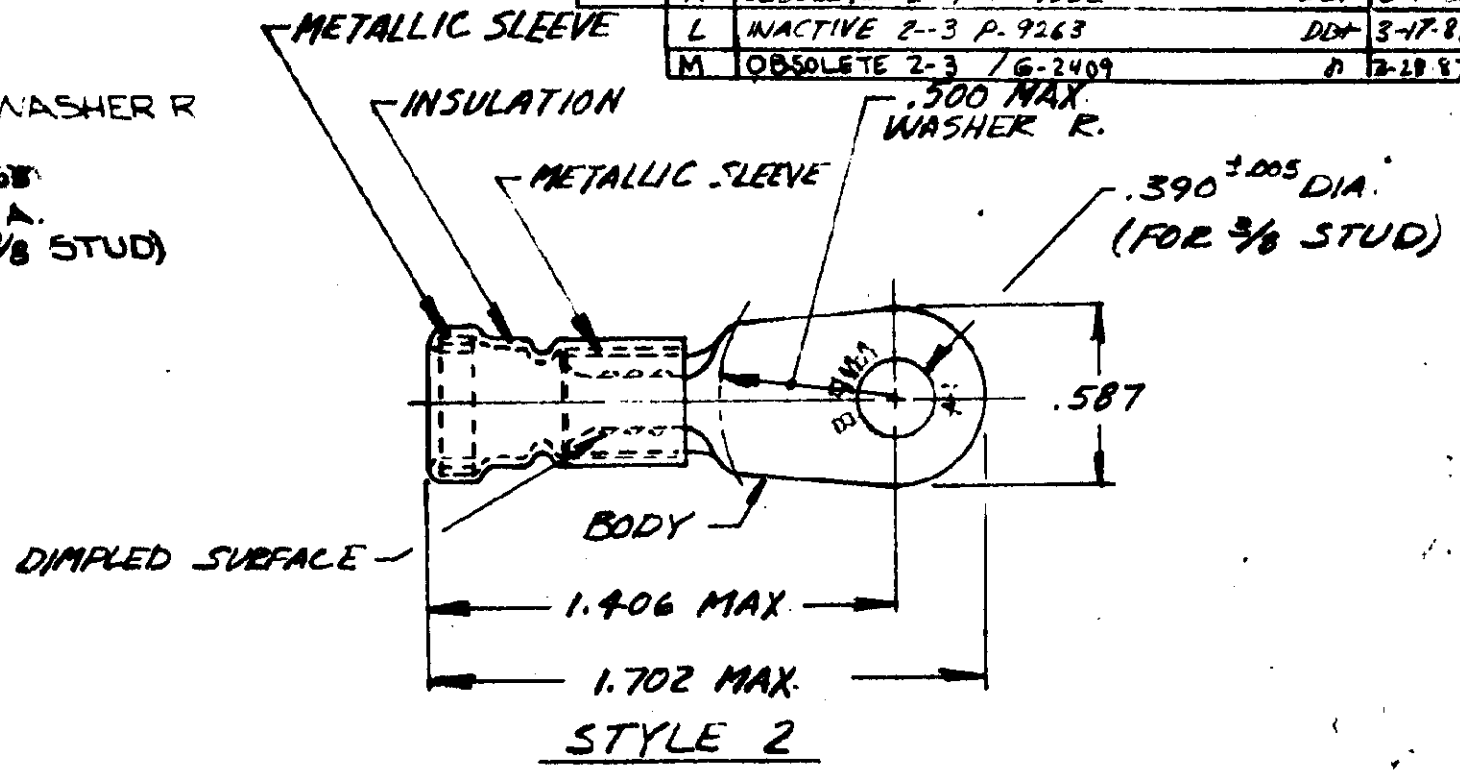
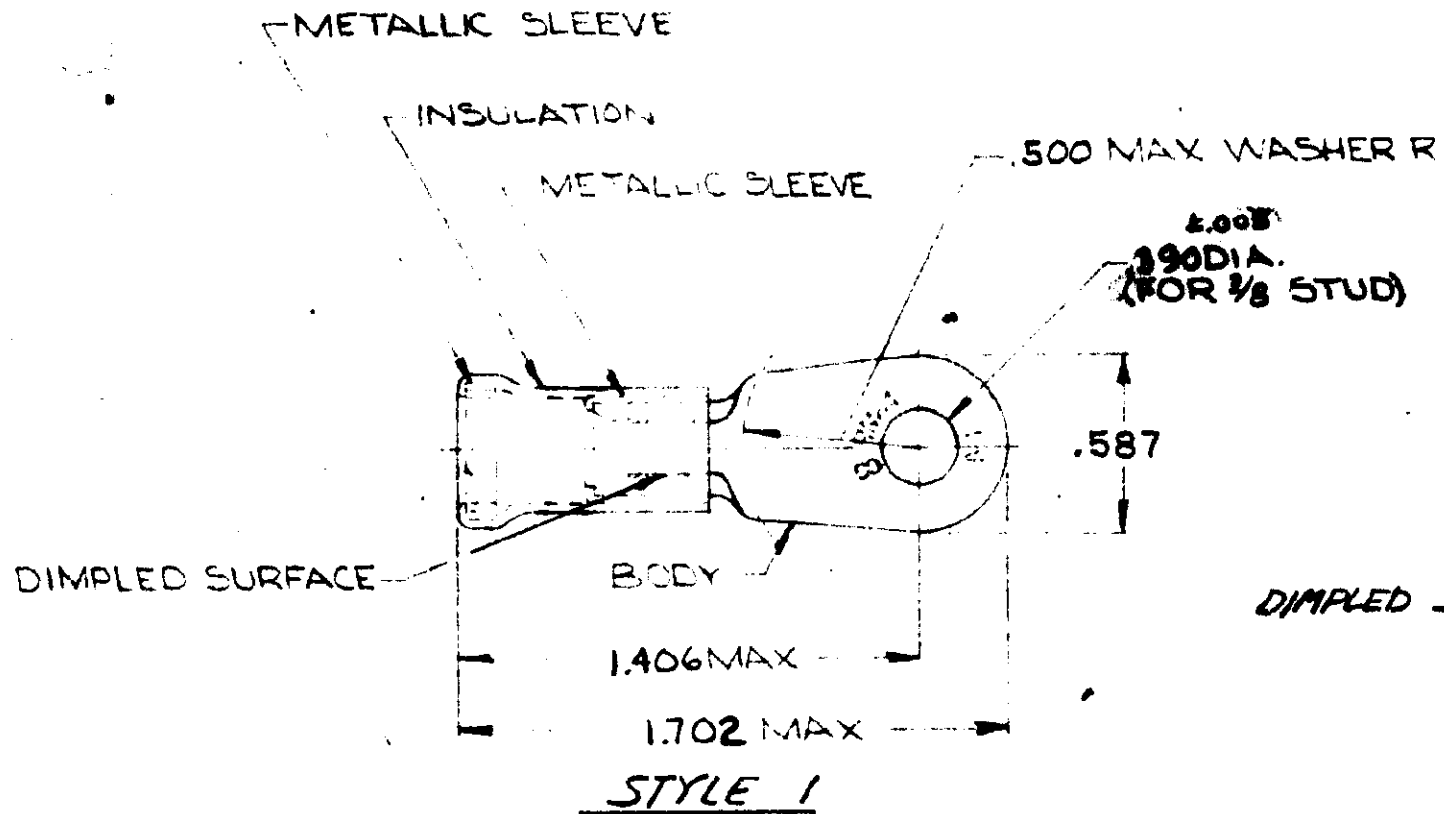


© 1953 BY AMP INCORPORATED. ALL RIGHTS RESERVED. AMP PRODUCTS COVERED BY PATENTS AND/OR PATENTS PENDING.

N REV G-4680 TMS 5-6-88 JT

ZONE	LTR	DESCRIPTION	DATE	APPROVED
G		REDRAWN & REVISED PG5563	1-6-70	JWA
H		REV. PER ECN P-7000	EB	4/9/71
J		REV PER P-8347	REB	9/6/79
K		OBSOLETE 2-1 P-9222	DDT	3-1-82
L		INACTIVE 2-3 P-9263	DDT	3-17-82
M		OBSOLETE 2-3 / G-2409	D	2-28-87



TONGUE MATERIAL THICKNESS = .040^{±.003}
FOR 'A' MAX WIRE INS DIA

TABLE I

QTY	DESCRIPTION	PART NO.	MATERIAL & FINISH
1	WIRE TERMINAL	322004	BODY: COPPER (QQ-C-576) FINISH: (SEE TABLE II) INSULATION: PVC COLOR: RED METALLIC SLEEVE: COPPER (QQ-C-576) METALLIC BAND: STEEL (QQ-S-698) (ASTM A109)

UNLESS OTHERWISE SPECIFIED DIMENSIONS ARE IN INCHES TOLERANCES ON DECIMALS ANGLES	CONTRACT NO.	AMP INCORPORATED HARRISBURG, PENNSYLVANIA
MATERIAL	DR. <i>J. Rantz</i> 11-14-69	
SEE TABLE I	CHK. <i>Mr. [unclear]</i> 1-6-70	
	APPD. <i>Swahel</i> 1-7-70	
	REL. <i>Am. Engineering</i> 1-9-70	
	DSGN APPD.	NAME: WIRE TERMINAL AMPLI-BOND - RING TONGUE WIRE SIZE: 8
	OTHER APPD.	SIZE: B CODE IDENT NO.: 00779 NUMBER: 322004
		SCALE: NTS SHEET: 1 OF 1

PART NO.	FINISH	"A"	PART NO ON TAPE	STYLE
2-322004-2	TIN PL (MIL-T-10727)	.377		1
322004-1	GOLD PL (MIL-G-45204) TYPE II 00005 MIN EXT THK OVER NICKEL PL (QQ-N-290) 00003 MIN EXT THK.	.298	322004-1	1
322004	TIN PL (MIL-T-10727)	.298	322004-1	2