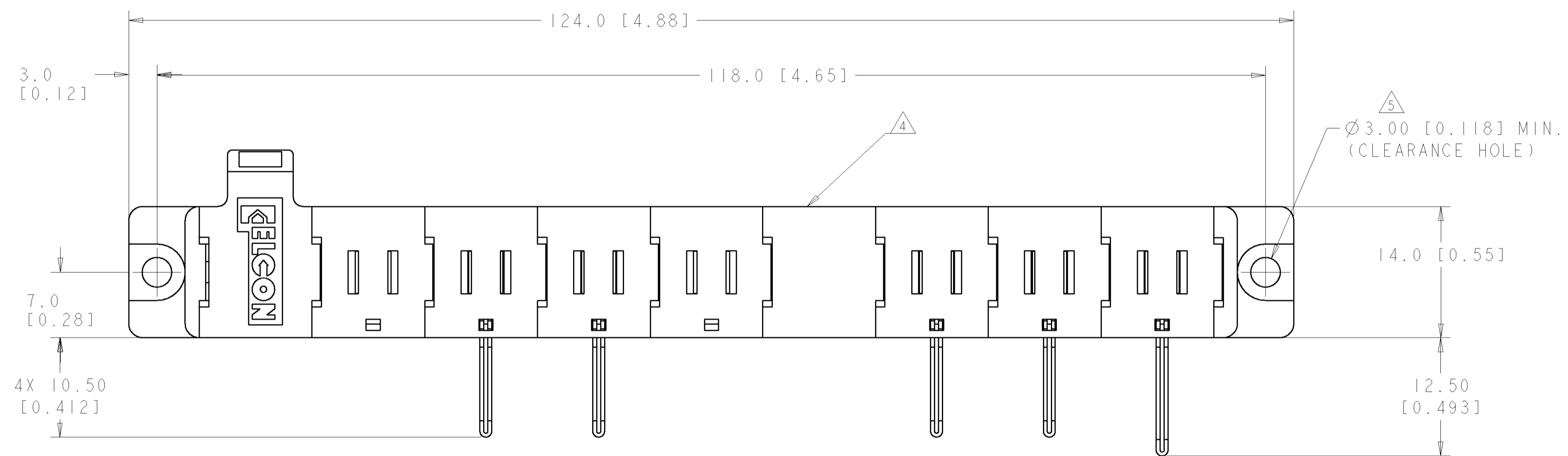


LOC	DIST	REVISIONS			
P	LTR	DESCRIPTION	DATE	DWN	APVD
A		RELEASED	30NOV2006	RG	SF

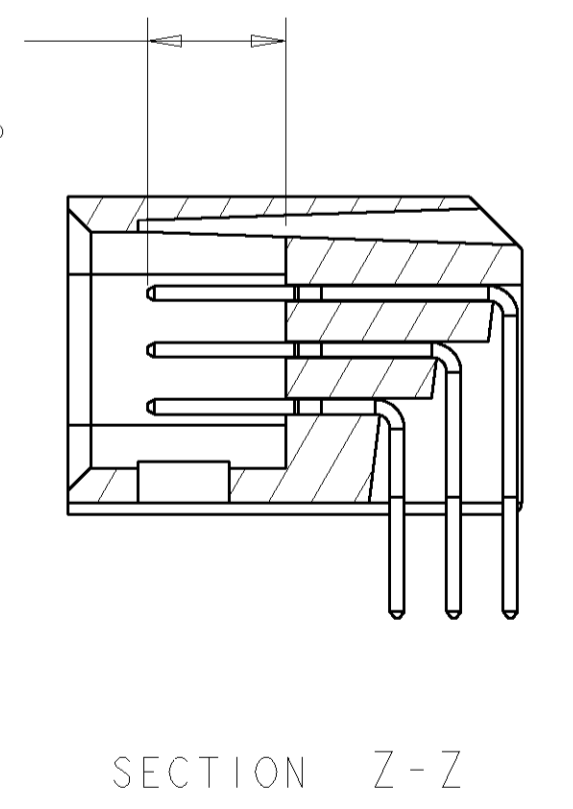
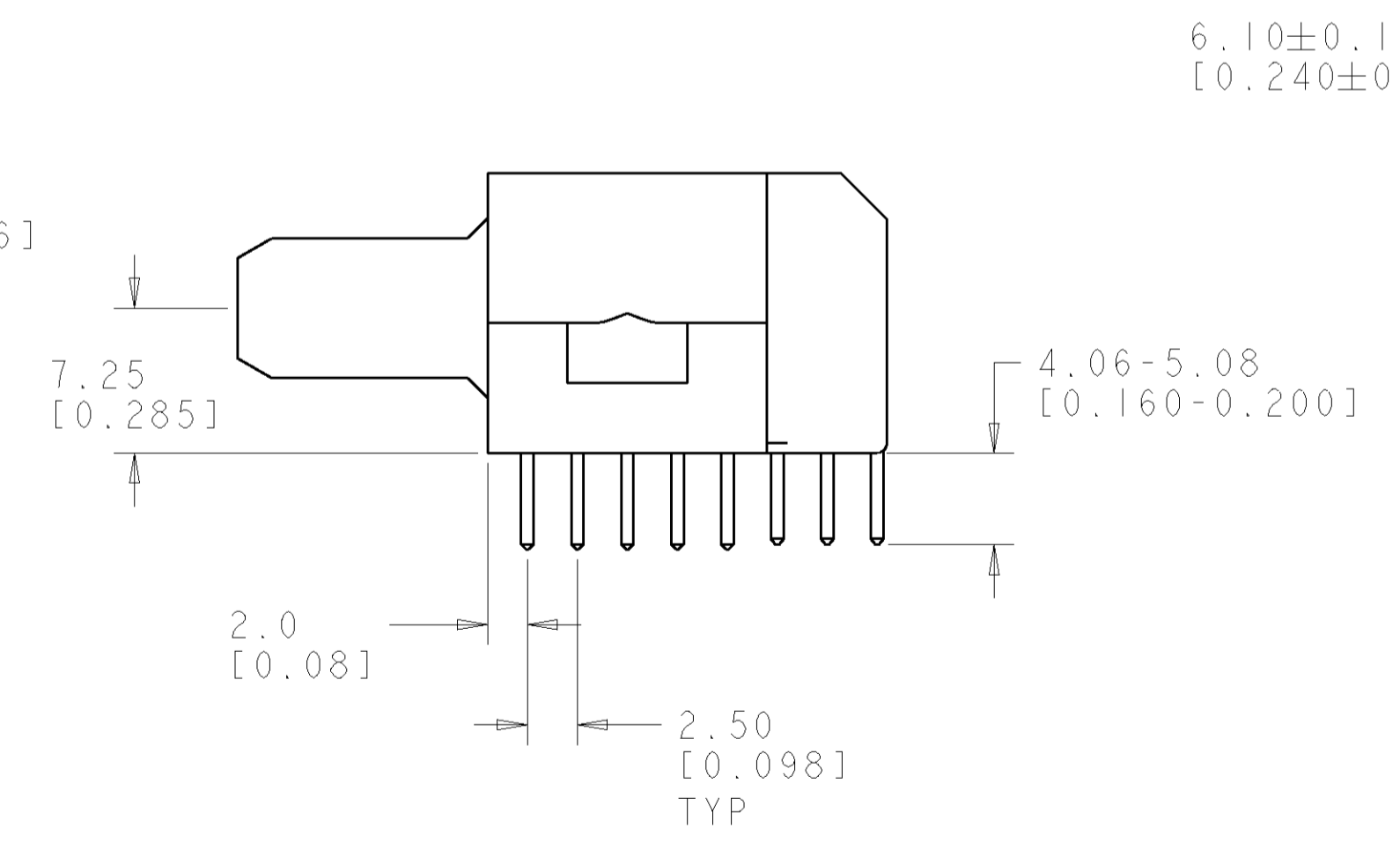
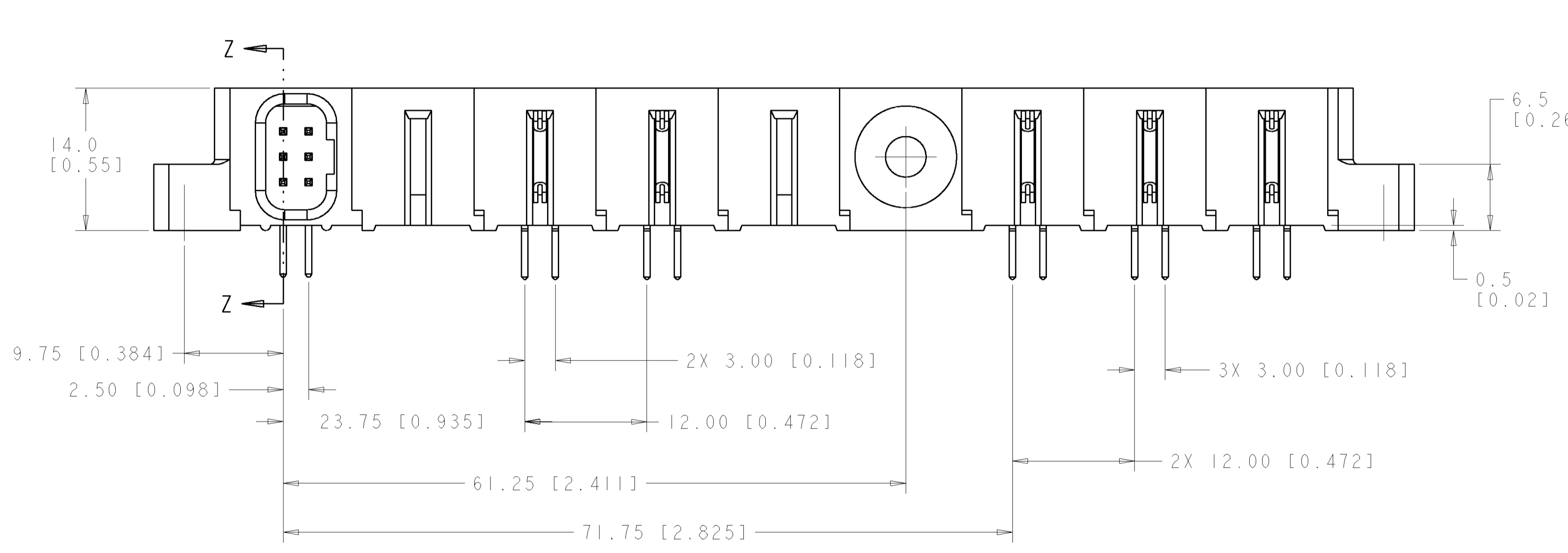


- PART NUMBER CHANGES AND OR DESIGN CHANGES AFFECTING ITEM INTERCHANGEABILITY REQUIRE PRIOR TYCO APPROVAL AND AUTHORIZATION BY REVISION TO THIS DRAWING.
- MATERIAL:
  - INSULATORS - THERMOPLASTIC, GLASS REINFORCED, COLOR: BLACK, UL94V-0 FLAMMABILITY RATED.
  - POWER CONTACTS - PHOSPHOR BRONZE ALLOY, COPPER ALLOY
  - SIGNAL CONTACTS - BRASS ALLOY
  - CROWN BANDS: BERYLLIUM COPPER
- FINISH:
  - CONTACTS - GOLD PLATE .000030" MIN. THK. OVER NICKEL
  - .000050" MIN. THK. SOLDER TAILS,
  - TIN .000100" MIN. THK OVER NICKEL .000050" MIN THK.

4 ITEMS PROVIDED TO THIS SPECIFICATION TO BE PERMANENTLY IDENTIFIED PER THE FOLLOWING IDENTIFIER LABEL

TYCO PART NO. DATE CODE (e.g. 0106)  
 XXXXXXXX-X XXXX

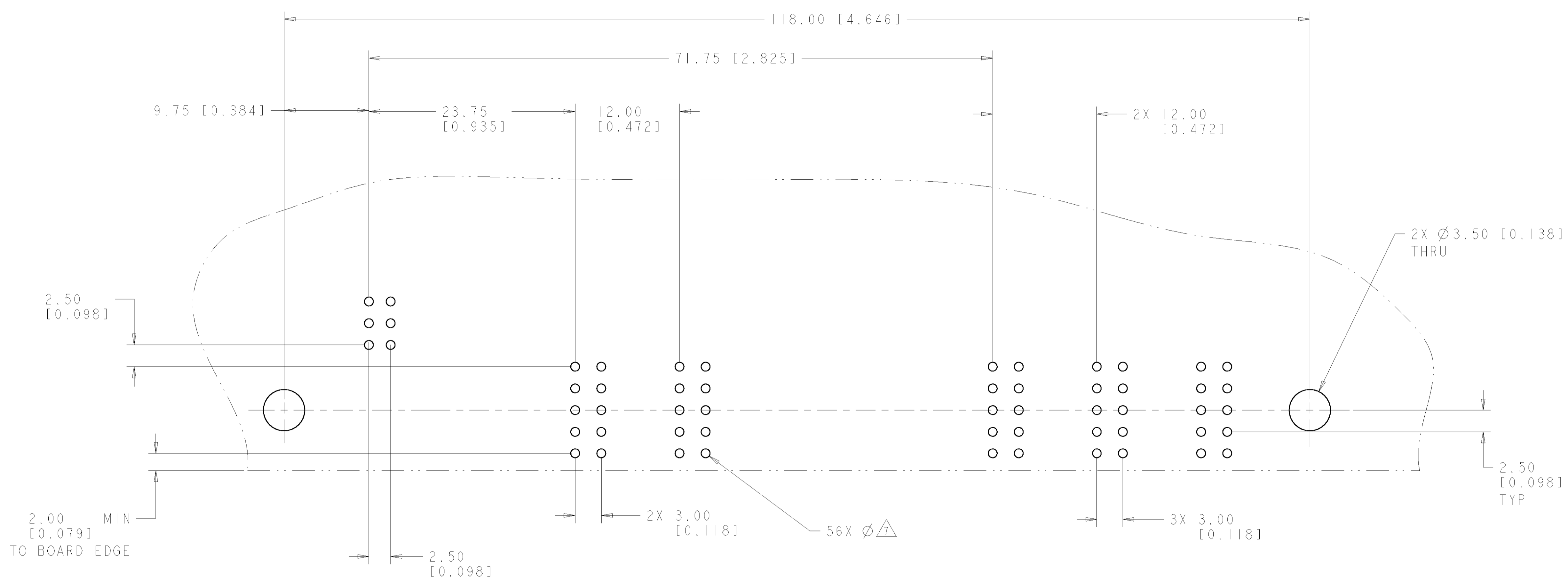
5 MOUNTING FLANGES ACCEPT M3 OR NO.4 SCREWS, (USER SUPPLIED)



ELCON FLATPAQ

AS SHOWN		6646721-1	
DESCRIPTION		PART NUMBER	
DIMENSIONS: mm [INCHES] TOLERANCES UNLESS OTHERWISE SPECIFIED: 0 PLC ±.5 [0.020] 1 PLC ±.5 [0.020] 2 PLC ±.25 [0.010] 3 PLC ±.25 [0.010] 4 PLC ±.25 [0.010] ANGLES ±.5		DWN R. GRZYBOWSKI 28NOV06 ENR S. FLICKINGER 28NOV06 APVD S. FLICKINGER 28NOV06 PRODUCT SPEC - APPLICATION SPEC - WEIGHT - CUSTOMER DRAWING	
MATERIAL - FINISH -		Tyco Electronics Harrisburg, PA 17105-3608 NAME RIGHT ANGLE PIN CONNECTOR SOLDER TAILS AND LAYOUT SIZE CAGE CODE DRAWING NO RESTRICTED TO A 100779 C=6646721 - SCALE 3:1 SHEET 1 OF 3 REV A	

LOC	DIST	REVISIONS					
GP	00	P	LTR	DESCRIPTION	DATE	DRN	APVD
-	-	-	-	SEE SHEET 1	-	-	-



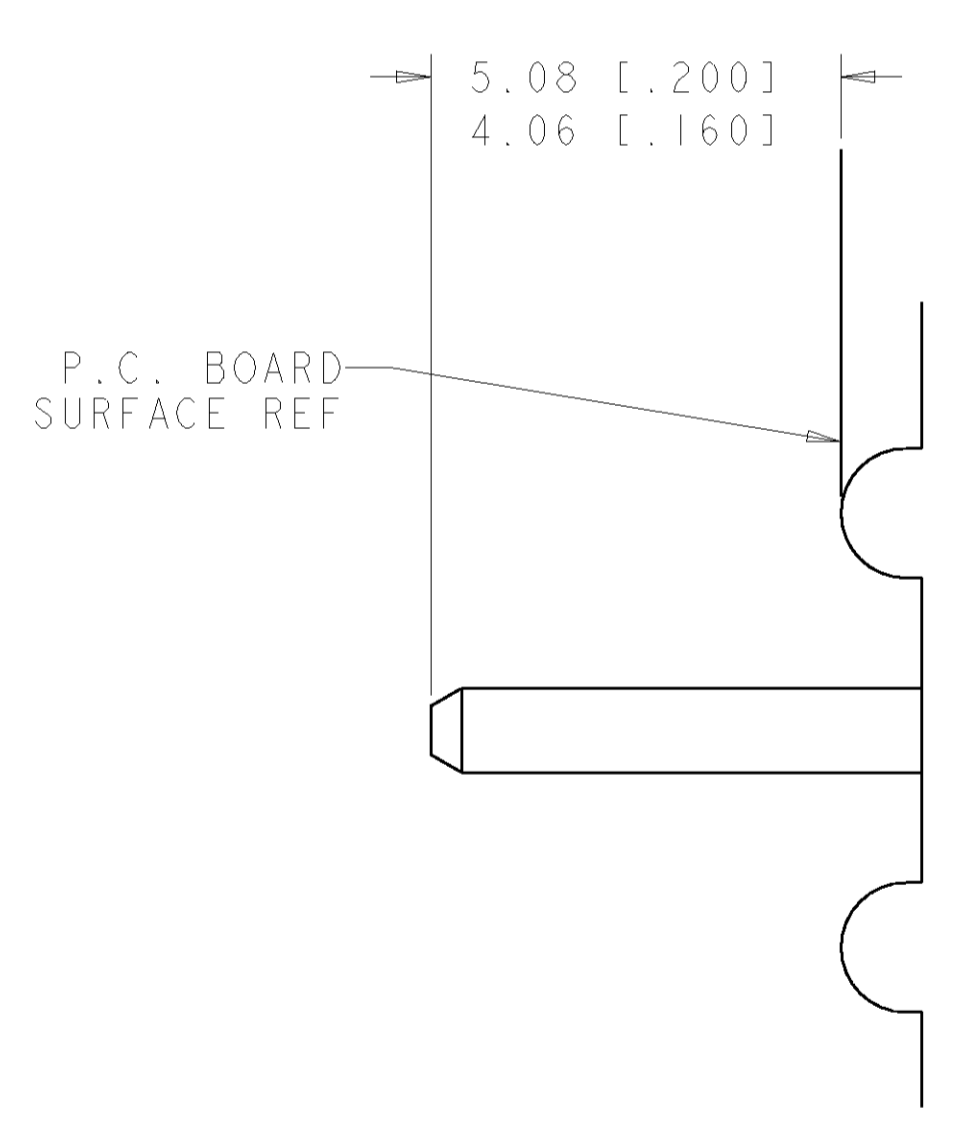
PRINTED CIRCUIT LAYOUT  
 COMPONENT SIDE

CONNECTOR	CATALOG MODULE #	QTY	SIZE NO.	CONTACT QTY	MATING PIN	MAX. CURRENT (PER CONTACT)	CONTACT SPACING	VOLTAGE RATING	
PIN	FPI21	4	8	4	1.25 X 7.00 [.049 X .276]	35 amps	12.00 [.472]	600	
	FPI20	2	-	-	BLANK MODULE				
	FPI22	1	8	1	1.25 X 7.00 [.049 X .276]	35 amps	12.00 [.472]	600	
	FP314	1	22	6	.64 SO. [.025]	3 amps	2.50 [.0984]	125	
	FP0506	1	RIGHT ANGLE GUIDE SOCKET						
	FP0500	1	LEFT MOUNTING FLANGE						
	FP0501	1	RIGHT MOUNTING FLANGE						

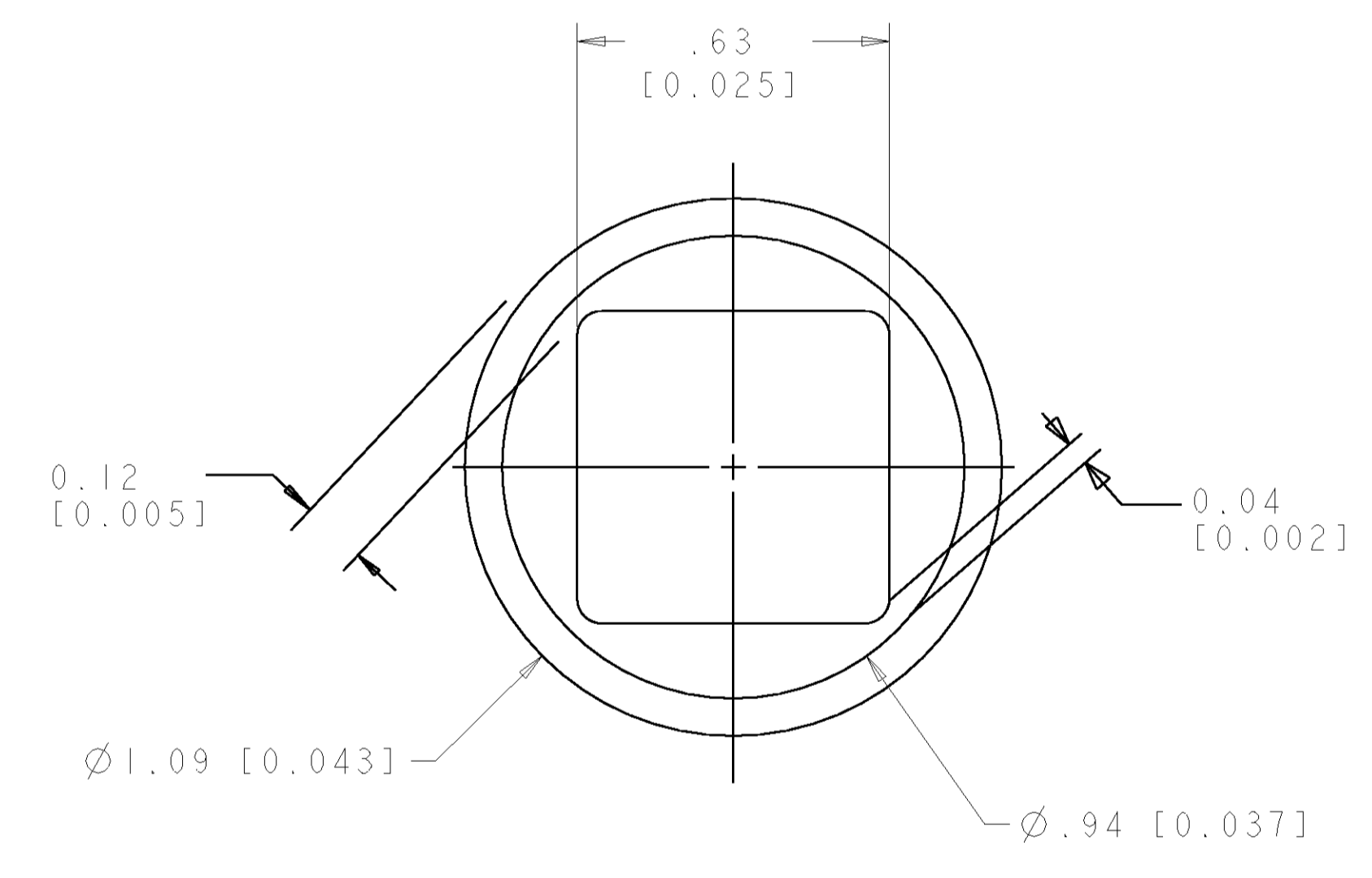
ELCON FLATPAQ

DIMENSIONS: mm [INCHES]		TOLERANCES UNLESS OTHERWISE SPECIFIED: 0 PLC ±.5 [.020] 1 PLC ±.5 [.020] 2 PLC ±.25 [.010] 3 PLC ±.25 [.010] 4 PLC ±.25 [.010] ANGLES ±.5		DWN B. GRZYBOWSKI 28NOV06 CHK S. FLICKINGER 28NOV06 APVD S. FLICKINGER 28NOV06		tyco Electronics Tyco Electronics Harrisburg, PA 17105-3608	
MATERIAL - FINISH -		WEIGHT - CUSTOMER DRAWING		NAME RIGHT ANGLE PIN CONNECTOR SOLDER TAILS AND LAYOUT		SIZE CAGE CODE DRAWING NO. RESTRICTED TO A100779C=6646721 -	
SCALE 3:1		SHEET 2 OF 3		REV A		DATE	

LOC	DIST	REVISIONS					
		P.	LTR	DESCRIPTION	DATE	DRN	APVD
GP	00	-	-	SEE SHEET 1	-	-	-



6. SOLDER TAIL DETAIL  
SCALE 10 : 1



**⚠ SOLDER TERMINATION AREA**  
 SCALE 40:1  
 RECOMMENDED PRINTED CIRCUIT HOLE  
 SOLDER HOLE  
 FINISHED HOLE: Ø1.02 [.040] ±.08 [.003]  
 DRILLED HOLE: Ø1.15 [.0453] ±.013 [.0005]  
 COPPER PLATE: .025 [.0010] MIN  
 TIN PLATE: .008 [.0003] MIN. (PER SURFACE)

**ELCON FLATPAQ**

<small>THE INFORMATION CONTAINED HEREIN IS UNCLASSIFIED EXCEPT WHERE SHOWN OTHERWISE. IT IS THE PROPERTY OF TYCO ELECTRONICS CORPORATION AND IS TO BE CONTAINED AND CONTROLLED BY THE USER'S ORGANIZATION. IT IS TO BE KEPT SECRET AND NOT TO BE DISCLOSED TO THE PUBLIC.</small>		DWN R. GRZYBOWSKI CHK S. FLICKINGER APVD S. FLICKINGER	28NOV06 28NOV06 28NOV06	<b>tyco</b> Electronics Tyco Electronics Harrisburg, PA 17105-3608
DIMENSIONS: mm [INCHES]	TOLERANCES UNLESS OTHERWISE SPECIFIED: 0 PLC ± 1 PLC ±.5 [.020] 2 PLC ±.25 [.010] 3 PLC ± 4 PLC ± ANGLES ±.5	NAME PRODUCT SPEC APPLICATION SPEC	SIZE CAGE CODE DRAWING NO RESTRICTED TO	RIGHT ANGLE PIN CONNECTOR SOLDER TAILS AND LAYOUT
MATERIAL FINISH	WEIGHT CUSTOMER DRAWING	SCALE 3:1	SHEET 3 OF 3	REV A