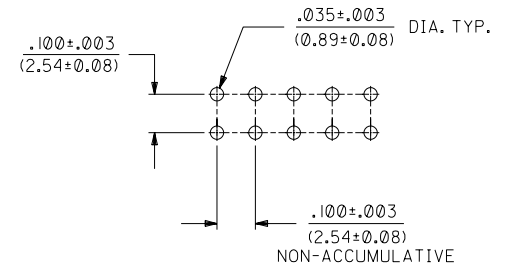


- NOTES:
- 1 - HOUSING MATERIAL: GLASS FILLED POLYESTER, UL 94V-0. COLOR: BLACK
 - 2 - TERMINAL MATERIAL: PHOSPHOR BRONZE
 - 3 - SEE ADDITIONAL SHEETS FOR CHARTS, PLATINGS, AND OVERALL DIMENSIONS
 - 4 - THIS PRODUCT CONFORMS TO PS-70181.

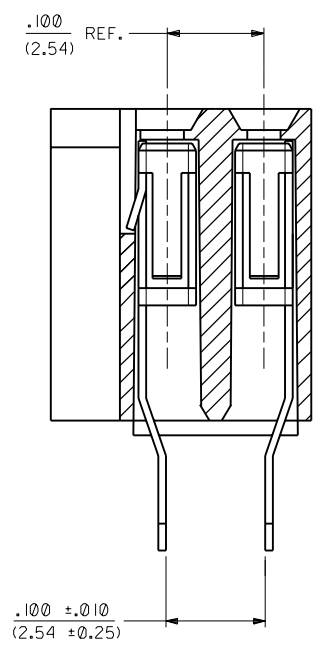
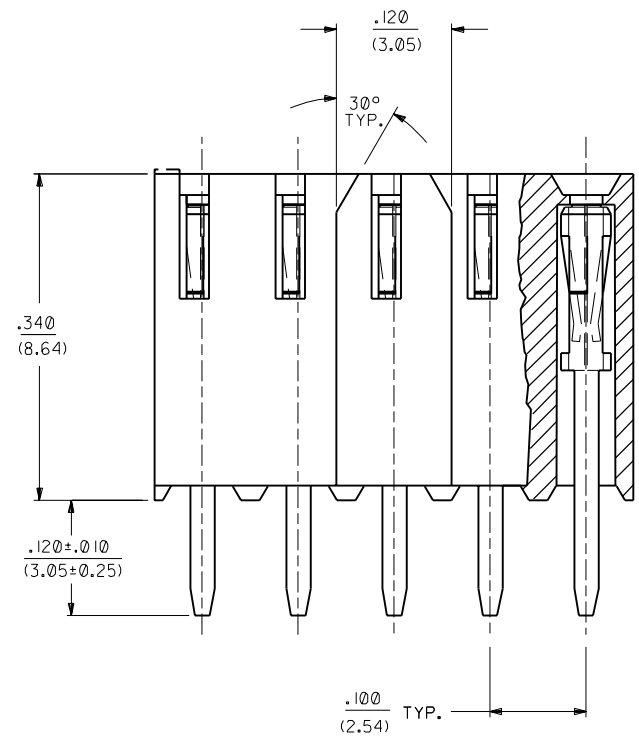
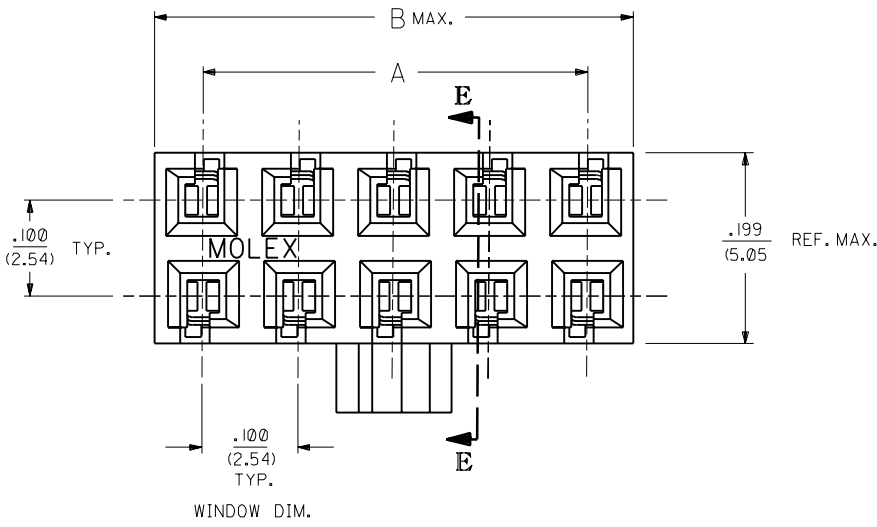


RECOMMENDED P.C. BOARD HOLE LAYOUT
SCALE = 4:1

C	LEAD FREE UCP2004-1770 RWWHITE 04/04/28
B	CHANGE PACK SPEC ECAF UDT2000-0503 DMORGAN 99/12/09
A	REVISE PLATE & BOX PER U3 0572 09/10/93 MURPHY

MFG.	SH.	REV.	LTR.	REVISIONS
3	C			
2	A			
1	C			

DIMENSIONS SHOWN (METRIC) INCH		UNLESS OTHERWISE SPECIFIED TOLERANCES: ANGULAR ± 1/2°		REVISIONS	
3 PLACE	± .010	---		REVISIONS	
2 PLACE	± .014	± 0.25		REVISIONS	
1 PLACE	---	± 0.35		REVISIONS	
DRAFT WHERE APPLICABLE MUST REMAIN WITHIN DIMENSIONS				REVISIONS	
DRAWING INFORMATION		MATERIAL INFORMATION		DATE	
DRWG. BY: PM	CHK'D. BY: PM	FILE NAME: SA70192X1.DGN	THIS DRAWING CONTAINS INFORMATION THAT IS PROPRIETARY TO MOLEX INC. AND SHOULD NOT BE USED WITHOUT WRITTEN PERMISSION	SHEET NO. U.S.A. 1 OF 3	DATE 09/10/93
SEE CHART			SDA-70192-*****		



NOTES:
1 - SEE SHEET I FOR APPLICABLE NOTES.

SINGAPORE ONLY
OPTION -F-
WITH POLARIZING KEY

A SEE SHEET I

DIMENSIONS SHOWN (METRIC) INCH		▽ = 0 ▼ = 0		REVISE ONLY ON CAD SYSTEM	
UNLESS OTHERWISE SPECIFIED TOLERANCES ANGULAR ± 1/2°		TITLE			
3 PLACE ±		CONNECTOR, VERT. MOUNT, DUAL ROW			
2 PLACE ±		(TOP ENTRY) .100 X .100			
1 PLACE ±		P.C. TAIL GRID			
DRAFT WHERE APPLICABLE MUST REMAIN WITHIN DIMENSIONS		MOLEX INCORPORATED		SHEET NO. DATE	
		L15LEJLL 69532		U.S.A. 2 07/17/90	
DRAWN BY: PM		CHK'D BY: PM		PART NO. DRWG. NO.	
APP'D BY: PM		SCALE: :		SEE CHART SDA-70192-0000	
		FILE NAME: SA70192X2.DWG		THIS DRAWING CONTAINS INFORMATION THAT IS PROPRIETARY TO MOLEX INC. AND SHOULD NOT BE USED WITHOUT WRITTEN PERMISSION.	

J	CKT SIZE		PLATING: TIN PACKAGING: PK-70873-0660		PLATING: 15 GOLD PACKAGING: PK-70873-0660		PLATING: 30 GOLD PACKAGING: PK-70873-0660		OPTION F ASSEMBLY TOOLED IN SINGAPORE ONLY (SEE SHEET 2 FOR GEOMETRY)		DIM."A"		DIM."B"	
	PER ROW	TOTAL	EDP NO.	ENG NO.	EDP NO.	ENG NO.	EDP NO.	ENG NO.	EDP NO.	ENG NO.	INCH	MM	INCH	MM
	02	04	15-45-1302	A-70192-0065	15-44-3202	A-70192-0129	15-44-4502	A-70192-0193			.100	2,54	.199	5,05
03	06	15-45-1303	A-70192-0066	15-44-3203	A-70192-0130	15-44-4503	A-70192-0194			.200	5,08	.299	7,59	
04	08	15-45-1304	A-70192-0067	15-44-3204	A-70192-0131	15-44-4504	A-70192-0195			.300	7,62	.399	10,13	
05	10	15-45-1305	A-70192-0068	15-44-3205	A-70192-0132	15-44-4505	A-70192-0196			.400	10,16	.499	12,67	
06	12	15-45-1306	A-70192-0069	15-44-3206	A-70192-0133	15-44-4506	A-70192-0197			.500	12,70	.599	15,21	
07	14	15-45-1307	A-70192-0070	15-44-3207	A-70192-0134	15-44-4507	A-70192-0198			.600	15,24	.699	17,75	
08	16	15-45-1308	A-70192-0071	15-44-3208	A-70192-0135	15-44-4508	A-70192-0199			.700	17,78	.799	20,29	
09	18	15-45-1309	A-70192-0072	15-44-3209	A-70192-0136	15-44-4509	A-70192-0200			.800	20,32	.899	22,83	
10	20	15-45-1310	A-70192-0073	15-44-3210	A-70192-0137	15-44-4510	A-70192-0201			.900	22,86	.999	25,37	
11	22	15-45-1311	A-70192-0074	15-44-3211	A-70192-0138	15-44-4511	A-70192-0202			1.000	25,40	1.099	27,91	
12	24	15-45-1312	A-70192-0075	15-44-3212	A-70192-0139	15-44-4512	A-70192-0203			1.100	27,94	1.199	30,45	
13	26	15-45-1313	A-70192-0076	15-44-3213	A-70192-0140	15-44-4513	A-70192-0204			1.200	30,48	1.299	32,99	
14	28	15-45-1314	A-70192-0077	15-44-3214	A-70192-0141	15-44-4514	A-70192-0205			1.300	33,02	1.399	35,53	
15	30	15-45-1315	A-70192-0078	15-44-3215	A-70192-0142	15-44-4515	A-70192-0206			1.400	35,56	1.499	38,07	
16	32	15-45-1316	A-70192-0079	15-44-3216	A-70192-0143	15-44-4516	A-70192-0207			1.500	38,10	1.599	40,61	
17	34	15-45-1317	A-70192-0080	15-44-3217	A-70192-0144	15-44-4517	A-70192-0208			1.600	40,64	1.699	43,15	
18	36	15-45-1318	A-70192-0081	15-44-3218	A-70192-0145	15-44-4518	A-70192-0209			1.700	43,18	1.799	45,69	
19	38	15-45-1319	A-70192-0082	15-44-3219	A-70192-0146	15-44-4519	A-70192-0210			1.800	45,72	1.899	48,23	
20	40	15-45-1320	A-70192-0083	15-44-3220	A-70192-0147	15-44-4520	A-70192-0211			1.900	48,26	1.999	50,77	
21	42	15-45-1321	A-70192-0084	15-44-3221	A-70192-0148	15-44-4521	A-70192-0212			2.000	50,80	2.099	53,31	
22	44	15-45-1322	A-70192-0085	15-44-3222	A-70192-0149	15-44-4522	A-70192-0213			2.100	53,34	2.199	55,85	
23	46	15-45-1323	A-70192-0086	15-44-3223	A-70192-0150	15-44-4523	A-70192-0214			2.200	55,88	2.299	58,39	
24	48	15-45-1324	A-70192-0087	15-44-3224	A-70192-0151	15-44-4524	A-70192-0215			2.300	58,42	2.399	60,93	
25	50	15-45-1325	A-70192-0088	15-44-3225	A-70192-0152	15-44-4525	A-70192-0216	15-44-6625	A-70192-0280	2.400	60,96	2.499	63,47	
26	52	15-45-1326	A-70192-0089	15-44-3226	A-70192-0153	15-44-4526	A-70192-0217			2.500	63,50	2.599	66,01	
27	54	15-45-1327	A-70192-0090	15-44-3227	A-70192-0154	15-44-4527	A-70192-0218			2.600	66,04	2.699	68,55	
28	56	15-45-1328	A-70192-0091	15-44-3228	A-70192-0155	15-44-4528	A-70192-0219			2.700	68,58	2.799	71,09	
29	58	15-45-1329	A-70192-0092	15-44-3229	A-70192-0156	15-44-4529	A-70192-0220			2.800	71,12	2.899	73,63	
30	60	15-45-1330	A-70192-0093	15-44-3230	A-70192-0157	15-44-4530	A-70192-0221			2.900	73,66	2.999	76,17	
31	62	15-45-1331	A-70192-0094	15-44-3231	A-70192-0158	15-44-4531	A-70192-0222			3.000	76,20	3.099	78,71	
32	64	15-45-1332	A-70192-0095	15-44-3232	A-70192-0159	15-44-4532	A-70192-0223			3.100	78,74	3.199	81,25	
33	66	15-45-1333	A-70192-0096	15-44-3233	A-70192-0160	15-44-4533	A-70192-0224			3.200	81,28	3.299	83,79	
34	68	15-45-1334	A-70192-0097	15-44-3234	A-70192-0161	15-44-4534	A-70192-0225			3.300	83,82	3.399	86,33	
35	70	15-45-1335	A-70192-0098	15-44-3235	A-70192-0162	15-44-4535	A-70192-0226			3.400	86,36	3.499	88,87	
36	72	15-45-1336	A-70192-0099	15-44-3236	A-70192-0163	15-44-4536	A-70192-0227			3.500	88,90	3.599	91,41	
37	74	15-45-1337	A-70192-0100	15-44-3237	A-70192-0164	15-44-4537	A-70192-0228			3.600	91,44	3.699	93,95	
38	76	15-45-1338	A-70192-0101	15-44-3238	A-70192-0165	15-44-4538	A-70192-0229			3.700	93,98	3.799	96,49	
39	78	15-45-1339	A-70192-0102	15-44-3239	A-70192-0166	15-44-4539	A-70192-0230			3.800	96,52	3.899	99,03	
40	80	15-45-1340	A-70192-0103	15-44-3240	A-70192-0167	15-44-4540	A-70192-0231			3.900	99,06	3.999	101,57	

C

B

B

*THE PRIMARY SHIPPING CARTON WILL BE LABELED "COMPLIANT TO RoHS DIRECTIVE 2002/95/EC AND ELV ANNEX II OF DIRECTIVE 2000/53/EC". CARTONS WITHOUT THIS LABEL MAY CONTAIN PRODUCT WITH LEAD.

PLATING:

TIN (3.75 MICROMETER)/150 MICROINCH MINIMUM TIN OVER (1.25 MICROMETER)/50 MICROINCH MINIMUM NICKEL OVERALL.

15 GOLD (0.37 MICROMETER)/15 MICROINCH MINIMUM SELECTIVE GOLD IN THE CONTACT AREA; (1.88 MICROMETER)/75 MICROINCH MINIMUM SELECTIVE TIN IN THE PC TAIL AREA OVER (1.25 MICROMETER)/50 MICROINCH MINIMUM NICKEL OVERALL.

30 GOLD (0.75 MICROMETER)/30 MICROINCH MINIMUM SELECTIVE GOLD IN THE CONTACT AREA; (1.88 MICROMETER)/75 MICROINCH MINIMUM SELECTIVE TIN IN THE PC TAIL AREA OVER (1.25 MICROMETER)/50 MICROINCH MINIMUM NICKEL OVERALL.

A	L.T.R.	REVISIONS	L.T.R.	REVISIONS	DRWG. BY: T.M	CHK'D. BY: MGB	SCALE: 10:1	DRAFT WHERE APPLICABLE MUST REMAIN WITHIN DIMENSIONS	DIMENSIONS SHOWN (METRIC) INCH UNLESS OTHERWISE SPECIFIED TOLERANCES: ANGULAR ± 1/2° INCH METRIC 5 PLACE ± . . . ± . . . 2 PLACE ± . . . ± . . . 1 PLACE ± . . . ± . . .	FROM MOLEX INCORPORATED L15LE,ILL. 60532 U.S.A.	SHEET NO. 3 DATE 07/17/90	REVISIONS ONLY ON CAD SYSTEM V = 0 ▽ = 0 TITLE VERTICAL MOUNT ASSY DUAL ROW TOP ENTRY .100 X .100 P.C. TAIL GRID	PART NO. SDA-70192-**** DRWG. NO.	FILE NAME SA70192X3 THIS DRAWING CONTAINS INFORMATION THAT IS PROPRIETARY TO MOLEX INC. AND SHOULD NOT BE USED WITHOUT WRITTEN PERMISSION.	DIV. DA SIZE C