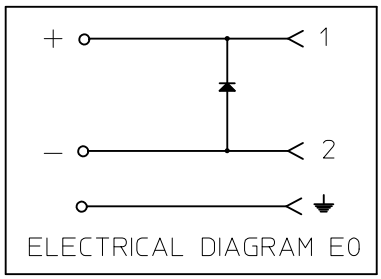
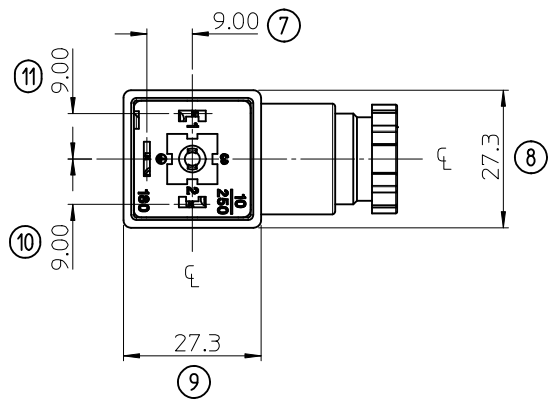


29mm M3 SCREW

G11 GASKET

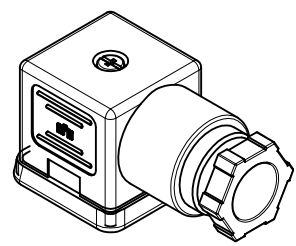


NOTES:

1. PRODUCT SPEC: PS-121201-001
2. PACKAGING: STANDARD BOX 1211160003, FIVE STANDARD BOXES IN A BIGGER BOX 1211160004
3. SPQ: 100, MOQ: 100
4. LABELLING: MOLEX STANDARD LABEL
5. EARTH POSITION: H12
6. PARTS ARE BULK PACK MOUNTED

LAST INSPECTION NUMBER USED: 11

		FINISHED GOOD PART No	
PART No	DESCRIPTION	1210650230	1210650229
1211331479	S18 INSERT E0 CIRCUIT NO TAMPO	100	100
1211310083	COVER ASSEMBLY, PG11, BLACK	100	-
1211310084	COVER ASSEMBLY, PG11, GREY	-	100
1211290001	BAG OF 100 M3 BY 29mm SCREWS	1	1
1211290080	BAG OF 100 G11 GASKETS, BLACK	1	1



UPDATED INSERT
 EC NO: WEU2011-0633
 DRWING: MAHER_WEU 2011/06/10
 CHKD:
 APPR: EFOLAN 2011/06/30

QUALITY SYMBOLS
 ▽=0
 ◻=0

	GENERAL TOLERANCES (UNLESS SPECIFIED)	
	mm	INCH
4 PLACES	± ---	± ---
3 PLACES	± ---	± ---
2 PLACES	± 0.10	± ---
1 PLACE	± 0.2	± ---
ANGULAR ± ---°		

DRAFT WHERE APPLICABLE MUST REMAIN WITHIN DIMENSIONS

DIMENSION STYLE		SCALE	DESIGN UNITS	THIRD ANGLE PROJECTION
MM ONLY		1:1	METRIC	⊙ □
DRAWN BY	DATE	TITLE		
DSHEA	2011/02/17	S182 SERIES FIELD ATTACHABLE		
CHECKED BY	DATE	MOLEX INCORPORATED		
APPROVED BY	DATE	DOCUMENT NO.		
EFOLAN	2011/03/21	SD-121065-001		
MATERIAL NO.	SEE TABLE		SHEET NO.	
A3	THIS DRAWING CONTAINS INFORMATION THAT IS PROPRIETARY TO MOLEX INCORPORATED AND SHOULD NOT BE USED WITHOUT WRITTEN PERMISSION		1 OF 1	