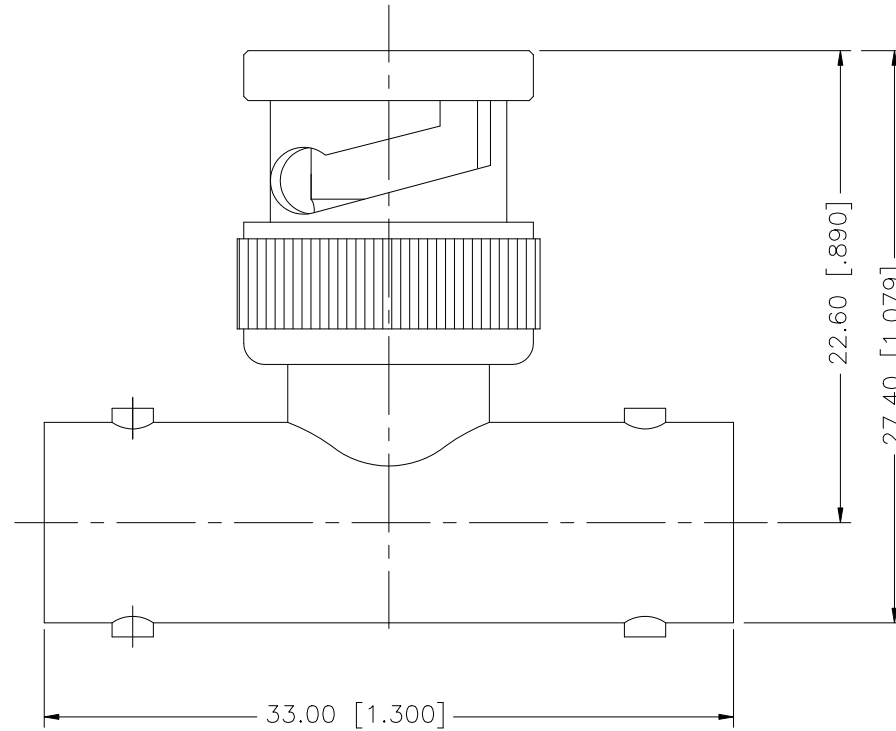


REV.	DATE	DESCRIPTION
NC	10/16/02	INITIAL RELEASE
A	05/01/04	UPDATE DRAWING FORMAT



8				<small>UNLESS OTHERWISE SPECIFIED DIMENSIONS ARE IN MILLIMETERS; DIMENSIONS IN [] ARE IN INCHES AND FOR CUSTOMER REFERENCE ONLY.</small> <small>UNLESS OTHERWISE SPECIFIED TOLERANCES FOR MILLIMETERS ARE:</small> 0.5 - 8mm ± 0.20mm 8 - 30mm ± 0.40mm 30 - 120mm ± 0.50mm <small>UNLESS OTHERWISE SPECIFIED TOLERANCES FOR INCHES ARE:</small> .020 - .315 = ± 0.007" .315 - 1.180 = ± 0.015" 1.180 - 4.724 = ± 0.020"	APPROVALS	DATE	<h1 style="color: blue;">Amphenol Connex</h1>								
7					DRAWN	G.R.S.		05/01/04	PART DESCRIPTION BNC "T" ADAPTER / JACK-PLUG-JACK 75ohm						
6					CHECKED										
5					ISSUED										
4	CONTACT PIN	BRASS	GOLD		1	SHEET		1 OF 1							
3	CONTACT PIN	PHOS. BRONZE	GOLD	1	PART NO.		112462								
2	INSULATOR	DELRIN	NATURAL	1	DWG. NO.		112462.DWG								
1	BODY	DIE CAST	NICKEL	1	REV.		A								
DESCRIPTION				MATERIAL		FINISH		QTY		DO NOT SCALE DRAWING		CAD FILE		SCALE	
										C:/112/112462.DWG		A		NA	