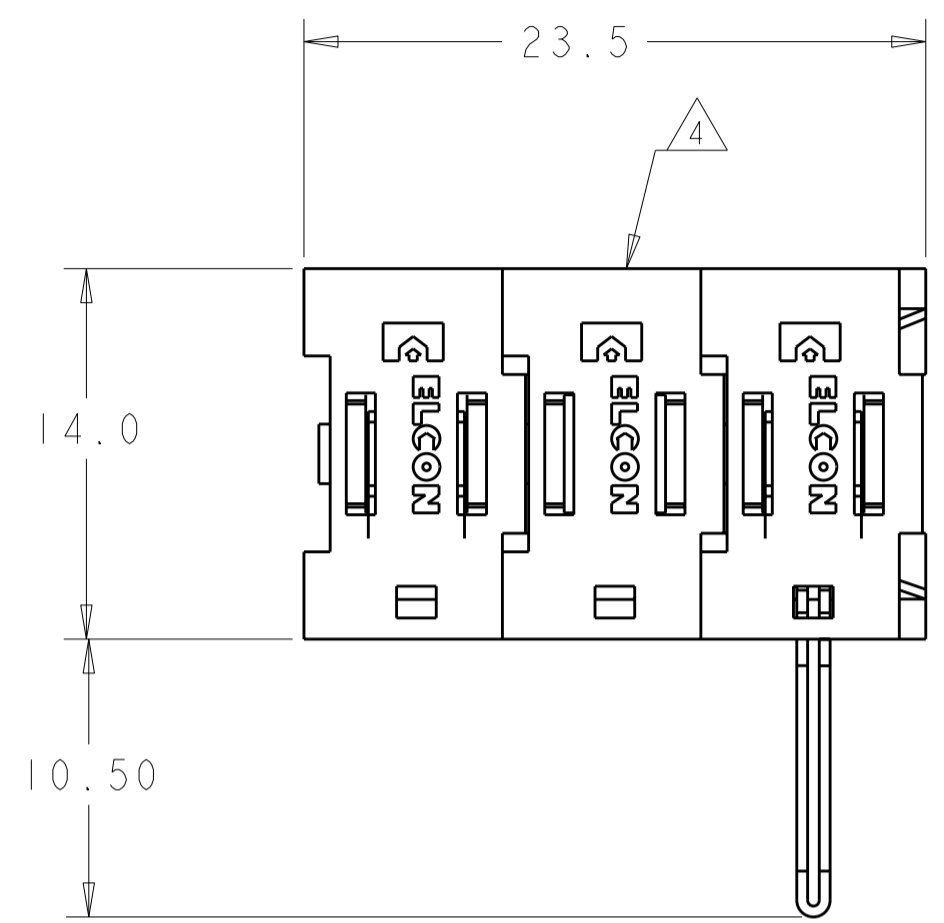


THIS DRAWING IS UNPUBLISHED. RELEASED FOR PUBLICATION 20  
 © COPYRIGHT 20 BY TYCO ELECTRONICS CORPORATION. ALL RIGHTS RESERVED.

LOC	DIST	REVISIONS					
GP	00	P	LTR	DESCRIPTION	DATE	DWN	APVD
			A	RELEASED	01MAY2008	RG	PD



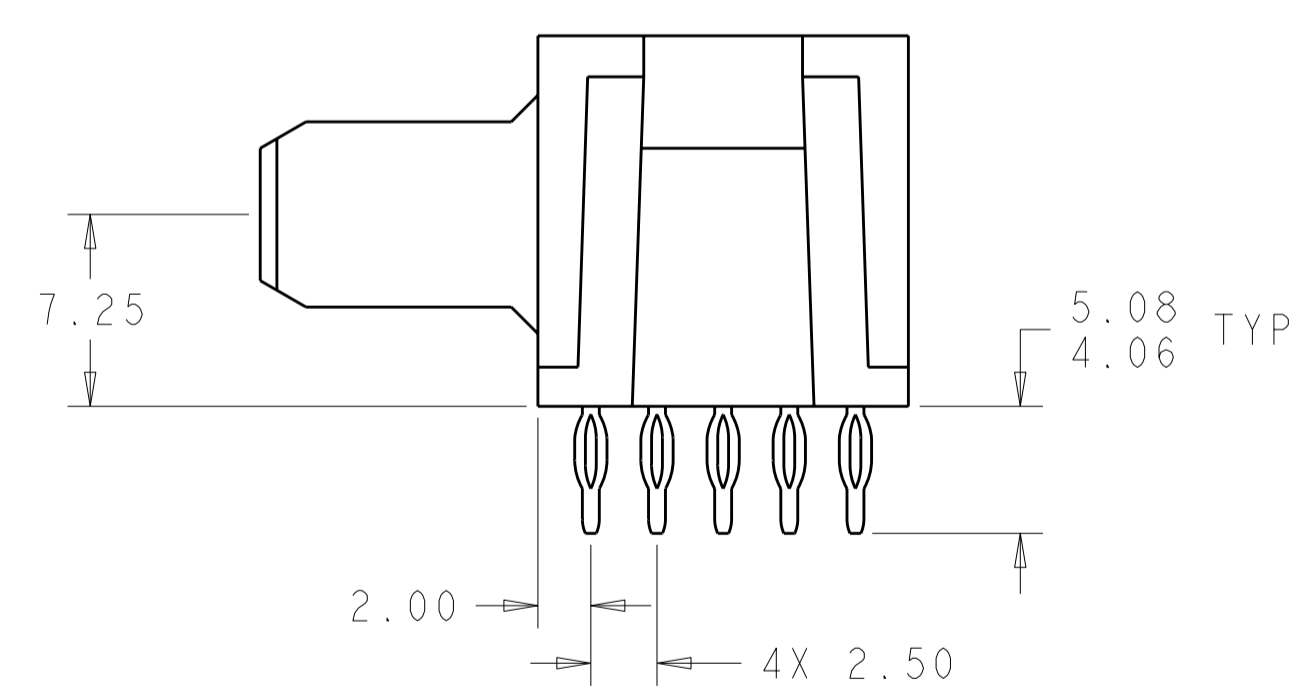
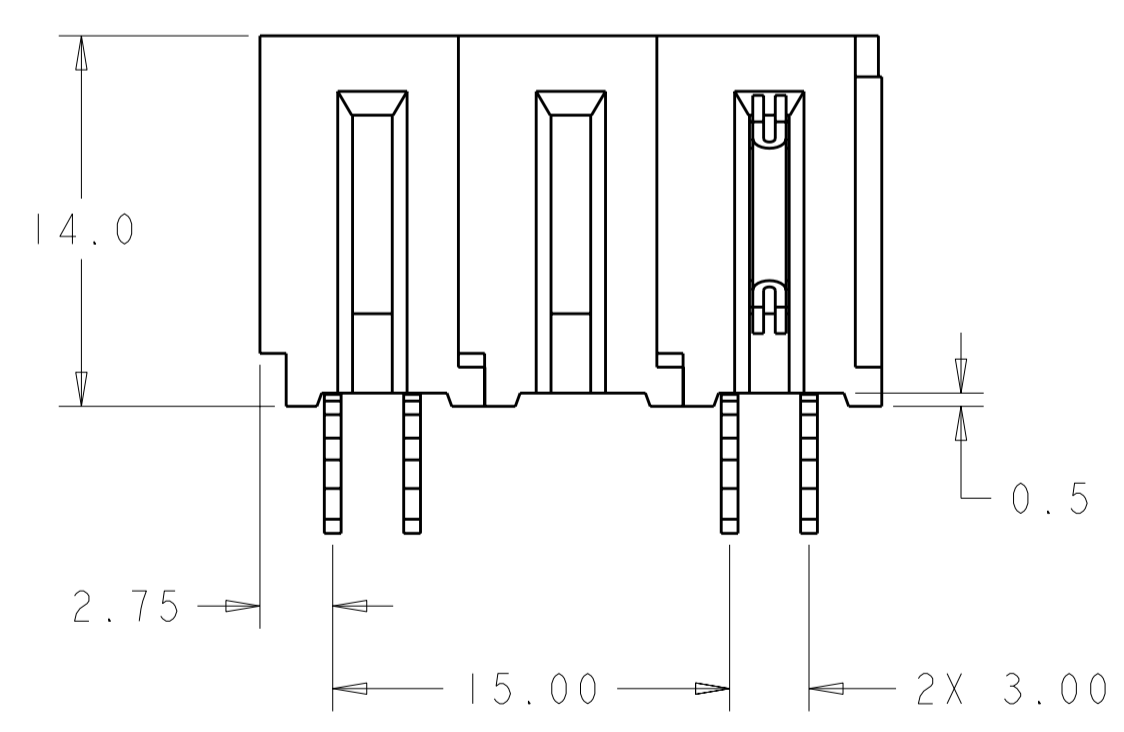
1. PART NUMBER CHANGES AND OR DESIGN CHANGES AFFECTING ITEM INTERCHANGEABILITY REQUIRE PRIOR TYCO ELECTRONICS APPROVAL AND AUTHORIZATION BY REVISION TO THIS DRAWING.

2 MATERIAL:  
 INSULATORS - THERMOPLASTIC, GLASS REINFORCED, COLOR: BLACK  
 UL94V-0 FLAMMABILITY RATED.  
 POWER CONTACTS - PHOSPHOR BRONZE ALLOY, COPPER ALLOY  
 CROWN BAND: BERYLLIUM COPPER

3 FINISH:  
 CONTACTS - GOLD PLATE 0.76µM MIN. THK. OVER  
 NICKEL 1.27µM MIN. THK.  
 SOLDER TAILS TIN 1.02µM MIN. THK. OVER  
 NICKEL 1.27µM MIN THK.

4 ITEMS PROVIDED TO THIS SPECIFICATION TO BE IDENTIFIED ON THE CONTAINER PER THE FOLLOWING IDENTIFIER LABEL

TYCO ELECTRONICS P/N: XXXXXXXX-X  
 DATE CODE (e.g. 0106): XXXX  
 YEAR WEEK



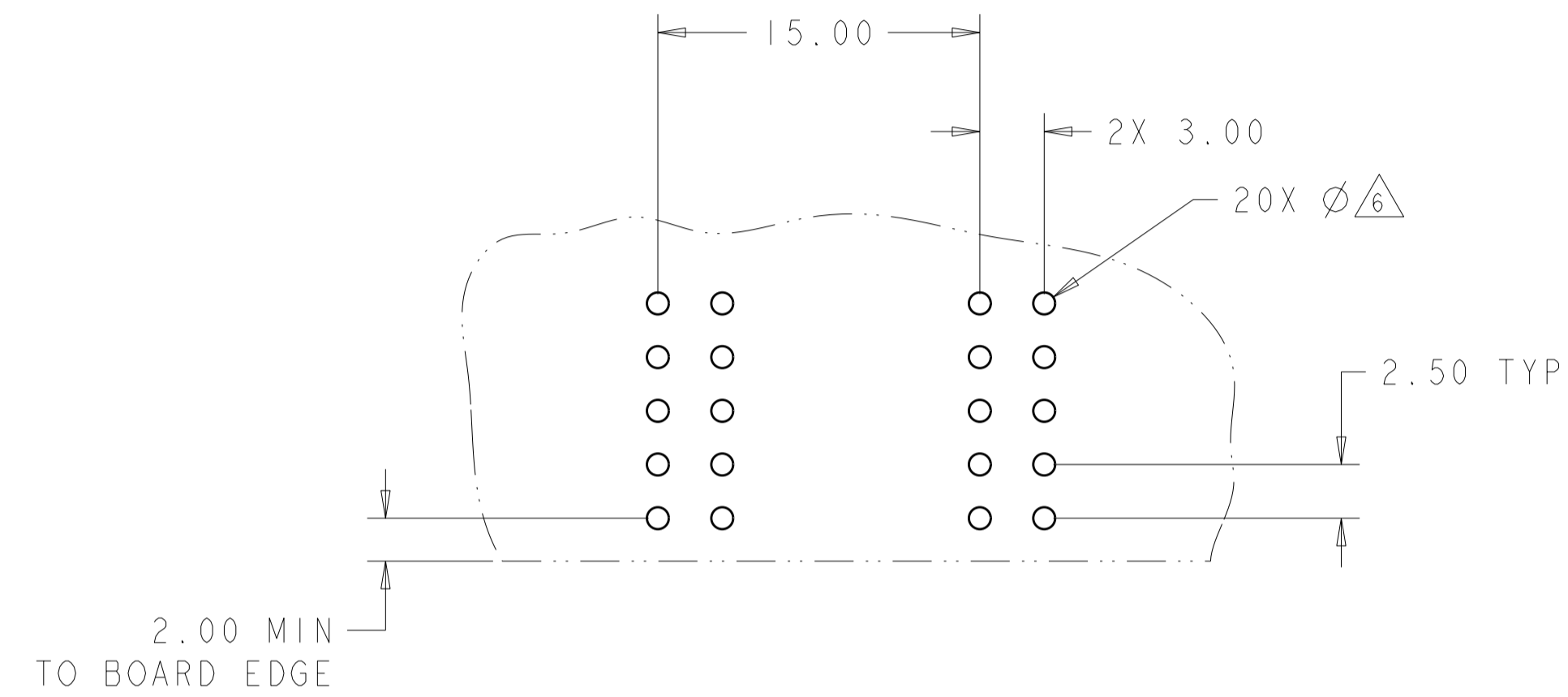
AS SHOWN	1926812-1
DESCRIPTION	PART NUMBER

<small>THIS DRAWING IS A CONTROLLED DOCUMENT FOR TYCO ELECTRONICS CORPORATION. IT IS SUBJECT TO CHANGE AND THE CONTROLLING ENGINEERING ORGANIZATION SHOULD BE CONTACTED FOR THE LATEST REVISION.</small>		DWN: R. GRZYBOWSKI 09APR2008 CHK: P. DAMATO 09APR2008 APVD: S. FLICKINGER 09APR2008	Tyco Electronics Harrisburg, PA 17105-3608
DIMENSIONS: mm 	TOLERANCES UNLESS OTHERWISE SPECIFIED: 0 PLC ±- 1 PLC ±0.5 2 PLC ±0.25 3 PLC ±- 4 PLC ±- ANGLES ±3 FINISH	PRODUCT SPEC APPLICATION SPEC WEIGHT	NAME: PIN CONNECTOR ASSEMBLY RIGHT ANGLE, PRESS FIT FLATPAQ SIZE: A2 CAGE CODE: 00779 DRAWING NO: 1926812 RESTRICTED TO: -
MATERIAL	2	3	CUSTOMER DRAWING SCALE: 4:1 SHEET 1 OF 3 REV A

**ELCON FLATPAQ**

THIS DRAWING IS UNPUBLISHED. RELEASED FOR PUBLICATION 20  
 © COPYRIGHT 20 BY TYCO ELECTRONICS CORPORATION. ALL RIGHTS RESERVED.

LOC	DIST	REVISIONS			
P	LTR	DESCRIPTION	DATE	DWN	APVD
GP	00	-	SEE SHEET 1	-	-



PRINTED CIRCUIT LAYOUT  
 COMPONENT SIDE

CONNECTOR	CATALOG MODULE #	QTY	SIZE NO.	CONTACT QTY	MATING PIN	MAX. CURRENT (PER CONTACT)	CONTACT SPACING	VOLTAGE RATING	
PIN	FP204	1	8	1	1.25 X 7.00 [.049 X .276]	35 amps	7.50 [.2953]	250	
	FP512	1	SPACER						
	FP205	1	8	1	1.25 X 7.00 [.049 X .276]	35 amps	7.50 [.2953]	250	

THIS DRAWING IS A CONTROLLED DOCUMENT FOR TYCO ELECTRONICS CORPORATION. IT IS SUBJECT TO CHANGE AND THE CONTROLLING ENGINEERING ORGANIZATION SHOULD BE CONTACTED FOR THE LATEST REVISION.

DWN: R. GRZYBOWSKI 09APR2008  
 CHK: P. DAMATO 09APR2008  
 APVD: S. FLICKINGER 09APR2008

Tyco Electronics  
 Harrisburg, PA 17105-3608

NAME: PIN CONNECTOR ASSEMBLY  
 RIGHT ANGLE, PRESS FIT  
 FLATPAQ

SIZE: A2 CAGE CODE: 00779 DRAWING NO: 1926812 RESTRICTED TO: -

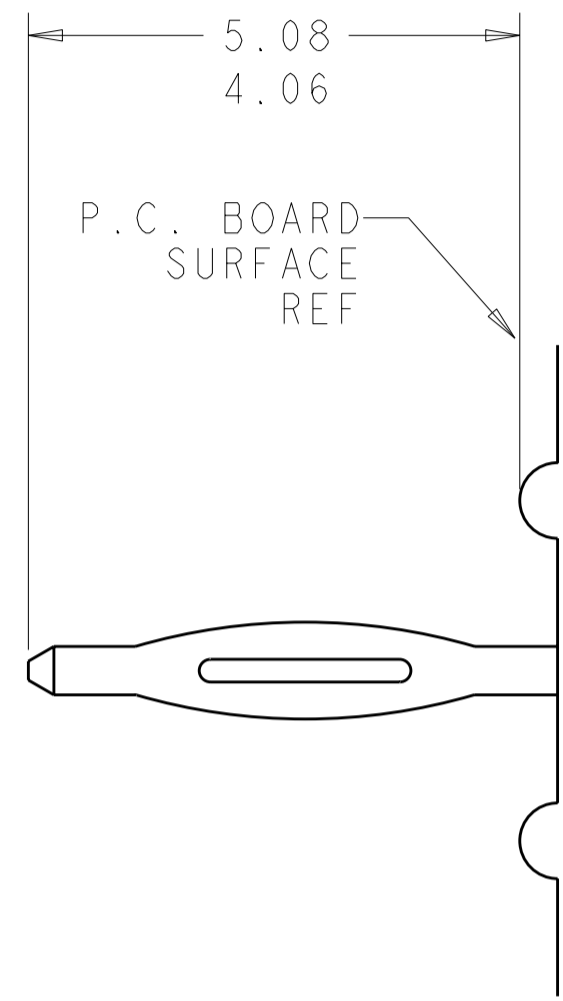
MATERIAL: - FINISH: - WEIGHT: -

CUSTOMER DRAWING SCALE: 4:1 SHEET 2 OF 3 REV A

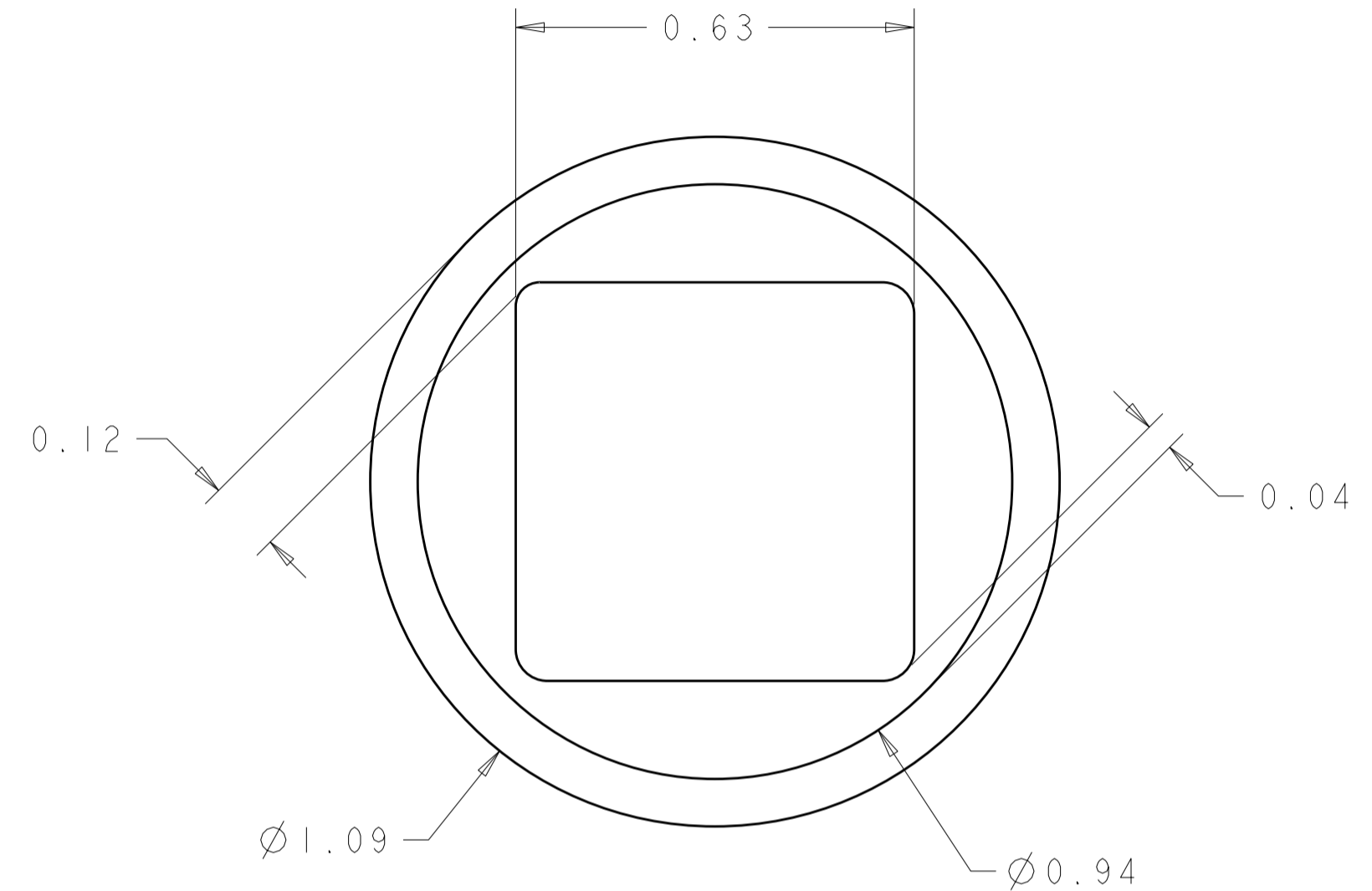
ELCON FLATPAQ

THIS DRAWING IS UNPUBLISHED. RELEASED FOR PUBLICATION 20  
 © COPYRIGHT 20 BY TYCO ELECTRONICS CORPORATION. ALL RIGHTS RESERVED.

LOC	DIST	REVISIONS			
P	LTR	DESCRIPTION	DATE	DWN	APVD
GP	00	-	SEE SHEET 1	-	-



5. COMPLIANT TAIL DETAIL  
 SCALE 10 : 1  
 INSERTION/EXTRACTION FORCES  
 MAXIMUM PUSH IN: 133.3N PER PIN  
 MINIMUM PUSH OUT: 44.4N PER PIN



6. SOLDER TERMINATION AREA  
 SCALE 40:1  
 RECOMMENDED PRINTED CIRCUIT PRESS FIT  
 DRILLED HOLE: Ø1.15 [.0453] ±.013 [.0005]  
 COPPER PLATE: .025 [.0010] MIN (PER SURFACE)  
 TIN PLATE: .0005 [.00020] MIN. (PER SURFACE)

ELCON FLATPAQ

THIS DRAWING IS A CONTROLLED DOCUMENT FOR TYCO ELECTRONICS CORPORATION. IT IS SUBJECT TO CHANGE AND THE CONTROLLING ENGINEERING ORGANIZATION SHOULD BE CONTACTED FOR THE LATEST REVISION.		DWN R. GRZYBOWSKI 09APR2008	Tyco Electronics Harrisburg, PA 17105-3608	
DIMENSIONS: mm		CHK P. DAMATO 09APR2008	NAME PIN CONNECTOR ASSEMBLY RIGHT ANGLE, PRESS FIT FLATPAQ	
TOLERANCES UNLESS OTHERWISE SPECIFIED: 0 PLC ±- 1 PLC ±0.5 2 PLC ±0.25 3 PLC ±- 4 PLC ±- ANGLES ±3		APVD S. FLICKINGER 09APR2008	RESTRICTED TO -	
MATERIAL -		PRODUCT SPEC -	SIZE A200779	DRAWING NO C-1926812
		APPLICATION SPEC -	SCALE 4:1 SHEET 3 OF 3 REV A	
		WEIGHT -	CUSTOMER DRAWING	