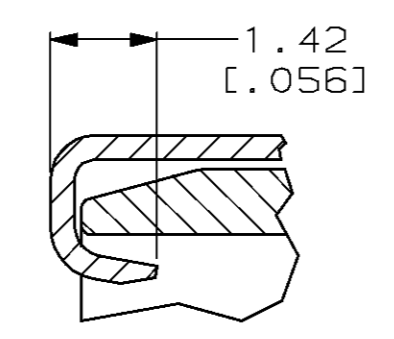
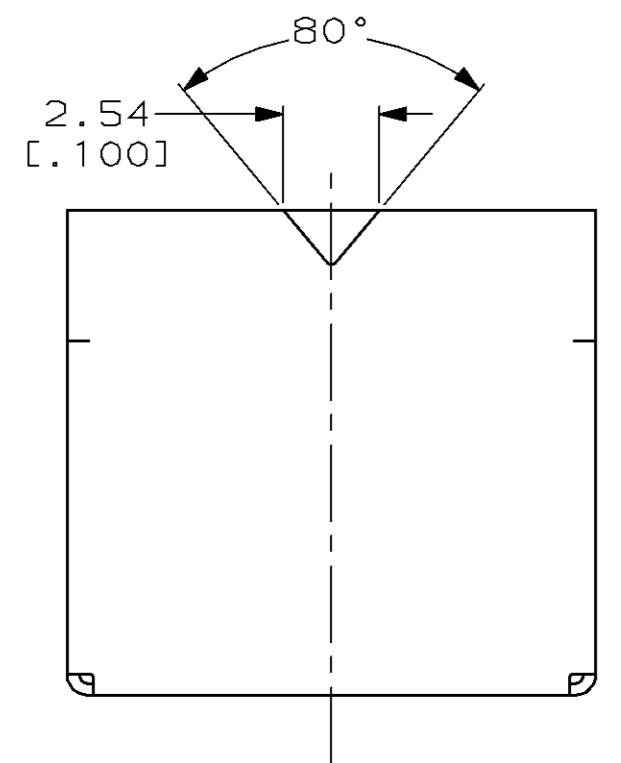
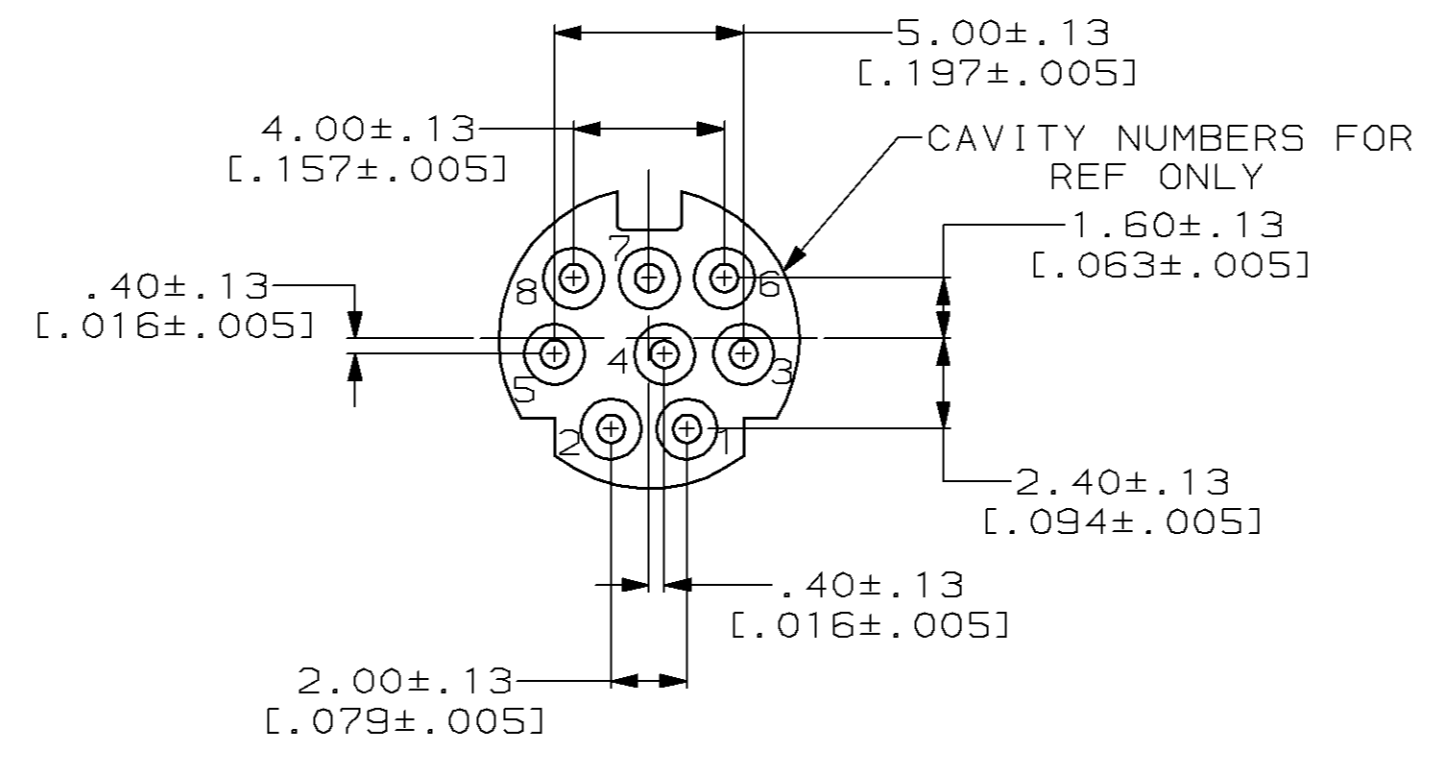


LOC	DIST	P	F	REVISIONS				
				ZONE	LTR	DESCRIPTION	DATE	APPD
	26			O		RLSE NPR 2275 WAS 88-4837-21	01/05/89	-
				A		REVISED ECN-BD2959	05/08/89	RW
				B		REVISED ECN BD3043	06/20/89	-
				C		REV PER EC 0020-824-95	12 OCT 95	JH
				D		REV PER EC 0410-95-96	03 MAR 97	JGH
				E		REV PER EC 0410-281-97	28 SEP 97	JGH
				F		REV PER EC 0410-410-97	05 FEB 98	JGH

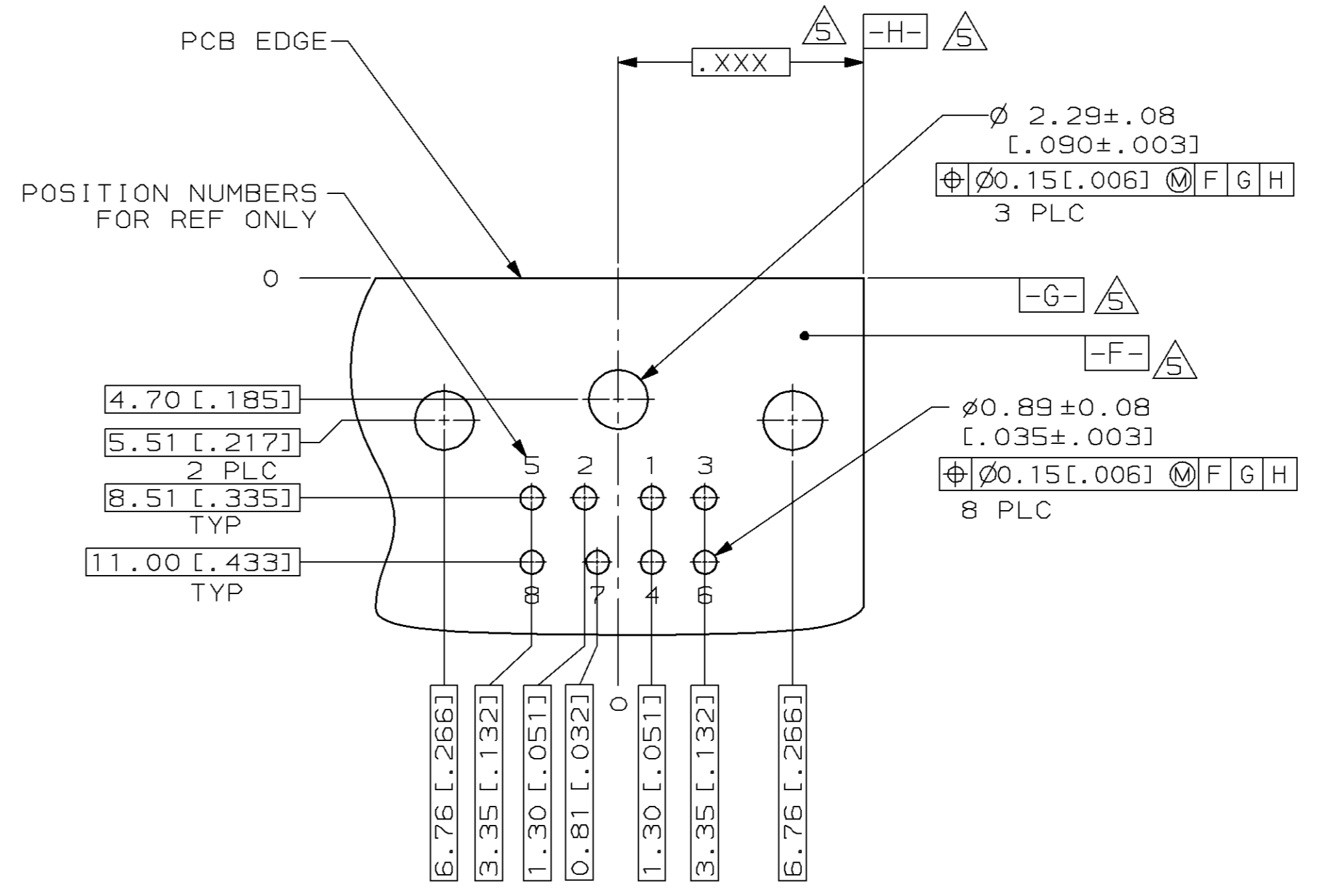
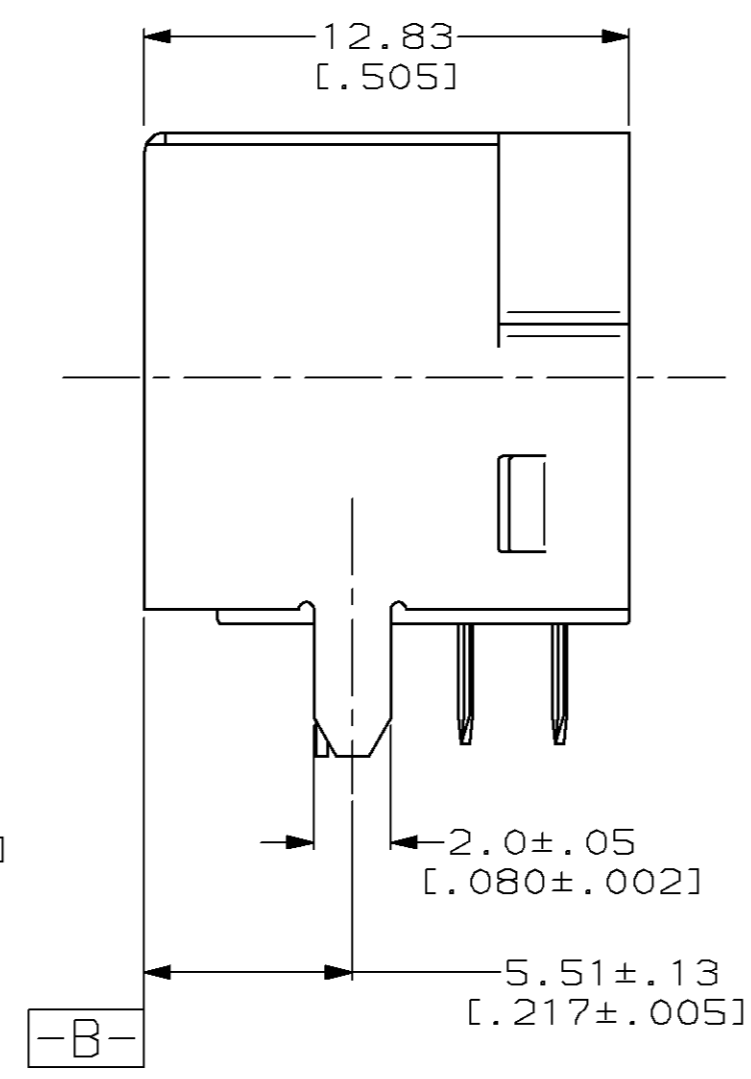
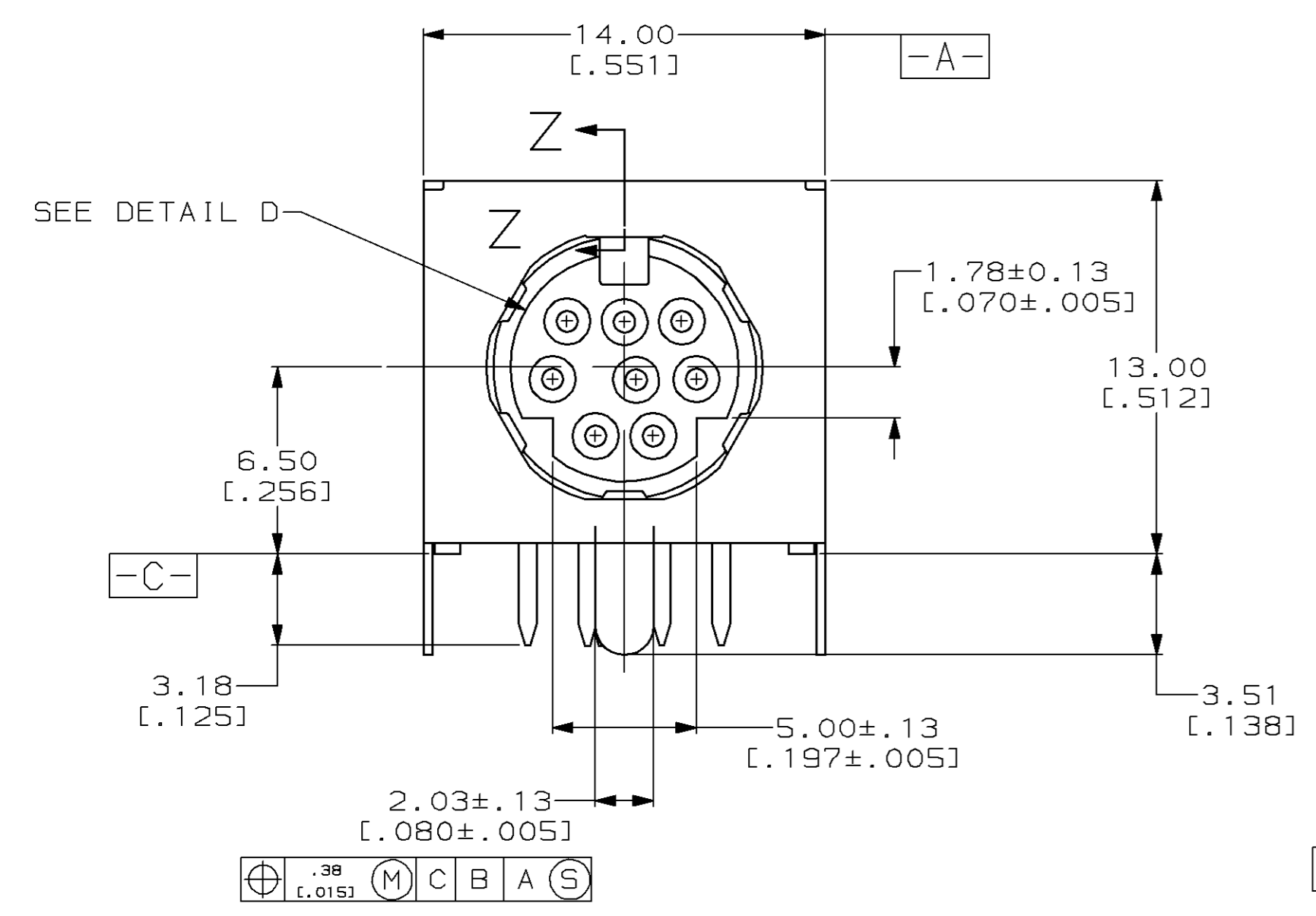


SECTION Z-Z  
SCALE 10:1

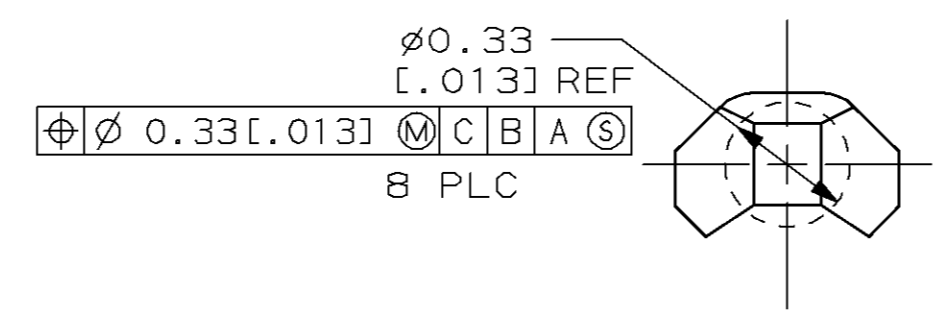
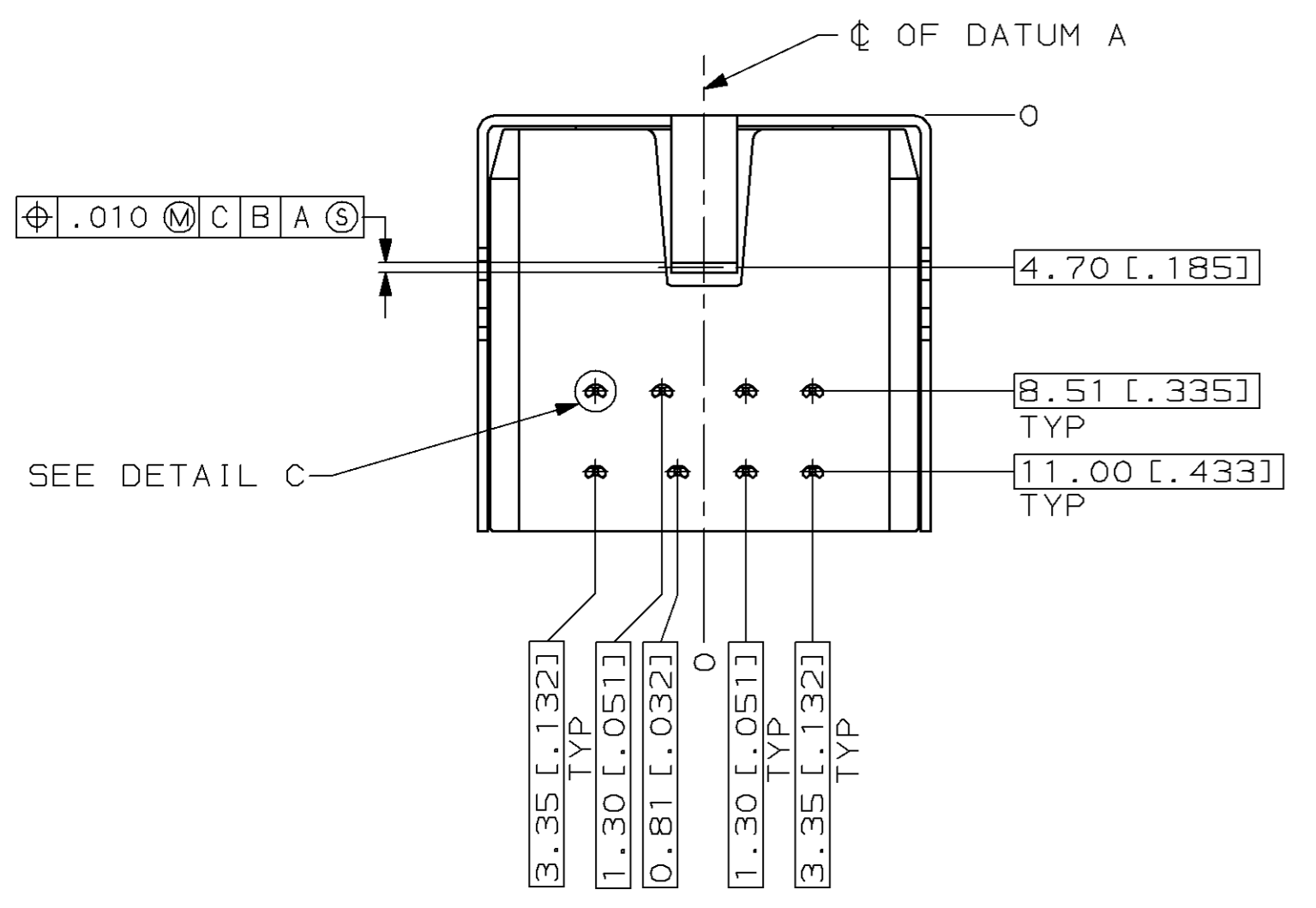


DETAIL D  
8 PIN FACE

- 1 RECEPTACLE CONTACTS: COPPER ALLOY.  
RECEPTACLE SHIELD: COPPER ALLOY.  
HOUSING: THERMOPLASTIC, BLACK, 94V-0 RATED.
- 2 PLATING:  
RECEPTACLE CONTACTS - GOLD FLASH PLATED ON MATING END, TIN-LEAD PLATED .0030 MIN [.000120 MIN] THICK ON SOLDER TAIL ALL OVER .0013 MIN [.000050 MIN] THICK NICKEL.
- 3 PLATING:  
SHIELD: 1.50-4.00µm [.000059-.000158] THICK BRIGHT TIN.
- 4. RECEPTACLE ASSEMBLY MATES WITH 8 PIN 9.00±.10 [.354±.004]
- 5 DATUMS AND BASIC DIMENSION SUPPLIED BY CUSTOMER.



8 PIN PCB LAYOUT  
BOTTOM VIEW



DETAIL C  
SCALE 50:1

DO NOT SCALE PRINT. UNLESS SPECIFIED DIMENSIONS IN mm [INCHES] TOLERANCES ON:		DR 1-24-89 P. COSMOS		749268-1 PART NO	
3 PLC DEC ± 0.381 [0.015]		CHK 1-24-89 C. OHL		AMP INCORPORATED Harrisburg, Pa. 17105	
ANGLES ± 0°30'		APPD 1-24-89 B.H. MOSSER			
MATERIAL		APPD 1-24-89 E.C. MYERS		NAME	
1		PRODUCT SPEC 108-1225		RECEPTACLE ASSY, 8 POS, RIGHT ANGLE, MINIATURE CIRCULAR DIN	
FINISH		APPLICATION SPEC		SIZE	FSCM NO
2 3		-		D	00779
WEIGHT		-		SCALE	DRAWING NO
-		-		5:1	749268
					SHEET 1 OF 1