



LAYOUT SHOWN AS EXAMPLE

Keying Shown as example

**CHARACTERISTICS**

- Standard : Based on MIL-DTL-38999 Series III
- Shell Material : Composite
- Shell Plating : Olive drab Cadmium
- Insulator : Thermoplastic
- Contacts : Copper Alloy
- Seals & Grommet : Silicon Elastomer
- Contact Plating : Gold over copper Alloy 0.8µm minimum
- Durability : 500 Mating cycles
- Delivered with Souriau contacts and Accessories
- Temperature Range : -65°C to +175°C
- Salt Spray : 2000 hours
- Mass : 13.4 g ± 10%

| Connector dimension |             |
|---------------------|-------------|
| Dim                 | Nominal     |
| P                   | 3.25±0.2    |
| PP                  | 4.93±0.2    |
| R1                  | 20.62       |
| R2                  | 18.26       |
| S                   | 26.2±0.3    |
| V'                  | 19.5+1.4/-0 |
| W'                  | 2.1/3.65    |
| Z'                  | 32 Max      |
| VV THREAD           | M15x1-6g    |

SOURIAU shall not be liable for any non-conformity or damage due to a use of the Products which does not comply with the Specifications issued by either of the Parties or by a third party (professional recommendation, technical notice.)

| Country | Jurisdiction & Control List |
|---------|-----------------------------|
| FR      | Not Listed                  |

**PN: 8D011J05SC**

|              |   |                                |   |
|--------------|---|--------------------------------|---|
| A            | 06-10-2016  | First Release                  |   |
| ISS          | DATE  | Latest modification - by       | MOD N°  |
| Designed By: |   | Date:                          | <b>CUSTOMER DRAWING</b>   |
| <b>TITLE</b> | <b>Composite Receptacle 8D series</b>                               |                                |   |
| SCALE        |   | General linear Tolerances: ±-- | NPRDS / PROJECT<br><b>859</b>   |
| NA           | <b>SOURIAU</b> <a href="http://WWW.SOURIAU.COM">WWW.SOURIAU.COM</a> |                                | This document is the property of SOURIAU it must not be reproduced or communicated without permission |
| FORMAT       | <b>A3</b>   |                                | <b>SOURIAU DRG N° 8D011J05SC-C</b> SHEET 1/2  |

|                |                          |   |   |    |   |    |   |   |                                    |
|----------------|--------------------------|---|---|----|---|----|---|---|------------------------------------|
| BASIC SERIES:  | 8D                       | 0 | - | 11 | J | 05 | S | C | ORIENTATION : C                    |
| SHELL TYPE :   | Square Flange Receptacle |   |   |    |   |    |   |   | CONTACT TYPE : SOCKET(500 Matings) |
| CONTACT TYPE : | Standard Crimp Contact   |   |   |    |   |    |   |   | CONTACT LAYOUT : 11-05             |
| SHELL SIZE :   | 11                       |   |   |    |   |    |   |   |                                    |
| PLATING :      | J = Olive drab Cadmium   |   |   |    |   |    |   |   |                                    |

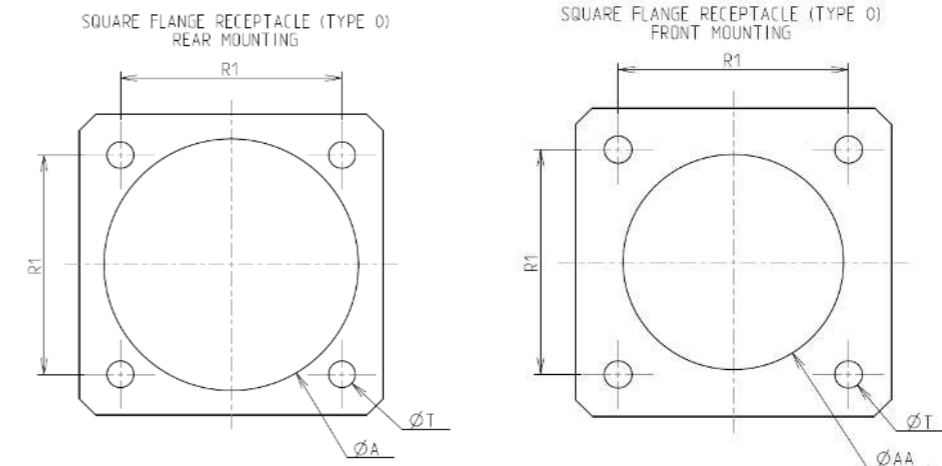
Contact Layout



| Contacts<br>(Insert arrangement 11-5) |                  |             |
|---------------------------------------|------------------|-------------|
| Contact position ID                   | Contact location |             |
|                                       | X-axis (mm)      | Y-axis (mm) |
| A                                     | +065 (1.65)      | +056 (1.42) |
| B                                     | +113 (2.87)      | -065 (1.65) |
| C                                     | +000 (0.00)      | -130 (3.30) |
| D                                     | -113 (2.87)      | -065 (1.65) |
| E                                     | -065 (1.65)      | +056 (1.42) |

| Shell size | Arrangement no. | Number of contacts | Size contacts | Service rating | Contact location | Supersedes |
|------------|-----------------|--------------------|---------------|----------------|------------------|------------|
| 11         | -5              | 5                  | 20            | I              | All              | MS20050-5  |

Panel Cutout



| Dim | Nominal    |
|-----|------------|
| ØA  | 20.22 min  |
| ØAA | 15.88 min  |
| R1  | 20.62      |
| ØT  | 3.25 ±0.13 |

SOURIAU shall not be liable for any non-conformity or damage due to a use of the Products which does not comply with the Specifications issued by either of the Parties or by a third party (professional recommendation, technical notice.)

| Country | Jurisdiction & Control List |
|---------|-----------------------------|
| FR      | Not Listed                  |

PN: 8D011J05SC

|                |                                       |                                |   |
|----------------|---------------------------------------|--------------------------------|---|
| A              | 06-10-2016                            | First Release                  |   |
| ISS            | DATE                                  | Latest modification - by       | MOD N°  |
| Designed By:   |                                       | Date:                          | <b>CUSTOMER DRAWING</b>   |
| <b>TITLE</b>   | <b>Composite Receptacle 8D series</b> |                                |   |
| SCALE          |                                       | General linear Tolerances: ±-- | NPRDS / PROJECT<br><b>859</b>   |
| NA             |                                       |                                |   |
| <b>SOURIAU</b> | <b>WWW.SOURIAU.COM</b>                |                                | This document is the property of SOURIAU it must not be reproduced or communicated without permission |
| FORMAT         | <b>SOURIAU DRG N° 8D011J05SC-C</b>    |                                | SHEET<br>2/2  |