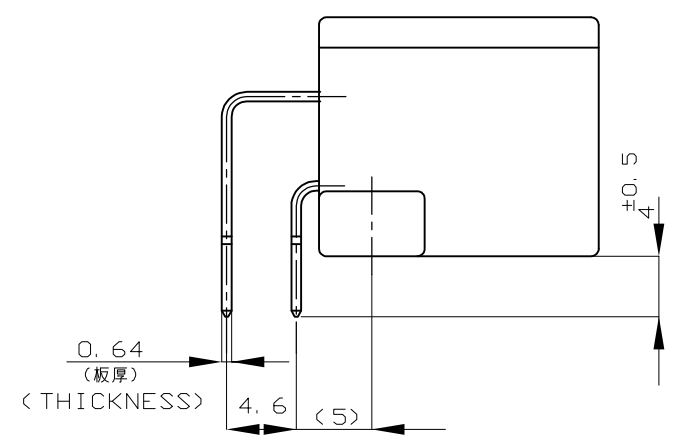
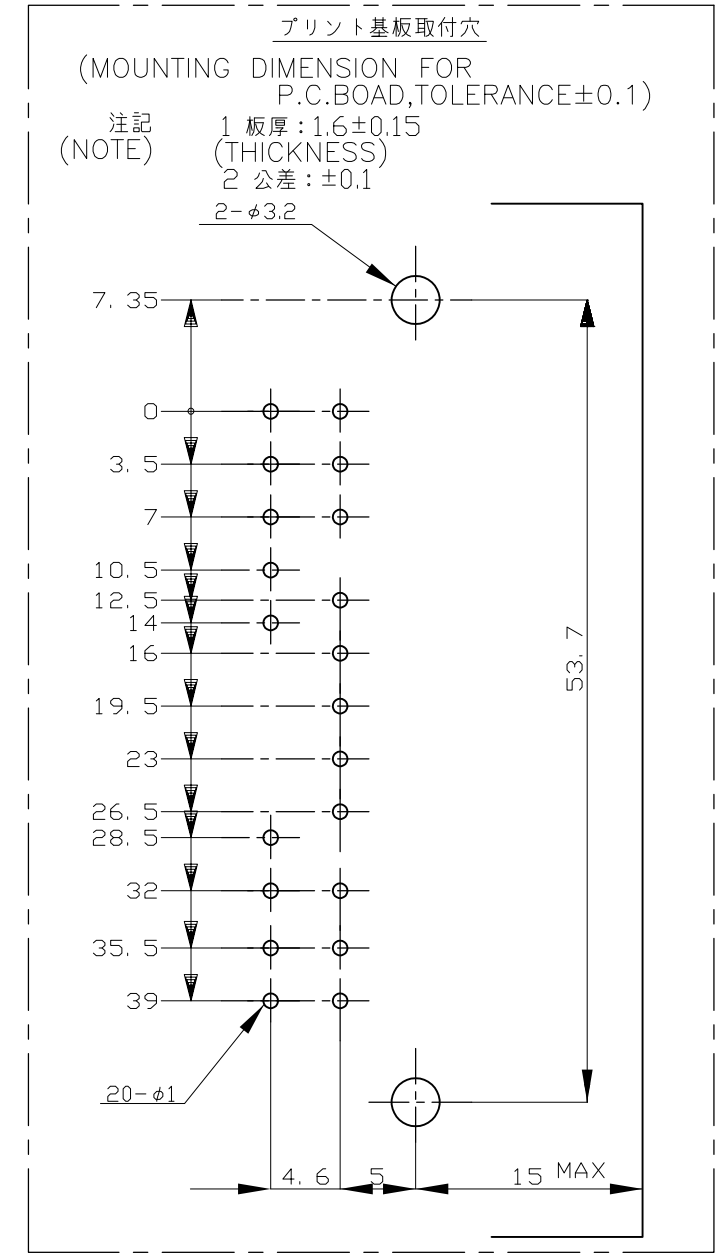
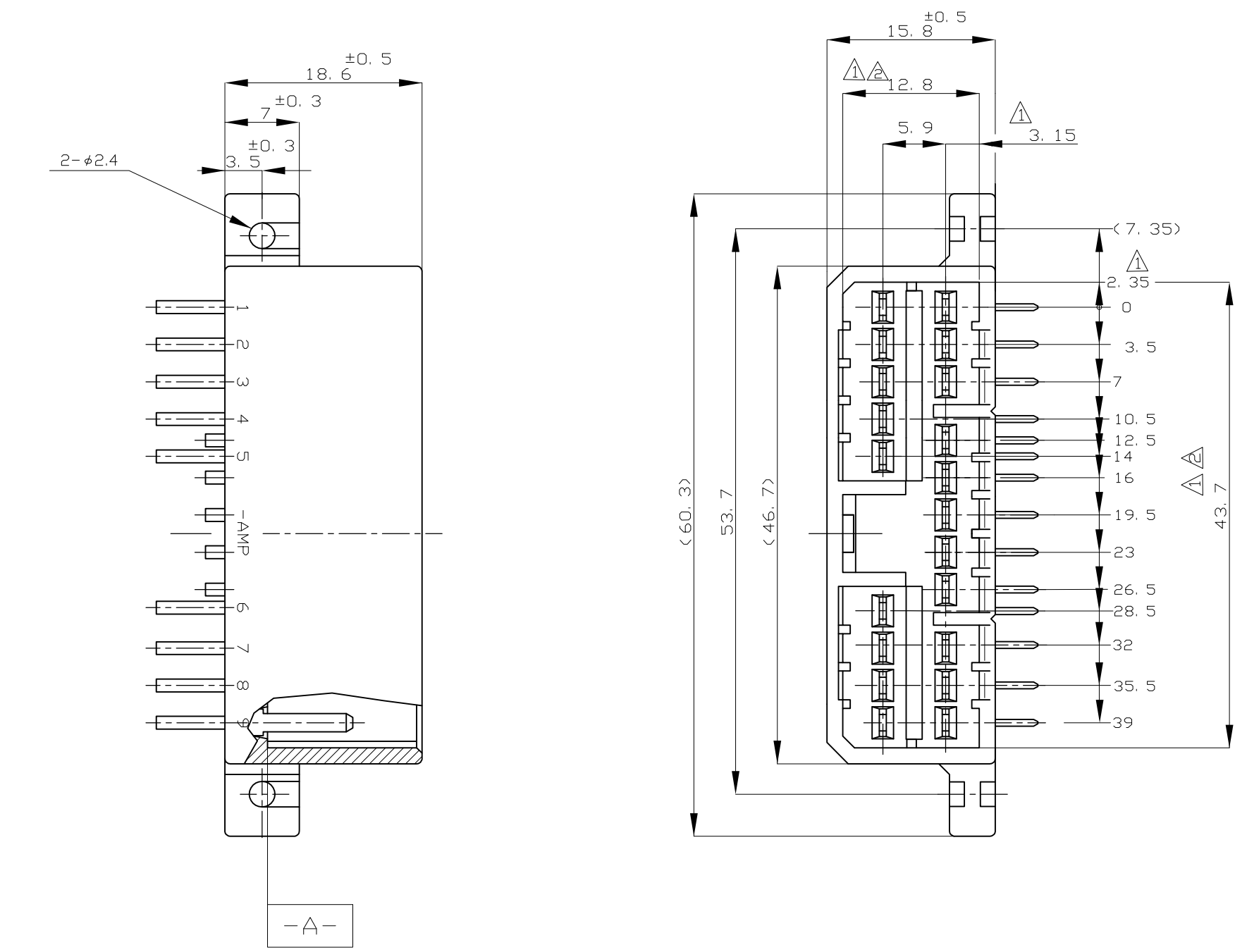


THIS DRAWING IS UNPUBLISHED. RELEASED FOR PUBLICATION
 © COPYRIGHT 2004 By - ALL RIGHTS RESERVED.

LOC		DIST		REVISIONS			
J	-	P	LTR	DESCRIPTION	DATE	DWN	APVD
		D4		REVISED PER ECO-11-005140	28MAR11	RK	HMR



注記 \triangle \square \square 面より2mmの範囲で測定
 \triangle 相手ハウジング (型番: 174952) と
 所定の機能を満たして嵌合できること
 3 プリント基板への取付けは、JIS-B1115
 又は1122, M3X6ナベ (2種又は4種) の
 タッピングネジで締め付けた後ハンダ付けする。
 (締め付けトルク: 4kg-cm以下)

NOTE \triangle MUST BE KEPT BETWEEN \square AND 2
 \triangle TO MATE WITH PLUG HSG
 (P/N 174952) SMOOTHLY
 3 RECOMMEND MOUNTING SCREW; M3X6 PAN HEAD,
 CLASS 2 TAPPING SCREW SPECIFIED IN
 JIS B1115, B1122
 (TIGHTENING TORQUE; 4Kg-cm MAX)

TOLERANCE UNLESS OTHERWISE SPECIFIED: 一般公差

0 < * ≤ 10	: ±0.2
10 < * ≤ 30	: ±0.25
30 < * ≤ 100	: ±0.3
ANGLE	: ±3°
角度	

OBSOLETE	BRASS	SELECTIVE-TIN	PRE-TIN	BLACK	9-175785-2
	BRASS		PRE-TIN	GRAY	175785-6
	BRASS	SELECTIVE-TIN (MATTE)	SELECTIVE GOLD	WHITE	175785-3
	PHOSPHOR BRONZE		PRE-TIN	WHITE	175785-2
	BRASS		PRE-TIN	WHITE	175785-1
	CONTACT MATERIAL	SOLDERING SIDE 半田付け部	CONTACT SIDE 接触部側	COLOR 色	PART NUMBER 製品型番
		CONTACT FINISH コンタクト仕上げ			

THIS DRAWING IS A CONTROLLED DOCUMENT.

DIMENSIONS: 単位: 純 mm	TOLERANCES UNLESS OTHERWISE SPECIFIED: 一般公差	DWN A.YAMAGUCHI 19FEB04														
	<table border="1"> <tr> <td>0 PLC</td> <td>±</td> </tr> <tr> <td>1 PLC</td> <td>-</td> </tr> <tr> <td>2 PLC</td> <td>-</td> </tr> <tr> <td>3 PLC</td> <td>-</td> </tr> <tr> <td>4 PLC</td> <td>-</td> </tr> <tr> <td>ANGLES</td> <td>±</td> </tr> </table>	0 PLC		±	1 PLC	-	2 PLC	-	3 PLC	-	4 PLC	-	ANGLES	±	CHK K.BETSUI 19FEB04	NAME 名称
		0 PLC		±												
		1 PLC		-												
2 PLC	-															
3 PLC	-															
4 PLC	-															
ANGLES	±															
MATERIAL 材料	FINISH 仕上	APVD K.BETSUI 19FEB04	070 SERIES MULTILOCK I/O CONNECTOR													
HSG:PBT	SEE TABLE	PRODUCT SPEC 製品規格	20POSITION CAP HOUSING													
TAB:SEE TABLE		APPLICATION SPEC 取付適用規格	(W-B(H-TYPE))													
		WEIGHT -	SIZE A2													
		CUSTOMER DRAWING	CAGE CODE 00779													
			DRAWING NO 番号 C=175785													
			RESTRICTED TO -													
			SCALE 尺度 2:1													
			SHEET 1 of 1													
			REV D4													