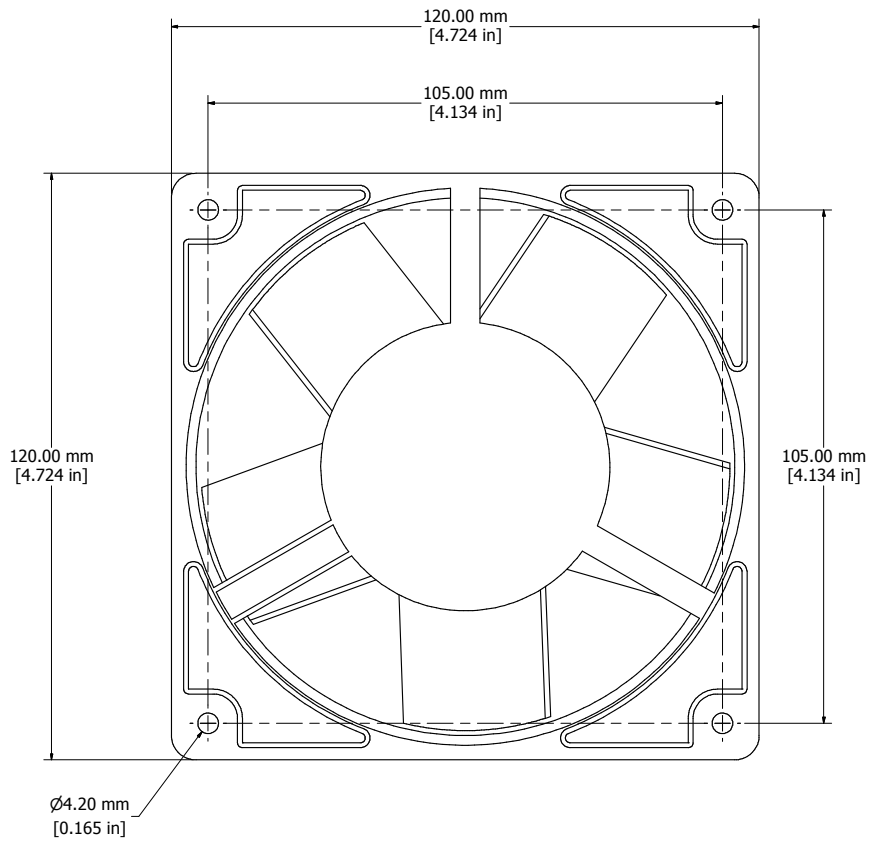
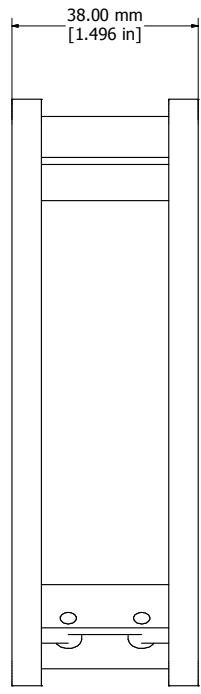


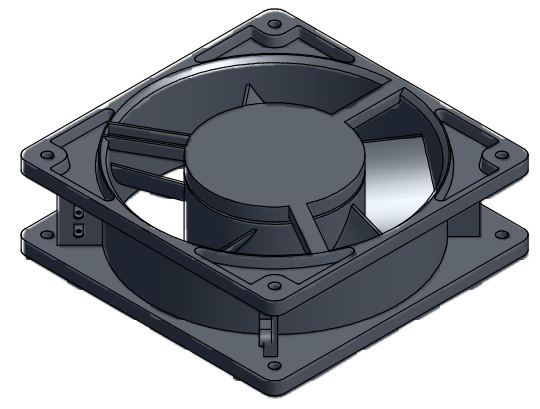
8 | 7 | 6 | 5 | 4 | 3 | 2 | 1



TOP VIEW



SIDE VIEW



ISOMETRIC VIEW

DNMF100AC230
Finish - Housing - Black Painted Aluminum
- Fan - Black Painted Steel
Rated - 230 VAC, 50/60 Hz, 0.09 Amps
Free Flow Air Delivery - 105 CFM
Hardware
4 Screws - Panhead Self-tapping 10-32 x 1/2"
8 Screws - Type F 10-24 x 3/8"
4 Bolts - 8-32 x 2"
4 Hex Nuts - 8-32 Thread
4 External Tooth Washers



**HAMMOND
MANUFACTURING™**

DNMF100AC230

www.hammondmfg.com

8 | 7 | 6 | 5 | 4 | 3 | 2 | 1