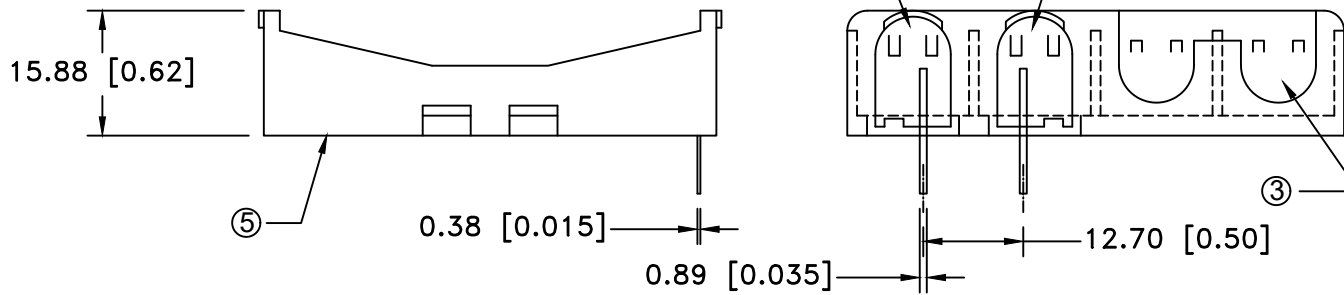
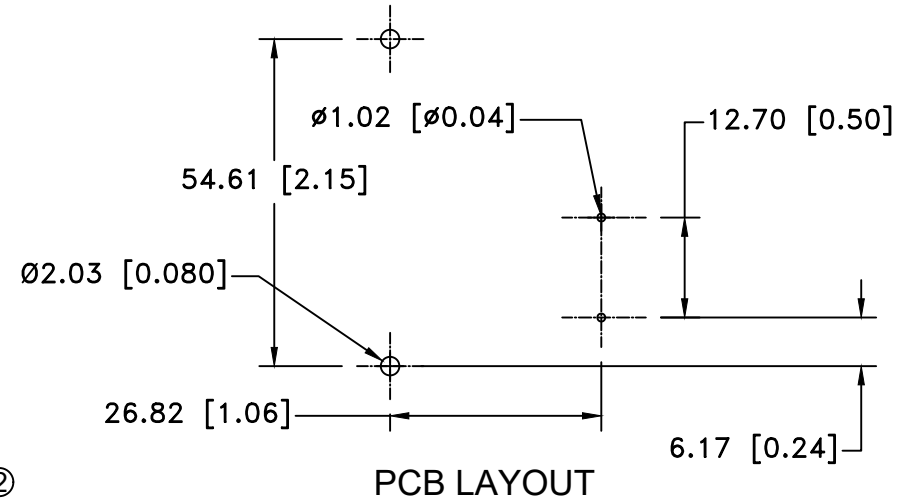
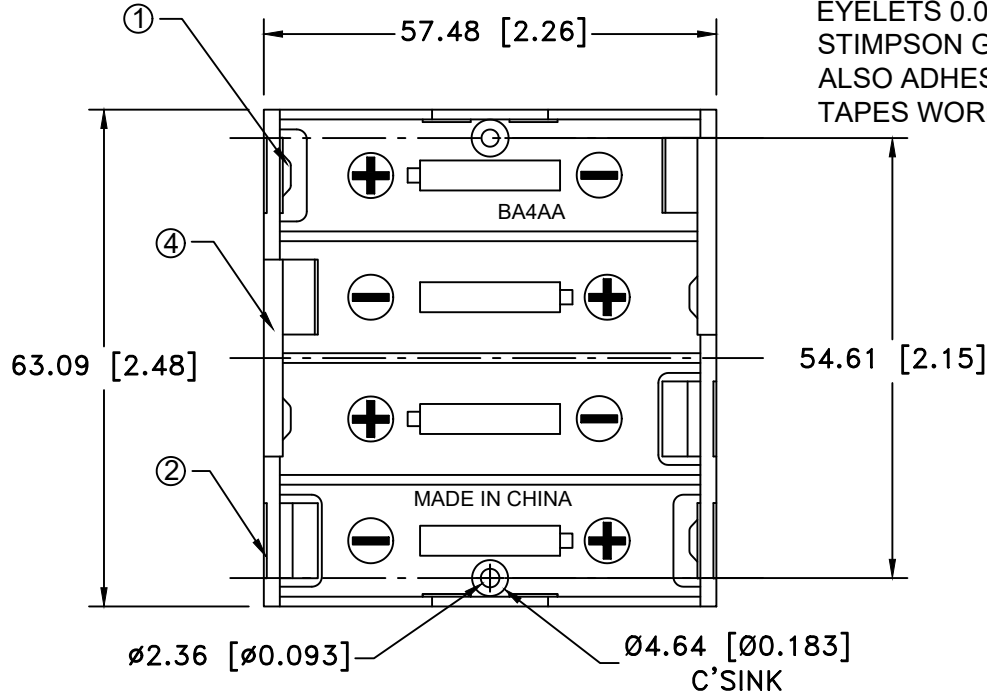


MOUNTING INSTRUCTION:

USE 2-56 MACHINE SCREWS OR EYELETS 0.089" OD BY 0.15" FLANGE STIMPSON GS-3 SERIES OR EQUIVALENT. ALSO ADHESIVES AND DOUBLE SIDED TAPES WORK WELL.

| Date | SYM | REVISION RECORD | AUTH | DR. | CK. |
|----------|-----|---|------|------|-----|
| 10/09/09 | D | Added specification. | T.B. | B.S. | |
| 10/17/14 | E | Updated to ROHS 2 Compliant | T.B. | B.S. | |
| 07/01/16 | F | Changed contact material to 301 Stainless Steel | T.B. | B.S. | |
| 05/11/18 | G | Dim. 2.03 was 2.36 | T.B. | B.S. | |
| 03/06/19 | H | Updated to "ROHS Compliant" | T.B. | B.S. | |



SPECIFICATION:

- HOUSING : BLACK POLYPROPYLENE
 FLAMMABILITY RATING -UL94-HB, UL FILE NO. E216959
 TEMPERATURE RANGE: -10°C to +100°C
 CONTACTS: NICKEL PLATED STAINLESS STEEL
 CONTACT RESISTANCE: UNDER 50mΩ FOR +/- CONTACTS PER EIA-540J000
 ROHS COMPLIANT

| ITEM NO. | PART NO. | MATL. SPECIFICATION | QTY. | Tolerance (Except as noted) | MPD Memory Protection Devices, Inc 200 Broad Hollow Road, Farmingdale, New York 11735 | | |
|----------|-----------|--|------|--------------------------------|--|----------------|------------------|
| 1 | ABG-194 | POSITIVE CONTACT, 301 STAINLESS STEEL, NICKEL PLTD. | 2 | decimal | Scale | Drawn By B.S. | Approved By T.B. |
| 2 | ABG-195 | NEGATIVE CONTACT, 301 STAINLESS STEEL, NICKEL PLTD. | 2 | ±.5 (.020) | | | |
| 3 | ABG-196-1 | RIGHT NEG./POS. CONTACT, 301 STAINLESS STEEL, NICKEL PLTD. | 1 | Fractional | Title FOUR "AA" CELL SPRINGLESS HOLDER | | |
| 4 | ABG-196-2 | LEFT NEG./POS. CONTACT, 301 STAINLESS STEEL, NICKEL PLTD. | 1 | ± .8 (.030) | | | |
| 5 | ABG-187 | BLACK POLYPROPYLENE HOLDER, UL94-HB | 1 | Angular | Date | Drawing Number | |
| | | | | ± 3° | 03/06/19 | BA4AAPC | |