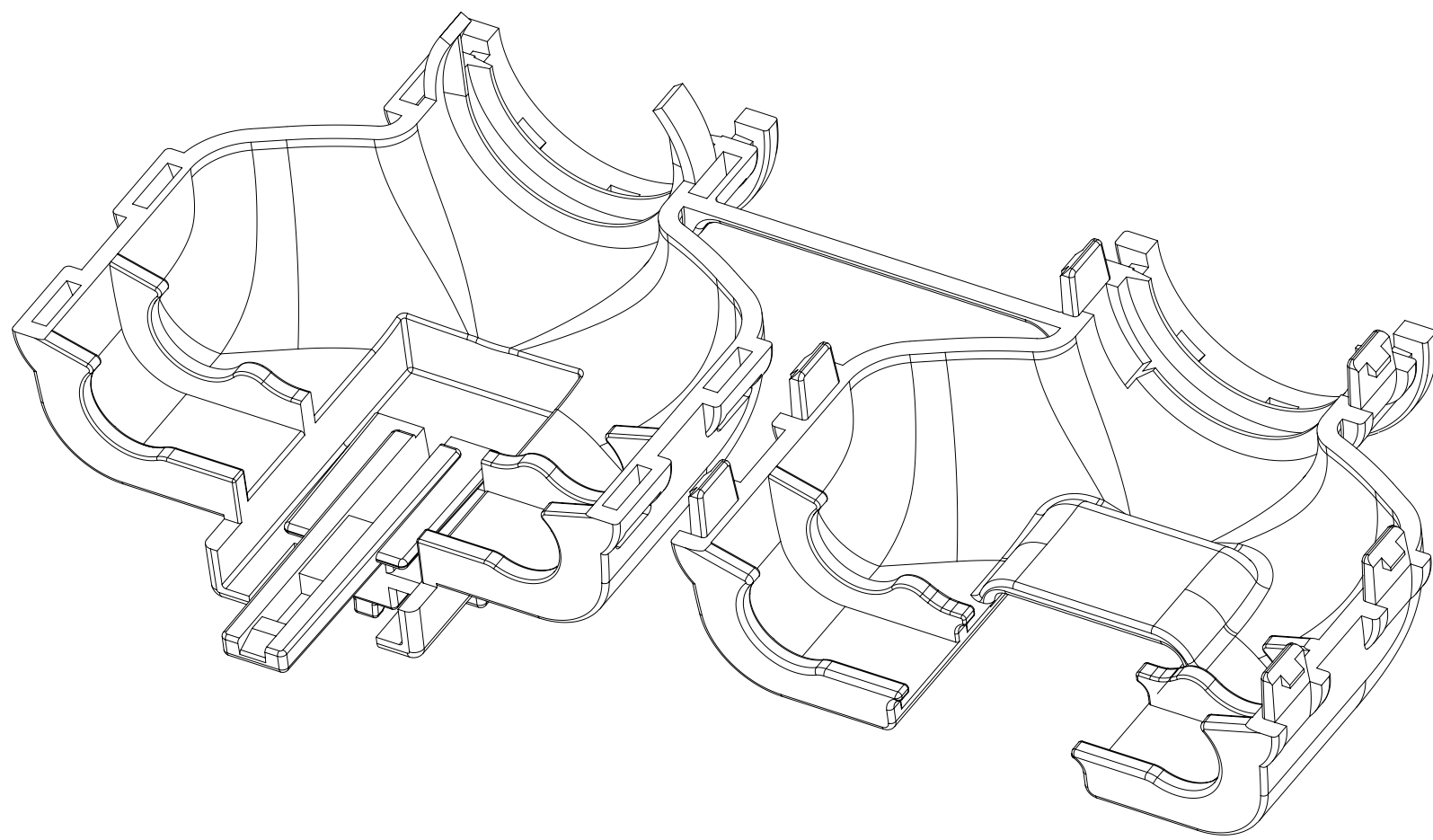
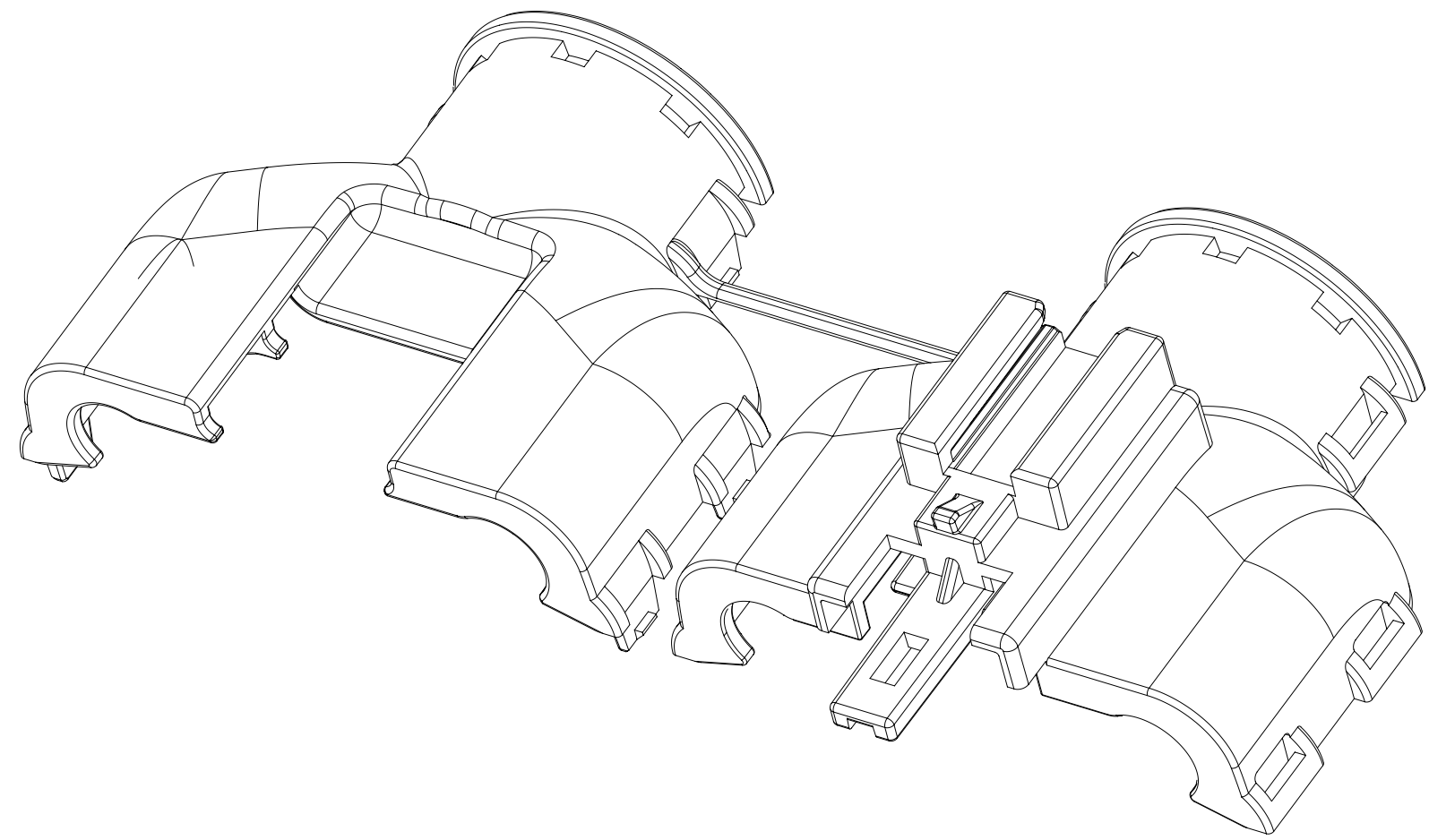


BILL OF MATERIALS (BOM)					
PART NUMBER	CIRCUIT SIZE	CONVOLUTE SIZE	RIBS	STATUS	MATING ASSEMBLY DRAWING
349521611	16	NW 17	YES	SALEABLE	SD-34985-8001



BACKSHELL NOTES: VALID UNLESS OTHERWISE SPECIFIED

1. GENERAL:
  - a. APPLICATION SPECIFICATION SEE: AS-34951-001
    - DESIGNED TO MATE WITH RECEPTACLE SEALED ASSEMBLY AS SPECIFIED IN BOM
    - COMPONENTS ARE OPTIONAL AND MUST BE PURCHASED SEPERATELY
    - BACKSHELL DESIGN IS OWNED BY SCHLEMMER
  - b. PRODUCT SPECIFICATION
    - THESE PRODUCTS ARE ONE TIME USE ONLY.
    - REMOVAL FORCE OF THE BACKSHELL FROM THE MOLEX CONNECTOR TO BE 100N MIN.
    - REMOVAL FORCE OF SLIT CONVOLUTE FROM THE WITH RIB OPTION BACKSHELLS TO BE 100N MIN.
    - REMOVAL FORCE OF UNSLIT CONVOLUTE FROM THE WITH RIB OPTION BACKSHELLS TO BE 100N MIN.
  - c. PACKAGING SPECIFICATION SEE PK-31302-118
  - d. PARTS MUST BE IN COMPLIANCE TO MOLEX CHEMICAL SUBSTANCES FOR PRODUCTS AND PACKAGING SPECIFICATION: QEHS-699000-300
  - e. DATA MUST BE SUBMITTED UNDER THE MOLEX PART NUMBER TO IMDS (COMPANY ID#13255)
  - f. FOLLOWING PRODUCTION CODES TO BE PRESENT
    - DATE CODE
    - MOLD CAVITY CODE
    - MOLEX LOGO
    - RECYCLE CODE
    - SUPPLIER PART NUMBER
  - g. CONNECTOR MUST HAVE CLIPSLOT FEATURE FOR USE WITH MOLEX BACKSHELLS

2. DESIGN - MATERIALS:

- a. PA66 0% GLASS FILLED
- b. BLACK

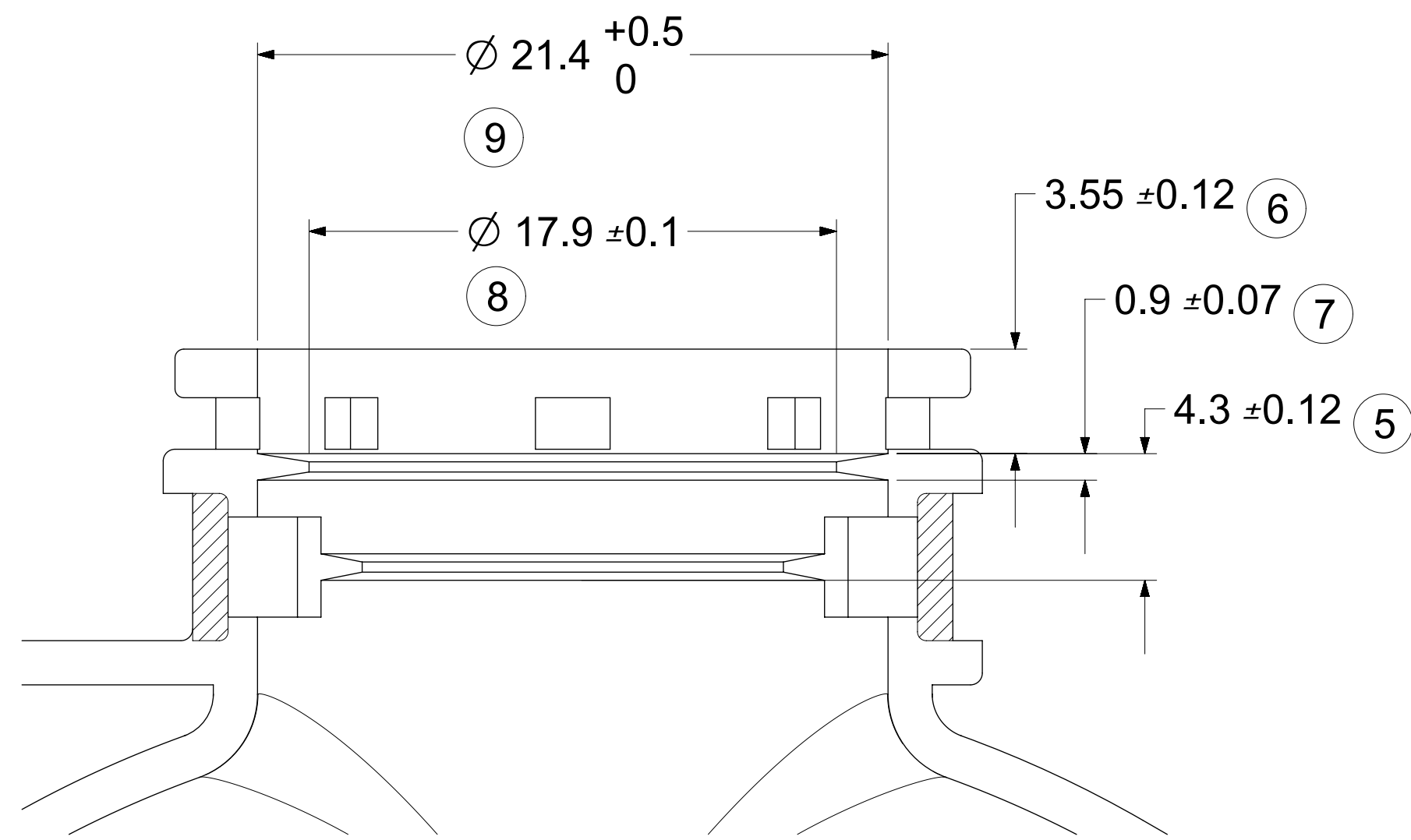
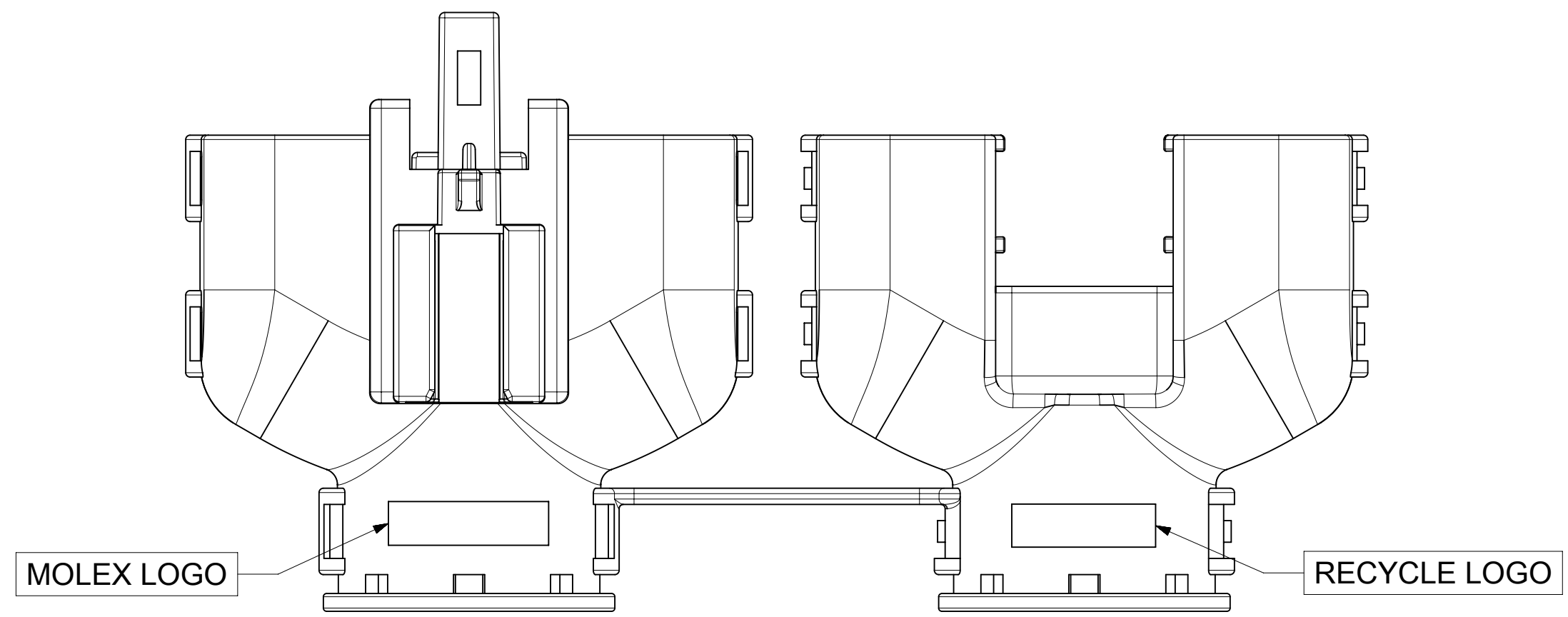
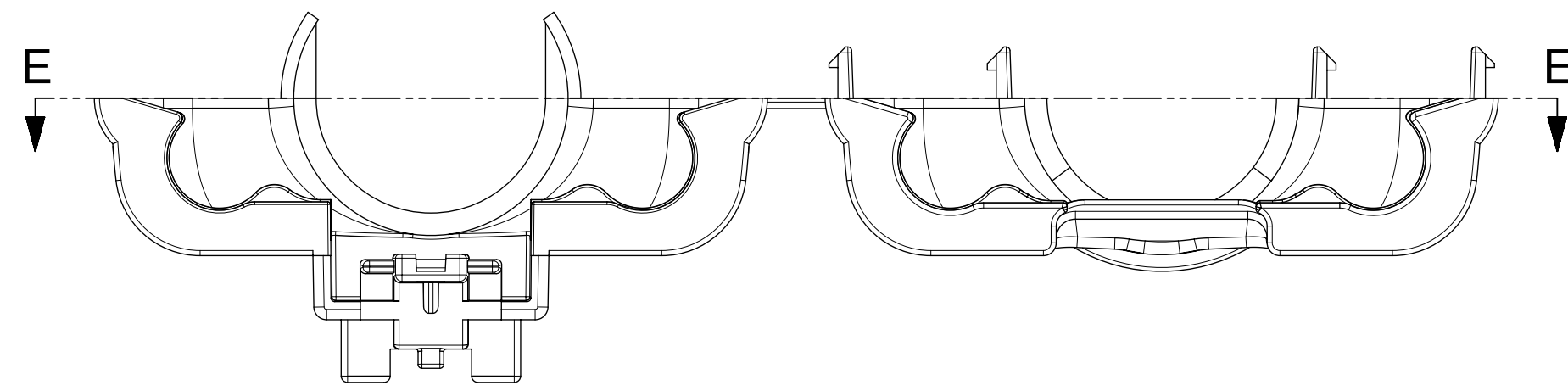
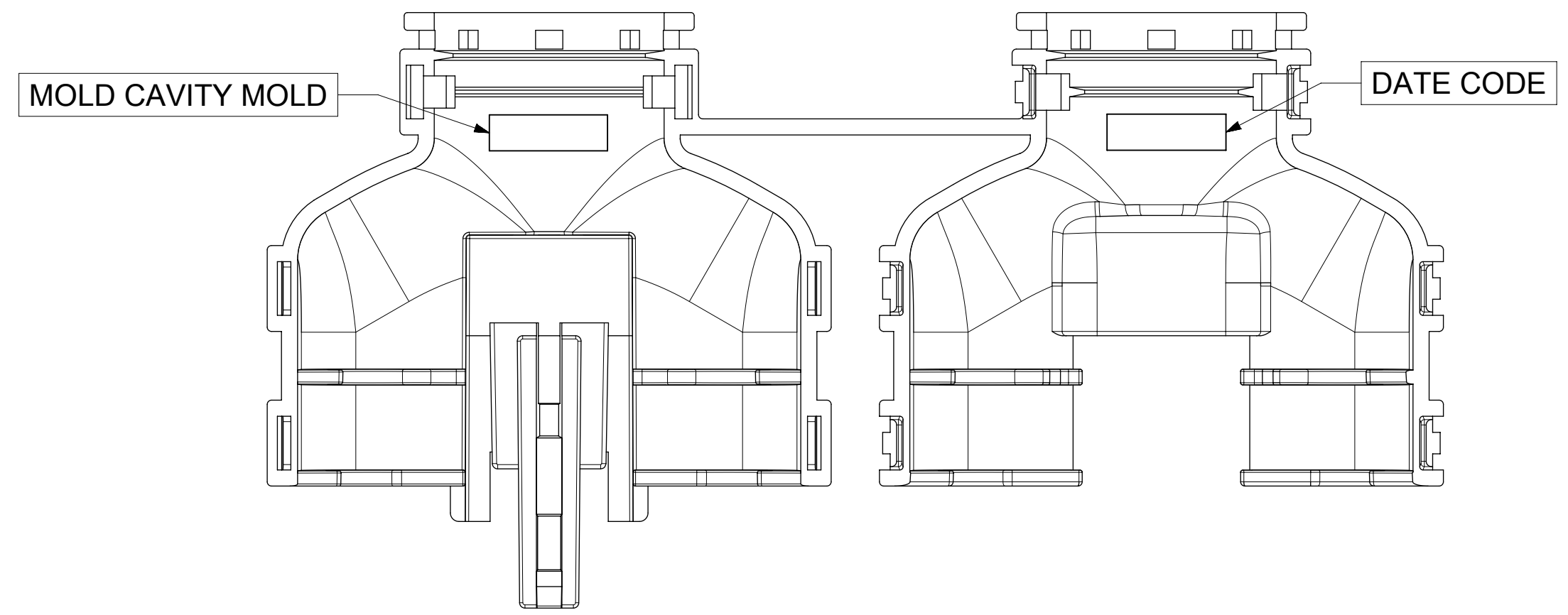
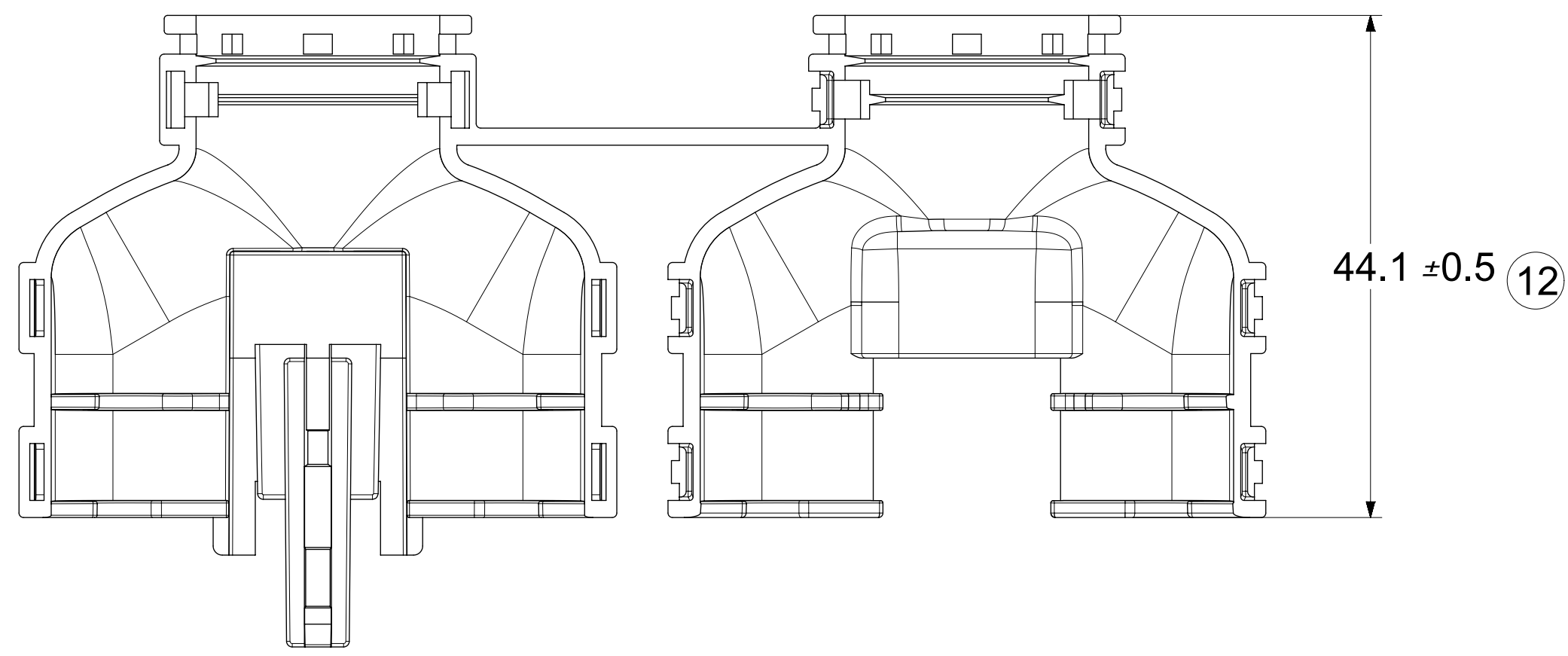
3. DESIGN GEOMETRY:

- a. THIS IS A 100% CAD GENERATED PART. THE CAD MATHEMATICAL DATA IS THE MASTER FOR THIS PART. FOR DIMENSIONAL OR ANY INFORMATION NOT SHOWN ON THIS DRAWING, ANALYZE THE CAD MODEL.
- b. GEOMETRIC DIMENSIONS AND TOLERANCES PER ASME Y14.5M - 2009
- c. CORNERS SHOWN AS SHARP TO BE R 0.1.
- d. VISUAL DEFECTS SHALL MEET COSMETIC STANDARD PS-45499-002 (CLASS B).
- e. DRAFT OF 2° PRESENT.
- f. ALLOWABLE FLASH, PARTING LINES MISMATCH, EJECTOR PINS MARK, AND GATE

VESTIGE TO BE +0.30 MAX PROTUSION.

B	RELEASE TO GENERAL MARKET
A5	UPDATED NOTES
A4	REVISE TOLERANCES
A3	UPDATE LOGO CALLOUT
A2	RELEASE FOR SALEABLE
A	DRAWING RELEASE
REV	DESCRIPTION

SYMBOLS	DIMENSION UNITS	SCALE	CURRENT REV DESC:	molex			
▽ = 0	mm	2:1	EC NO: 621829 DRWN: HGIBOR 2019/08/02 CHK'D: MVANSLAMBROU 2019/08/09 APPR: MVANSLAMBROU 2019/08/09 INITIAL REVISION: DRWN: JPATE01 2017/04/26 APPR: MVANSLAMBROU 2017/10/05 DRAFT WHERE APPLICABLE MUST REMAIN WITHIN DIMENSIONS	<b>MX150 HYB RCPT BACKSHELL ASM</b>			
▽ = 0	GENERAL TOLERANCES (UNLESS SPECIFIED)						
▽ = 0	ANGULAR TOL ± 3.0°			DOCUMENT NUMBER	DOC TYPE	DOC PART	REVISION
▽ = 0	4 PLACES	±		<b>349520001</b>	PSD	000	<b>B</b>
▽ = 0	3 PLACES	±					
▽ = 0	2 PLACES	± 0.1		MATERIAL NUMBER CUSTOMER SHEET NUMBER			
▽ = 0	1 PLACE	± 0.2	<b>349520001</b>	GENERAL	<b>1 OF 2</b>		
▽ = 0	0 PLACES	±					
■ = 0	DRAFT WHERE APPLICABLE MUST REMAIN WITHIN DIMENSIONS		THIRD ANGLE PROJECTION	DRAWING	SERIES		
▽ = 0				<b>D-SIZE</b>	<b>34952</b>		



SECTION E-E

SYMBOLS	THIS DRAWING CONTAINS INFORMATION THAT IS PROPRIETARY TO MOLEX ELECTRONIC TECHNOLOGIES, LLC AND SHOULD NOT BE USED WITHOUT WRITTEN PERMISSION		
	DIMENSION UNITS	SCALE	CURRENT REV DESC:
▽ = 0	mm	2:1	<p>EC NO: 621829          DRWN: HGIBOR 2019/08/02          CHK'D: MVANSLAMBROU 2019/08/09          APPR: MVANSLAMBROU 2019/08/09</p> <p>INITIAL REVISION:          DRWN: JPATE01 2017/04/26          APPR: MVANSLAMBROU 2017/10/05</p> <p>DRAFT WHERE APPLICABLE          MUST REMAIN WITHIN DIMENSIONS</p>
▽ = 0	GENERAL TOLERANCES (UNLESS SPECIFIED)		
▽ = 0	ANGULAR TOL ± 3.0°		
▽ = 0	4 PLACES	±	
▽ = 0	3 PLACES	±	
▽ = 0	2 PLACES	± 0.1	
▽ = 0	1 PLACE	± 0.2	
▽ = 0	0 PLACES	±	
■ = 0	THIRD ANGLE PROJECTION		<p>DRAWING SERIES</p> <p>D-SIZE 34952</p>
▽ = 0	MATERIAL NUMBER		
DOCUMENT NUMBER			349520001
DOC TYPE			PSD
DOC PART			000
REVISION			B
CUSTOMER			GENERAL
SHEET NUMBER			2 OF 2