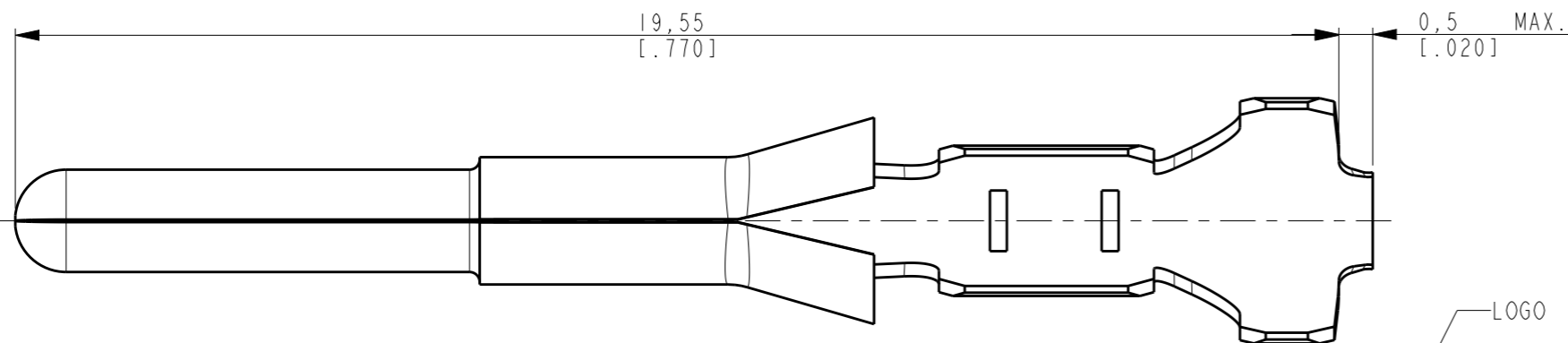


THIS DRAWING IS UNPUBLISHED. RELEASED FOR PUBLICATION 20
© COPYRIGHT 20 TE ALL RIGHTS RESERVED.

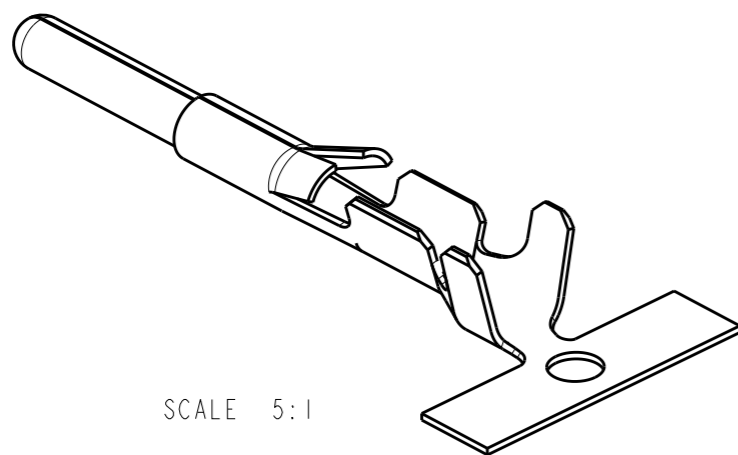
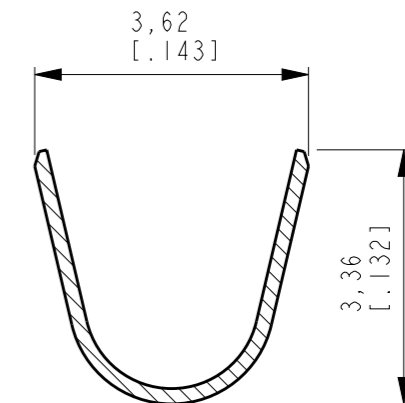
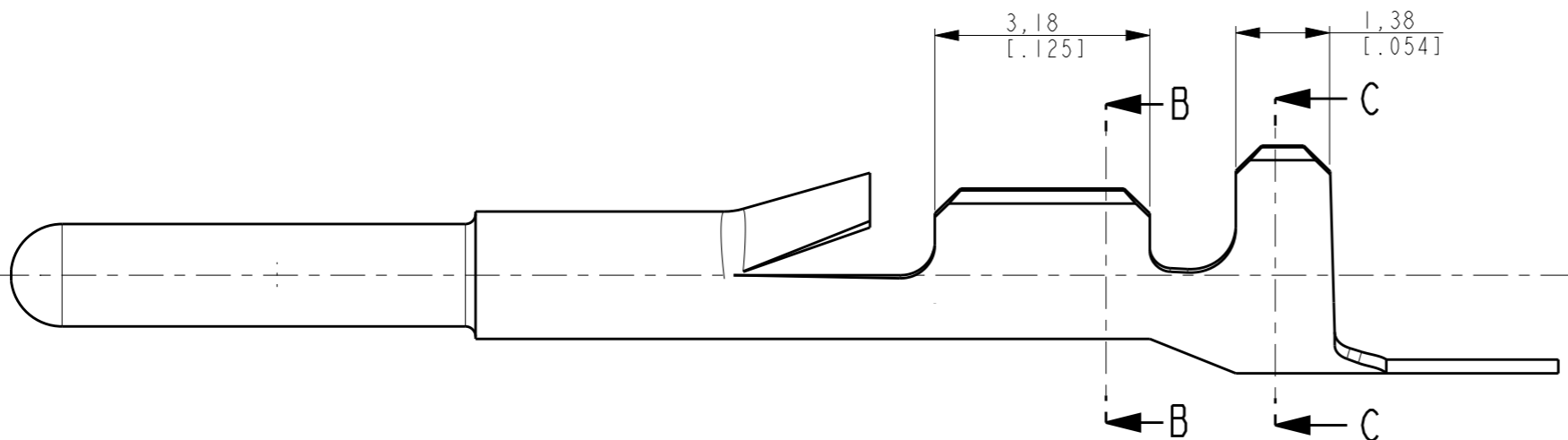
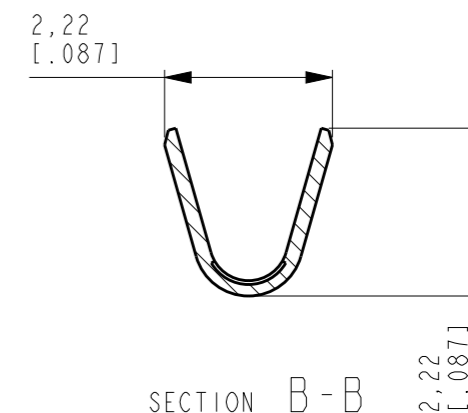
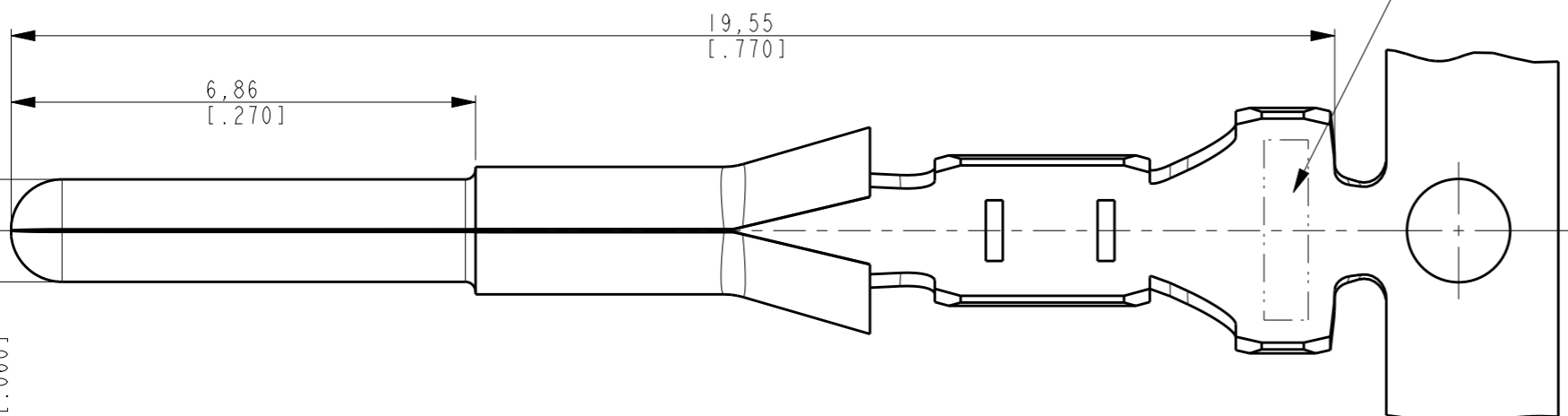
LOC AP DIST -

REVISIONS					
P	LTR	DESCRIPTION	DATE	DWN	APVD
	J	REV. ECO-11-020077	180CT2011	HC	WLS
	J1	REV. BY ECO 13-016867	300CT2013	HC	WLS



NOTES:

△ WIRE RANGE #22 TO #18 AWG; INSULATION RANGE 1,5 mm TO 2,8 mm [0.060 TO .100 INCH]



SCALE 5:1

POST-TIN OVER NICKEL	BRASS	LOOSE PIECE	61121-1
PRE-TIN	BRASS	STRIP PRODUCT	61062-3
PRE-TIN OVER NICKEL	BRASS	STRIP PRODUCT	61062-1
FINISH	MATERIAL	DESCRIPTION	PARTNUMBER

THIS DRAWING IS A CONTROLLED DOCUMENT.

DWN H.C.CANTERI 11NOV2009

CHK W.L.STEFANI 12NOV2009

APVD -

PRODUCT SPEC

108-1002

APPLICATION SPEC

WEIGHT -

CUSTOMER DRAWING

STE TE Connectivity

NAME .060 COMBOLINE PIN

SIZE A3 CAGE CODE 00779 DRAWING NO C-61062 RESTRICTED TO -

SCALE 10/1 SHEET 1 OF 1 REV J1

DIMENSIONS: mm [inch]		TOLERANCES UNLESS OTHERWISE SPECIFIED:	
	±	0 PLC	±
	±	1 PLC	±
	±0,31 (.012)	2 PLC	±0,31 (.012)
	±	3 PLC	±
	±	4 PLC	±
	±2°	ANGLES	±2°
MATERIAL -	FINISH -		