

PART NAME: CASE SCALE: 1:1 DATE: 3/8/63 DR. BY LS

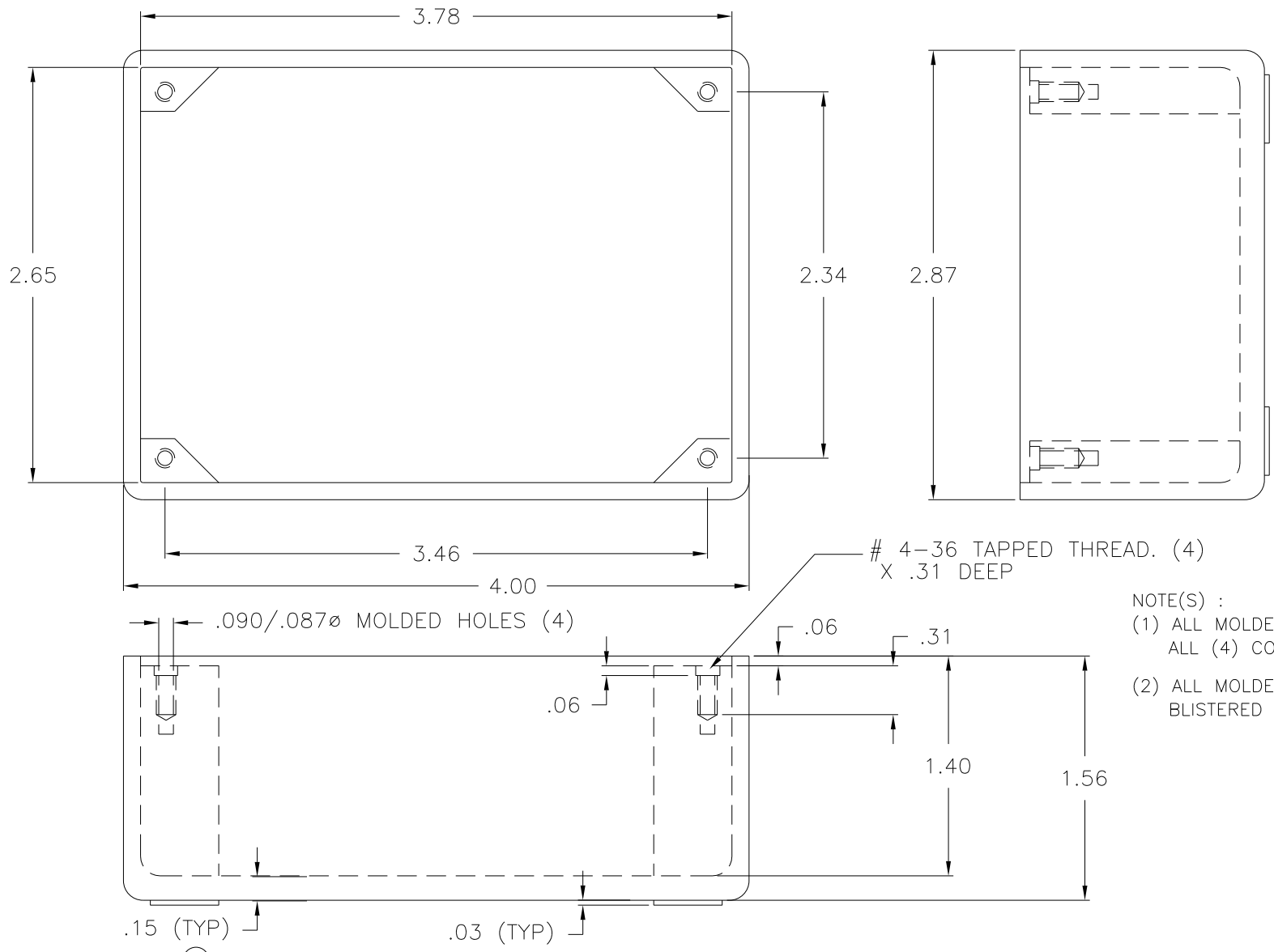
THIS DRAWING IS THE PROPERTY OF DAVIES MOLDING COMPANY, IS SUBMITTED SOLELY AS A DESIGN OR ENGINEERING PROJECT. WE ACCEPT NO RESPONSIBILITY WHATSOEVER FOR THE PRACTICAL APPLICATION OF THE PIECES MADE TO THIS DESIGN.



DESIGNERS & MANUFACTURERS OF KNOBS, HANDLES, CASES & CUSTOM PLASTIC COMPONENTS

P/N 0220
BASE PART 0220-01

(A)



NOTE(S) :
 (1) ALL MOLDED CASE(S) MUST BE ROUTED ALL (4) CORNERS AT THE MOLDING PRESS.
 (2) ALL MOLDED CASE(S) MUST BE FREE OF BLISTERED AND BOWED CONDITION.

(B)
 MATERIAL: #2535 PHENOLIC (B35)
 COLOR: BLACK

TOLERANCES: UNLESS OTHERWISE SPECIFIED	DO NOT SCALE DRAWING	B	WAS G.P. PHENOLIC (B11)	JAM	3/18/16
DECIMALS: X.XXX \pm .005 X.XX \pm .015	MM: X.XX \pm 0.15MM X.X \pm 0.4MM	A	ADDED BASE PART	JAM	4/23/14
FRACTIONS \pm 1/64	ANG. \pm 1°	-	CAD/REDRAWN	HD	8/17/94
CHANGES					