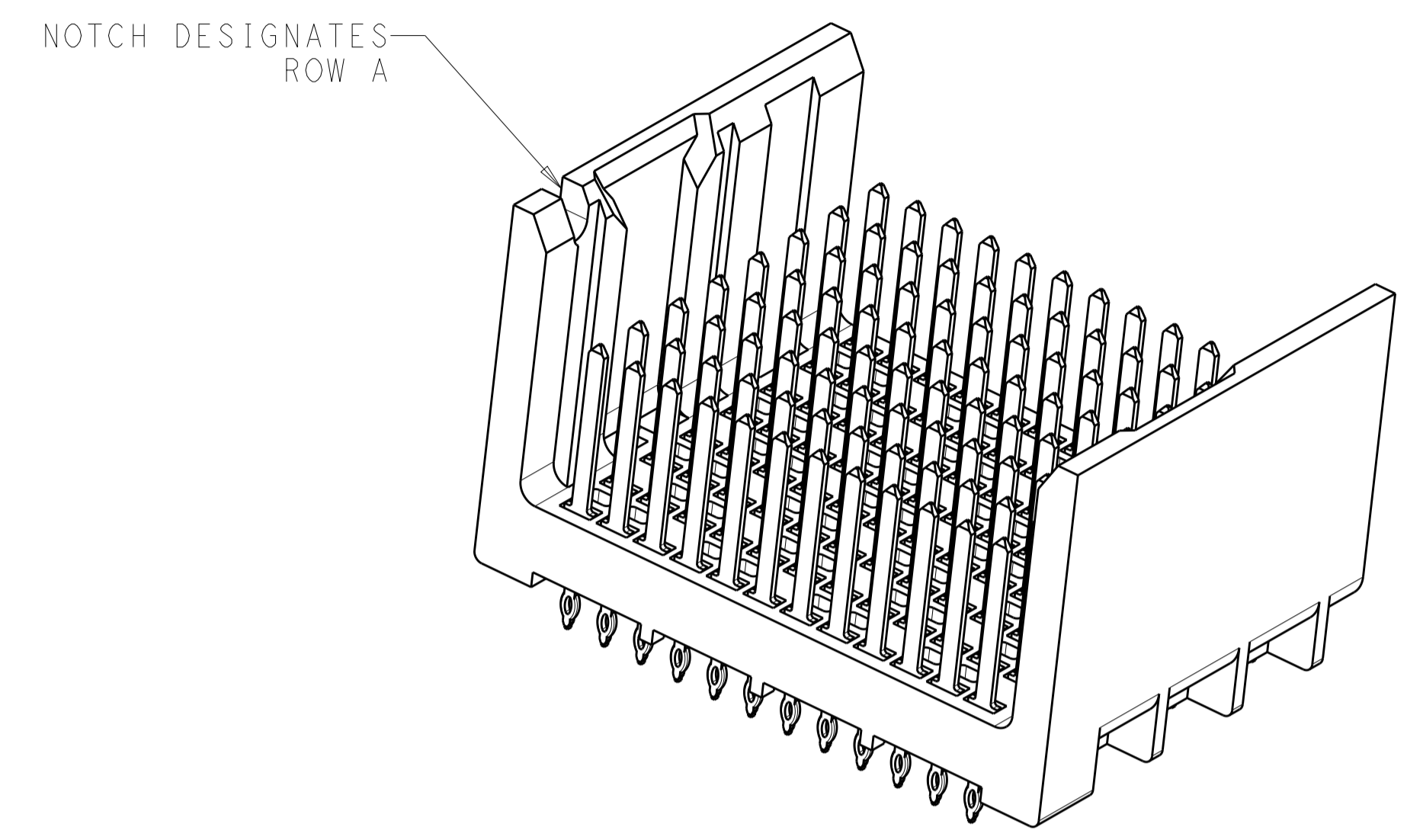
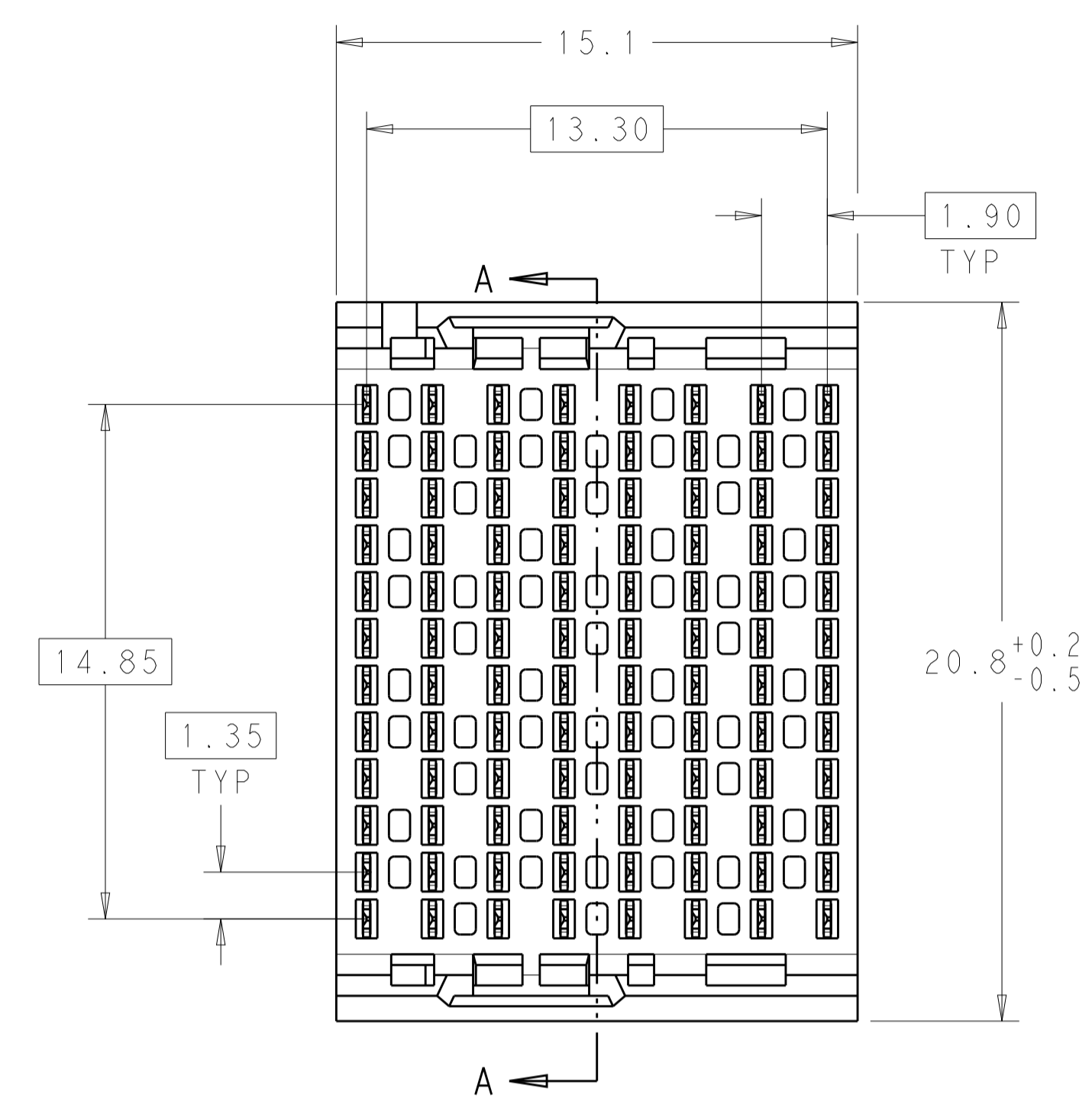
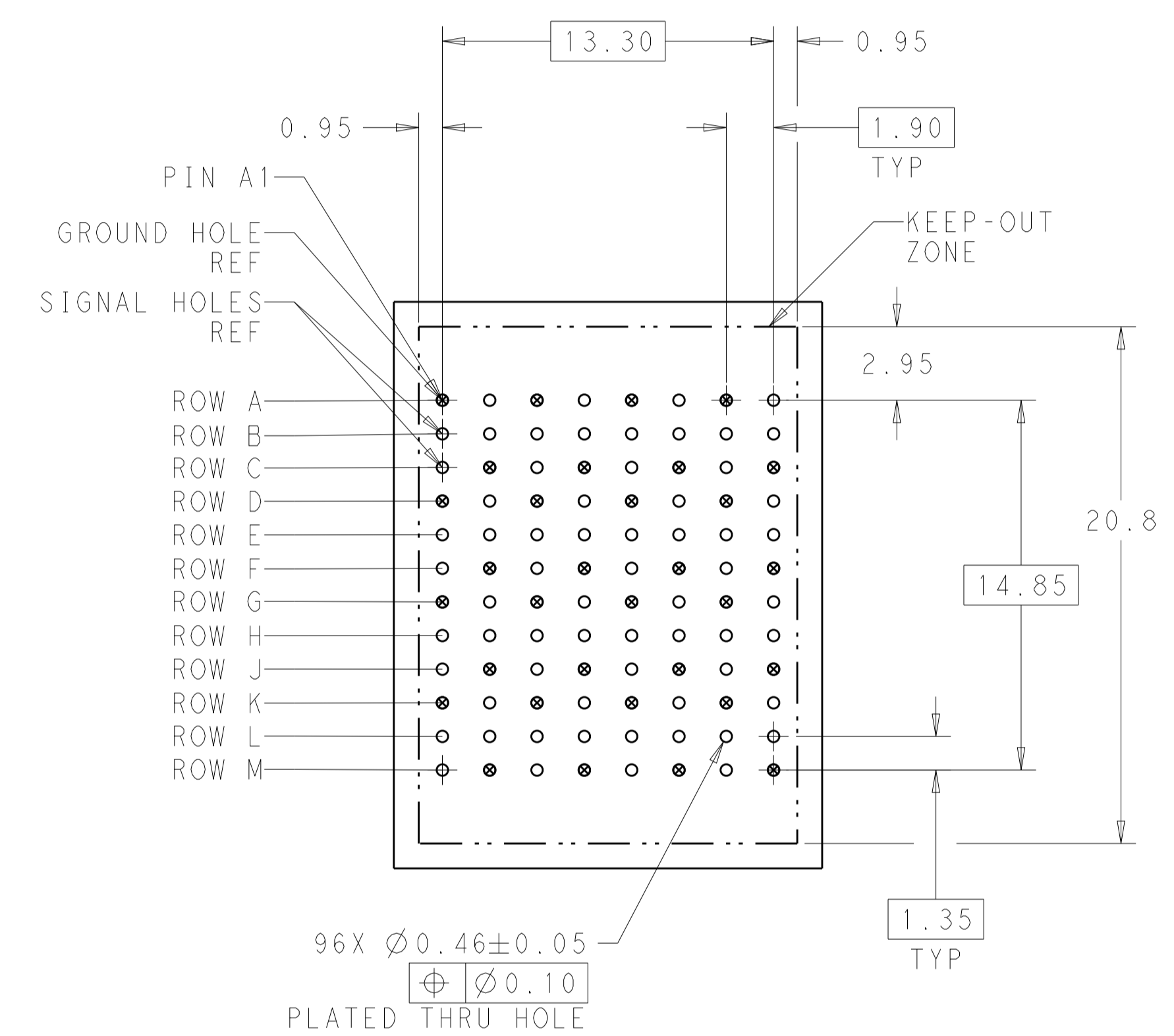


REVISIONS				
P.	LTN	DESCRIPTION	DATE	DWN APVD
A1		REVISED PER ECO-15-001494	05FEB2015	AP DD

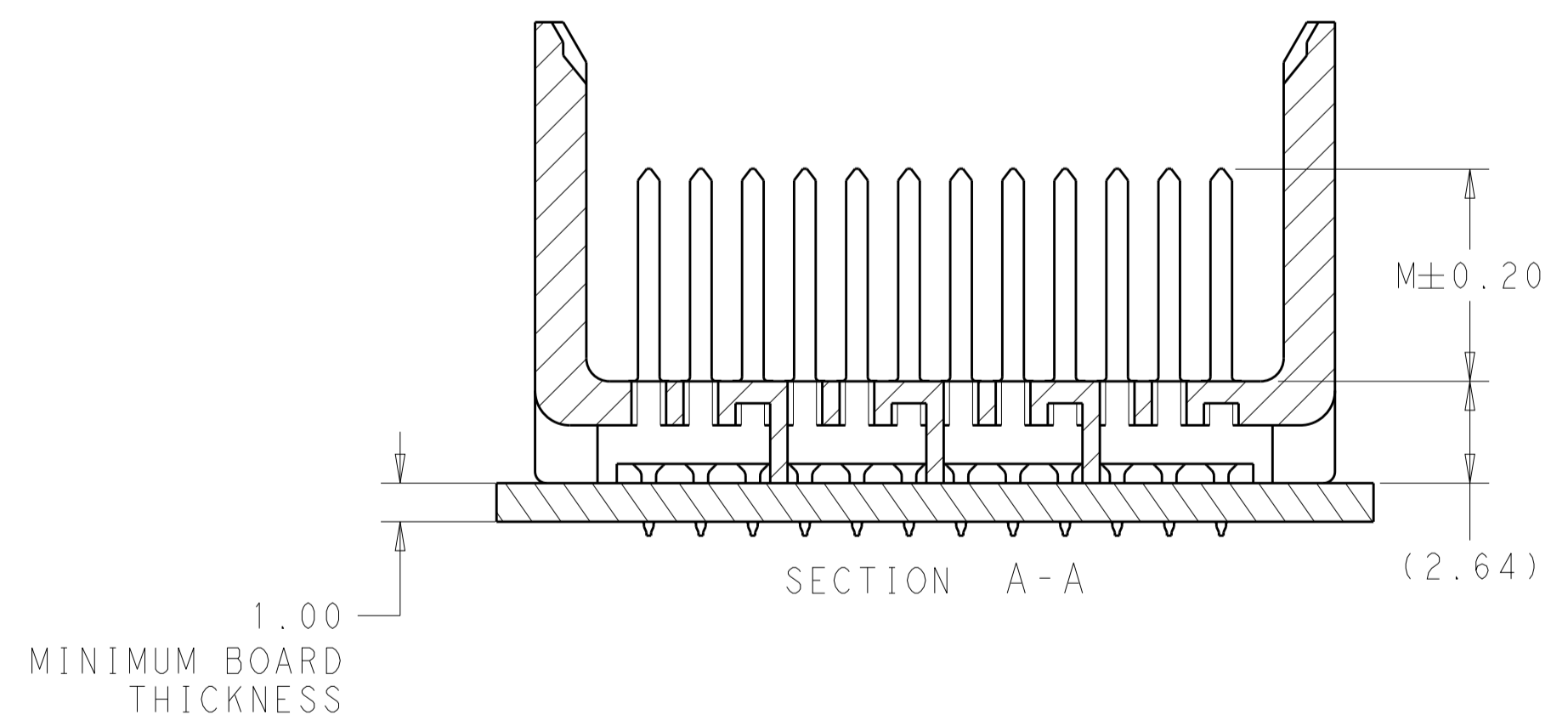
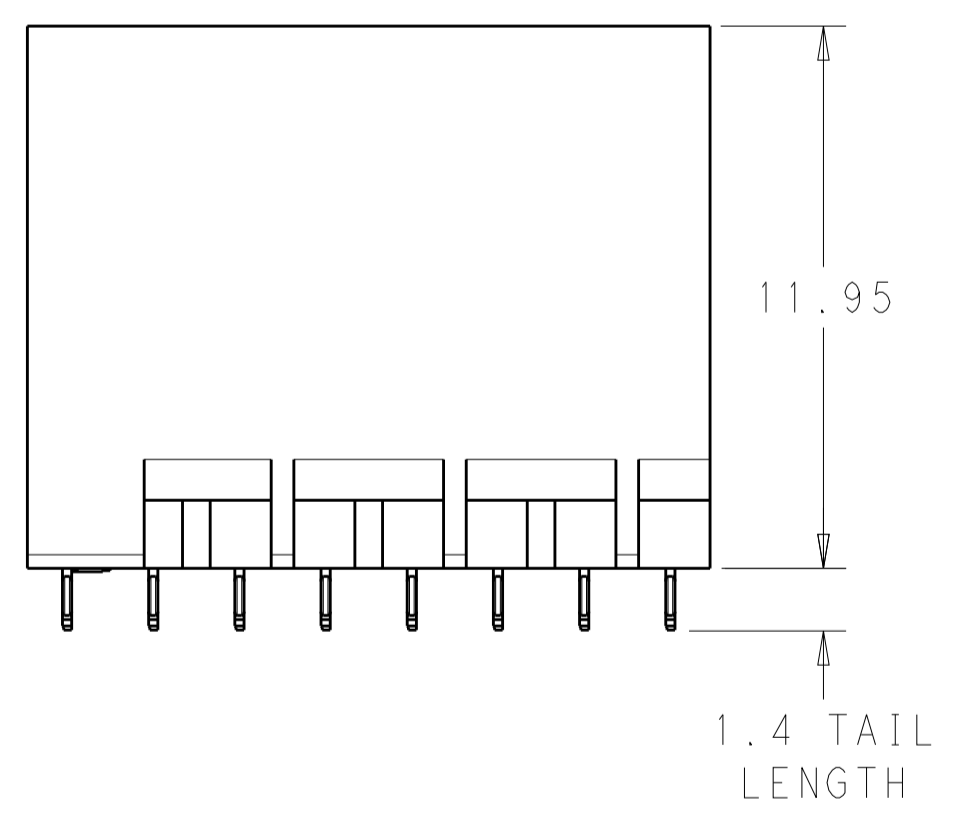


1 MATERIAL:  
 HOUSING: LCP, GLASS FILLED, UL94V-0.  
 TERMINALS: HIGH PERFORMANCE COPPER ALLOY.

2 FINISH:  
 30μ" MIN GOLD IN CONTACT AREA. SELECTIVE TIN  
 ON PCB TAILS, NICKEL OVERALL.



UNGUIDED  
 BACKPLANE HOLE PATTERN  
 (CONNECTOR SIDE)



THIS DRAWING IS A CONTROLLED DOCUMENT.		DWN R. GRZYBOWSKI 14JUN2011	TE Connectivity	
DIMENSIONS: mm		CHK J. EARY 14JUN2011		
TOLERANCES UNLESS OTHERWISE SPECIFIED:		APVD J. EARY 14JUN2011	NAME IMPACT, 4 PAIR, 8 COLUMN, HEADER UNGUIDED, OPEN END WALL SIGNAL MODULE, 0.46 PTH	
0 PLC ± 1 PLC ±0.25 2 PLC ±0.13 3 PLC ± 4 PLC ± ANGLES ±		PRODUCT SPEC	SIZE CAGE CODE DRAWING NO. RESTRICTED TO	
MATERIAL SEE TABLE		APPLICATION SPEC	A100779C=2057442	
FINISH SEE TABLE		WEIGHT	CUSTOMER DRAWING	
		SCALE 6:1	SHEET 1 OF 2 REV A1	

THIS DRAWING IS UNPUBLISHED.	RELEASED FOR PUBLICATION	20
© COPYRIGHT 20	BY -	ALL RIGHTS RESERVED.

REVISIONS					
P.	LTN	DESCRIPTION	DATE	DMN	APVD
-	-	SEE SHEET 1	-	-	-

	5.5	2057442-3
	4.9	2057442-2
	4.5	2057442-1
FINISH	DIM M	PART NUMBER

REFER TO WWW.TE.COM  
FOR PRODUCT AVAILABILITY

THIS DRAWING IS A CONTROLLED DOCUMENT.		DMN R. GRZYBOWSKI	14JUN2011		TE Connectivity
		CHK J. EARY	14JUN2011		
DIMENSIONS:		APVD J. EARY		NAME	
mm	TOLERANCES UNLESS OTHERWISE SPECIFIED:	14JUN2011		IMPACT, 4 PAIR, 8 COLUMN, HEADER	
	0 PLC ±	PRODUCT SPEC		UNGUIDED, OPEN END WALL	
	1 PLC ±0.25	APPLICATION SPEC		SIGNAL MODULE, 0.46 PTH	
	2 PLC ±0.13	RESTRICTED TO		SIZE	
	3 PLC ±	A1		CAGE CODE	
	4 PLC ±	00779		DRAWING NO	
	ANGLES ±	C=2057442		DRAWING NO	
MATERIAL	FINISH	WEIGHT		RESTRICTED TO	
-	SEE TABLE	-		-	
-	-	CUSTOMER DRAWING		SCALE	
		5:1		SHEET 2 OF 2	
				REV A1	