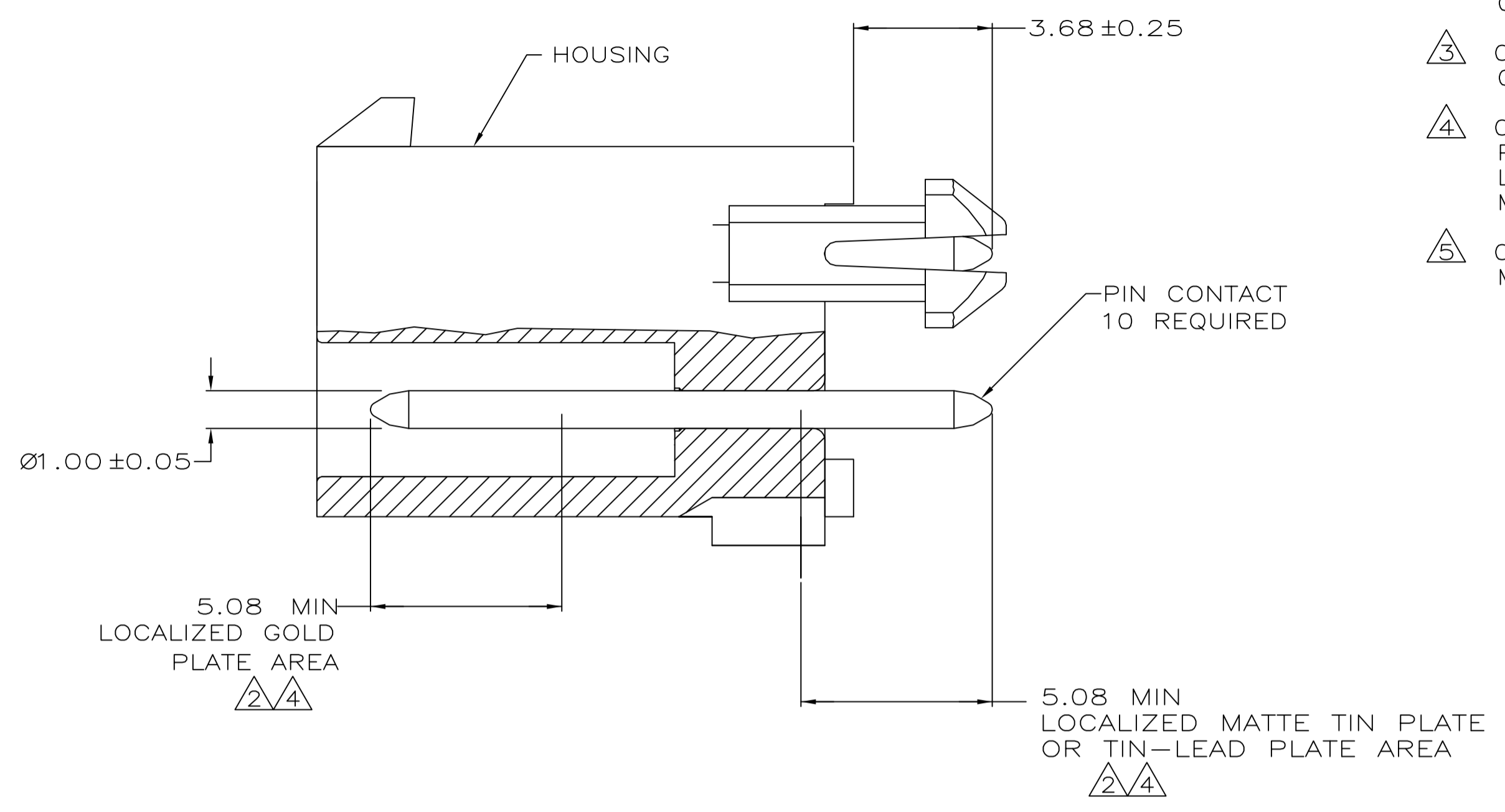
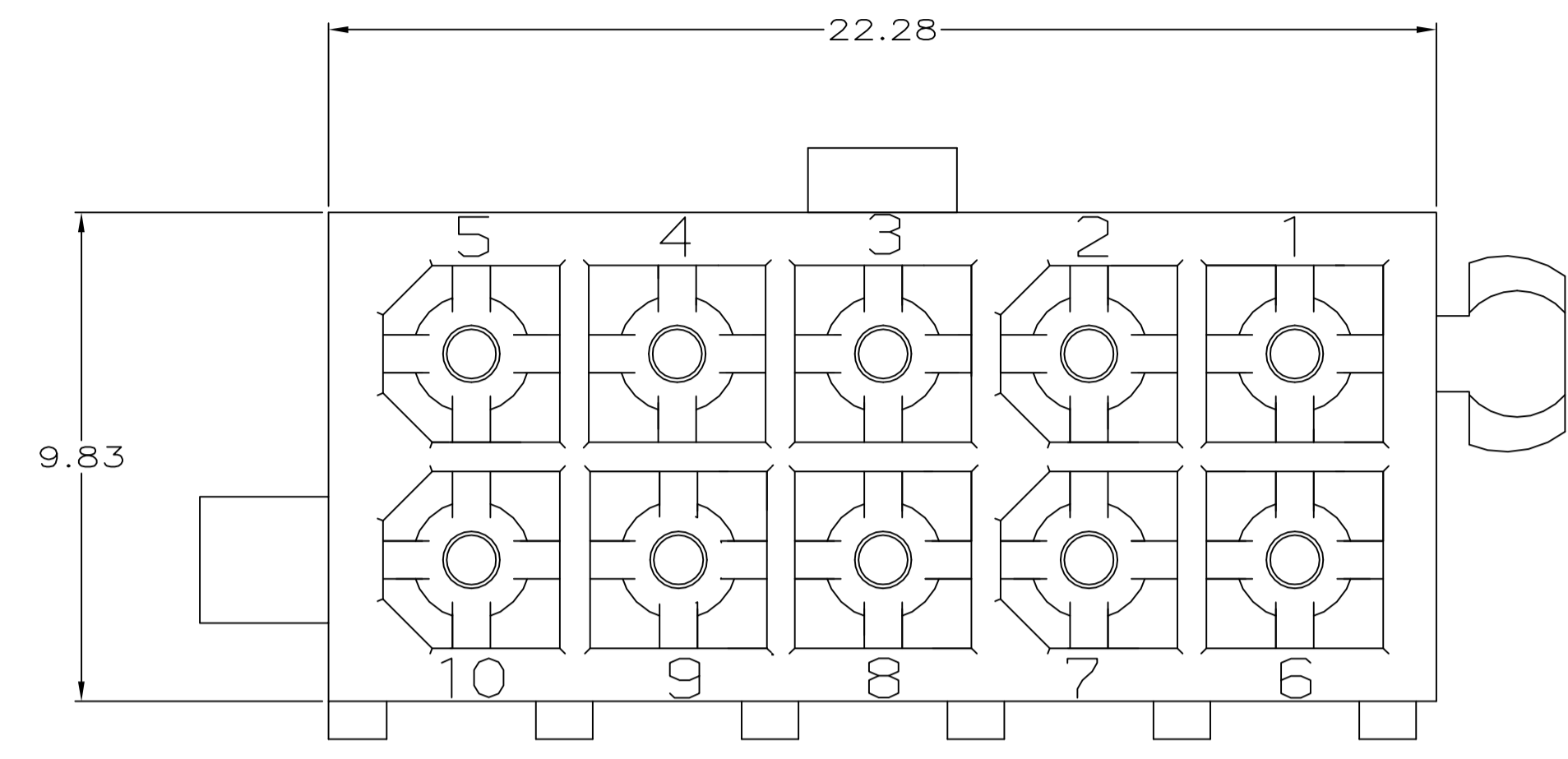
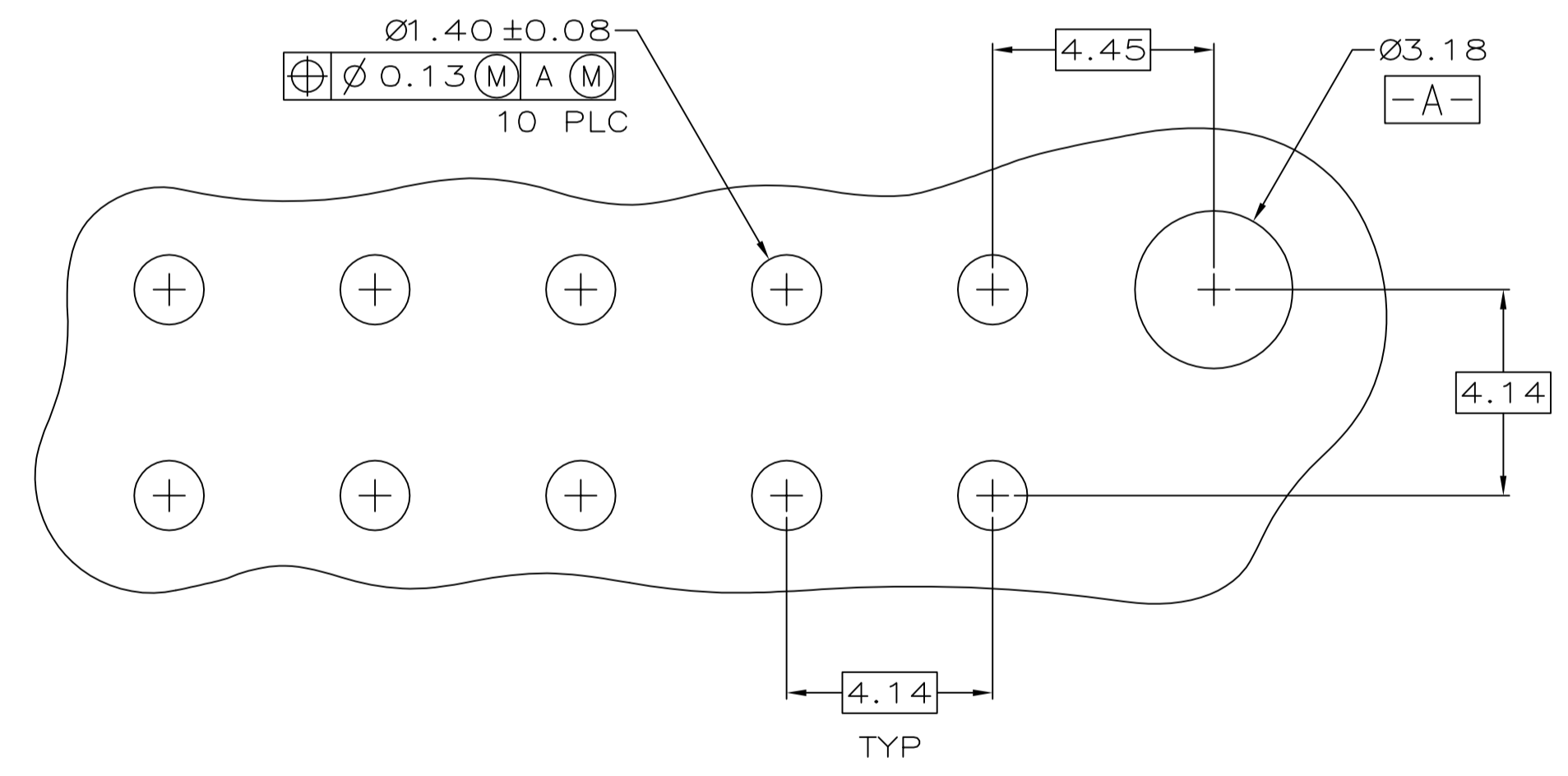
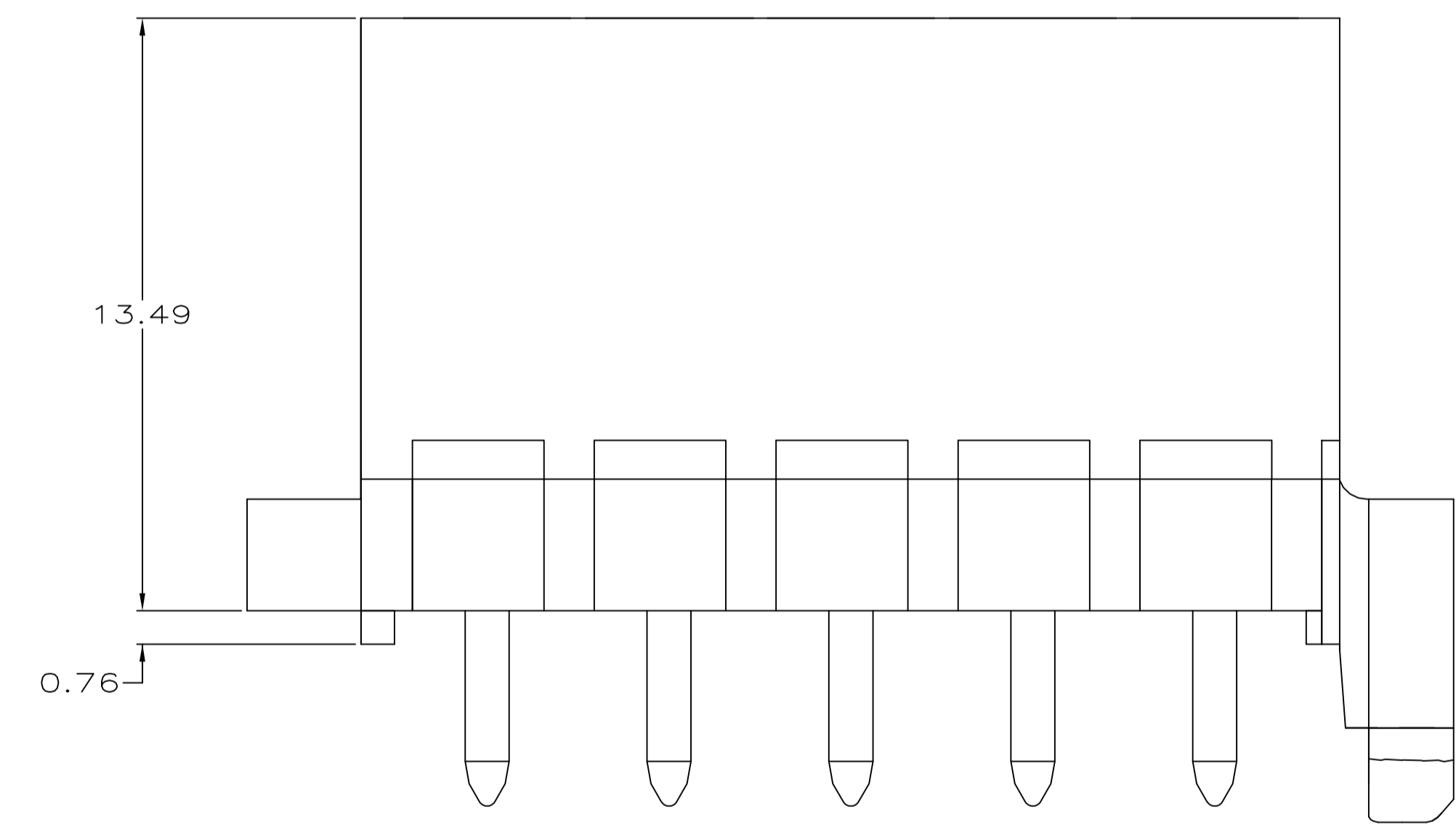


LOC		DIST		REVISIONS			
P	LTR	DESCRIPTION	DATE	DWN	APVD		
H1		REVISED PER ECR-16-010553	07AUG2017	BW	SG		



- PINS TO COMPLY WITH AMP SOLDERABILITY SPEC 109-11-3.
- 0.00076 MIN GOLD PLATE IN THE LOCALIZED PLATE AREA, 0.00381 MATTE TIN LEAD IN THE LOCALIZED PLATE AREA, BOTH OVER 0.00127 MIN NICKEL.
- 0.00381 MIN MATTE TIN LEAD PLATE OVER 0.00127 MIN NICKEL.
- 0.00076 MIN GOLD PLATE IN THE LOCALIZED PLATE AREA, 0.00381 MATTE TIN IN THE LOCALIZED PLATE AREA, BOTH OVER 0.00127 MIN NICKEL.
- 0.00381 MIN MATTE TIN PLATE OVER 0.00127 MIN NICKEL.



RECOMMENDED MOUNTING HOLE PATTERN FOR 1.57 THICK P.C. BOARD

BRASS, GOLD	NYLON, 94V-0, WHITE	1-770858-1
BRASS, TIN	NYLON, 94V-0, WHITE	1-770858-0
BRASS, GOLD	NYLON, 94V-0, WHITE	770858-2
BRASS, TIN LEAD	NYLON, 94V-0, WHITE	770858-1
PIN CONTACT MATERIAL AND FINISH		PART NO.

THIS DRAWING IS A CONTROLLED DOCUMENT.

DIMENSIONS: mm	TOLERANCES UNLESS OTHERWISE SPECIFIED:	DWN: C. MARTIN 8-2-91	CHK: R. SWING 8-2-91	APVD: -	NAME: -
0 PLC ± -	1 PLC ± -	PRODUCT SPEC: -			
2 PLC ± -	3 PLC ± 0.13	APPLICATION SPEC: -			
4 PLC ± -	ANGLES ± -	SIZE: A1			
MATERIAL: SEE TABLE	FINISH: SEE TABLE	WEIGHT: -	CAGE CODE: 00779	DRAWING NO: 770858	RESTRICTED TO: -
CUSTOMER DRAWING		SCALE: 8:1	SHEET: 1 OF 1	REV: H1	

STE TE Connectivity

HEADER ASSEMBLY, CLOSED BOTTOM, 10 CIRCUIT, DOUBLE ROW VERTICAL, MINI UNIVERSAL MATE-N-LOK