



ANATECH ELECTRONICS, INC.

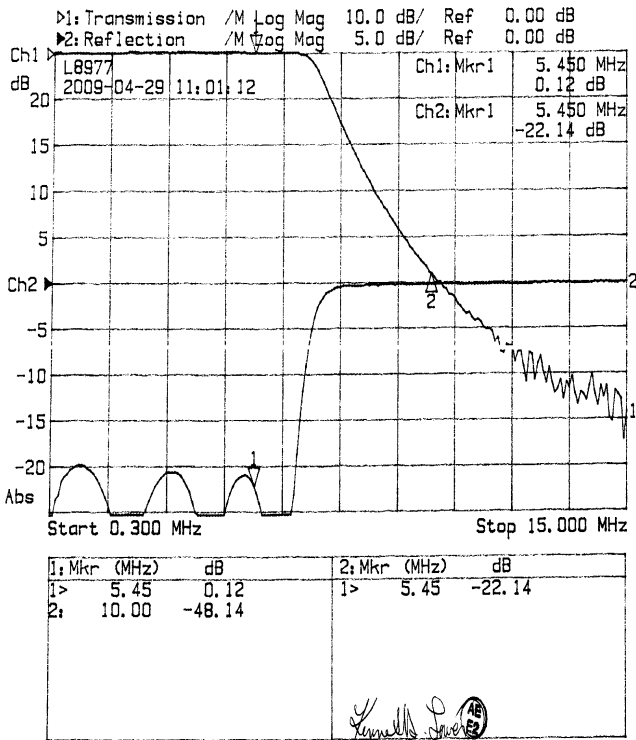
Manufacturer of RF & Microwave Filters and Products



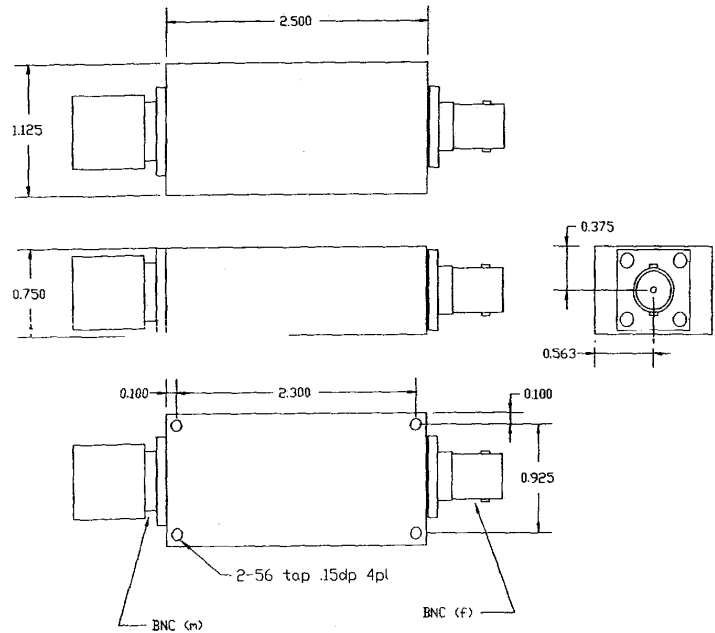
Part Number: AE5L8977
0-5.45 MHz LC Lowpass Filter

Passband: 0-5.45 MHz
Insertion Loss: <0.6 dB
Return Loss: >15 dB
Rejection: >40 dB @ 10-100 MHz

Response Plot:



Outline Drawing:



DWG 988721 ajs 05/07/07
Outline Drawing
Anatech Electronics Inc.
(988731)