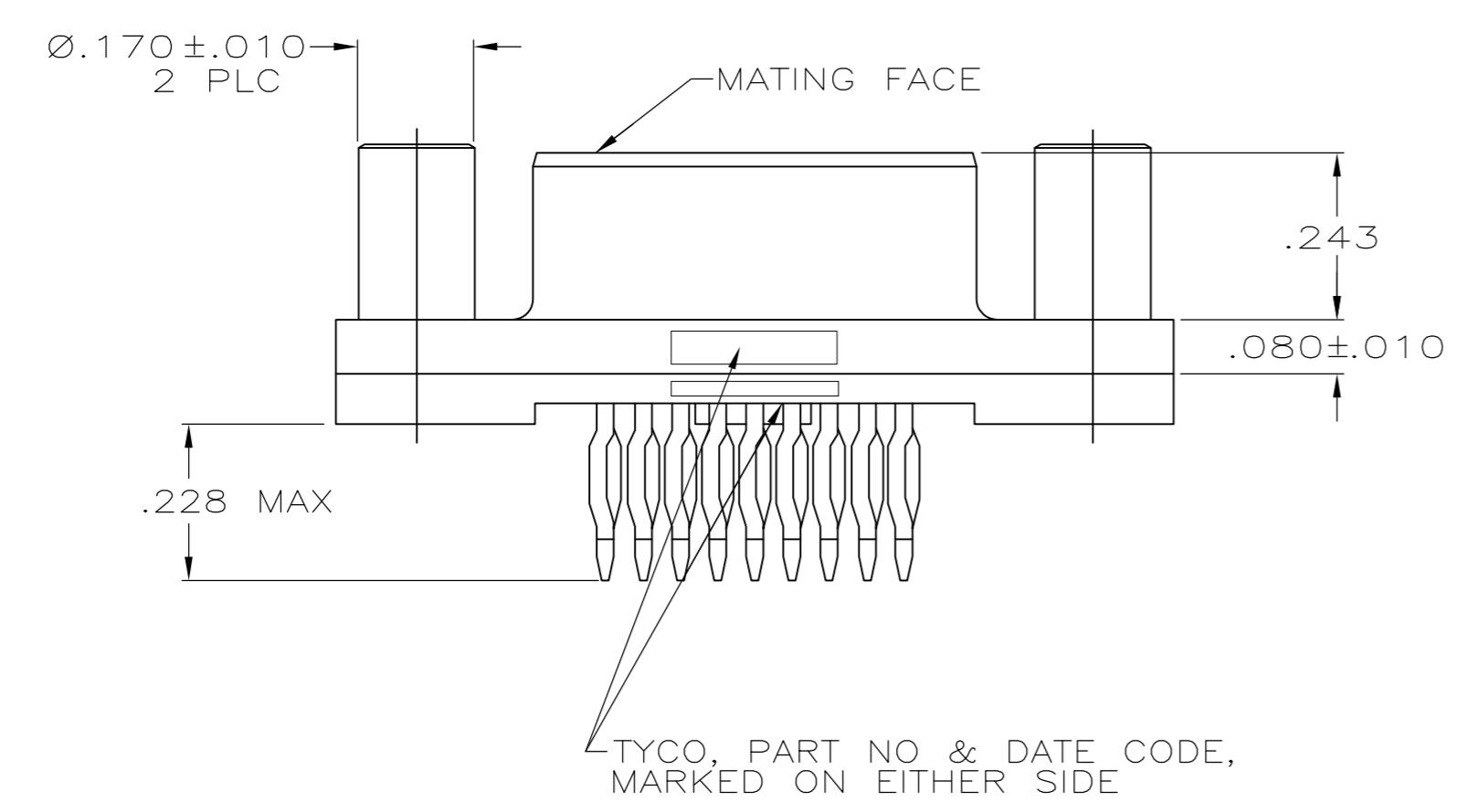
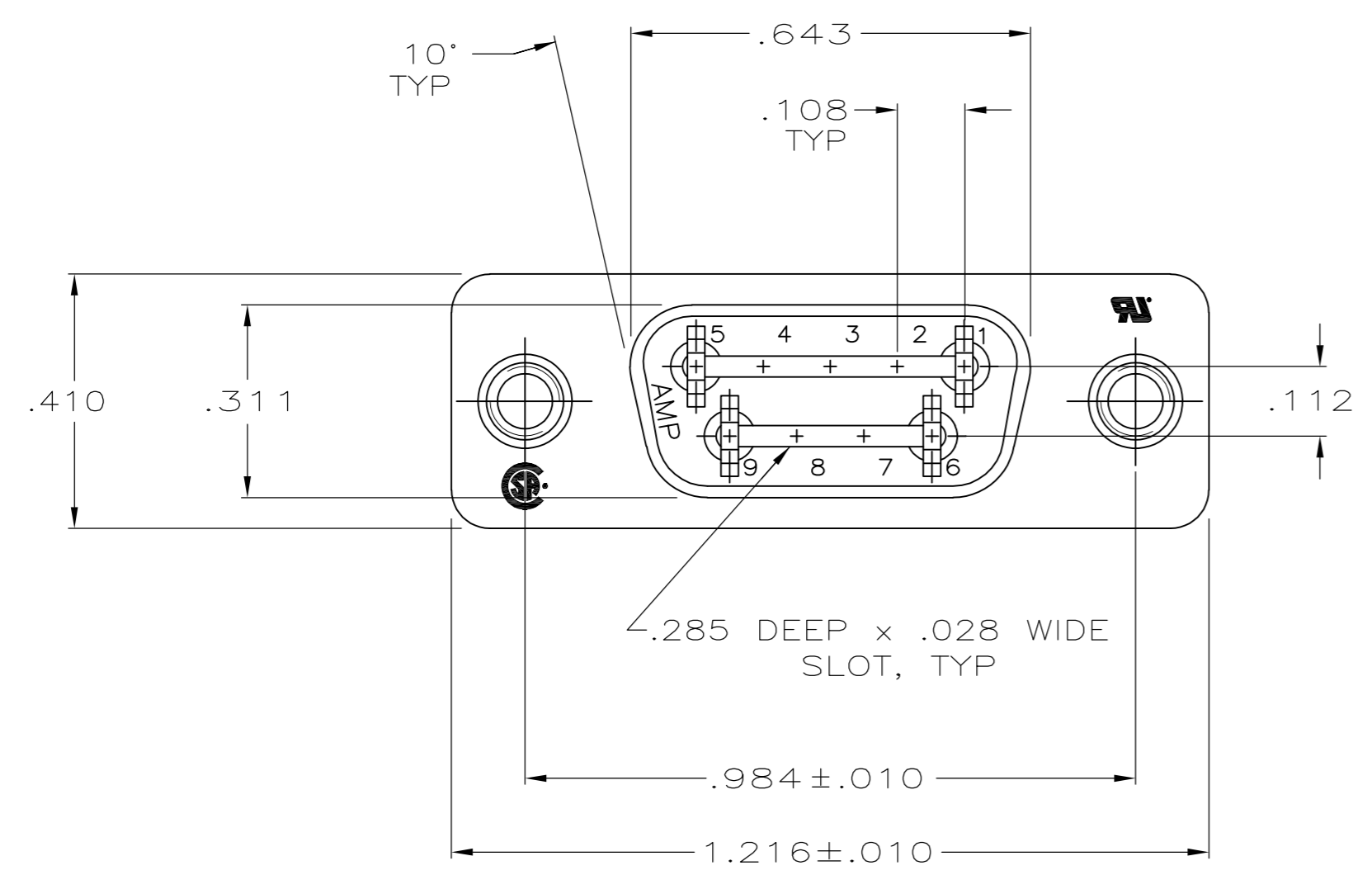
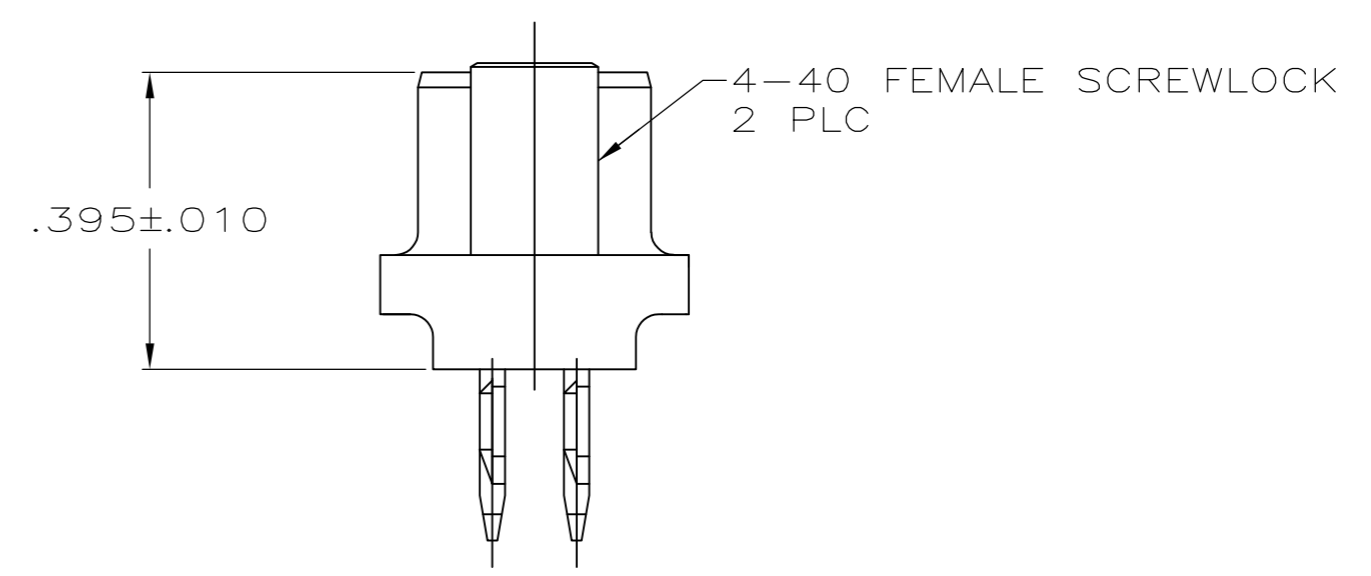


LOC		DIST		REVISIONS			
GP	00	P	LTR	DESCRIPTION	DATE	OWN	APVD
		G		REVISED PER ECO-12-000090	27JAN2012	CJV	SLB



- 1 FOR USE WITH .093 MINIMUM THICK PRINTED CIRCUIT BOARD. REFER TO APPLICATION SPECIFICATION FOR PRINTED CIRCUIT BOARD LAYOUT DIMENSIONS AND FINISH RECOMMENDATIONS.
- 2 HOUSING: FLAME RETARDANT 94V-0 RATED THERMOPLASTIC, COLOR BLACK
CONTACTS: COPPER-NICKEL ALLOY.
SCREW LOCKS: BRASS.
- 3 SCREW LOCKS: .000050 MIN NICKEL PLATE OVER COPPER FLASH.
- 4 CONTACTS:
0.76 MICROMETERS [.000030]MIN GOLD IN MATING AREA.
2.54 MICROMETERS [.000100]MIN TIN OR TIN-LEAD ON COMPLIANT PIN.
ALL OVER 1.27 MICROMETERS [.000050]MIN NICKEL.
OR
GOLD FLASH OVER PALLADIUM NICKEL.
0.76 MICROMETERS [.000030]MIN TOTAL IN MATING AREA.
2.54 MICROMETERS [.000100]MIN TIN OR TIN-LEAD ON COMPLIANT PIN.
ALL OVER 1.27 MICROMETERS [.000050]MIN NICKEL.



745454-2
PART NO

THIS DRAWING IS A CONTROLLED DOCUMENT. DIMENSIONING AND TOLERANCING PER ASME Y14.5M-2009		DWN D.WALLACE 06NOV2010	STE TE Connectivity	
DIMENSIONS: INCHES		CHK J.LIPPERT 06NOV2010		
TOLERANCES UNLESS OTHERWISE SPECIFIED:		APVD J.LIPPERT 06NOV2010	NAME RECEPTACLE ASSEMBLY, SIZE 1, 9 POSITION, AMPLIMITE HDP, LOW PROFILE, W/ ACTION PIN CONT & FEMALE SCREWLOCKS	
0 PLC ± -	1 PLC ± -	PRODUCT SPEC 108-40014	SIZE A2	CAGE CODE 00779
2 PLC ± -	3 PLC ± .005	APPLICATION SPEC 114-40026	DRAWING NO C-745454	RESTRICTED TO -
4 PLC ± -	ANGLES ± 2'	WEIGHT -	SCALE 4:1	SHEET 1 OF 1
MATERIAL	FINISH	CUSTOMER DRAWING	REV G	