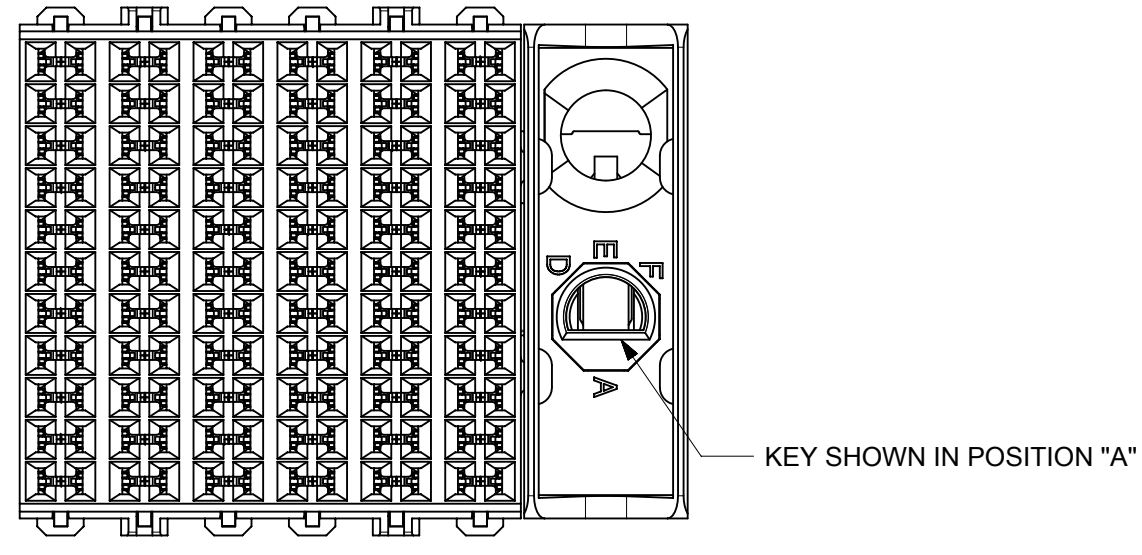


DAUGHTERCARD HOLE PATTERN  
(CONNECTOR SIDE)



- NOTES:
1. MATERIALS: HOUSING - LIQUID CRYSTAL POLYMER (LCP) GLASS-FILLED, UL94V-0  
TERMINALS - HIGH PERFORMANCE COPPER ALLOY
  2. FINISH: SELECTIVE GOLD IN CONTACT AREA.  
SELECTIVE MATTE TIN ON PCB TAILS. NICKEL OVERALL.
  3. REFER TO MOLEX PRODUCT SPECIFICATION PS-75710-999 FOR PERFORMANCE SPECS.
  4. PRODUCT IS PACKAGED PER PK-70873-609.
  5. THIS PART CONFORMS TO CLASS B REQUIREMENTS OF COSMETIC SPEC PS-45499-002.
  6. GUIDED PARTS TO BE SHIPPED WITH 2-32 TYPE AB  
SELF-TAPPING SCREW P/N 73726-0000.
  7. FOR GROUNDED GUIDE MODULES USE DIA 2.45+/-0.10 (PTH), DIA 2.58 (DRILL),  
AND DIA 4.50 (PAD).
  8. MAPS (MOLEX ADVANCED PLATING SYSTEM).

THIS DRAWING CONTAINS INFORMATION THAT IS PROPRIETARY TO MOLEX ELECTRONIC TECHNOLOGIES, LLC AND SHOULD NOT BE USED WITHOUT WRITTEN PERMISSION									
DIMENSION UNITS		SCALE		CURRENT REV DESC: REMASTERED TO NX AND ADDED MISSING DIMENSION FROM REV B @ E7					
mm		NTS		<p><b>molex</b></p> <p>I-TRAC NXT DAUGHTERCARD 11 ROW SIGNAL MODULE GUIDE RIGHT SALES DWG</p> <p>PRODUCT CUSTOMER DRAWING</p> <p>DOCUMENT NUMBER: SD-76680-004    DOC TYPE: PSD    DOC PART: 001    REVISION: D1</p> <p>MATERIAL NUMBER: SEE TABLE    CUSTOMER: GENERAL MARKET    SHEET NUMBER: 1 OF 2</p>					
GENERAL TOLERANCES (UNLESS SPECIFIED)									
ANGULAR TOL ± 0.5°									
4 PLACES		±							
3 PLACES		±							
2 PLACES		± 0.13		EC NO: 671119		2021/11/22			
1 PLACE		± 0.25		DRWN: DYARAS		2022/01/31			
0 PLACES		±		CHK'D: VINODM3		2022/02/18			
DRAFT WHERE APPLICABLE MUST REMAIN WITHIN DIMENSIONS				THIRD ANGLE PROJECTION		DRAWING		SERIES	
				C-SIZE		76680			

MATERIAL NUMBER	# OF COLUMNS	DIM "A" MAX	DIM "B"
76680-***5	5	25.90	14.80
76680-***6	6	29.60	18.50
76680-***8	8	37.00	25.90
76680-***0	10	44.40	33.30

76680-\*\*\*\*

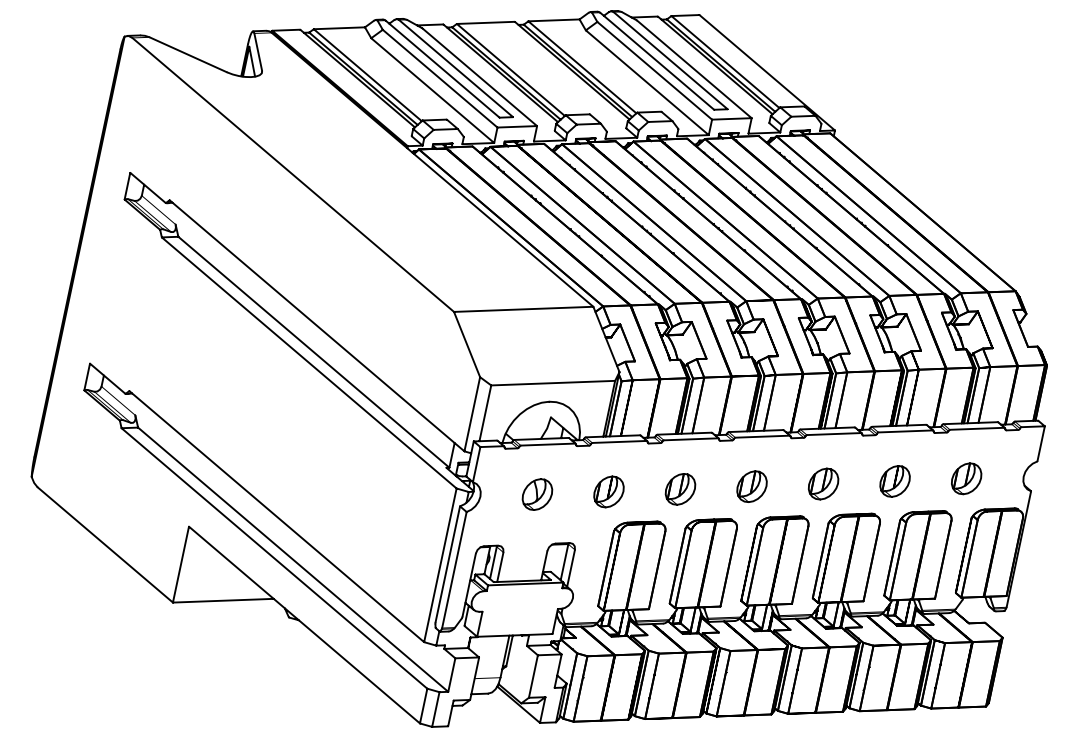
MODULE TYPE -- TAIL PLATING TYPE  
 GUIDE RIGHT -- MATTE TIN (FORMERLY TIN/LEAD)= 4  
 GUIDE RIGHT -- MATTE TIN = 5


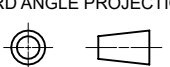
POLARIZATION KEY ORIENTATION

0 = NO KEY  
 1 = A    5 = E  
 2 = B    6 = F  
 3 = C    7 = G  
 4 = D    8 = H

# OF COLUMNS/PLATING

05 = 5 COL 30 GOLD  
 06 = 6 COL 30 GOLD  
 08 = 8 COL 30 GOLD  
 10 = 10 COL 30 GOLD  
 55 = 5 COL W/ ESD 30 GOLD  
 56 = 6 COL W/ ESD 30 GOLD  
 58 = 8 COL W/ ESD 30 GOLD  
 50 = 10 COL W/ ESD 30 GOLD  
 25 = 5 COL 10 GOLD (MAPS)  
 26 = 6 COL 10 GOLD (MAPS)  
 28 = 8 COL 10 GOLD (MAPS)  
 20 = 10 COL 10 GOLD (MAPS)  
 65 = 5 COL W/ ESD 10 GOLD (MAPS)  
 66 = 6 COL W/ ESD 10 GOLD (MAPS)  
 68 = 8 COL W/ ESD 10 GOLD (MAPS)  
 60 = 10 COL W/ ESD 10 GOLD (MAPS)



THIS DRAWING CONTAINS INFORMATION THAT IS PROPRIETARY TO MOLEX ELECTRONIC TECHNOLOGIES, LLC AND SHOULD NOT BE USED WITHOUT WRITTEN PERMISSION									
DIMENSION UNITS		SCALE		CURRENT REV DESC: REMASTERED TO NX AND ADDED MISSING DIMENSION FROM REV B @ E7					
mm		NTS							
GENERAL TOLERANCES (UNLESS SPECIFIED)								I-TRAC NXT DAUGHTERCARD	
ANGULAR TOL ± 0.5°				EC NO: 671119				11 ROW SIGNAL MODULE GUIDE RIGHT SALES DWG	
4 PLACES ±				DRWN: DYARAS 2021/11/22					
3 PLACES ±				CHK'D: VINODM3 2022/01/31					
2 PLACES ± 0.13				APPR: CWANG25 2022/02/18				PRODUCT CUSTOMER DRAWING	
1 PLACE ± 0.25				INITIAL REVISION:				DOCUMENT NUMBER	
0 PLACES ±				DRWN: MCARRANZA 2008/05/14				SD-76680-004	
				APPR: JLAURX 2008/10/20				DOC TYPE DOC PART REVISION	
DRAFT WHERE APPLICABLE MUST REMAIN WITHIN DIMENSIONS				THIRD ANGLE PROJECTION		DRAWING		SHEET NUMBER	
						C-SIZE		2 OF 2	
				SERIES		MATERIAL NUMBER		CUSTOMER	
				76680		SEE TABLE		GENERAL MARKET	

DOCUMENT STATUS	P1	RELEASE DATE	2022/02/18	05:04:35
-----------------	----	--------------	------------	----------