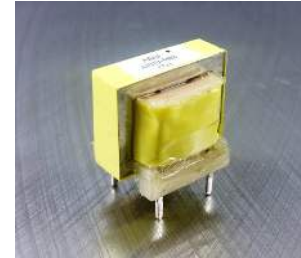


Impedance Transformer

AEI19-4488



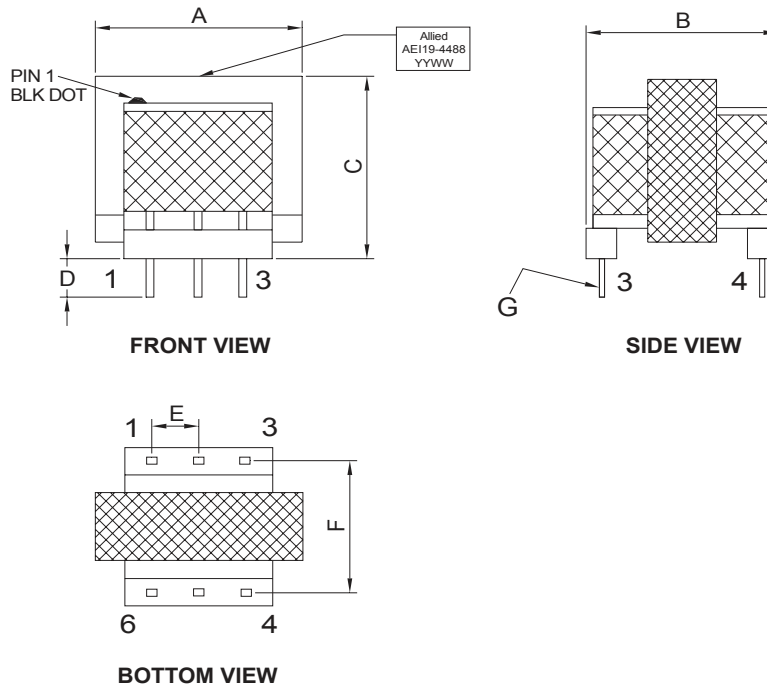
- EI19 Core Design
- 300 Hz to 3.5KHz Operating Frequency Range
- Operating Temperature Range: 0°C to 105°C

Electrical Specifications @ 25°C								
Impedance @1KHz, 1V Primary (Sec@10KΩ)	DCR (Ω±15%)			Insertion Loss @1KHz	Return Loss @300Hz to 3.5KHz	Frequency Response @300Hz to 3.5KHz	Turns Ratio @15.75KHz, 1.0V (1-2) : (2-3) : (6-4)	Hi-Pot Pri - Sec
(1 - 3): 10KΩ ±15%	(1 - 2) 190	(1 - 3) 380	(6 - 4) 430	1.0dB Max	24dB Min	±0.5dB	1:1:2 ±3%	1200Vac/1S

All specifications subject to change without notice.

MECHANICAL

Dimensions: (mm)



A	B	C	D	E	F	G
20.32 MAX	17.02 MAX	19.05 MAX	4.75 ±0.50	4.78 ±0.50	10.69 ±0.50	0.95*0.51 ±0.15

SCHEMATICS

