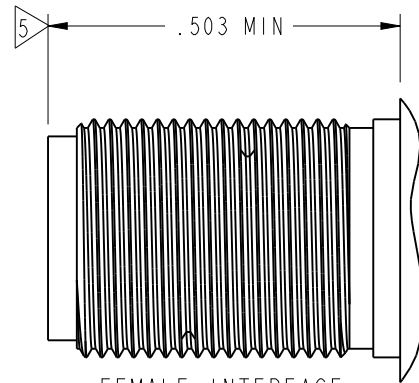


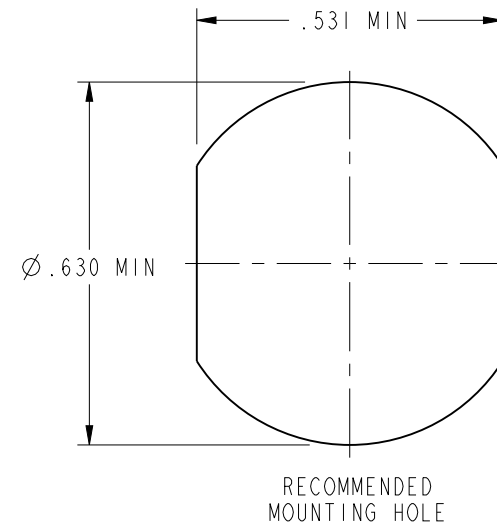
NOTES:

1. MATERIALS AND FINISHES:
 BODY - BRASS, WHITE BRONZE PLATING (.000080 THICK)
 CONTACT - BeCu, GOLD PLATING (.000050 THICK)
 INSULATOR - PTFE
 2. ELECTRICAL:
 A. IMPEDANCE: 50 OHM
 B. FREQUENCY RANGE: DC - 11 GHz
 C. VSWR (RETURN LOSS): 1.065 (30.040 dB), MAX. DC-3GHz
 1.15 (23.127 dB), MAX. 3-11GHz)
 3. MECHANICAL:
 A. DURABILITY: 500 CYCLES MIN.
 B. TEMPERATURE RANGE: -65° C TO +100° C
 C. .03" MIN AXIAL MISALIGNMENT
 D. .017" MIN RADIAL MISALIGNMENT
 4. PACKAGING:
 A. QUANTITY: SINGLE PACK
 B. MARKING: BAG TO BE MARKED
 "AMPHENOL, 82-6296, AND DATE CODE"
5. MALE INTERFACE MATES WITH FEMALE N PER MIL-STD-348A EXCEPT FOR DIMENSION SHOWN.

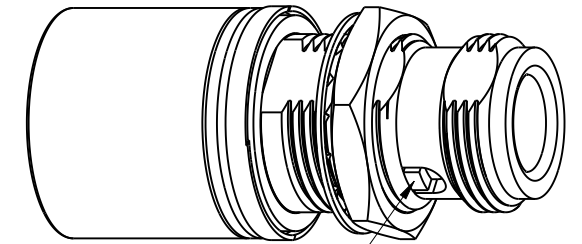
82-6296		REVISIONS			
DRAWING NO.	REV	DESCRIPTION	DATE	ECO	APPR
THIRD ANGLE PROJ.	A	RELEASE TO MFG.	7/31/02	44140	
	B	NO CHANGES TO THIS SHEET	21-Feb-18	07003	BEW



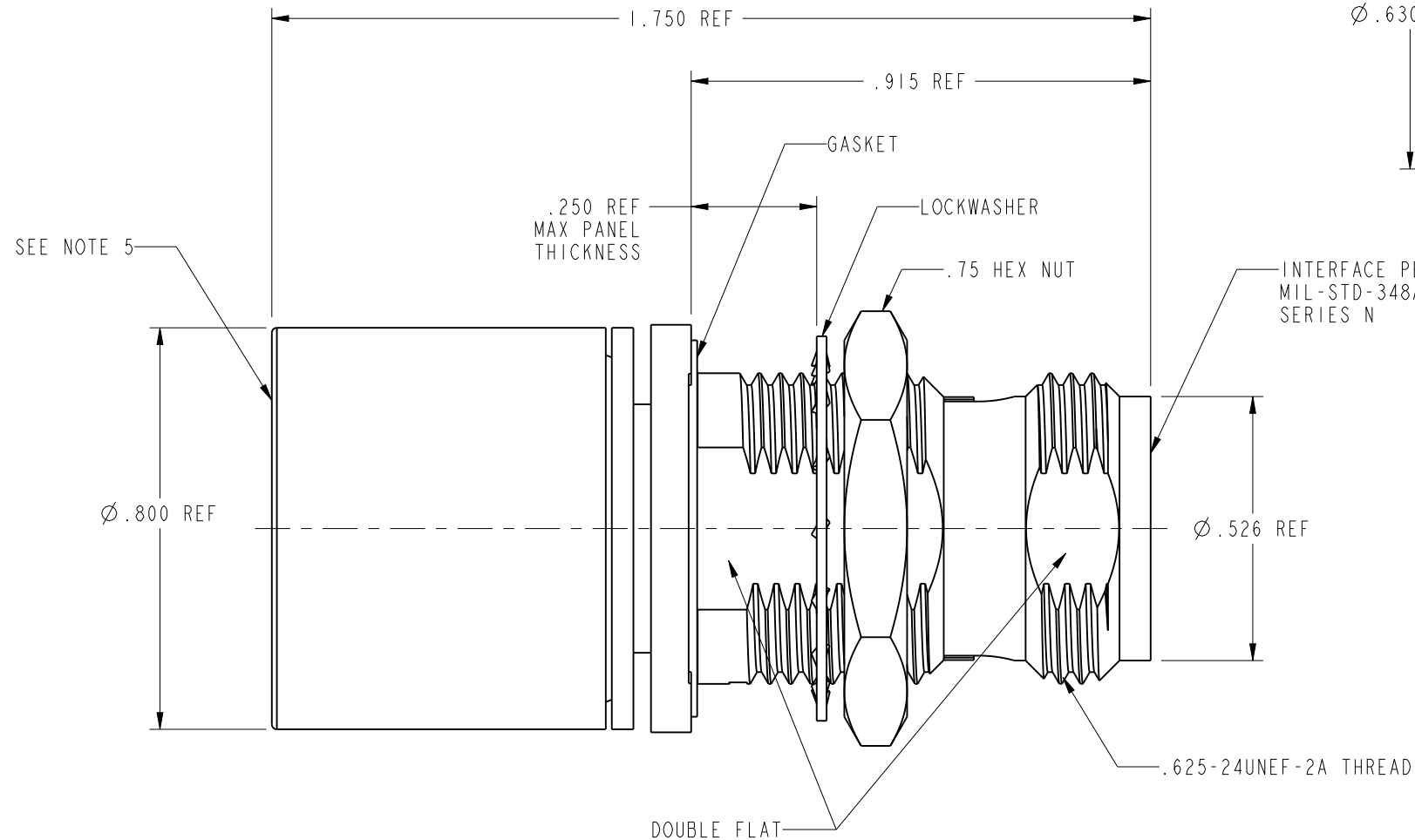
FEMALE INTERFACE
 DIMENSION
 SEE NOTE 5



RECOMMENDED
 MOUNTING HOLE



ANTI-ROTATION
 FEATURE
 SCALE 1.500



SEE NOTE 5

.250 REF
 MAX PANEL
 THICKNESS

GASKET

LOCKWASHER

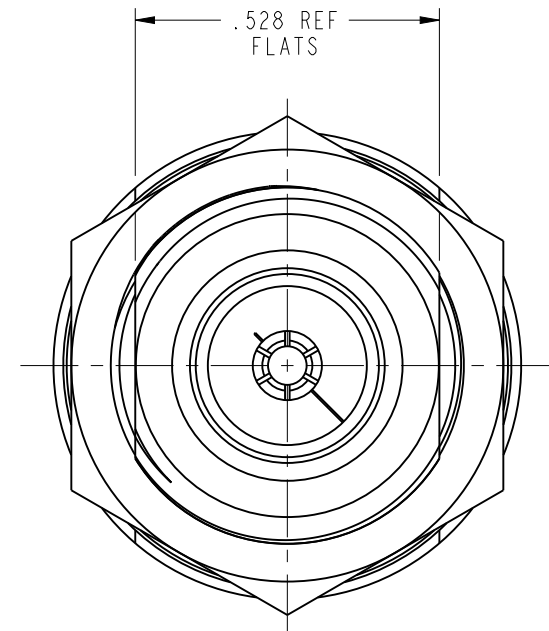
.75 HEX NUT

INTERFACE PER
 MIL-STD-348A
 SERIES N

Ø.526 REF

.625-24UNEF-2A THREAD

DOUBLE FLAT



CUSTOMER OUTLINE DRAWING
 ALL OTHER SHEETS ARE FOR INTERNAL USE ONLY

UNLESS OTHERWISE SPECIFIED, DIMENSIONS ARE IN INCHES AND TOLERANCES ARE:
 2 PLACE DECIMAL 3 PLACE DECIMAL ANGLES
 ±.015 (0,381 mm) ±.005 (0,127 mm) ± 1°

NOTICE - These drawings, specifications, or other data (1) are, and remain the property of Amphenol Corp. (2) must be returned upon request; and (3) are confidential and not to be disclosed to any person other than those to whom they are given by Amphenol Corp. The furnishing of these drawings, specifications, or other data by Amphenol Corp., or to any other person to anyone for any purpose is not to be regarded by implication or otherwise in any manner licensing, granting rights or permitting such holder or any other person to manufacture, use or sell any product, process or design, patented or otherwise, that may in any way be related to or disclosed by said drawings, specifications, or other data.

MATERIAL

REFERENCE
 GEN# ASSY4_N
 EAR# 445
 611X-4019-200

DRAWN
 M. HOYACK
 DATE
 30-Jul-02

ENGINEER
 M. HOYACK
 DATE
 11-Dec-01

APPROVED
 O. BARTHELMS
 DATE
 7/31/02

CAD FILE
 I:\N\82-6296

TITLE
 TYPE N PUSH ON MALE
 TO BULKHEAD FEED
 THROUGH FEMALE

Amphenol RF
 Danbury, CT, USA
 Tainan, Taiwan
 Shenzhen, China
 www.amphenolrf.com

SCALE: 3.0:1 SHEET 2 OF 2

CODE ID 74868	DWG SIZE B	DRAWING NO. 82-6296	REV B
------------------	---------------	------------------------	----------