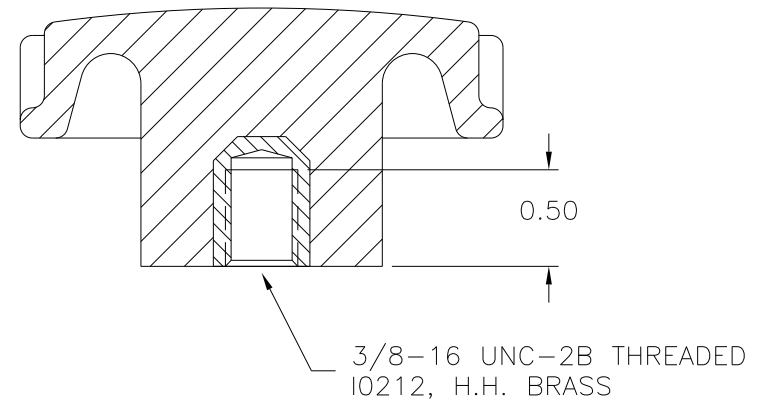
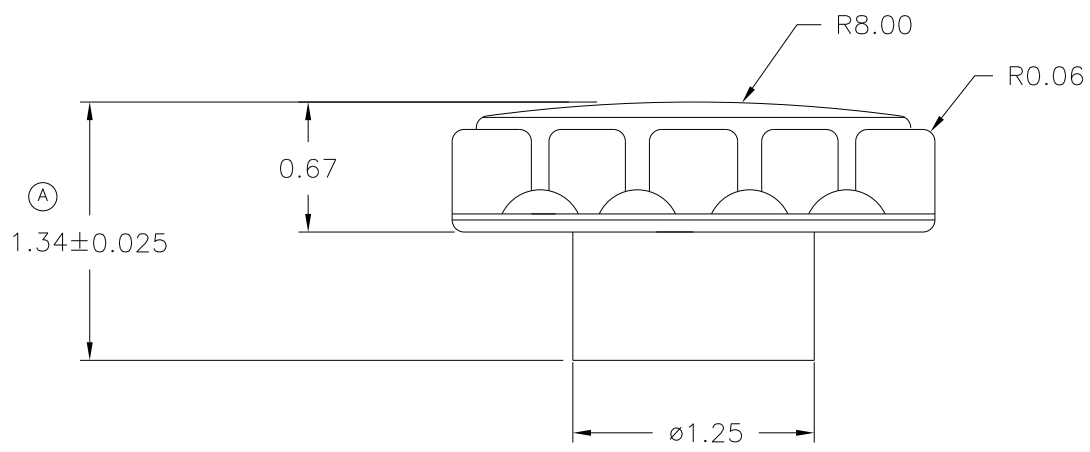
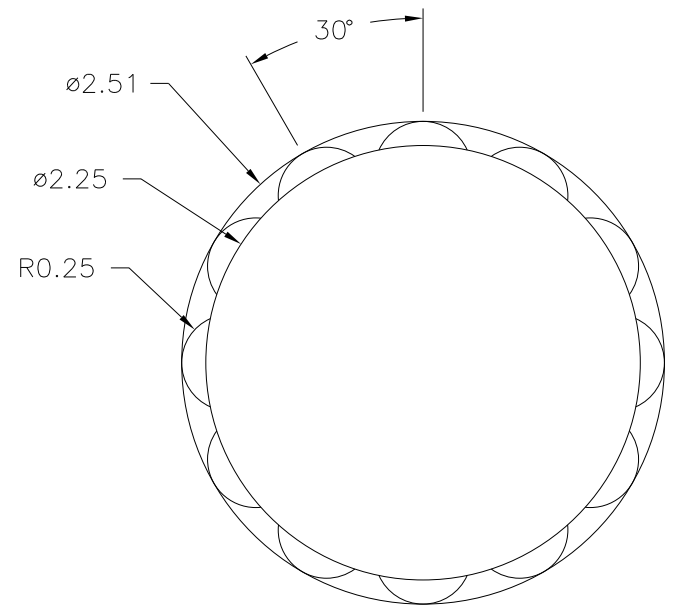


PART NAME: KNOB      SCALE: 1:1      DATE: 4/23/70      DR. BY NH

THIS DRAWING IS THE PROPERTY OF DAVIES MOLDING COMPANY, IS SUBMITTED SOLELY AS A DESIGN OR ENGINEERING PROJECT. WE ACCEPT NO RESPONSIBILITY WHATSOEVER FOR THE PRACTICAL APPLICATION OF THE PIECES MADE TO THIS DESIGN.



|                                    |            |
|------------------------------------|------------|
| P/N                                | 3015-A     |
| M NO.                              | 5699       |
| CAVITY                             | 3015       |
| PLUNGER                            | 3015       |
| PIN BARS                           | 3015       |
| SHIM BARS                          | 3015 (3/8) |
| CAVITY BACK-UP<br>STEAM PLATE PLUG | 3015       |
| PINS                               | 3015-1+A   |
| INSERT                             | I0212      |



MATERIAL: G.P. PHENOLIC (B11)  
COLOR: BLACK

|   |                                  |         |                             |            |
|---|----------------------------------|---------|-----------------------------|------------|
| TOLERANCES:<br>UNLESS OTHERWISE SPECIFIED | DO NOT SCALE<br>DRAWING          |         |                             |            |
| DECIMALS: X.XXX ± .005<br>X.XX ± .015     | MM: X.XX ± 0.15MM<br>X.X ± 0.4MM | A       | WAS 1.32<br>ADDED TOLERANCE | EW 7/23/14 |
|   |                                  | -       | RE-DID REDRAW               | TL 8/6/99  |
|   |                                  | -       | CAD REDRAW                  | HD 5/6/94  |
| FRACTIONS ± 1/64                          | ANG. ± 1°                        | CHANGES |                             |            |