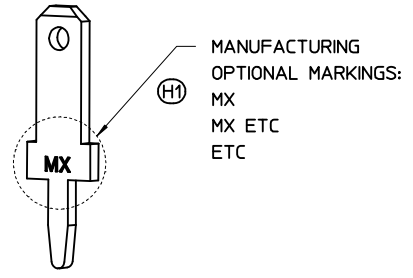
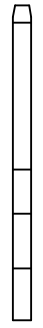
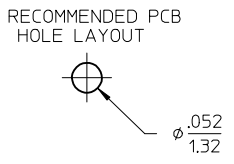
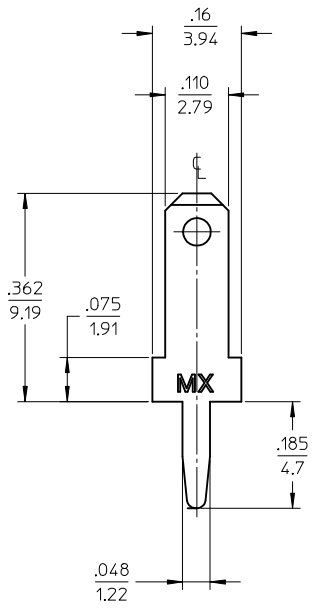


MATERIAL NUMBER	ENGINEERING NUMBER	DESCRIPTION
197124001	19712-4001	LOOSE PART

Ⓜ



- NOTES:
1. PARTS ARE ROHS COMPLIANT.
  2. MATERIAL: BRASS C26000 (.020/0.51)
  3. TAB CONFORMS TO NEMA SPECIFICATIONS.
  4. ALL DIMENSIONS AND NOTES REFERENCE UNLESS OTHERWISE NOTED.
  5. PLATING: MATTE TIN, 150μM/3.81μmm MINIMUM THICKNESS OVER NICKEL 50μM/1.25μmm MINIMUM THICKNESS.

Ⓜ

ADDED MARKINGS EC NO: IPG2016-0913 DRWN: GRO.JAS01 2015/12/16 CHKD: APPR: JMACNEIL 2015/12/31	QUALITY SYMBOLS	GENERAL TOLERANCES (UNLESS SPECIFIED)		SCALE 5:1	DESIGN UNITS INCH	THIRD ANGLE PROJECTION	REVISE ON CAD ONLY
	 		mm	INCH	DIMENSION STYLE		TITLE
		4 PLACES	± ---	± ---	IN/MM		QUICK DISCONNECT PCB MOUNTABLE .110 X .020 TAB
		3 PLACES	± ---	± .005	DRAWN BY EDB	DATE 11/08/96	
2 PLACES	± 0.13	± .01	CHECKED BY JH		DATE 11/08/96	MOLEX INCORPORATED	
1 PLACE	± 0.25	± ---	APPROVED BY RWD		DATE 11/08/96		MATERIAL NO. SEE CHART DOCUMENT NO. SD-19712-400 SHEET NO. 1 OF 1
		ANGULAR ±1/2°		THIS DRAWING CONTAINS INFORMATION THAT IS PROPRIETARY TO MOLEX INCORPORATED AND SHOULD NOT BE USED WITHOUT WRITTEN PERMISSION			
		DRAFT WHERE APPLICABLE					
		MUST REMAIN WITHIN DIMENSIONS					