

# MATERIALS & SPECIFICATIONS

PART NO.	A29051-015	REV	ECO	DATE	APP
		B	102559	05-04-16	TLM

**HOUSING:**  
ALUMINUM 6061-T6, NICKEL  
PLATE PER SAE-AMS-2404

**INSULATOR:**  
LIQUID CRYSTAL POLYMER (LCP)  
PER ASTM D5138

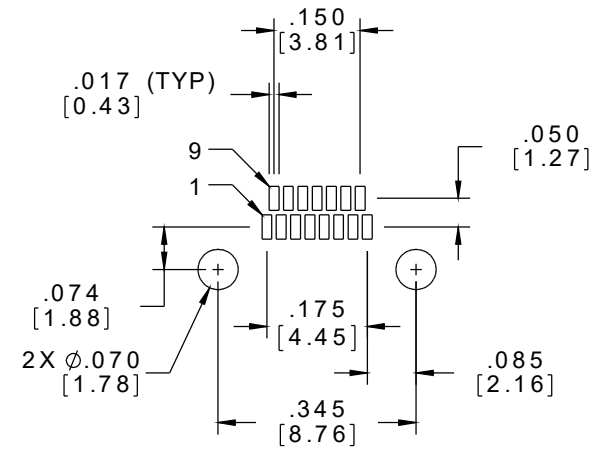
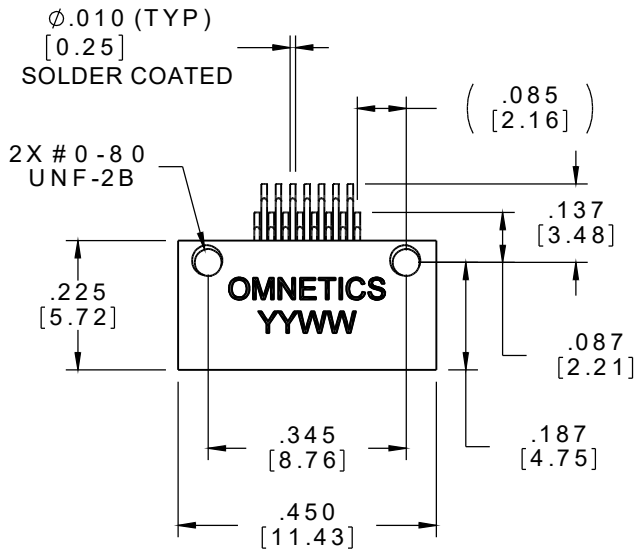
**CONTACTS:**  
COPPER ALLOY PER MIL-DTL-  
32139, GOLD PLATED PER ASTM  
B488, (HARD GOLD) TYPE II  
CODE C CLASS 1.27

**TERMINATIONS:**  
SOLDER COATED WITH SN63A  
PER J-STD-006

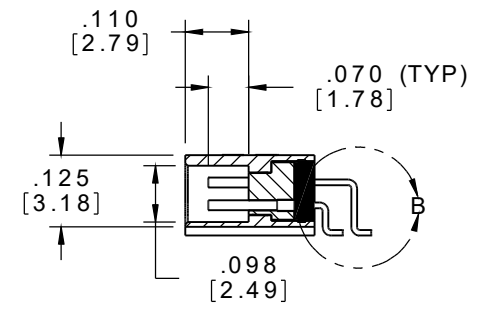
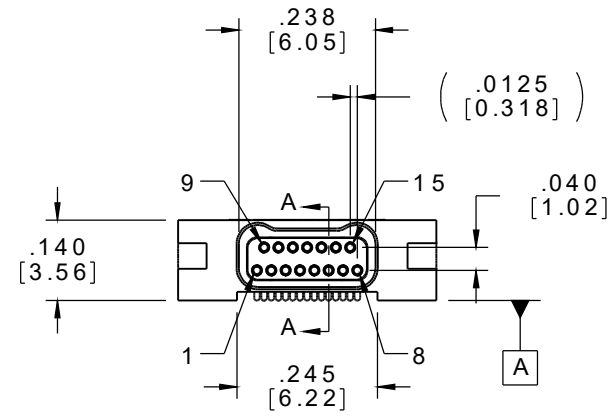
**CURRENT RATING:**  
1 AMP MAX PER MIL-DTL-32139

**CONTACT RESISTANCE:**  
71 MILLIOHM MAX (71mV DROP  
MAX) @ 1.0 AMPS PER MIL-  
DTL-32139

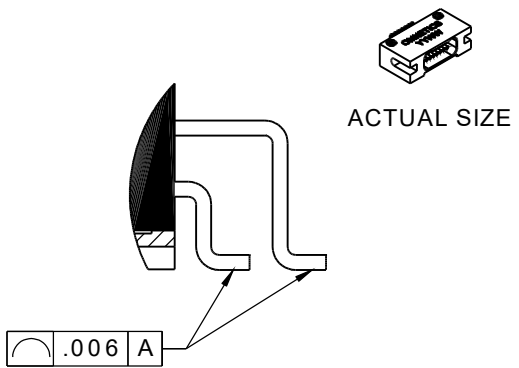
**PERFORMANCE:**  
PRODUCT FAMILY TESTED TO AND  
PASSED THE PERFORMANCE  
SPECIFICATIONS OF TABLE VIII OF  
MIL-DTL-32139



SUGGESTED PAD LAYOUT



SECTION A-A



DETAIL B  
SCALE 8 : 1

NOTE:  
DIMENSIONS IN [ ] ARE IN  
MILLIMETERS UNLESS  
OTHERWISE NOTED AND ARE  
FOR REFERENCE ONLY

MNSI SLDW	THIRD ANGLE	THIS DRAWING CONTAINS CONFIDENTIAL AND PROPRIETARY INFORMATION WHICH IS THE PROPERTY OF OMNETICS CONNECTOR CORP. THIS DOCUMENT MAY NOT, IN WHOLE OR IN PART, BE DUPLICATED, OR DISCLOSED FOR ANY PURPOSE, WITHOUT WRITTEN PERMISSION FROM OMNETICS CONNECTOR CORP.	
	-TOLERANCES-	DFTM. WLE	DATE
	UNLESS OTHERWISE NOTED	09-02-14	
	DIMENSIONS IN INCHES	CHK'D.	DATE
2 P L DEC ± .01	APP'D.	DATE	
3 P L DEC ± .005			
4 P L DEC ± .0005			
ANGLES ± 1°			

<h1>OMNETICS</h1> <p>CONNECTOR CORPORATION 7260 COMMERCE CIRCLE EAST MINNEAPOLIS, MN 55432 WWW.OMNETICS.COM</p>	CAGE CODE 61873
	DWG NO. A29051-015
	SHEET 1 OF 1
SCALE: 3:1	REV B

TITLE:  
(15) SOCKET FEMALE  
LATCHING Bi-Lobe®  
CONNECTOR