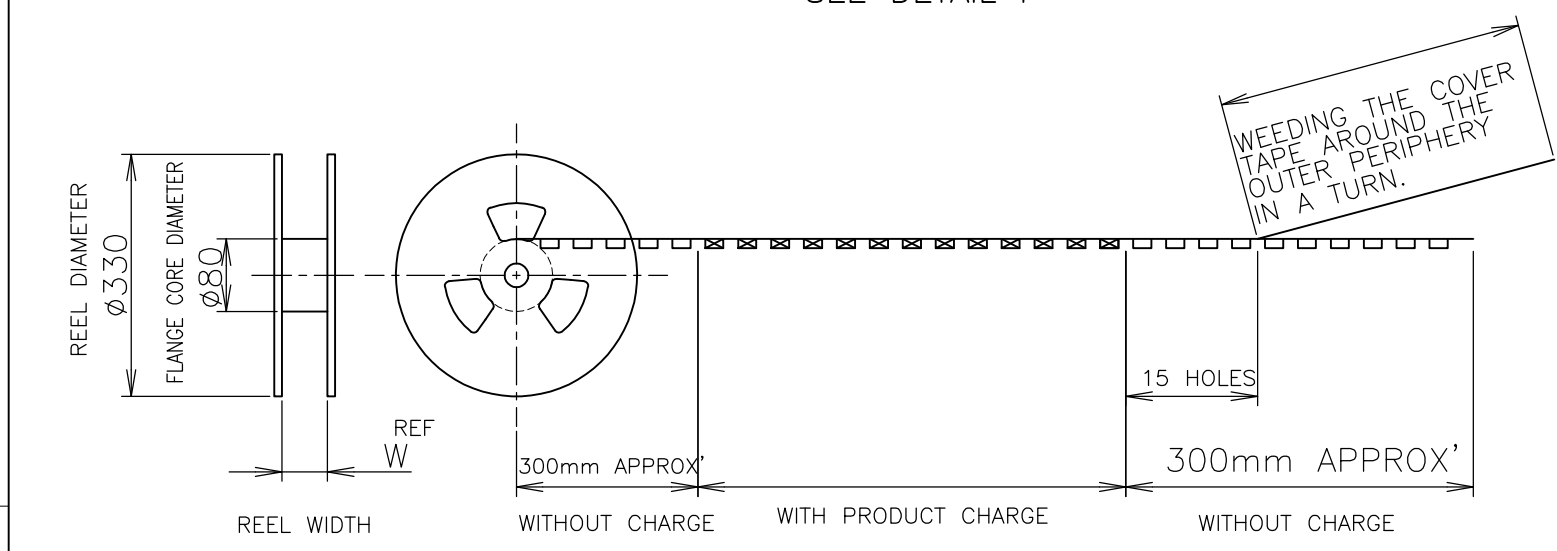
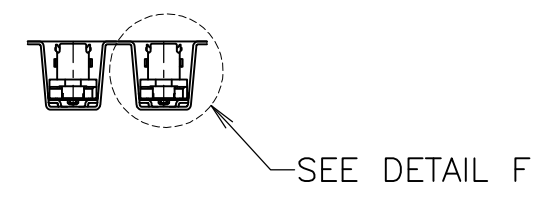
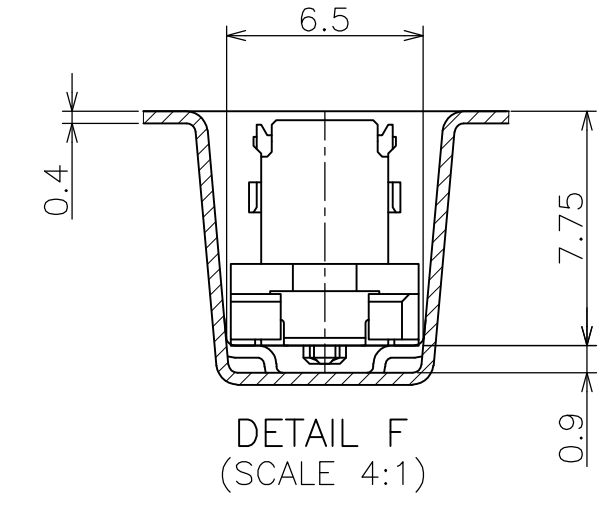
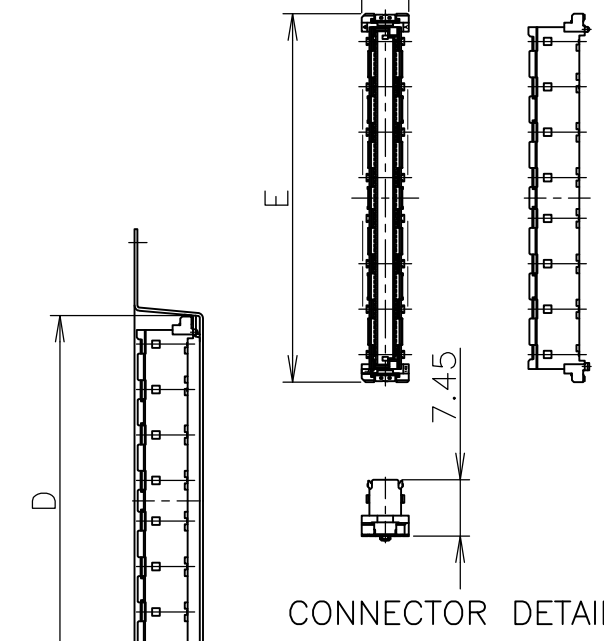
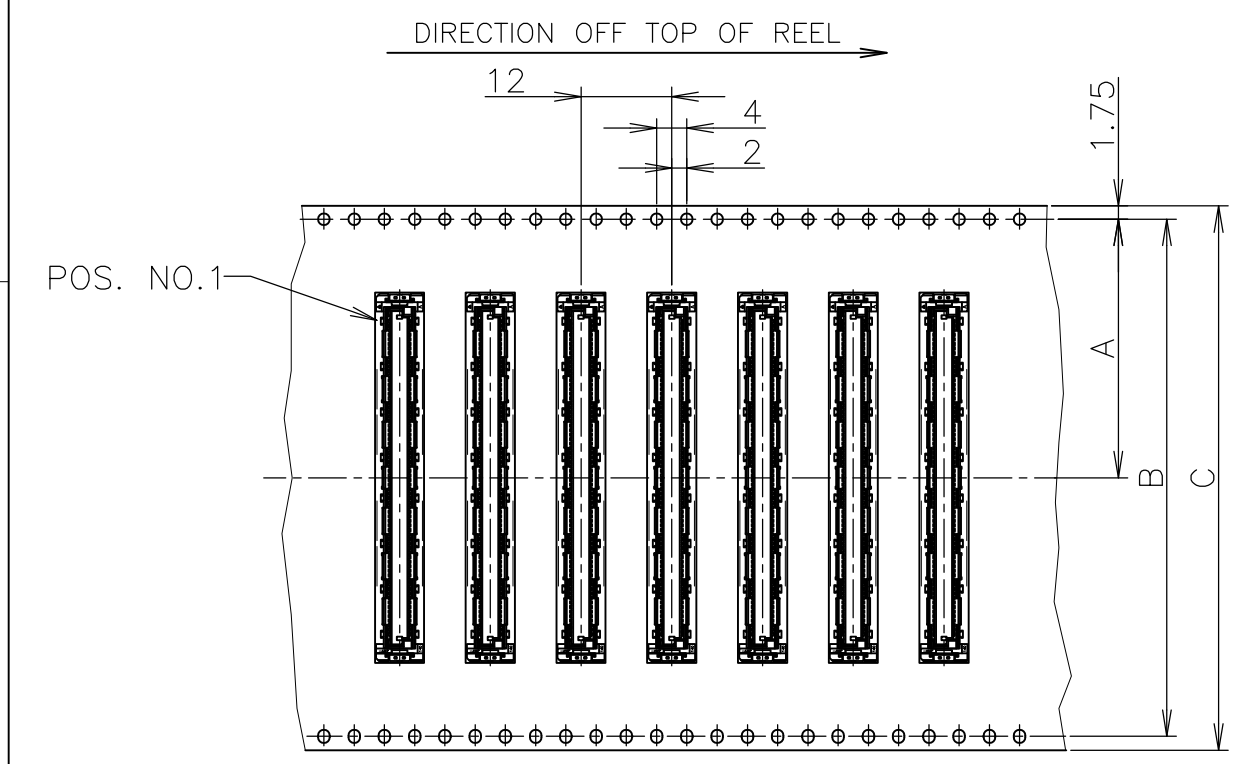


THIS DRAWING IS UNPUBLISHED. RELEASED FOR PUBLICATION JUN , 1996.  
 © COPYRIGHT 1996 By - ALL RIGHTS RESERVED.

LOC	DIST	REVISIONS					
J		P	LTR	DESCRIPTION	DATE	DWN	APVD
			A1	REVISED ECR-15-005119	02APR2015	I.T	W.H
			B	REVISED PER ECO-17-002393	27MAY17	B.J	S.Y



SEALANT	TOOLING STATUS	QTY.	W	E	D	C	B	A	POS.	PART NO.
NOT AVAILABLE		600	77.5	54.7	55	72	68.4	34.2	160	6-5353187-1
AVAILABLE		↑	77.5	48.7	49	72	68.4	34.2	140	6- - -0
NOT AVAILABLE			61.5	42.7	43	56	52.4	26.2	120	5- - -9
↑			61.5	36.7	37	56	52.4	26.2	100	5- - -8
↑			61.5	33.7	34	56	52.4	26.2	90	5- - -7
NOT AVAILABLE			49.5	30.7	31	44	40.4	20.2	80	5- - -6
NOT AVAILABLE			49.5	27.7	28	44	40.4	20.2	70	5- - -5
NOT AVAILABLE			49.5	24.7	25	44	40.4	20.2	60	5- - -4
↑			37.5	21.7	22	32	28.4	14.2	50	5- - -3
↑			37.5	18.7	19	32	28.4	14.2	40	5- - -2
NOT AVAILABLE		600	29.5	15.7	16	24	-	11.5	30	5-5353187-1
↑		600	77.5	54.7	55	72	68.4	34.2	160	1-5353187-1
↑		↑	77.5	48.7	49	72	68.4	34.2	140	1- - -0
NOT AVAILABLE			61.5	42.7	43	56	52.4	26.2	120	- - -9
↑			61.5	36.7	37	56	52.4	26.2	100	- - -8
↑			61.5	33.7	34	56	52.4	26.2	90	- - -7
↑			49.5	30.7	31	44	40.4	20.2	80	- - -6
↑			49.5	27.7	28	44	40.4	20.2	70	- - -5
↑			49.5	24.7	25	44	40.4	20.2	60	- - -4
↑			37.5	21.7	22	32	28.4	14.2	50	- - -3
↑			37.5	18.7	19	32	28.4	14.2	40	- - -2
NOT AVAILABLE		600	29.5	15.7	16	24	-	11.5	30	5353187-1

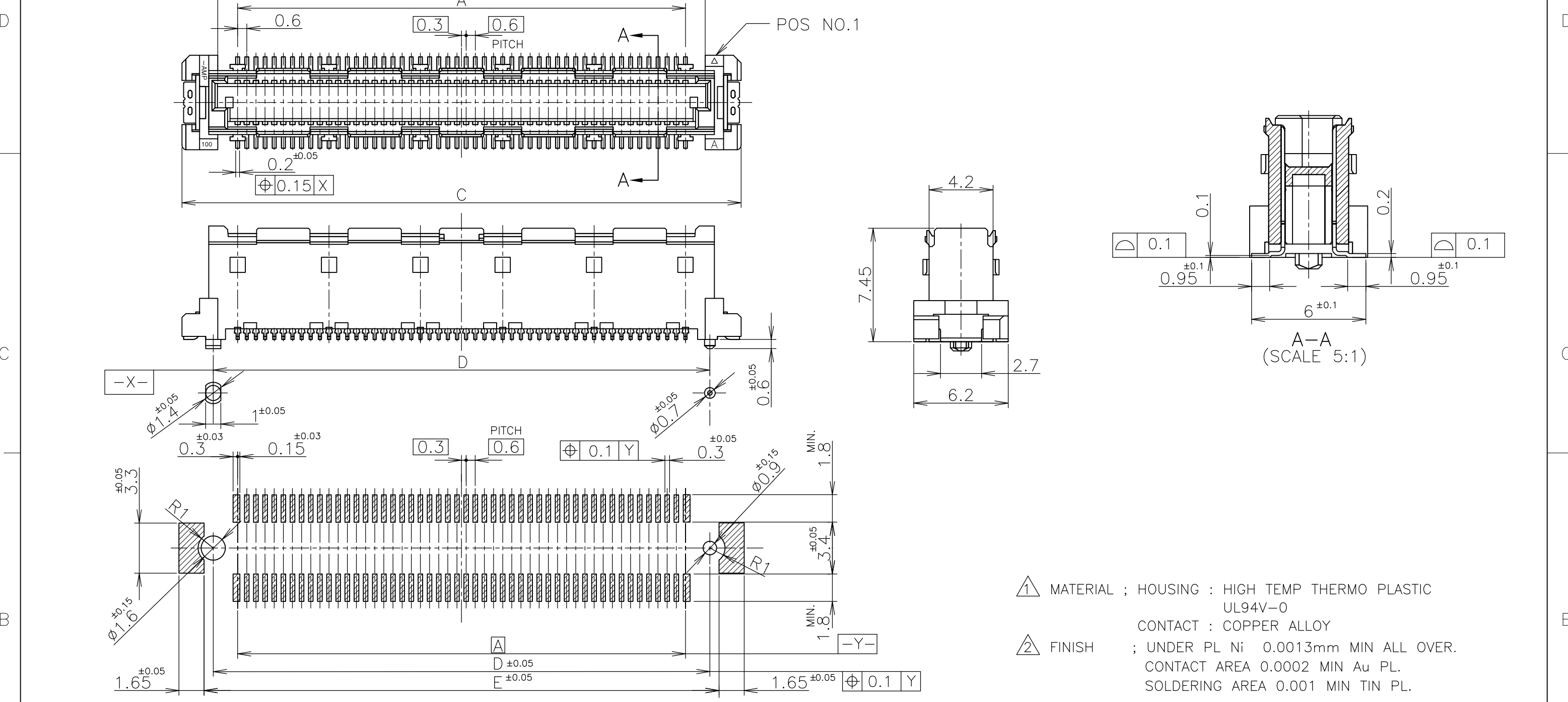
3 THIS PRODUCT WAS COATED BY FLUX-PENETRATION -INHIDITING AGENT.

THIS DRAWING IS A CONTROLLED DOCUMENT.

DIMENSIONS: 单位: 耗 mm	TOLERANCES UNLESS OTHERWISE SPECIFIED: 一般公差	DWN HAWKING HE 20DEC04	 TE Connectivity	NAME 名称 EMBOSS ASSY FH 0.6BTB CONNECTOR PLUG 8H STD TYPE
	0 PLC ± 0.2	CHK STEVEN YAO 20DEC04		
	1 PLC ± 0.2	APVD I.ENOMOTO 20DEC04		
	2 PLC ± 0.2	PRODUCT SPEC 製品規格		
	3 PLC ± 0.2	108-60047	SIZE A3	CAGE CODE 00779
	4 PLC ± 0.2	APPLICATION SPEC 取付適用規格	DRAWING NO 番号	C-5353187
	ANGLES ± 5'	114-5255	RESTRICTED TO	
MATERIAL 材料	FINISH 仕上	WEIGHT	CUSTOMER DRAWING	
			SCALE 尺度 1:1	SHEET 1 OF 2
			REV B	

THIS DRAWING IS UNPUBLISHED. RELEASED FOR PUBLICATION JUN , 1996.  
 © COPYRIGHT 1996 By - ALL RIGHTS RESERVED.

LOC	DIST	REVISIONS			DATE	DWN	APVD
		P	LTR	DESCRIPTION			
J		-	-	SEE SHEET 1	-	-	-



1 MATERIAL ; HOUSING : HIGH TEMP THERMO PLASTIC  
 UL94V-0  
 CONTACT : COPPER ALLOY

2 FINISH ; UNDER PL Ni 0.0013mm MIN ALL OVER.  
 CONTACT AREA 0.0002 MIN Au PL.  
 SOLDERING AREA 0.001 MIN TIN PL.

REFERENCE P.C.BOARD LAYOUT  
 (VIEW FROM CONN. MOUNTING SIDE)

AVAILABLE	51.8	50.6	54.7	50	47.4	160
AVAILABLE	45.8	44.6	48.7	44	41.4	140
NOT AVAILABLE	39.8	38.6	42.7	38	35.4	120
AVAILABLE	33.8	32.6	36.7	32	29.4	100
NOT AVAILABLE	30.8	29.6	33.7	29	26.4	90
NOT AVAILABLE	27.8	26.6	30.7	26	23.4	80
AVAILABLE	24.8	23.6	27.7	23	20.4	70
NOT AVAILABLE	21.8	20.6	24.7	20	17.4	60
↑	19.8	17.6	21.7	17	14.4	50
↑	15.8	14.6	18.7	14	11.4	40
NOT AVAILABLE	12.8	11.6	15.7	11	8.4	30
TOOLING STATUS	E	D	C	B	A	POS

GENERAL TOLERANCE  
 一般公差

10 ≥ ±0.2  
 30 ≥ >10: ±0.25  
 100 ≥ >30: ±0.3  
 ANGLES: ±3°

THIS DRAWING IS A CONTROLLED DOCUMENT.

DIMENSIONS: 単位: 耗 mm

TOLERANCES UNLESS OTHERWISE SPECIFIED: 一般公差

0 PLC ± -  
 1 PLC ± -  
 2 PLC ± -  
 3 PLC ± -  
 4 PLC ± -  
 ANGLES ± -

MATERIAL 材料

FINISH 仕上

DWN  
 CHK  
 APVD

PRODUCT SPEC 製品規格  
 APPLICATION SPEC 取付適用規格

WEIGHT

CUSTOMER DRAWING

SCALE 尺度 4:1

SHEET 2 OF 2

REV B

STE TE Connectivity

NAME 名称  
 EMBOSS ASSY  
 FH 0.6BTB CONNECTOR  
 PLUG 8H STD TYPE

SIZE A3  
 CAGE CODE 00779  
 DRAWING NO 番号 C-5353187  
 RESTRICTED TO