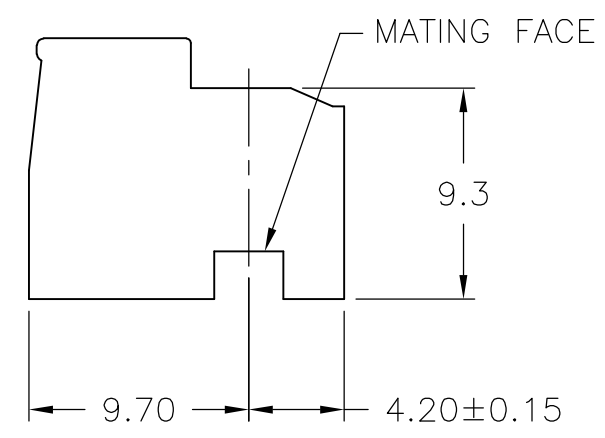
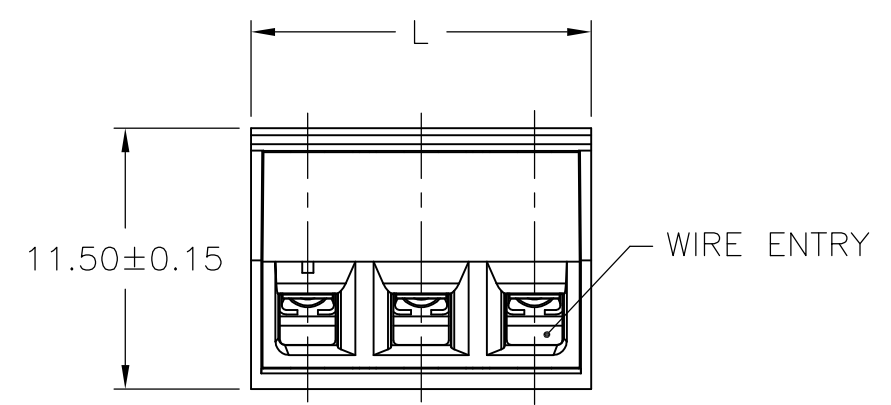
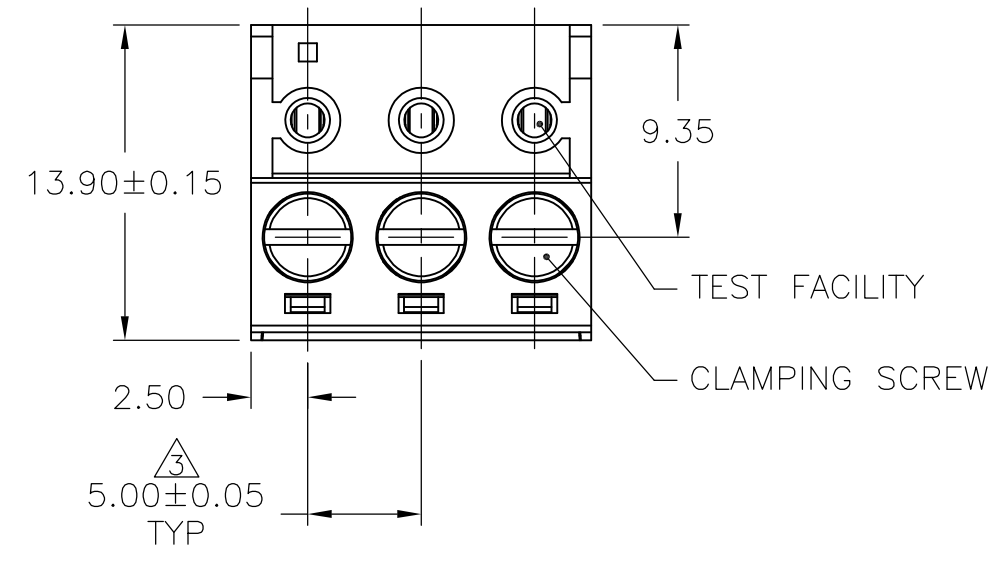


THIS DRAWING IS UNPUBLISHED. RELEASED FOR PUBLICATION
 © COPYRIGHT BY TYCO ELECTRONICS CORPORATION. ALL INTERNATIONAL RIGHTS RESERVED.

LOC	DIST	REVISIONS					
		P	LTR	DESCRIPTION	DATE	DWN	APVD
—	—		A1	REVISED PER ECO-09-017426	8/26/09	SS	CR



- 1. MATERIALS AND FINISH
 HOUSING : PA 6.6, UL 94-V0, COLOR GRAY.
 CLAMP : BRASS, NICKEL PLATED
 TERMINAL : BRASS, TIN PLATED
 CONTACT SPRING : PHOSPHOR BRONZE, TIN PLATED
 CLAMPING SCREW : M3, BRASS, NICKEL PLATED
- 2. WIRE SIZE RANGE: 14 - 30 AWG
- 3. NOT CUMULATIVE TOLERANCE
- 4. END TO END STACKABLE W/O LOSS OF CENTERLINE SPACING.

DIM "A"	NO OF POS	PART NUMBER
125.0	25	2-1546226-5
120.0	24	2-1546226-4
115.0	23	2-1546226-3
110.0	22	2-1546226-2
105.0	21	2-1546226-1
100.0	20	2-1546226-0
95.0	19	1-1546226-9
90.0	18	1-1546226-8
85.0	17	1-1546226-7
80.0	16	1-1546226-6
75.0	15	1-1546226-5
70.0	14	1-1546226-4
65.0	13	1-1546226-3
60.0	12	1-1546226-2
55.0	11	1-1546226-1
50.0	10	1-1546226-0
45.0	9	1546226-9
40.0	8	1546226-8
35.0	7	1546226-7
30.0	6	1546226-6
25.0	5	1546226-5
20.0	4	1546226-4
15.0	3	1546226-3
10.0	2	1546226-2
DIM "A"	NO OF POS	PART NUMBER

THIS DRAWING IS A CONTROLLED DOCUMENT.		DWN S SCHLEGEL 26AUG2009	Tyco Electronics Corporation Harrisburg, PA 17105-3608			
DIMENSIONS: mm		CHK C RICHARD 8/26/09				
TOLERANCES UNLESS OTHERWISE SPECIFIED:		APVD C RICHARD 8/26/09	NAME			
0 PLC ± - 1 PLC ± 0.3 2 PLC ± 0.25 3 PLC ± - 4 PLC ± - ANGLES ± 1°		PRODUCT SPEC	TERMINAL BLOCK PLUG 90/270 DEGREE, 5.0mm PITCH			
MATERIAL		APPLICATION SPEC	SIZE	CAGE CODE	DRAWING NO	RESTRICTED TO
FINISH		WEIGHT	A3	00779	C-1546226	—
CUSTOMER DRAWING			SCALE	SHEET	REV	
			3:1	1 OF 1	A1	