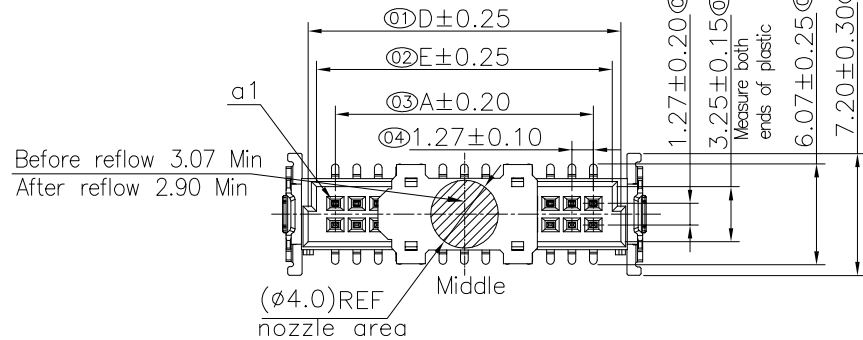
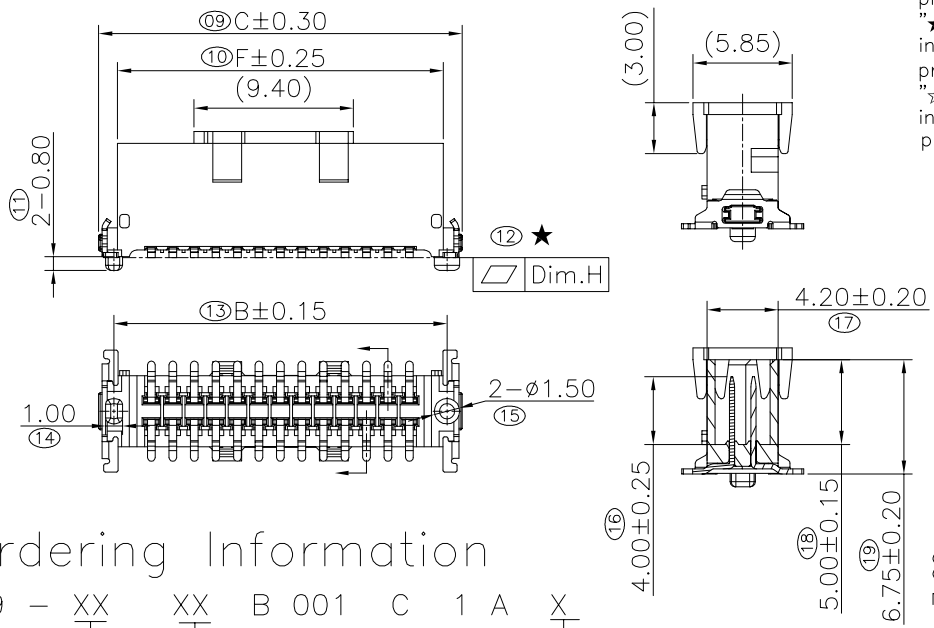


| REV. | LOCAS. | DESCRIPTION | DATE | DRAWN |
|------|--------|-----------------------------------|------------|-------|
| 01 | NEW | BATCH PRODUCTION INITIAL RELEASE. | 2022.07.28 | 賴昌僥 |

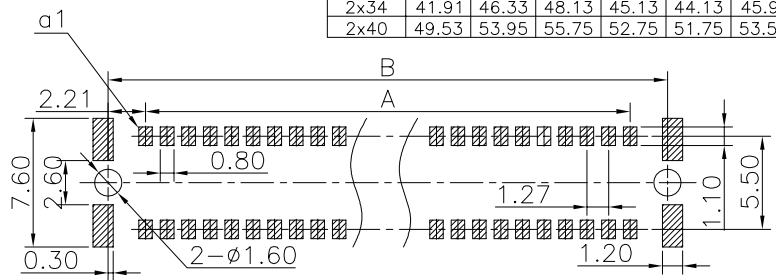


Specifications
 Current Rating:1.7Amp/Pin.
 Insulation Resistance:10000MΩ Min.
 Dielectric Withstanding Voltage:500VAC
 Contact Resistance:25mΩ Max.
 Operating Temperature:-55°C to +125°C
 Materials
 Contact Material:Phosphor Bronze
 Insulator Material:High Temperature Thermoplastic, UL 94V-0 LCP or the equivalent material Colour:Black
 ☆ All materials must meet Greenconn requirement for environment protection.
 "★": Critical Characteristics.
 indicates product characteristics, functionalities, and manufacturing processes regarding to customer's specifications
 "☆": Safety Features
 indicates product characteristics, functionalities, and manufacturing processes complying to legal regulations stated by local government



| Pin No. | Dim.H |
|---------|-------|
| ≤25Pin | 0.12 |
| >25Pin | 0.15 |

| No. of PIN/ROW | Dimension Information | | | | | |
|----------------|-----------------------|-------|-------|-------|-------|-------|
| | A | B | C | D | E | F |
| 2x05 | 5.08 | 9.50 | 11.30 | 8.30 | 7.30 | 9.08 |
| 2x06 | 6.35 | 10.77 | 12.57 | 9.57 | 8.57 | 10.35 |
| 2x08 | 8.89 | 13.31 | 15.11 | 12.11 | 11.11 | 12.89 |
| 2x10 | 11.43 | 15.85 | 17.65 | 14.65 | 13.65 | 15.43 |
| 2x13 | 15.24 | 19.66 | 21.46 | 18.46 | 17.46 | 19.24 |
| 2x16 | 19.05 | 23.47 | 25.27 | 22.27 | 21.27 | 23.05 |
| 2x20 | 24.13 | 28.55 | 30.35 | 27.35 | 26.35 | 28.13 |
| 2x25 | 30.48 | 34.90 | 36.70 | 33.70 | 32.70 | 34.48 |
| 2x34 | 41.91 | 46.33 | 48.13 | 45.13 | 44.13 | 45.91 |
| 2x40 | 49.53 | 53.95 | 55.75 | 52.75 | 51.75 | 53.53 |



Recommended P.C.Board Layout
(Tolerance:±0.05)

Ordering Information

G BEC209 - XX XX B 001 C 1 A X

No. of Pins per Row: 05,06,08,10,13,16,20,25,34,40
 Standard Plating: 05=1u"Au/80~160u"Matte Tin, 79=5u"Au/80~160u"Matte Tin
 Standard Packing: C=Tube, E=CAP+Tube, Selective Packing, F=CAP+Tape&Reel

Greenconn
 Website:www.greenconn.com
 E-mail:sales@greenconn.com

REV. 01 UNIT. mm SCALE. 5:2

3RD.ANG PROJ.

 PAGE. 1/1

| GENERAL TOLERANCE | |
|-------------------|-----------|
| X.*±5.0° | X.±0.30 |
| .X*±3.0° | .X±0.25 |
| .XX*±2.0° | .XX±0.15 |
| .XXX*±1.0° | .XXX±0.10 |

DESIGNED: 賴昌僥
 CHECKED:
 APPROVED:

DATE: 2022.07.28
 DATE:
 DATE:

DWG. NO. GBEC209-CB001
 PART NO. GBEC209-XXXXB001C1AX

TITLE. PITCH 1.27 MALE SMC Q TYPE SMT TYPE H6.70mm CONNECTOR