

1

2

3

4

5

6

7

A

A

B

B

C

C

D

D

E

E

F

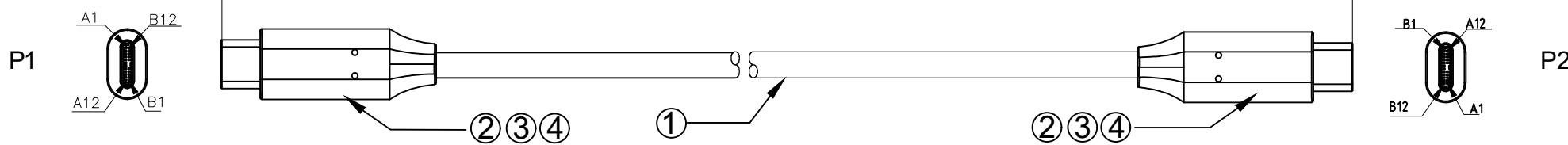
F

G

G

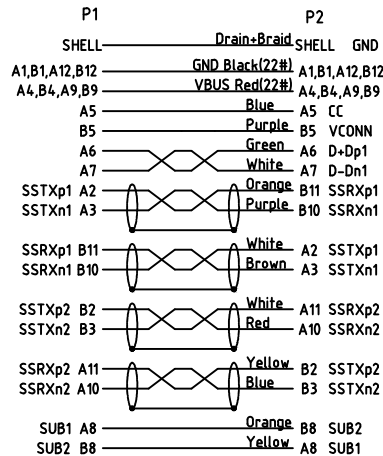
H

H



NOTE:
 1. Transmission speed: 20Gbps
 2. Conductive resistance: 5Ω Max
 3. Insulation resistance: 10MΩ Min/300VDC, 10ms
 4. 100% open, short, miswire test.
 5. Charging: 20V/5A, 100W

PIN ASSIGNMENT



WSW P/N	Length
A-USB32C2-32C2-100-B	1000±30
A-USB32C2-32C2-150-B	1500±40
A-USB32C2-32C2-180-B	1800±40

Over mold	PVC 60P BK, UL94V-0	NA	G	
Inner mold	LD-PE	NA	G	
CONN	Type-C male, contact 3u" Au plated	2	PCS	
CABLE	(7/0.08TC×FMPEØ0.58×1P+AL+MY)×4P+7/0.08TC×HDPEØ0.45×1P+7/0.08TC×HDPEØ0.45×4C+42/0.10TC×HDPEØ1.1×2C+AL+B96/0.08TC PVC Black OD5.2	1	PCS	
NO.	NAME	DESCRIPTION	Q'TY	UNIT

RoHS compliant
Unit: mm

Scale Free

TOLERANCE

DIM TOL

Angle TOL

①	Drawn	24.04.2023	Daniel
Id.	Modification	Date	Name



Date	Name	Customer-No.
24.04.2023	Daniel	
Approved	24.04.2023	Daniel
		ASSMANN WSW-No. A-USB32C2-32C2-xxx-B
		Drawing-No.
		ASS 10518 CA rev00
		Replace
		Sheet 1/1

1

2

3

4

5

6

7