



Connectors > Pluggable IO Connectors & Cages > CXP > CXP Receptacle Kits



Pluggable I/O Product Type: **Receptacle Assembly**

PCB Mounting Style: **Single-Sided**

Number of Ports: **1**

Port Matrix Configuration: **1 x 1**

Included Lightpipe: **Yes**

[All CXP Receptacle Kits \(0\)](#)

Features

Product Type Features

| | |
|-----------------------------------|-----------------------|
| Form Factor | CXP |
| Connector & Housing Type | Receptacle |
| Cage Type | Single |
| Pluggable I/O Product Type | Receptacle Assembly |
| Connector System | Cable-to-Board |
| Sealable | Yes |
| Connector & Contact Terminates To | Printed Circuit Board |

Configuration Features

| | |
|---------------------------|----------|
| Number of Ports | 1 |
| Port Matrix Configuration | 1 x 1 |
| Lightpipe Configuration | Custom |
| Lightpipe Profile | Standard |
| Number of Positions | 84 |

Electrical Characteristics



| | |
|-----------------|----------|
| Data Rate (Max) | 125 Gb/s |
|-----------------|----------|

Body Features

| | |
|----------------------------------|-----------------|
| Primary Product Plating Material | Tin over Nickel |
|----------------------------------|-----------------|

| | |
|-----------------------|-----------------|
| Cage Plating Material | Tin over Nickel |
|-----------------------|-----------------|

Contact Features

| | |
|--------------------------------------|--|
| Contact Mating Area Plating Material | Gold or Gold Flash over Palladium Nickel |
|--------------------------------------|--|

| | |
|-----------------------|--------------|
| Contact Base Material | Copper Alloy |
|-----------------------|--------------|

Termination Features

| | |
|----------------------|---------------|
| Bezel Mounting Style | Through Bezel |
|----------------------|---------------|

| | |
|---|--------------------------|
| Termination Method to Printed Circuit Board | Through Hole - Press-Fit |
|---|--------------------------|

Mechanical Attachment

| | |
|--------------------|--------------|
| PCB Mounting Style | Single-Sided |
|--------------------|--------------|

| | |
|-------------------------|-------------|
| Connector Mounting Type | Board Mount |
|-------------------------|-------------|

Housing Features

| | |
|------------------|------------------------------|
| Housing Material | LCP (Liquid Crystal Polymer) |
|------------------|------------------------------|

| | |
|--------------------|---------------|
| Centerline (Pitch) | .03 mm[.8 in] |
|--------------------|---------------|

Dimensions

| | |
|-----------------------------|------------------|
| PCB Thickness (Recommended) | 1.57 mm[.062 in] |
|-----------------------------|------------------|

Usage Conditions

| | |
|-----------------------------|---------------------------|
| Operating Temperature Range | -40 – 85 °C[-40 – 185 °F] |
|-----------------------------|---------------------------|

Operation/Application

| | |
|-------------------------------------|--------------------|
| For Use With Pluggable I/O Products | CXP Cable Assembly |
|-------------------------------------|--------------------|

| | |
|---------------------|--------|
| Circuit Application | Signal |
|---------------------|--------|

Industry Standards

| | |
|------------------------|----------|
| UL Flammability Rating | UL 94V-0 |
|------------------------|----------|

Packaging Features

| | |
|------------------|------------------|
| Packaging Method | Box & Tray, Tray |
|------------------|------------------|

Other

| | |
|--------------------|-----|
| Included Lightpipe | Yes |
|--------------------|-----|

| | |
|------------------------------|--------------------|
| EMI Containment Feature Type | Elastomeric Gasket |
|------------------------------|--------------------|

Product Compliance

[For compliance documentation, visit the product page on TE.com>](#)

| | |
|---|--|
| EU RoHS Directive 2011/65/EU | Compliant |
| EU ELV Directive 2000/53/EC | Compliant |
| China RoHS 2 Directive MIIT Order No 32, 2016 | No Restricted Materials Above Threshold |
| EU REACH Regulation (EC) No. 1907/2006 | Current ECHA Candidate List: JUNE 2023 (235) Candidate List Declared Against: JAN 2023 (233) Does not contain REACH SVHC |
| Halogen Content | Not Low Halogen - contains Br or Cl > 900 ppm. |
| Solder Process Capability | Not applicable for solder process capability |

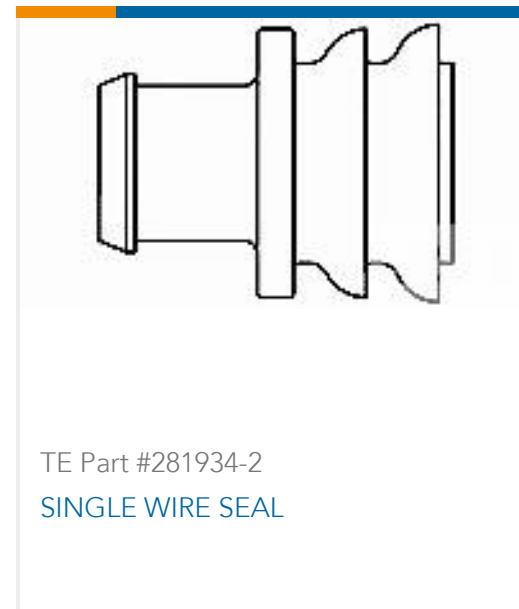
Product Compliance Disclaimer

This information is provided based on reasonable inquiry of our suppliers and represents our current actual knowledge based on the information they provided. This information is subject to change. The part numbers that TE has identified as EU RoHS compliant have a maximum concentration of 0.1% by weight in homogenous materials for lead, hexavalent chromium, mercury, PBB, PBDE, DBP, BBP, DEHP, DIBP, and 0.01% for cadmium, or qualify for an exemption to these limits as defined in the Annexes of Directive 2011/65/EU (RoHS2). Finished electrical and electronic equipment products will be CE marked as required by Directive 2011/65/EU. Components may not be CE marked. Additionally, the part numbers that TE has identified as EU ELV compliant have a maximum concentration of 0.1% by weight in homogenous materials for lead, hexavalent chromium, and mercury, and 0.01% for cadmium, or qualify for an exemption to these limits as defined in the Annexes of Directive 2000/53/EC (ELV). Regarding the REACH Regulation, the information TE provides on SVHC in articles for this part number is based on the latest European Chemicals Agency (ECHA) 'Guidance on requirements for substances in articles' posted at this URL: <https://echa.europa.eu/guidance-documents/guidance-on-reach>

Compatible Parts



Customers Also Bought



Documents

Product Drawings

CXP RCPT KIT 84P SINGLE LIGHTPIPE

English

CAD Files

3D PDF

3D

Customer View Model

[ENG_CVM_CVM_2274784-3_A.2d_dxf.zip](#)

English

Customer View Model

[ENG_CVM_CVM_2274784-3_A.3d_igs.zip](#)

English

Customer View Model

[ENG_CVM_CVM_2274784-3_A.3d_stp.zip](#)

English

By downloading the CAD file I accept and agree to the [Terms and Conditions](#) of use.

Product Specifications

Application Specification

English

Instruction Sheets

Instruction Sheet (U.S.)

English

Instruction Sheet (U.S.)

English



[Instruction Sheet \(U.S.\)](#)

English