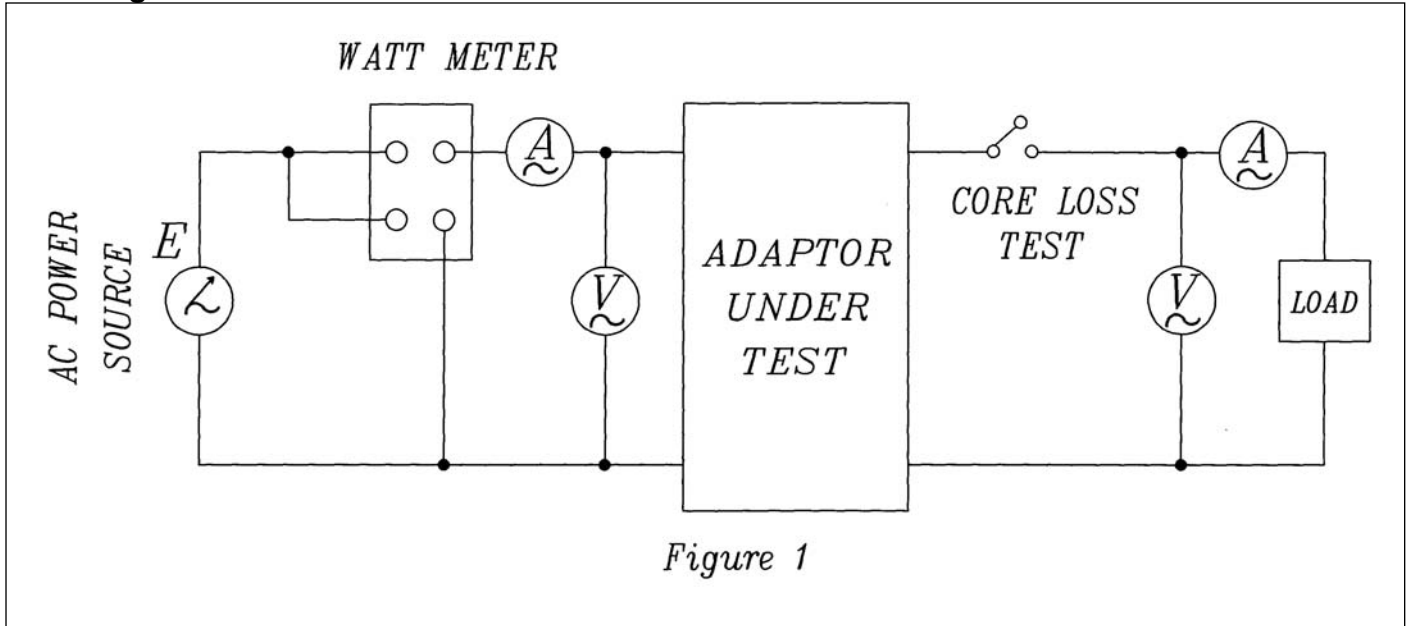
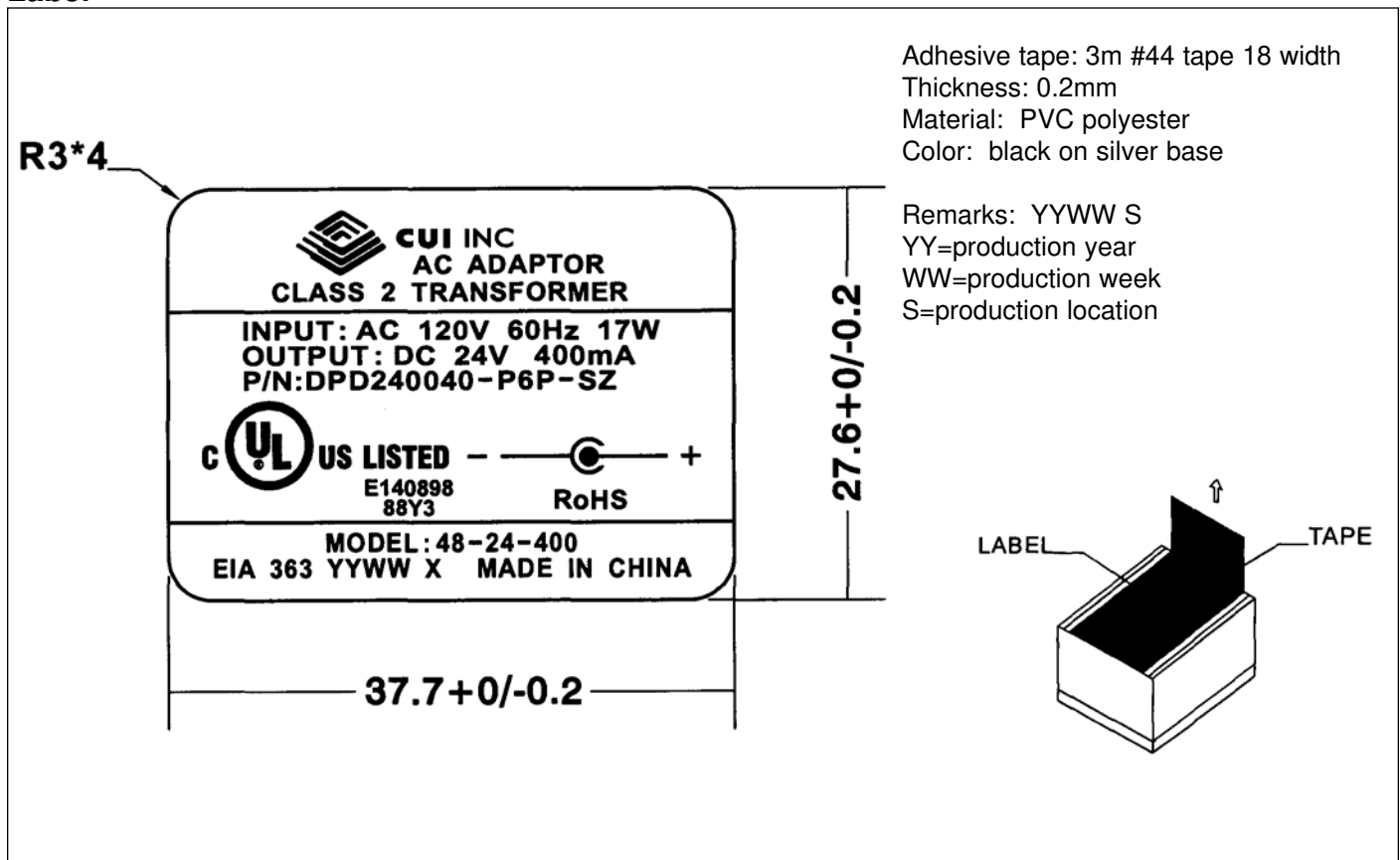


**Specifications**

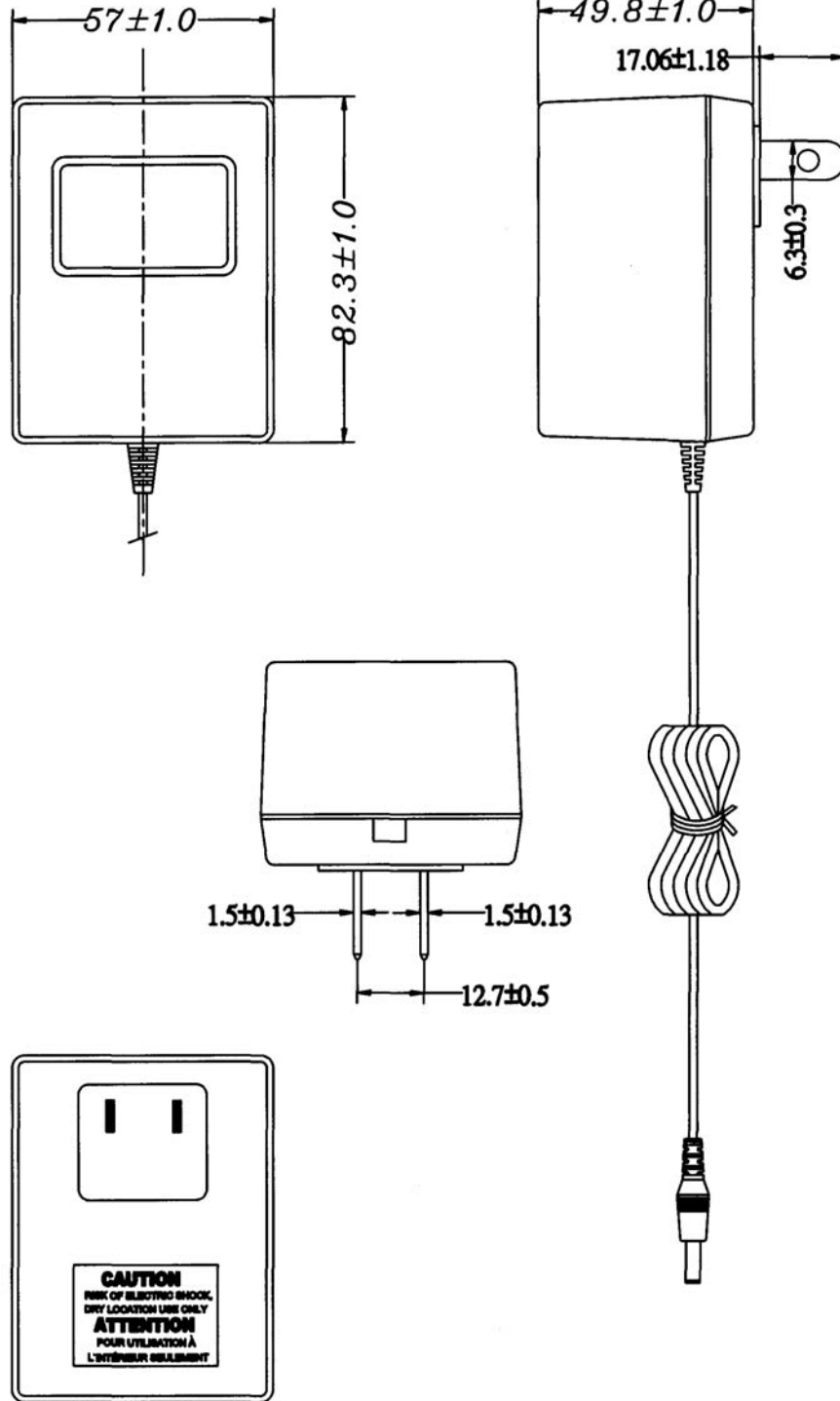
Output voltage	24 V dc at 400 mA	
Primary rated input	120 V ac 60 Hz 17 W	
Primary exciting current	80 mA rms max.	
Secondary rated voltage & current	no load voltage (max.)	33 V max.
	full load volatge (400 mA)	24 V \pm 5%
Temperature rise of primary winding (full load)	70°C max. using resistance method	
Insulation resistance	\geq 100 M Ohm at 500 V dc	
HI-POT test	from input to output for 1 min.	1240 V ac at 2 mA
	from input to output for 1 sec.	1600 V ac at 2 mA
	from primary to seconardy winding for 1 sec.	1600 V ac at 2 mA
	from primary winding to core for 1 sec.	1600 V ac at 2 mA
	from secondary winding to core for 1 sec.	750 V ac at 2 mA
Safety standard	UL/cUL	
RoHS compliant	yes	
Test conditions	Ambient temp	40°C \pm 2°C
	Humidity	90-95% 96 hours at Full Load
	Rated voltage	8 hours at full load
Color	Case	black
	Cord	black
	Plug top	black

Test Diagram

Label


Mechanical Drawing

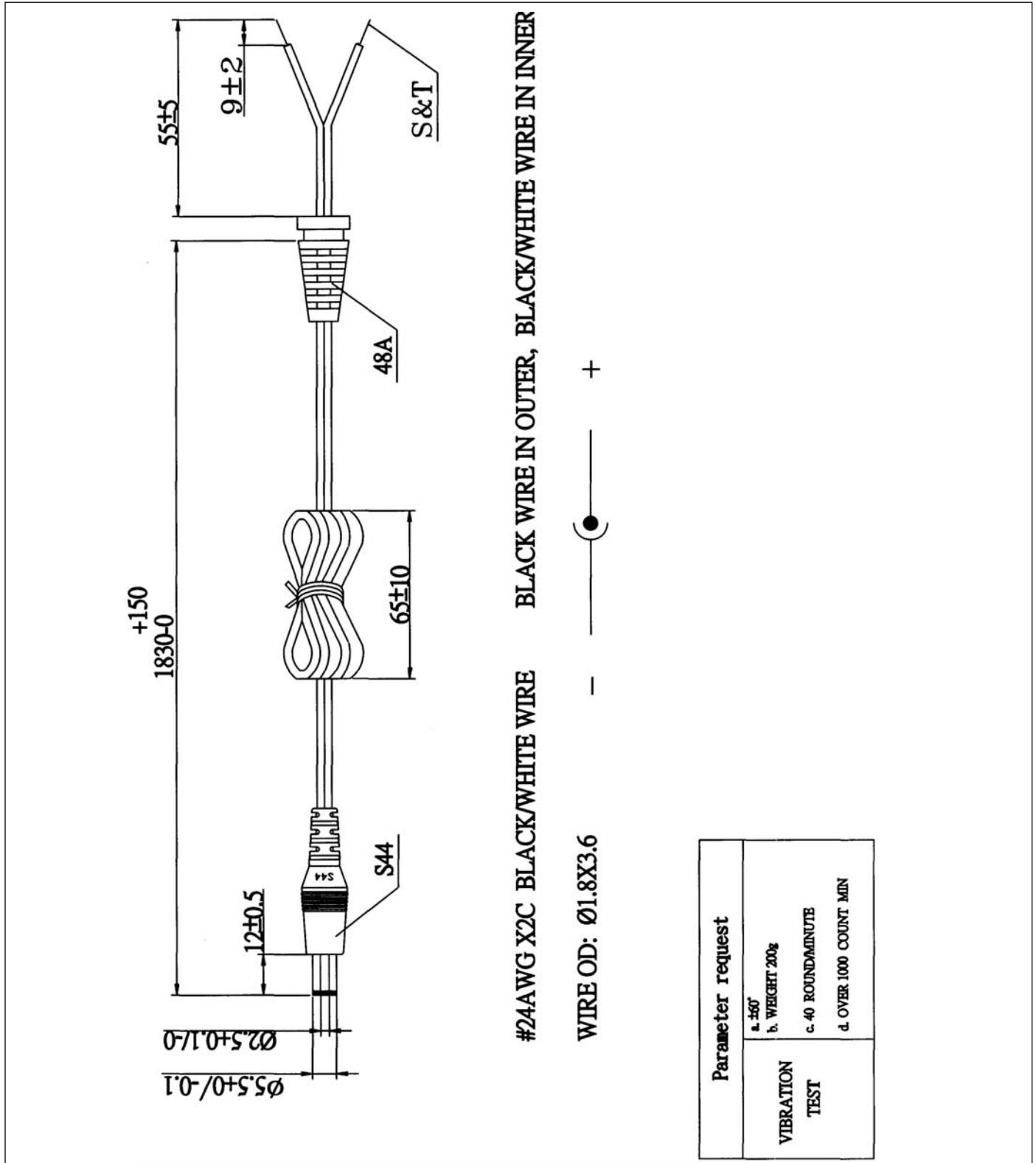
 Tolerance: ± 1

Weight 390 g



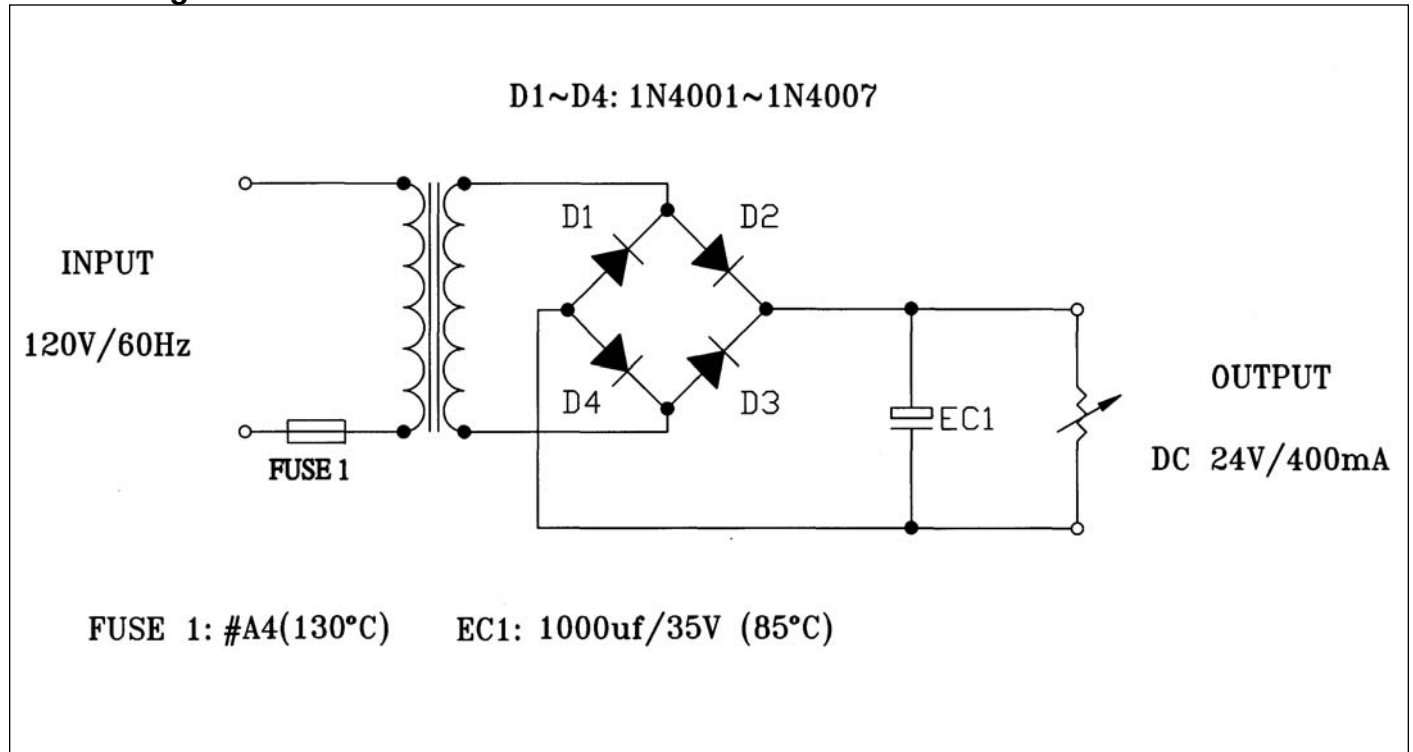


Cord





Circuit Diagrams





CUI INC

Part No: DPD240040-P6P-SZ

Date: 2/27/2006

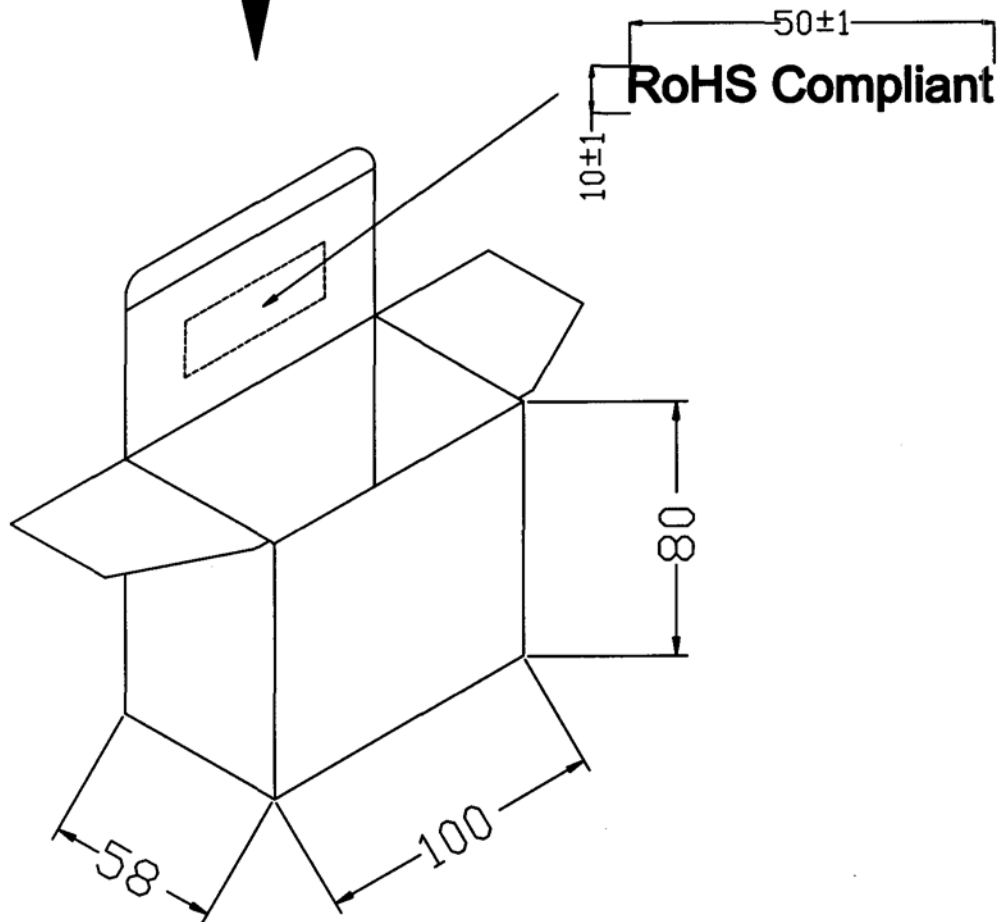
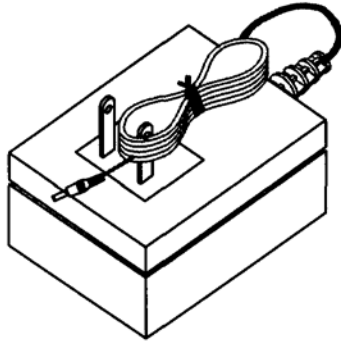
Unit: mm

Description: linear power supply

Page No: 6 of 7

Packaging

Tolerance: ± 1





Packaging

Tolerance: +7/-0

OUTSIDE CARTON:A=B(6mm)
INSIDE CARTON:A-B(3mm)
CARTON SIZE: 430x223x269mm

Q'TY: 40pcs(10X4X1)

