

THIS DRAWING IS UNPUBLISHED. RELEASED FOR PUBLICATION ,1988  
 © COPYRIGHT 1988 BY AMP INCORPORATED. ALL INTERNATIONAL RIGHTS RESERVED.

5327

Loc DF

DIST FO

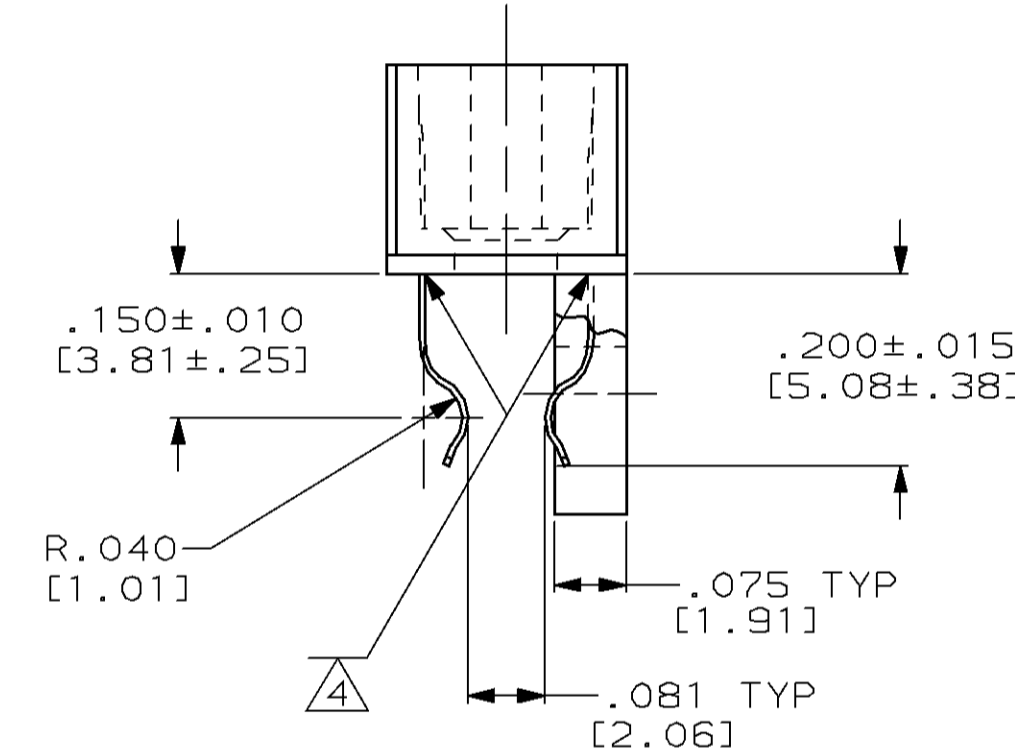
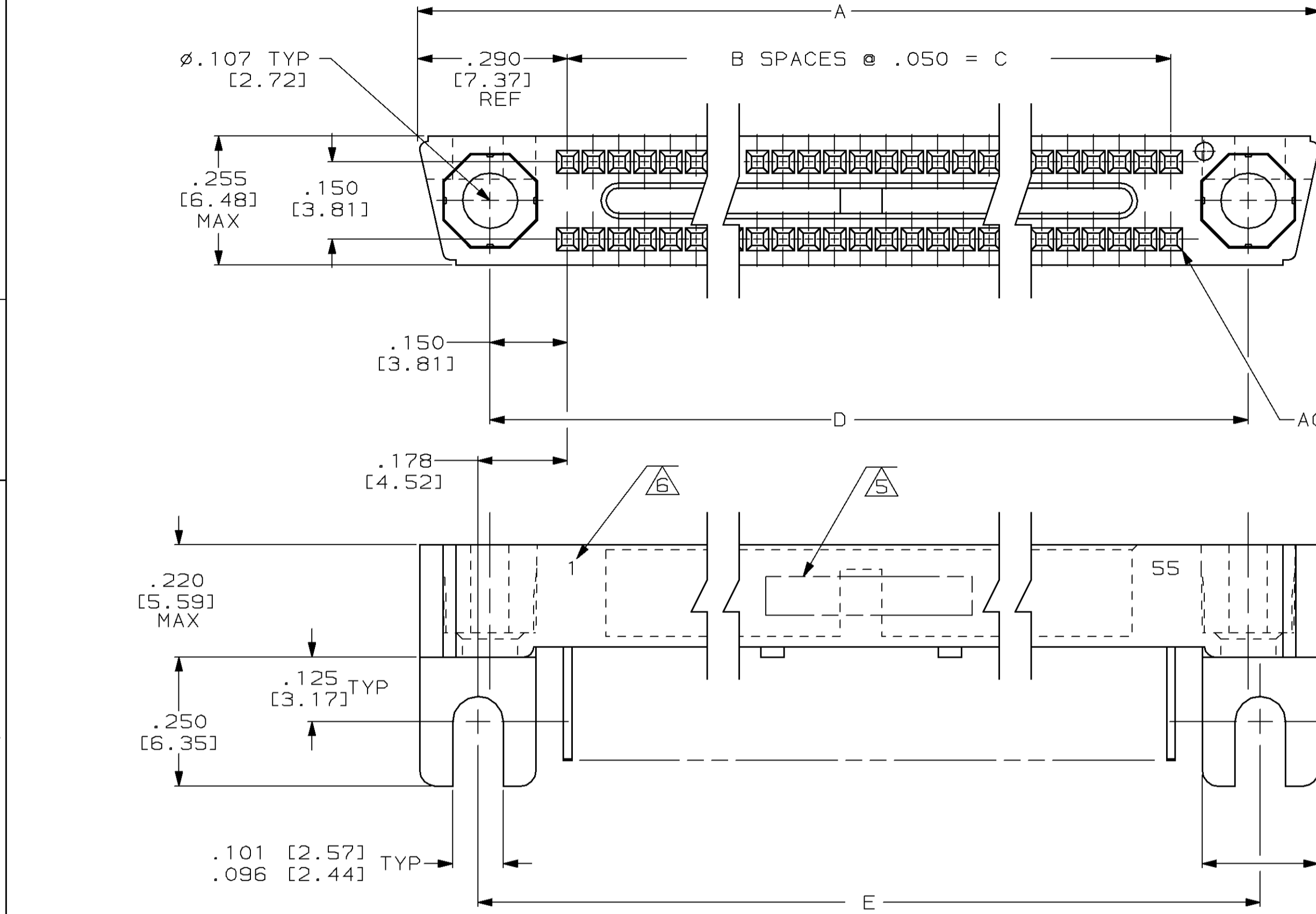
P F

ZONE

LTR

REVISIONS

ZONE	LTR	DESCRIPTION	DATE	APPD
0		RELEASED PER 0600-5607-96 CT	6-96	DG
A		REV PER 0600-6034-96 TT	01-97	DG



- ① HOUSING MATERIAL: LIQUID CRYSTAL POLYMER PER MIL-M-24519, GLCP-30F; COLOR: GRAY.
- ② CONTACT MATERIAL: BERYLLIUM COPPER.
- ③ CONTACT FINISH: .000050 GOLD IN CONTACT AREA, GOLD FLASH OVER REMAINDER OF CONTACT. BOTH OVER NICKEL.
- ④ THIN BEAD OF EPOXY ADDED FOR CONTACT RETENTION.
- ⑤ AMP, PART NO. & DATE CODE MARKED THIS APPROXIMATE AREA.
- ⑥ NUMBERS OF END POSITIONS MARKED ONE SIDE ONLY (SEE TABLE).
- ⑦ MUST MEET ALL APPLICABLE REQUIREMENTS OF MIL-C-55302.

1 - 55	3.055 [77.60]	3.000 [76.20]	2.700 [68.58]	54	3.290 [83.57]	110	443851-1
CONTACT IDENT NUMBERS	E	D	C	B	A	NUMBER OF CONTACTS	PART NUMBER
DO NOT SCALE PRINT. UNLESS SPECIFIED DIMENSIONS IN INCHES [mm] TOLERANCES ON:			DR 6-11-96 C.C. THOMAS		AMP INCORPORATED Harrisburg, Pa. 17105		
2 PLC DEC ±			CHK 6-11-96 D. GUTTER				
3 PLC DEC ± .005 [0.13]			APPD 6-11-96 D. GUTTER		NAME RECEPTACLE ASSEMBLY, MINI BOX LOW FORCE CONTACTS CARD EXTENDER, W/MOUNTING EARS SPECIAL FOR .093 [2.36] BOARD		
ANGLES ±			RLSE 6-11-96 C.C. THOMAS				
MATERIAL			PRODUCT SPEC		SIZE <b>C</b> 00779		
FINISH			APPLICATION SPEC				
①②			WEIGHT		SCALE 5:1		
③					SHEET 1 OF 1		