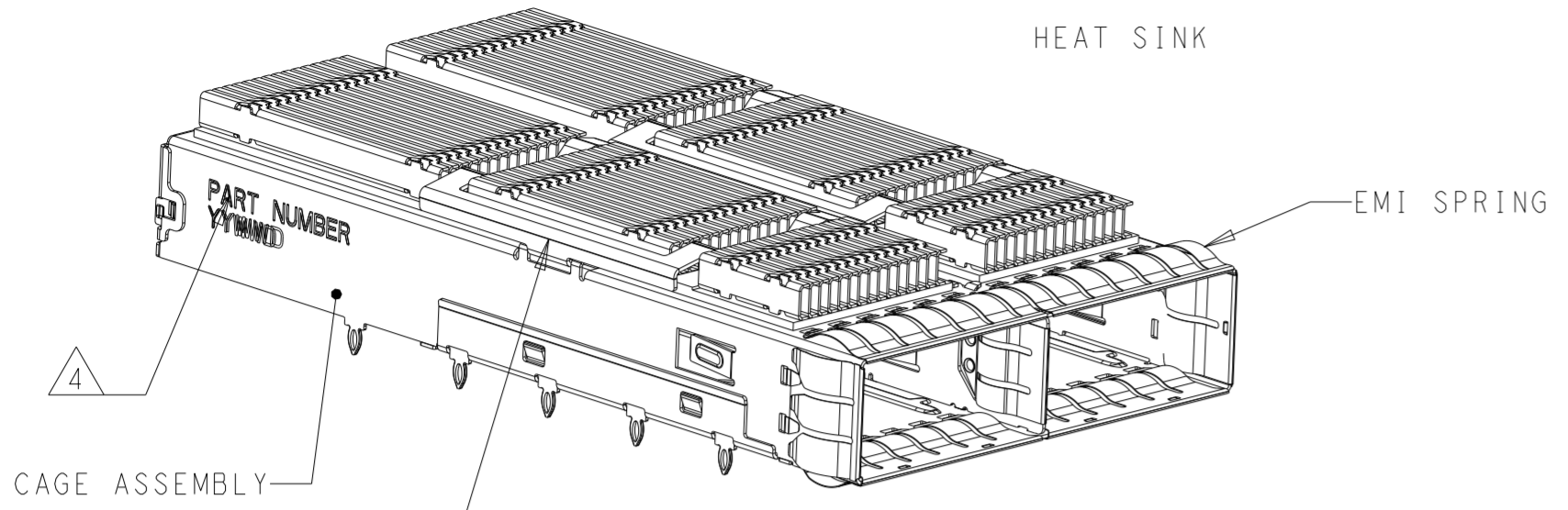
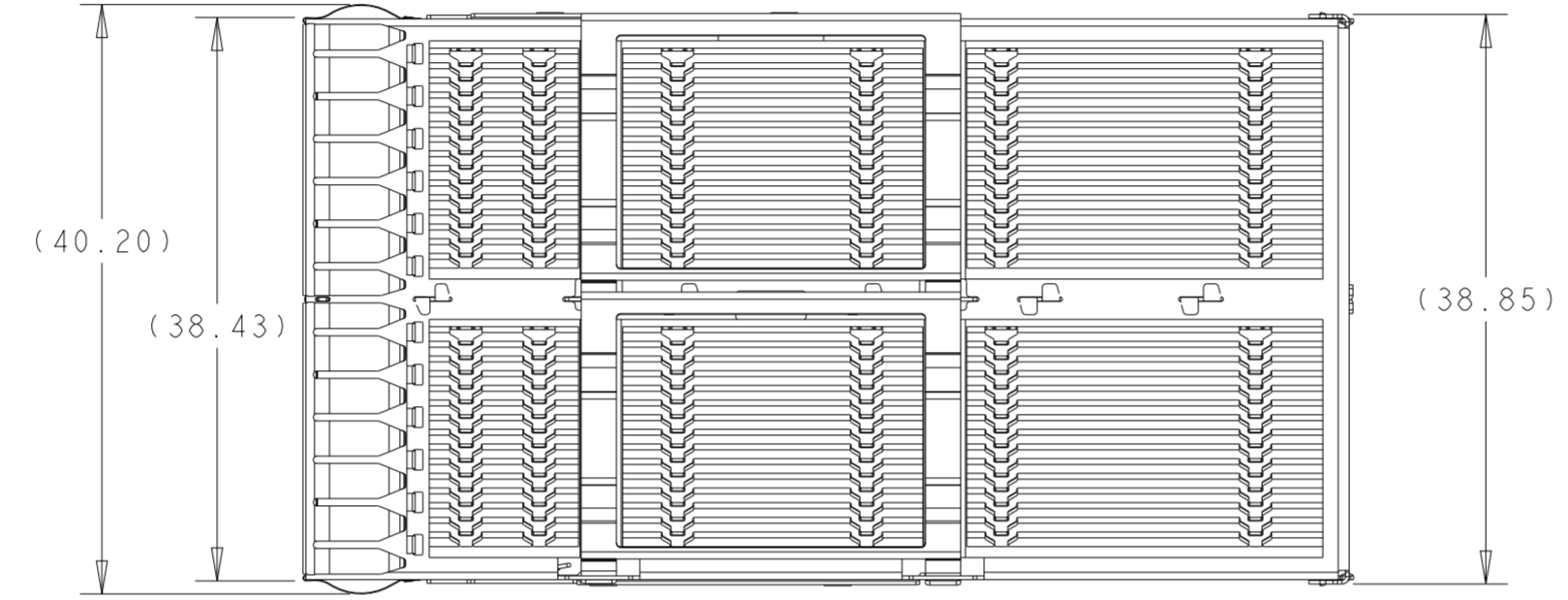


THIS DRAWING IS UNPUBLISHED. RELEASED FOR PUBLICATION 20
 © COPYRIGHT 20 BY - ALL RIGHTS RESERVED.

REVISIONS				
P	LTR	DESCRIPTION	DATE	APVD
A		INITIAL RELEASE	14JUN2019	AJ SH
A1		ADDED NEW DASH 1-1/1-2/1-3	01NOV2019	AJ SH
A2		REVISED PER ECO-20-014966	20OCT2020	SH SH
A3		REVISED PER ECN-21-108538	28JUN2021	SH SZ

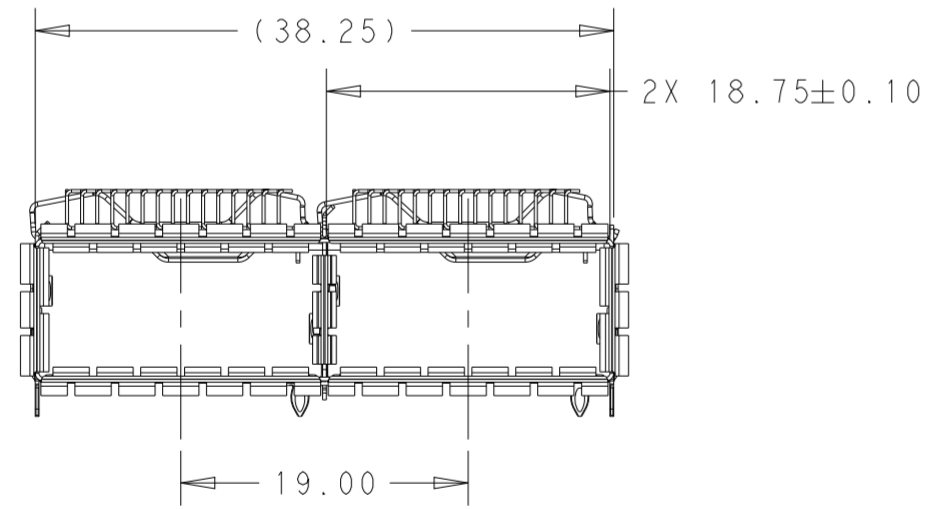


2342936-1 AS SHOWN
SCALE 2:1

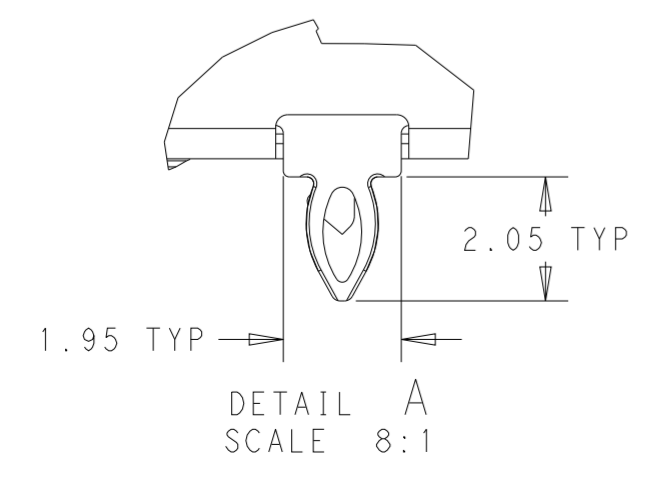
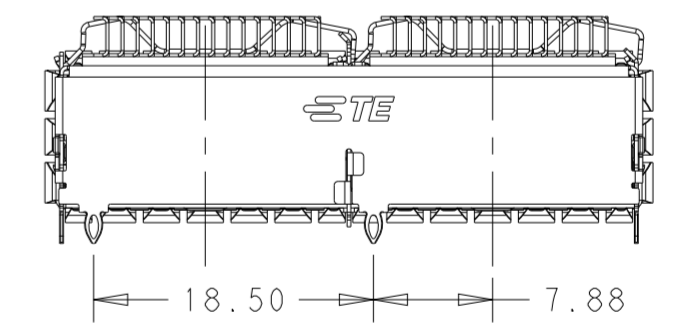
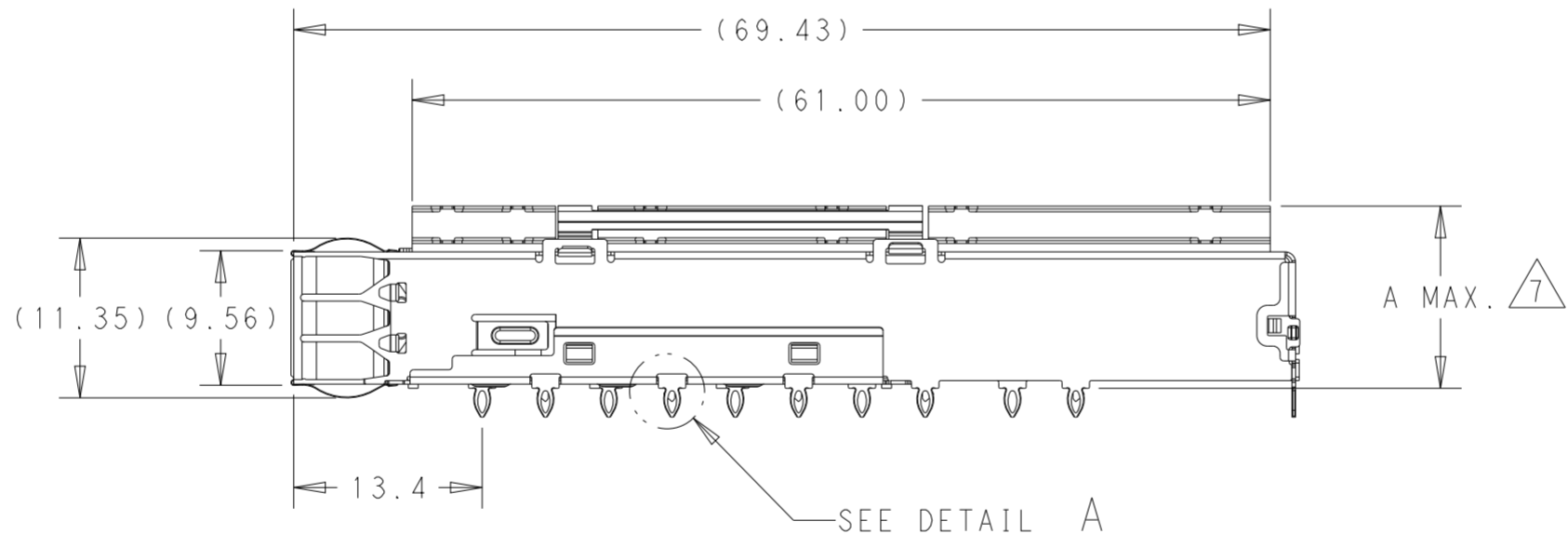


NOTES:

- 1 CAGE ASSEMBLY: STAINLESS STEEL.
HEAT SINK: ALUMINUM/ NICKEL PLATING.
HEAT SINK CLIP: STAINLESS STEEL.
EMI SPRING: COPPER ALLOY/NICKEL PLATE.
- 2 REFERENCE APPLICATION SPECIFICATION 114-60025 FOR RECOMMENDED DRILL HOLE DIAMETER AND PLATING THICKNESS. BOARD LAYOUT PER THIS PRINT.
- 3 DATUM AND BASIC DIMENSION ESTABLISHED BY CUSTOMER.
- 4 PART NUMBER AND DATE CODE (YYWWDD) MARKED APPROXIMATELY AS SHOWN.
- 5. MATES WITH QSFP DD MSA COMPATIBLE TRANSCEIVER.
- 6. MINIMUM PC BOARD THICKNESS: SINGLE SIDED: 1.57 MIN
DOUBLE SIDED: 3.00 MIN
- 7 DIMENSION APPLIES WITH MODULE INSERTED.



2342936-1 AS SHOWN
SCALE 2:1



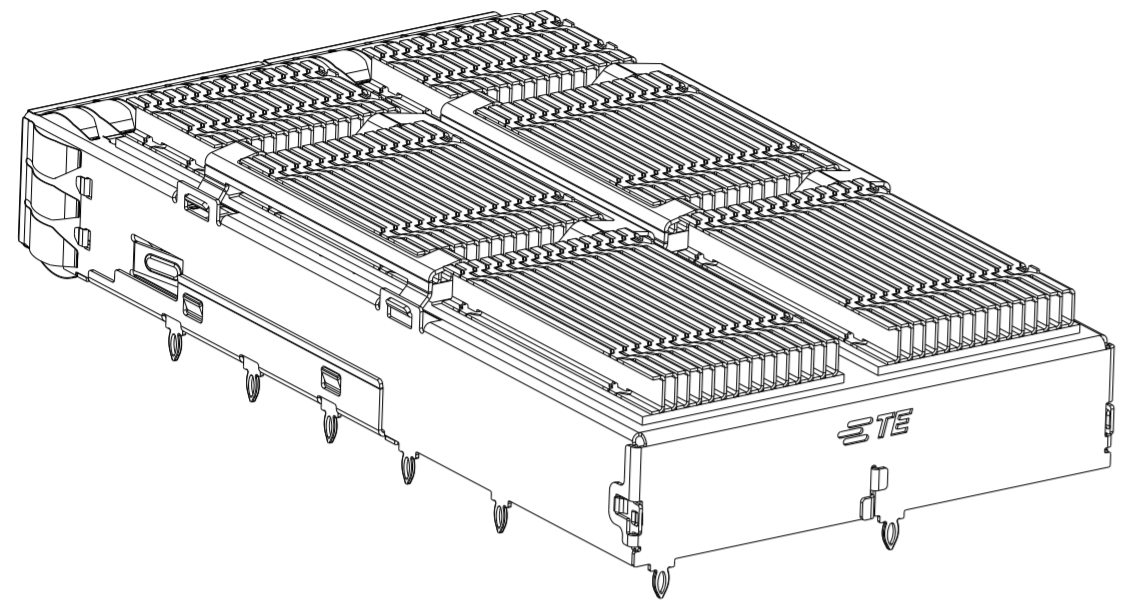
15.05	1	CUSTOMIZED	2-2342936-1
23.00	0	NETWORKING	1-2342936-3
16.00	0	SAN	1-2342936-2
13.70	0	PCI	1-2342936-1
17.50	1	CUSTOMIZED	2342936-4
23.00	1	NETWORKING	2342936-3
16.00	1	SAN	2342936-2
13.70	1	PCI	2342936-1
DIM A	REAR PIN # PER PORT	APPLICATION (HEAT SINK OPTION)	PART NUMBER

THIS DRAWING IS A CONTROLLED DOCUMENT.

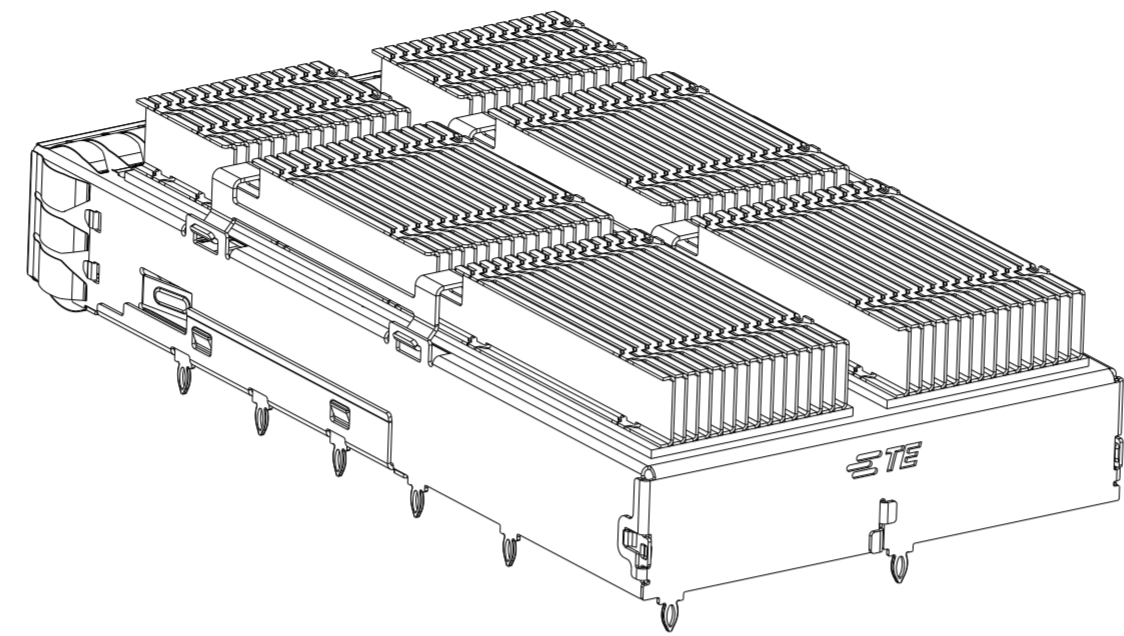
DIMENSIONS: mm	TOLERANCES UNLESS OTHERWISE SPECIFIED: 0 PLC ±0.25 1 PLC ±0.25 2 PLC ±0.20 3 PLC ±0.10 4 PLC ± ANGLES ± FINISH	DWN ARTHUR JIN 11SEP2018 CHK SEAN HAN 11SEP2018 APVD SEAN HAN 11SEP2018	TE Connectivity	
MATERIAL: SEE NOTE	SEE NOTE	PRODUCT SPEC: 108-60122 APPLICATION SPEC: 114-60025	NAME: QSFP-DD, 1X2 CAGE ASSEMBLY W-ZIPPER FIN HEAT SINK W-EMI SPRING, SIZE: A2 CAGE CODE: - DRAWING NO: C-2342936 RESTRICTED TO: -	
CUSTOMER DRAWING		WEIGHT: -	SCALE: 1:1	SHEET 1 OF 6 REV A3

THIS DRAWING IS UNPUBLISHED. RELEASED FOR PUBLICATION 20
 © COPYRIGHT 20 BY - ALL RIGHTS RESERVED.

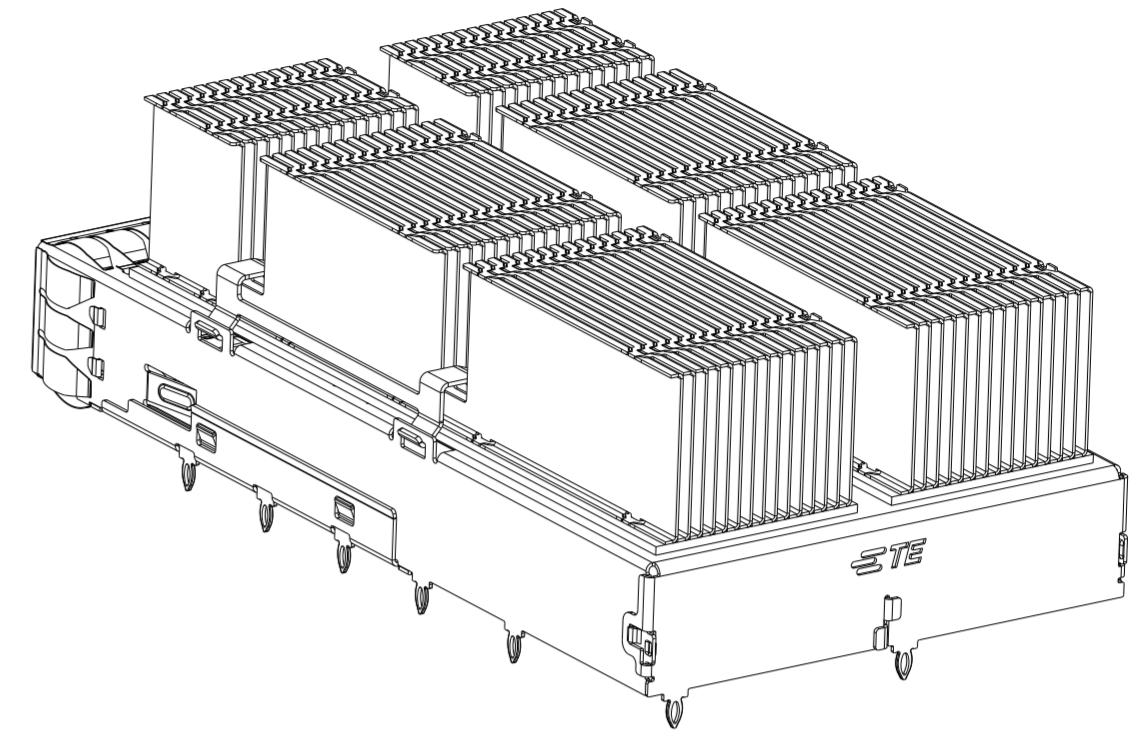
REVISIONS					
P	LTR	DESCRIPTION	DATE	DWN	APVD
-		SEE SHEET 1	-	-	-



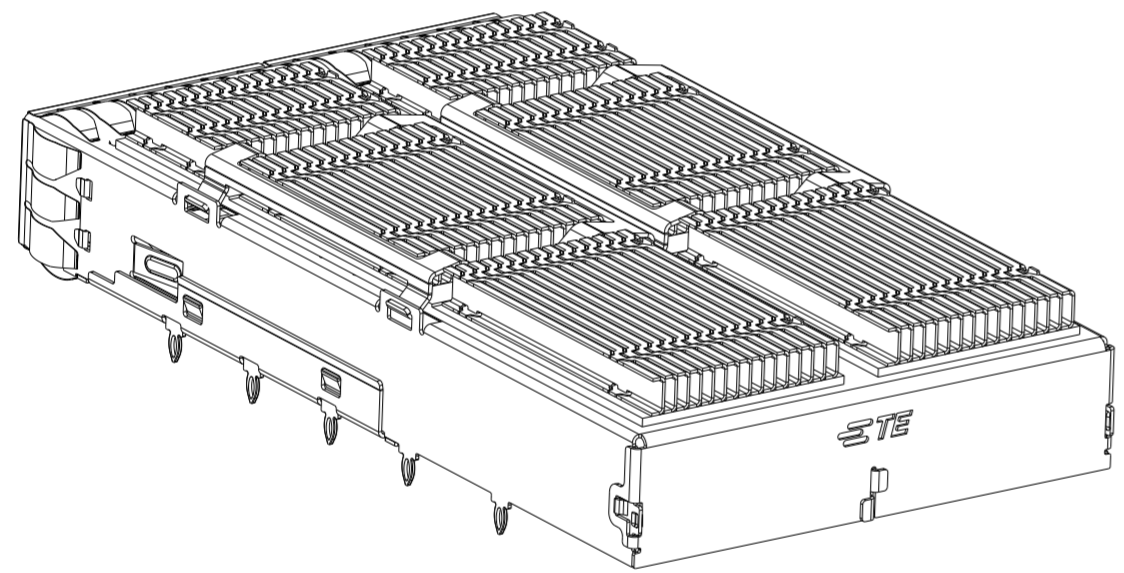
2342936-1 AS SHOWN
WITH PCI HEAT SINK
SCALE 2:1



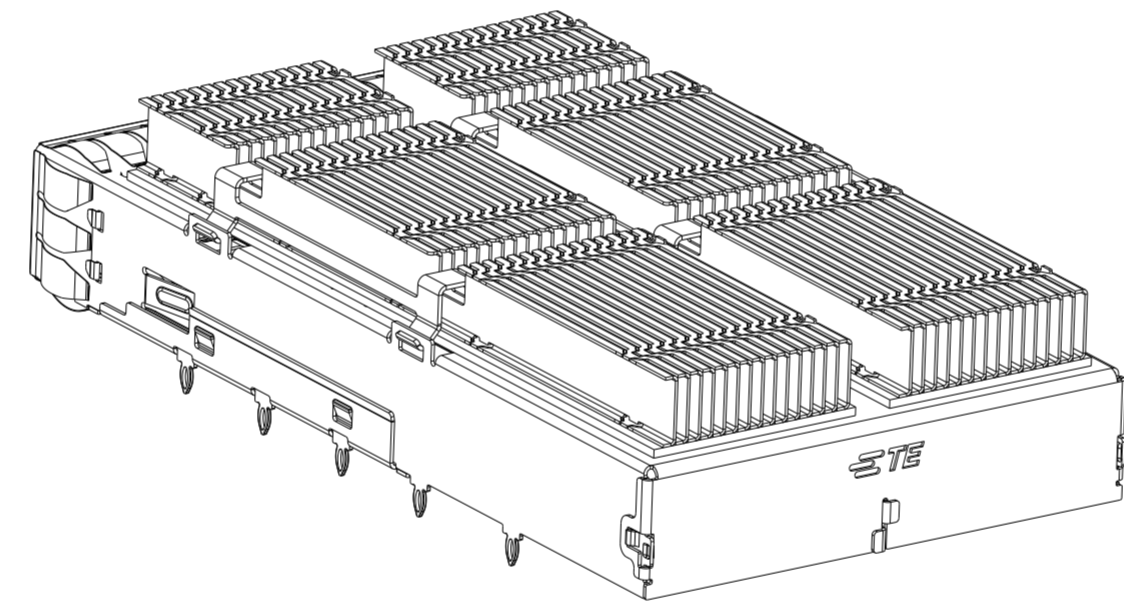
2342936-2 AS SHOWN
WITH SAN HEAT SINK
SCALE 2:1



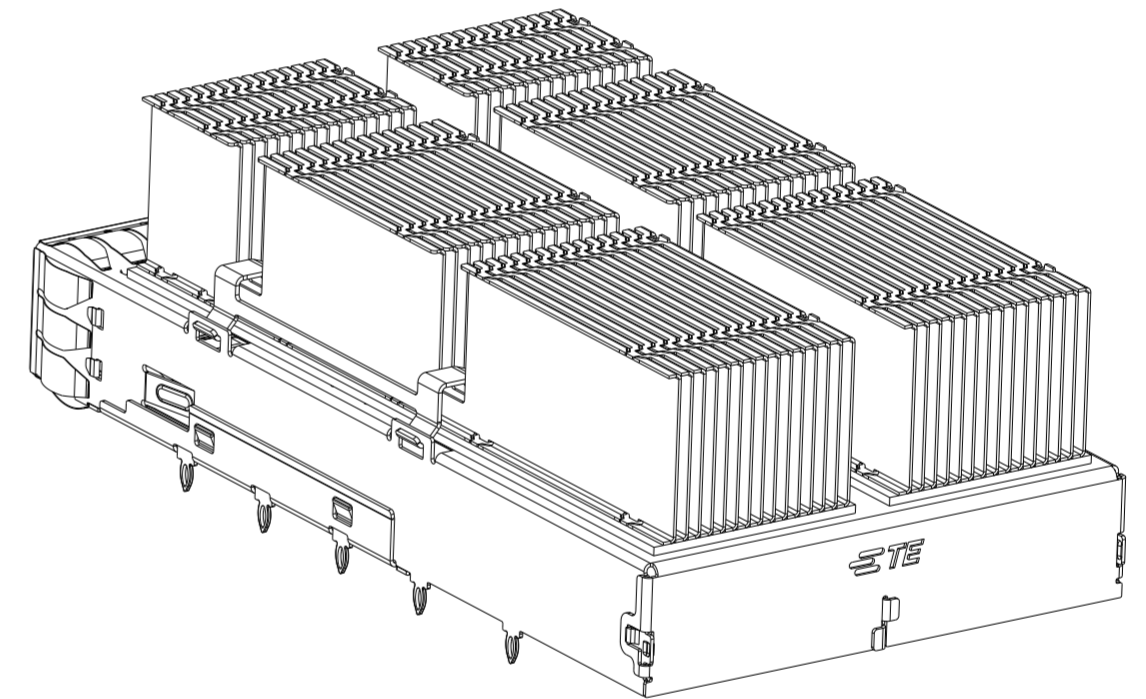
2342936-3 AS SHOWN
WITH NETWORKING HEAT SINK
SCALE 2:1



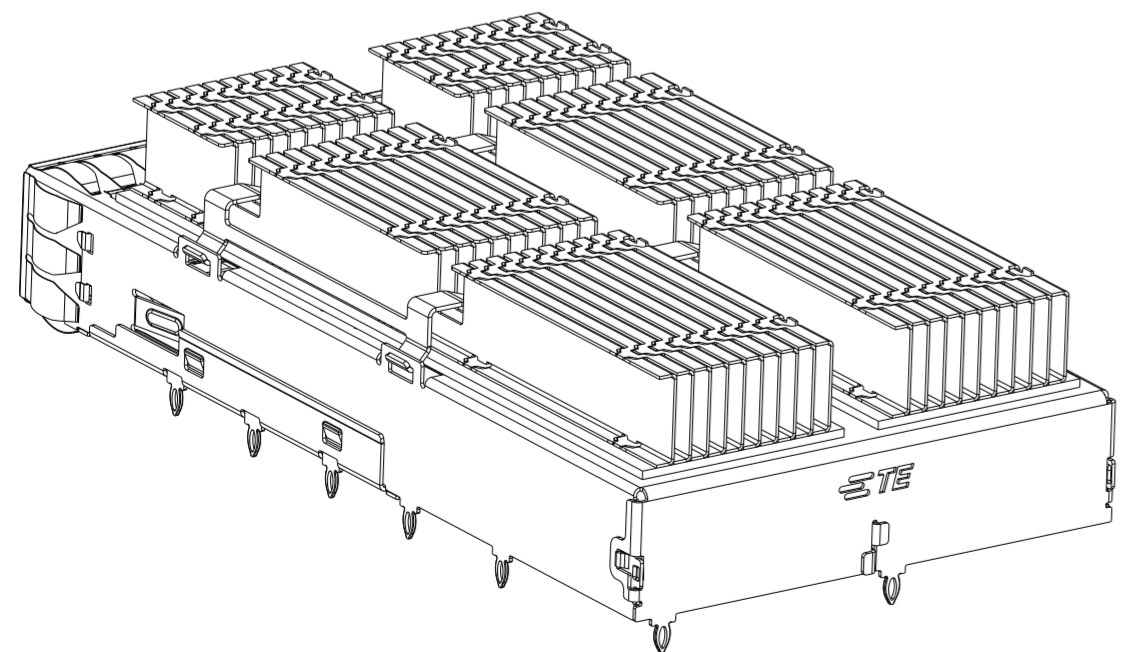
1-2342936-1 AS SHOWN
WITH PCI HEAT SINK
W/O REAR PIN
SCALE 2:1



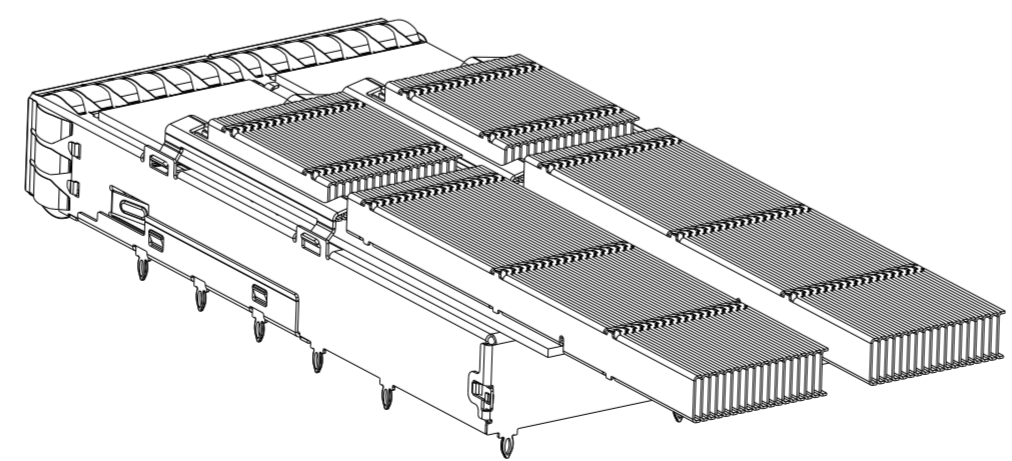
1-2342936-2 AS SHOWN
WITH SAN HEAT SINK
W/O REAR PIN
SCALE 2:1



1-2342936-3 AS SHOWN
WITH NETWORKING HEAT SINK
W/O REAR PIN
SCALE 2:1



2342936-4 SAME AS -2 EXCEPT HS
SCALE 2:1

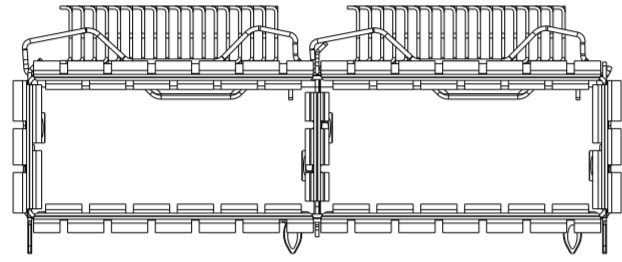


2-2342936-1 SAME AS -1 EXCEPT HS
SCALE 3:2

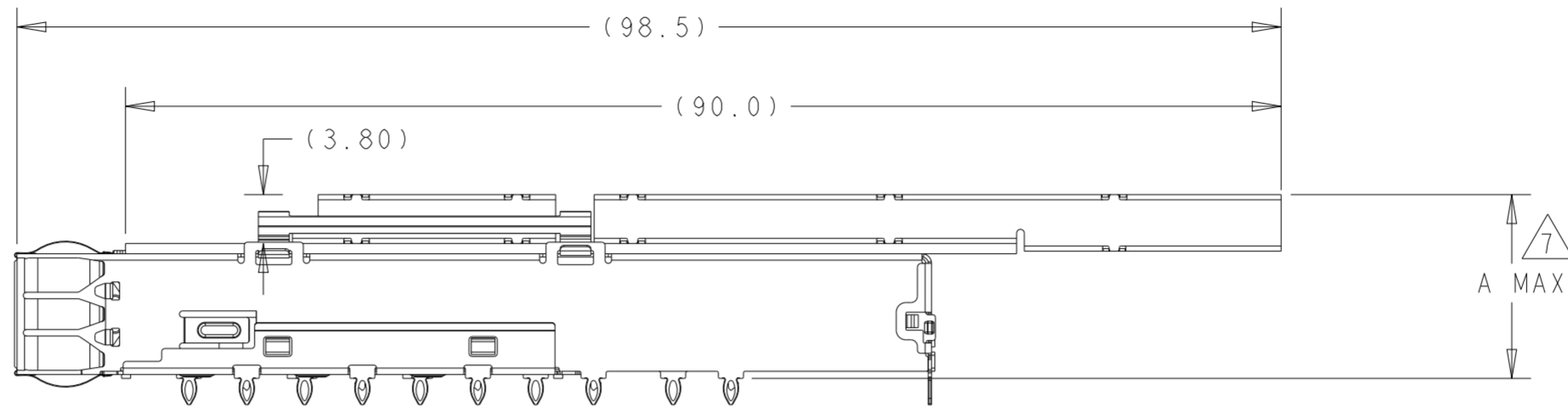
THIS DRAWING IS A CONTROLLED DOCUMENT.		DWN ARTHUR JIN 11SEP2018	TE Connectivity	
DIMENSIONS: mm		CHK SEAN HAN 11SEP2018		
TOLERANCES UNLESS OTHERWISE SPECIFIED:		APVD SEAN HAN 11SEP2018	NAME QSFP-DD, 1X2 CAGE ASSEMBLY W_ZIPPER FIN HEAT SINK W_ EMI SPRING,	
		PRODUCT SPEC 108-60122	SIZE A2	
MATERIAL SEE NOTE		APPLICATION SPEC 114-60025	DRAWING NO C-2342936	
FINISH SEE NOTE		WEIGHT -	RESTRICTED TO -	
		CUSTOMER DRAWING	SCALE 1:1 SHEET 2 OF 6 REV A3	

THIS DRAWING IS UNPUBLISHED. RELEASED FOR PUBLICATION 20
 © COPYRIGHT 20 BY - ALL RIGHTS RESERVED.

REVISIONS				
P	LTR	DESCRIPTION	DATE	APVD
-		SEE SHEET 1	-	-



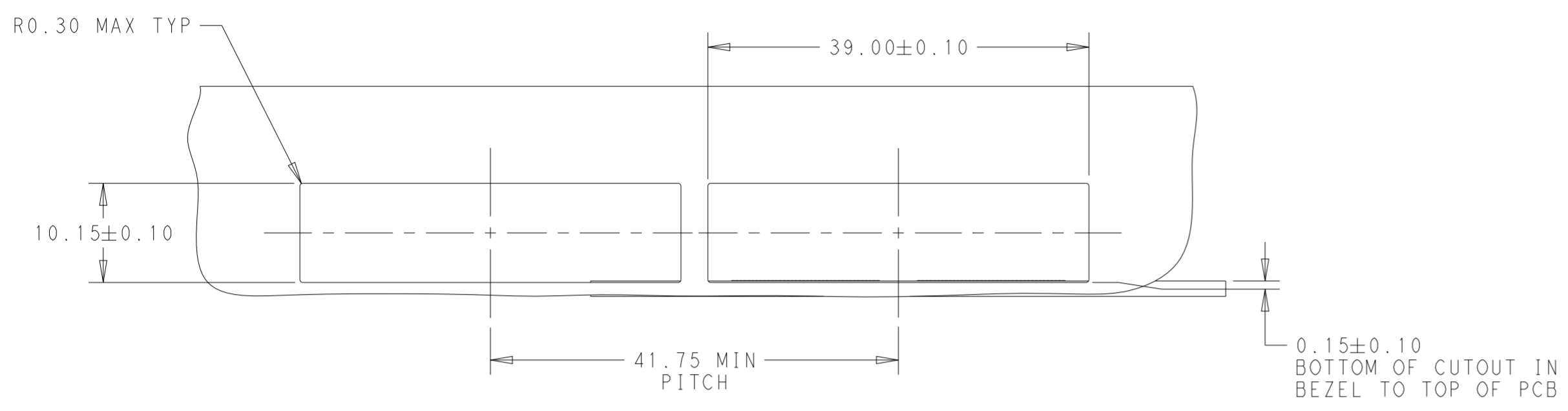
2-2342936-1 AS SHOWN
 SCALE 2:1



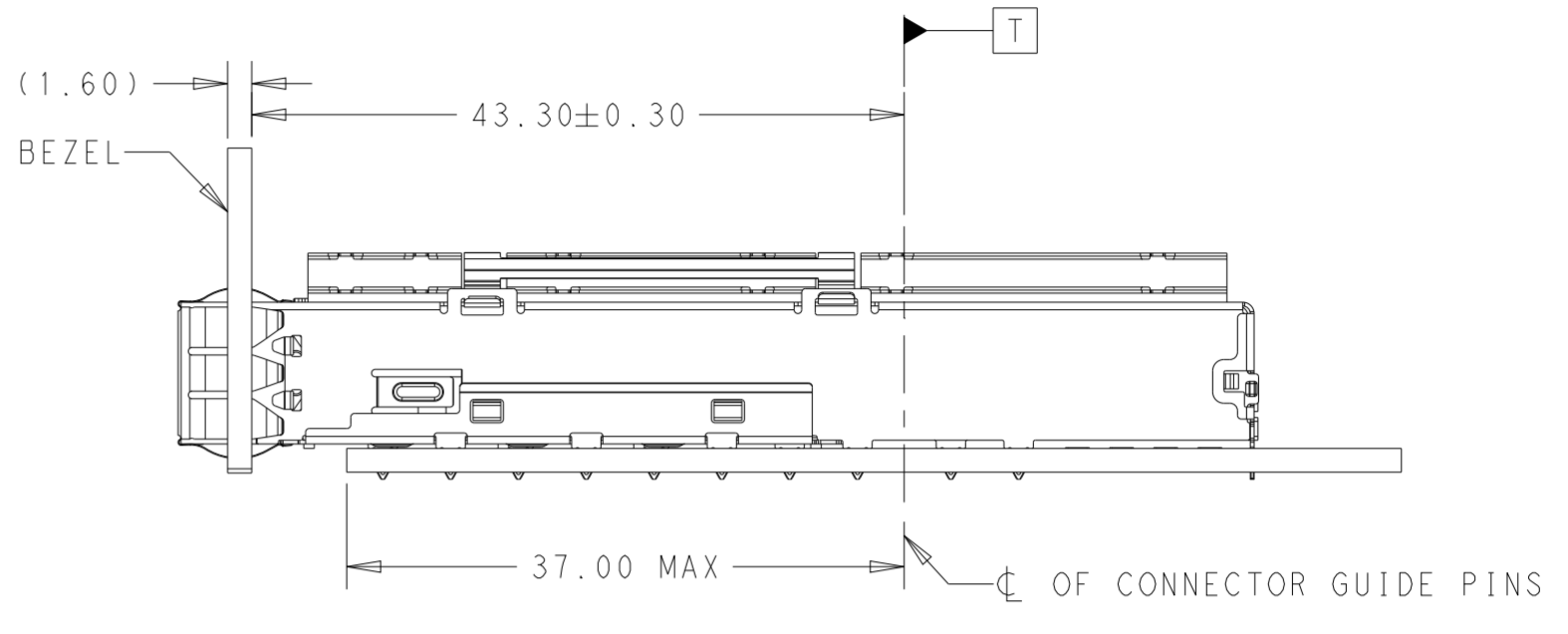
THIS DRAWING IS A CONTROLLED DOCUMENT.		DWN ARTHUR JIN 11SEP2018	TE Connectivity		
DIMENSIONS: mm		CHK SEAN HAN 11SEP2018			
TOLERANCES UNLESS OTHERWISE SPECIFIED: 0 PLC ±0.25 1 PLC ±0.25 2 PLC ±0.20 3 PLC ±0.10 4 PLC ± ANGLES ± FINISH		APVD SEAN HAN 11SEP2018	NAME QSFP-DD, 1X2 CAGE ASSEMBLY W_ZIPPER FIN HEAT SINK W_EMI SPRING,		
MATERIAL SEE NOTE		PRODUCT SPEC 108-60122	SIZE A2	CAGE CODE -	DRAWING NO C-2342936
		APPLICATION SPEC 114-60025	RESTRICTED TO -	SCALE 1:1 SHEET 3 OF 6 REV A3	
		WEIGHT -	CUSTOMER DRAWING		

THIS DRAWING IS UNPUBLISHED. RELEASED FOR PUBLICATION 20
 © COPYRIGHT 20 BY - ALL RIGHTS RESERVED.

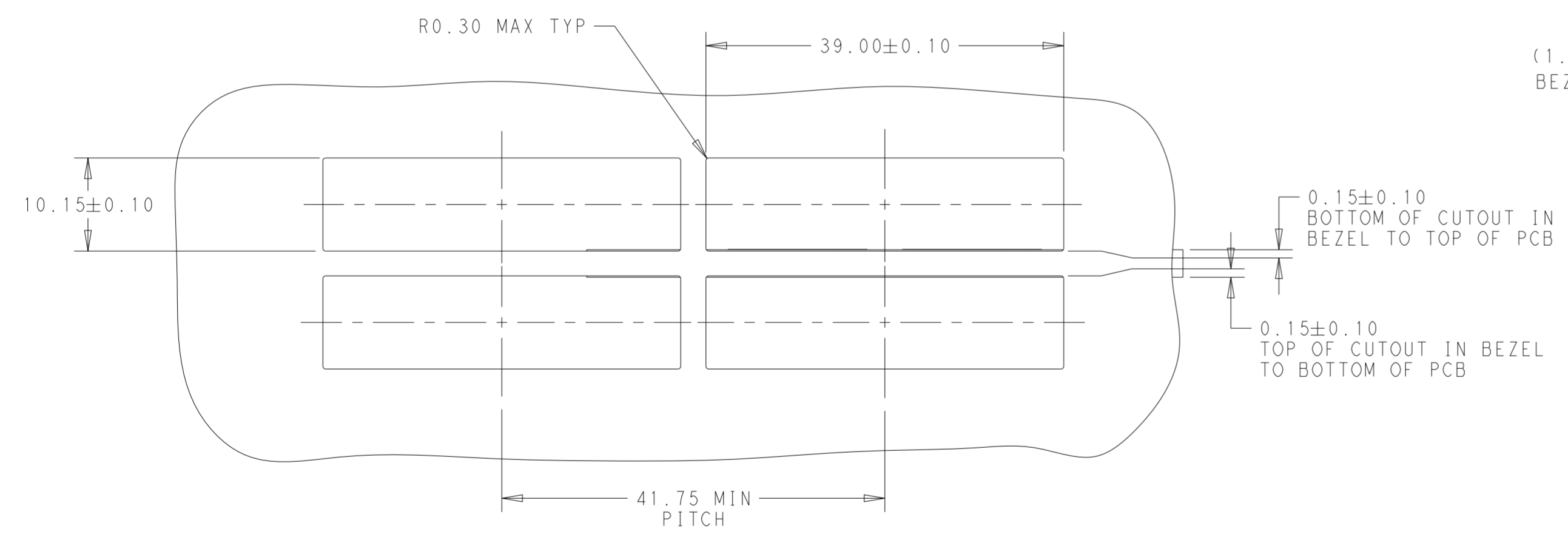
REVISIONS				
P	LTR	DESCRIPTION	DATE	APVD
-	-	SEE SHEET 1	-	-



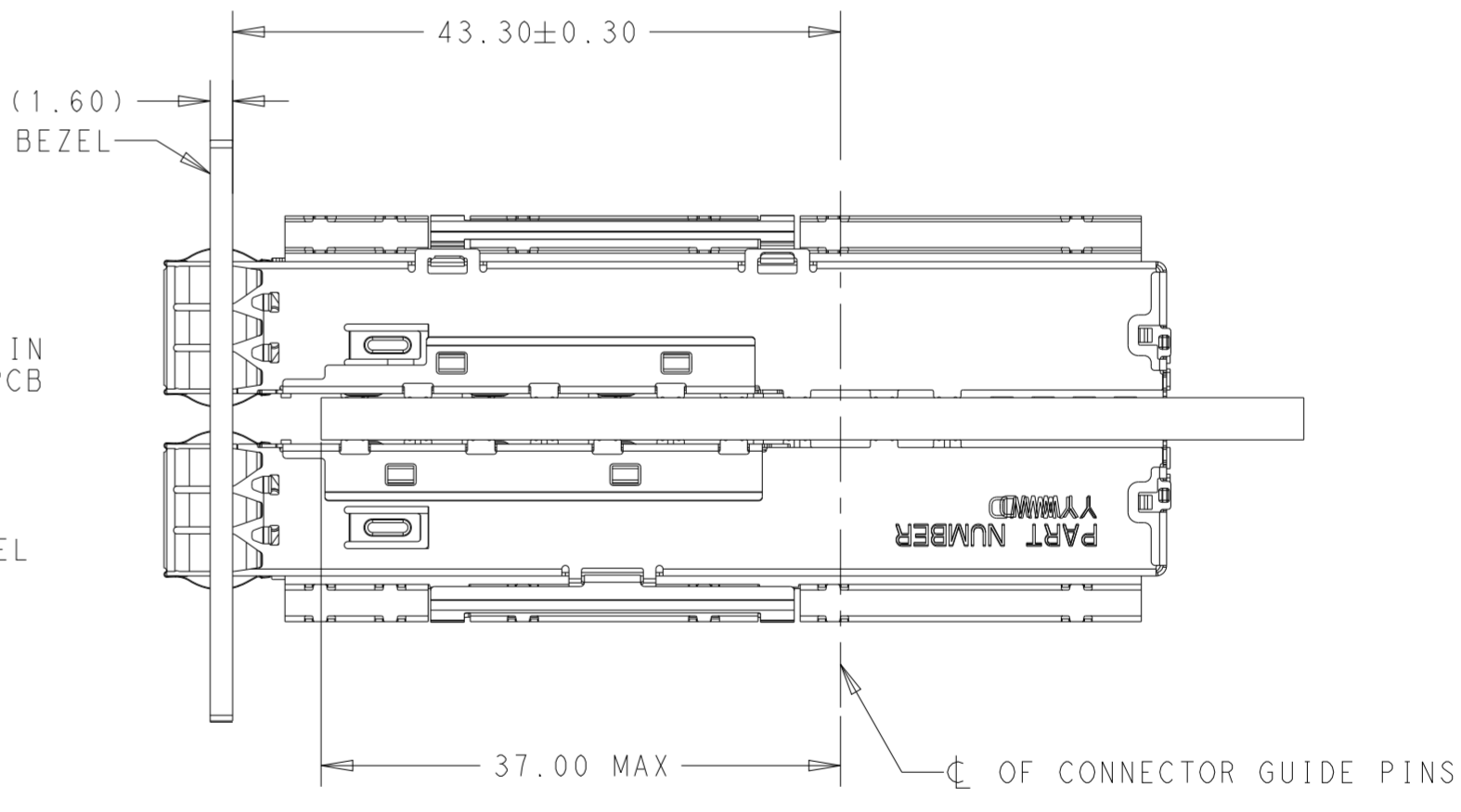
CAGE ASSEMBLY OMITTED FOR CLARITY



SINGLE SIDE MOUNTING



CAGE ASSEMBLY OMITTED FOR CLARITY

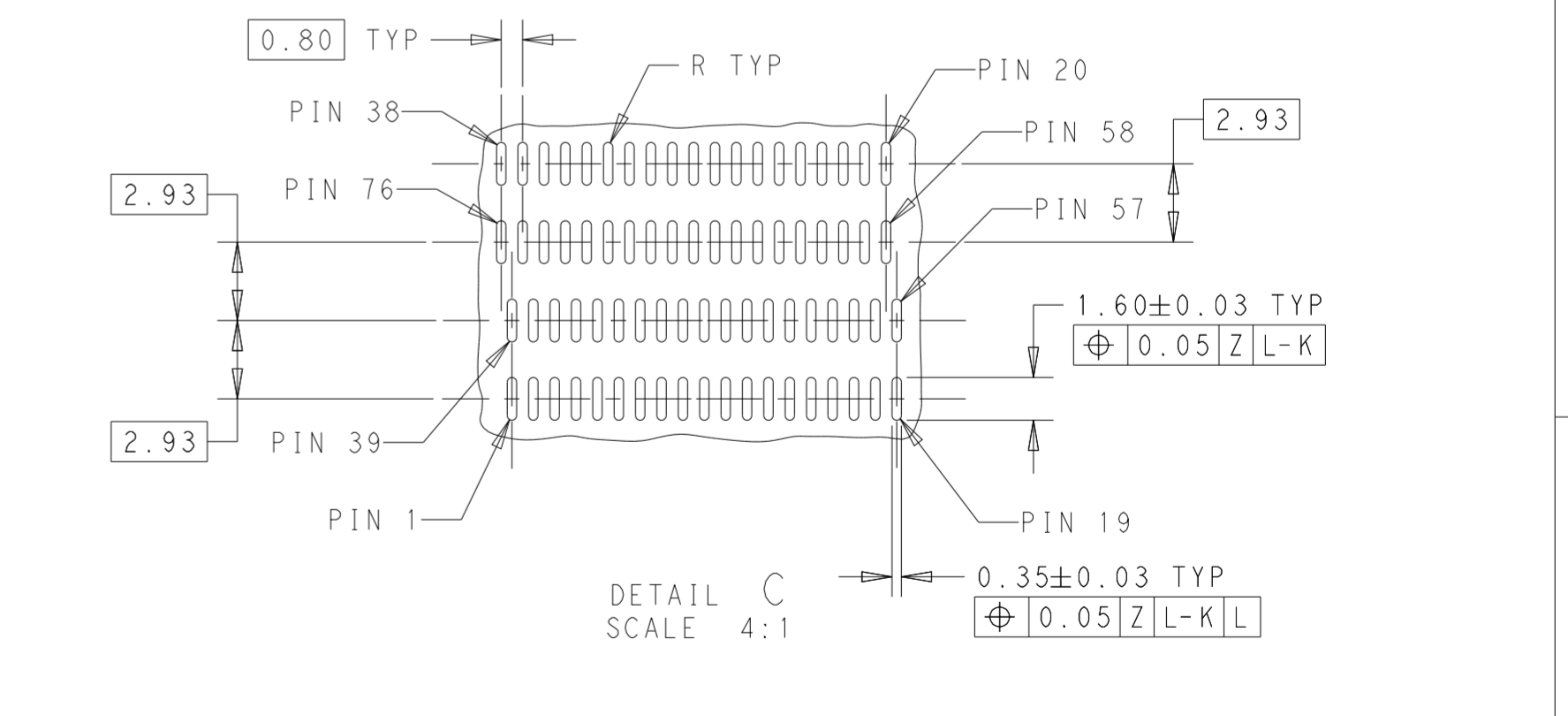
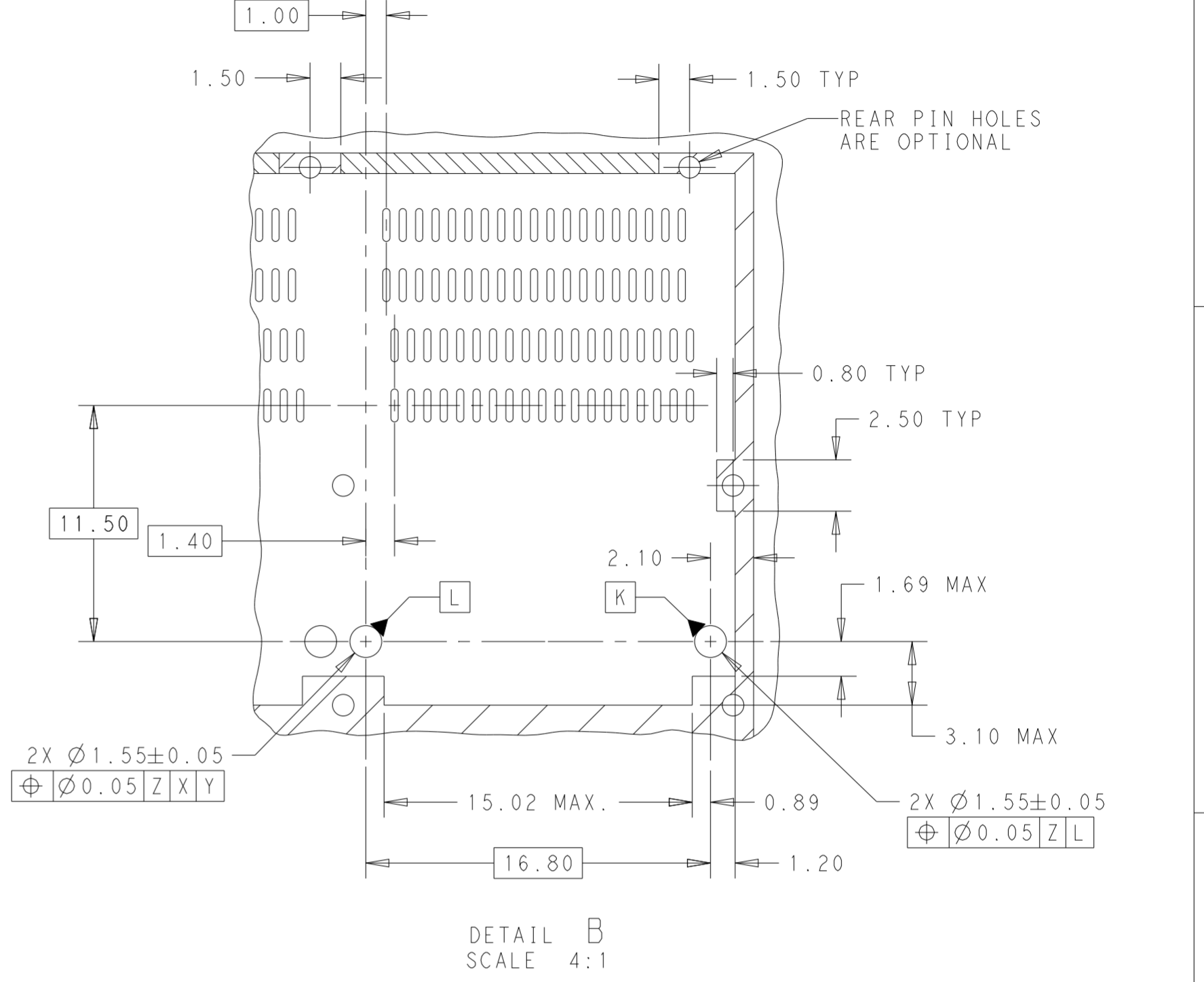
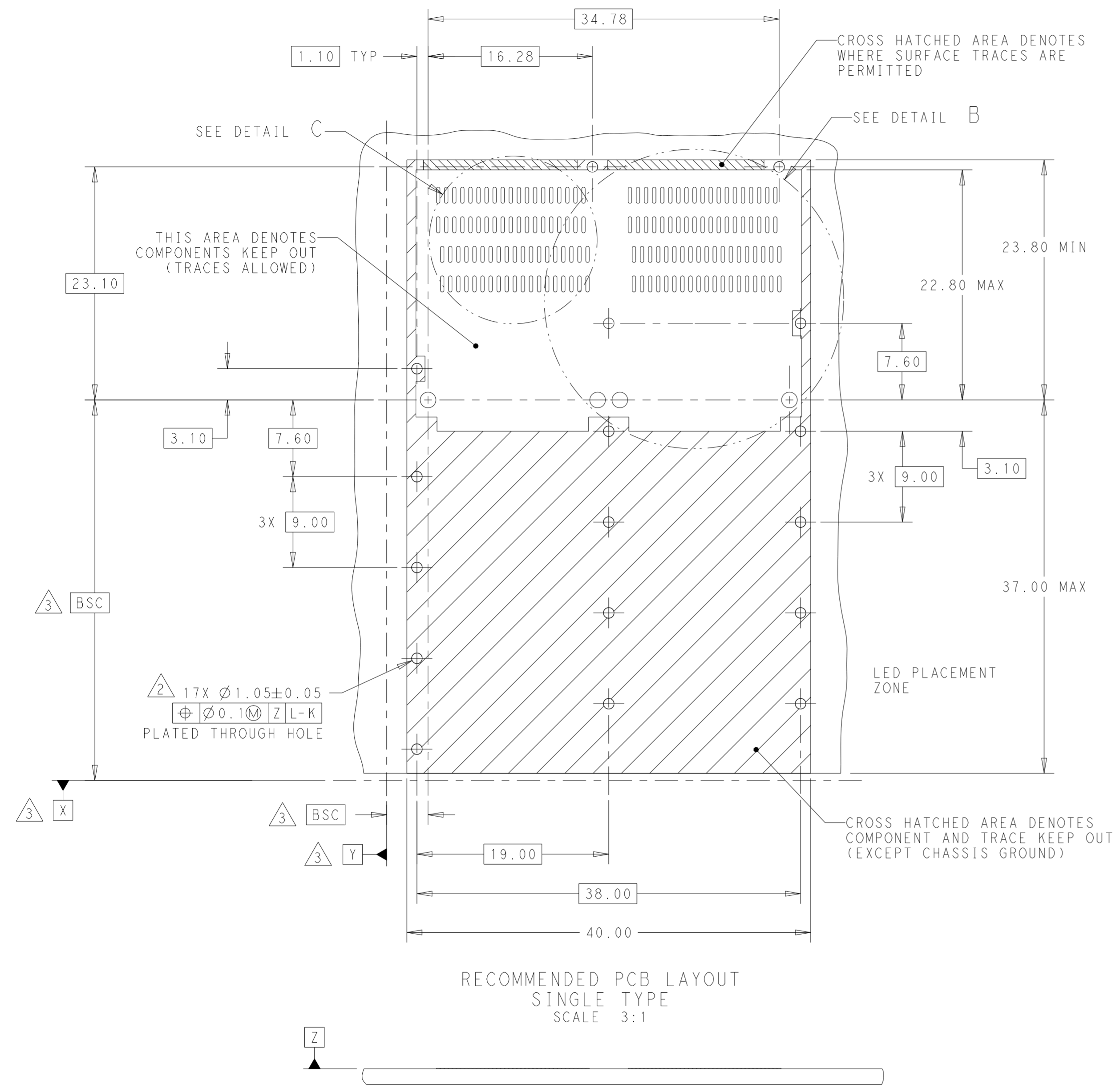


BELLY TO BELLY MOUNTING

THIS DRAWING IS A CONTROLLED DOCUMENT.		DWN ARTHUR JIN 11SEP2018	TE Connectivity	
DIMENSIONS: mm		CHK SEAN HAN 11SEP2018		
TOLERANCES UNLESS OTHERWISE SPECIFIED:		APVD SEAN HAN 11SEP2018	NAME QSFP-DD, 1X2 CAGE ASSEMBLY W_ZIPPER FIN HEAT SINK W_ EMI SPRING,	
0 PLC ±0.25	1 PLC ±0.25	PRODUCT SPEC 108-60122	SIZE A2	CAGE CODE -
2 PLC ±0.20	3 PLC ±0.10	APPLICATION SPEC 114-60025	DRAWING NO C-2342936	RESTRICTED TO -
4 PLC ±	ANGLES ±	WEIGHT -	SCALE 1:1	SHEET 4 OF 6
MATERIAL SEE NOTE	FINISH SEE NOTE	CUSTOMER DRAWING	REV A3	

THIS DRAWING IS UNPUBLISHED. RELEASED FOR PUBLICATION 20
 © COPYRIGHT 20 BY - ALL RIGHTS RESERVED.

REVISIONS					
P	LTR	DESCRIPTION	DATE	DWN	APVD
-	-	SEE SHEET 1	-	-	-



RECOMMENDED PCB LAYOUT
 SINGLE TYPE
 SCALE 3:1

CROSS HATCHED AREA DENOTES COMPONENT AND TRACE KEEP OUT (EXCEPT CHASSIS GROUND)

CROSS HATCHED AREA DENOTES WHERE SURFACE TRACES ARE PERMITTED

LED PLACEMENT ZONE

THIS AREA DENOTES COMPONENTS KEEP OUT (TRACES ALLOWED)

SEE DETAIL C

SEE DETAIL B

REAR PIN HOLES ARE OPTIONAL

2X Ø1.55±0.05 Ø0.05 Z|X|Y

Ø0.05 Z|L-K|L

Ø0.10 Z|L-K|L

17X Ø1.05±0.05 PLATED THROUGH HOLE

3X Ø0.05 Z|X|Y

3X 9.00

7.60

3.10

11.50

1.40

1.50

1.50 TYP

0.80 TYP

2.50 TYP

2.10

1.69 MAX

3.10 MAX

15.02 MAX

0.89

1.20

16.80

0.80 TYP

2.93

1.60±0.03 TYP

0.35±0.03 TYP

0.05 Z|L-K|L

0.10 Z|L-K|L

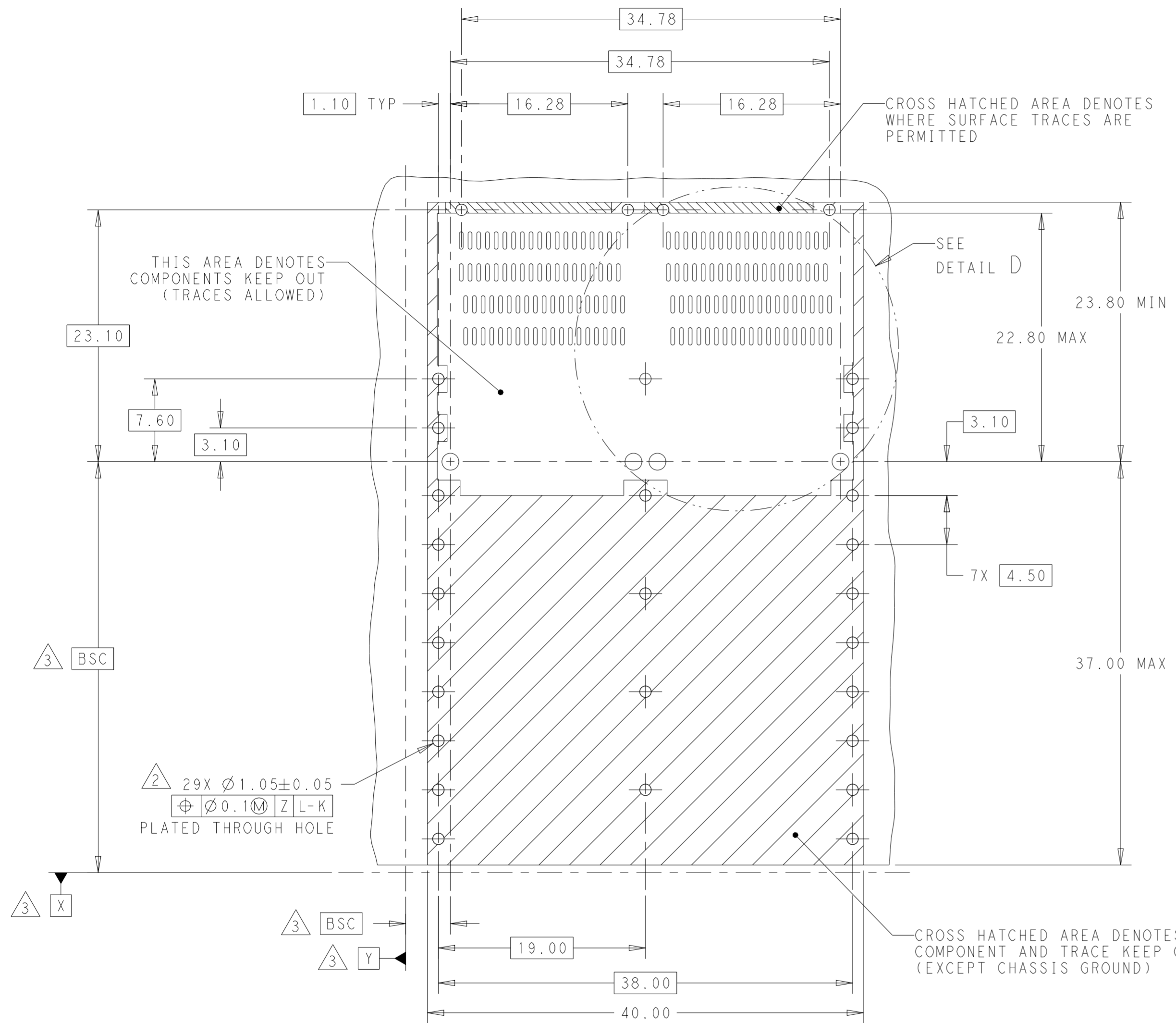
17X Ø1.05±0.05 PLATED THROUGH HOLE

3X Ø0.05 Z|X|Y

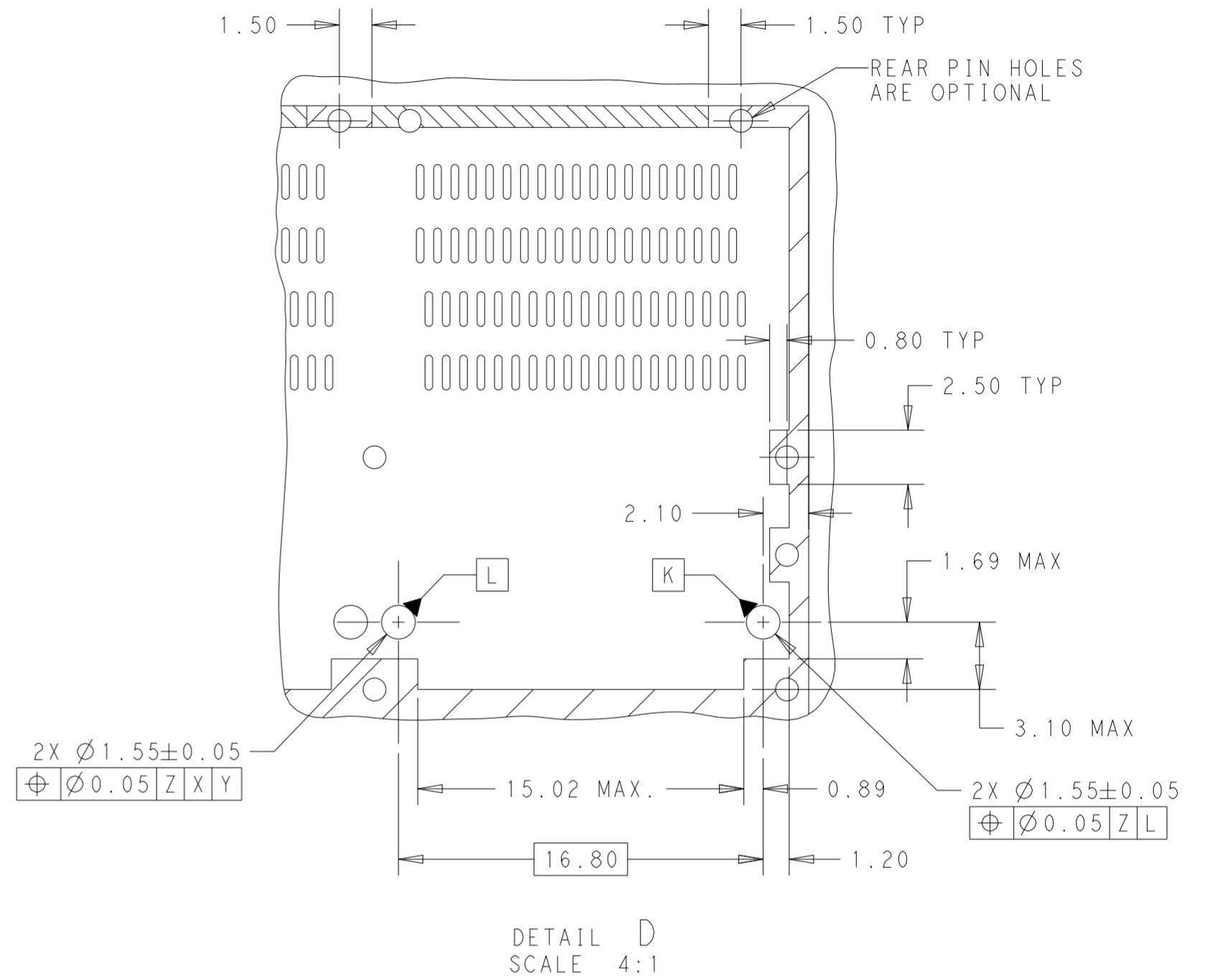
THIS DRAWING IS A CONTROLLED DOCUMENT.		DWN 11SEP2018 ARTHUR JIN	TE Connectivity		
DIMENSIONS: mm		CHK 11SEP2018 SEAN HAN			
TOLERANCES UNLESS OTHERWISE SPECIFIED:		APVD 11SEP2018 SEAN HAN	NAME QSFP-DD, 1X2 CAGE ASSEMBLY W-ZIPPER FIN HEAT SINK W-EMI SPRING,		
0 PLC ±0.25		PRODUCT SPEC 108-60122	SIZE CAGE CODE DRAWING NO RESTRICTED TO		
1 PLC ±0.25		APPLICATION SPEC 114-60025	A2 - C-2342936		
2 PLC ±0.20		WEIGHT -	SCALE 1:1 SHEET 5 OF 6 REV A3		
3 PLC ±0.10		CUSTOMER DRAWING			
4 PLC ±					
ANGLES ±					
FINISH SEE NOTE					

THIS DRAWING IS UNPUBLISHED. RELEASED FOR PUBLICATION 20
 © COPYRIGHT 20 BY - ALL RIGHTS RESERVED.

REVISIONS				
P	LTR	DESCRIPTION	DATE	APVD
-	-	SEE SHEET 1	-	-



RECOMMENDED PCB LAYOUT
 BELLY TO BELLY
 SCALE 3:1



THIS DRAWING IS A CONTROLLED DOCUMENT.		DWN 11SEP2018 ARTHUR JIN	TE Connectivity	
DIMENSIONS: mm		CHK 11SEP2018 SEAN HAN		
TOLERANCES UNLESS OTHERWISE SPECIFIED:		APVD 11SEP2018 SEAN HAN	NAME QSFP-DD, 1X2 CAGE ASSEMBLY W_ZIPPER FIN HEAT SINK W_ EMI SPRING,	
0 PLC ± 0.25	1 PLC ± 0.25	PRODUCT SPEC 108-60122	SIZE A2	CAGE CODE -
2 PLC ± 0.20	3 PLC ± 0.10	APPLICATION SPEC 114-60025	DRAWING NO C-2342936	RESTRICTED TO -
4 PLC \pm	ANGLES \pm	WEIGHT -	SCALE 1:1	SHEET 6 OF 6
MATERIAL SEE NOTE	FINISH SEE NOTE	CUSTOMER DRAWING	REV A3	