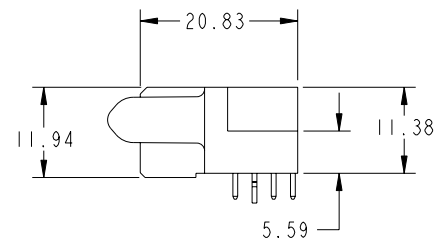
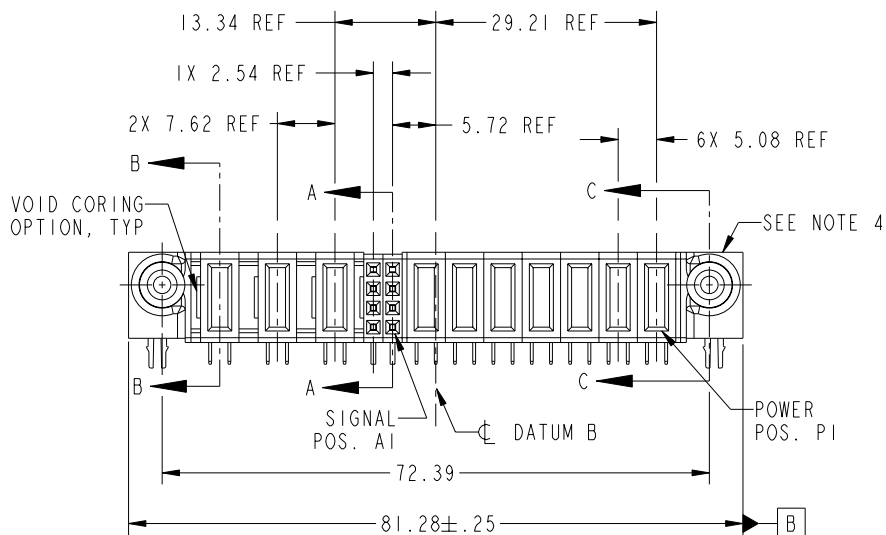
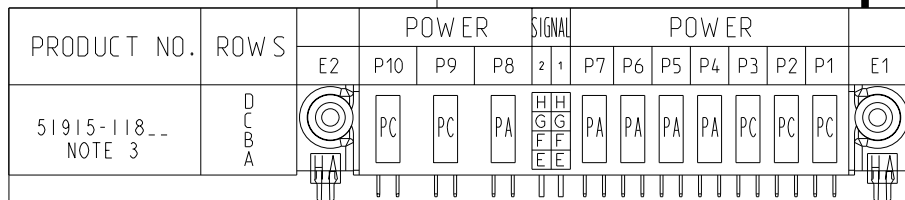


Tous droits strictement réservés. Reproduction ou communication o des tiers interdite sous quelque forme que ce soit sans autorisation écrite du propriétaire. Propriete de c FCI. Droits de reproduction FCI.



All rights strictly reserved. Reproduction or issue to third parties in any form whatever is not permitted without written authority from the proprietor. Property of FCI. Copyright FCI.



CODE	DIM "M" MATING LENGTH	CONTACT TYPE
PC	[2.34]	POWER
PA	[1.07]	POWER
H	[N/A]	SIGNAL
G	[N/A]	SIGNAL
F	[N/A]	SIGNAL
E	[N/A]	SIGNAL
HA	[N/A]	HOLD-DOWN

mat'l code SEE NOTE 2				tolerances unless otherwise specified		CUSTOMER	FCI www.fciconnect.com		
ltr	ecn no.	dr	date	linear	0.X ± 0.3	projection	COPY		
A	DG06-0415	JMG	10/10/06		0.XX ± 0.13		title		
					0.XXX ± 0.051		7P + 8S + 3ACP		
				angles	0° ± 2°	MM	RIGHT ANGLE SOLDER RECEPTACLE		
				dr	JM GUO 10/10/06		product family	PwrBlade	code
				engr	RYAN YUAN 10/10/06		size	dwg no	213
				chr	BEER FU 10/10/06	scale	A	51915-118	
				appd	JOSEPH HSIA 10/10/06				sheet
sheet index	revision sheet	A 1	A 2	A 3	A 4				

1 | 2

Pro/E

3 |

cage code 22526

4

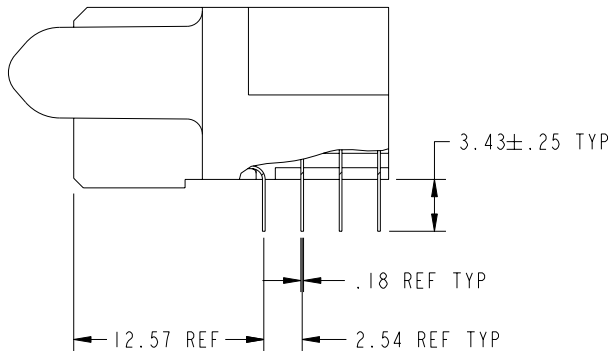
Tous droits strictement reserves. Reproduction ou communication a des tiers interdite sous quelque forme que ce soit sans autorisation ecrite du proprietaire. Propriete de c FCI. Droits de reproduction FCI.

All rights strictly reserved. Reproduction or issue to third parties in any form whatever is not permitted without written authority from the proprietor. Property of FCI. Copyright FCI.

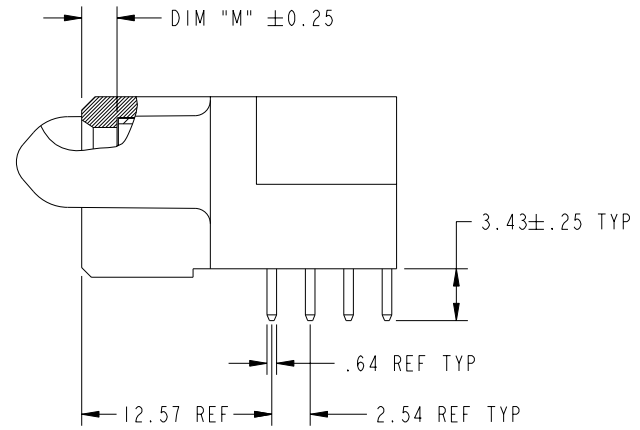


PRODUCT NUMBER

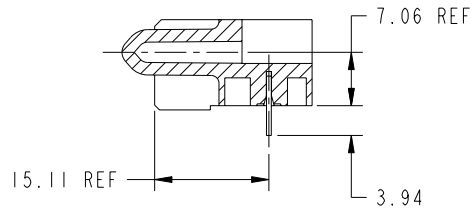
51915-118__
NOTE 3



BROKEN-OUT SECTION A-A
SCALE 2:1



BROKEN-OUT SECTION B-B
SCALE 2:1



SECTION C-C

mat'l code		SEE NOTE 2		tolerances unless otherwise specified		CUSTOMER		FCI		www.fciconnect.com	
ltr	ecr no.	dr	date	linear	0.X ± 0.3	COPY		projection		title	
A					0.XX ± 0.13	MM				7P + 8S + 3ACP RIGHT ANGLE SOLDER RECEPTACLE	
				angles	0.XXX ± 0.051	scale		product family		code	
					0° ± 2°	1:1		PwrBlade		213	
				dr	JM GUO 10/10/06			size		sheet	
				enr	RYAN YUAN 10/10/06			A		2 of 4	
				chr	BEER FU 10/10/06			51915-118			
				appd	JOSEPH HSIA 10/10/06						
sheet index		revision sheet									

cage code 22526

Pro/E

PDM: Rev:A

STATUS: Released

Printed: Dec 20, 2010

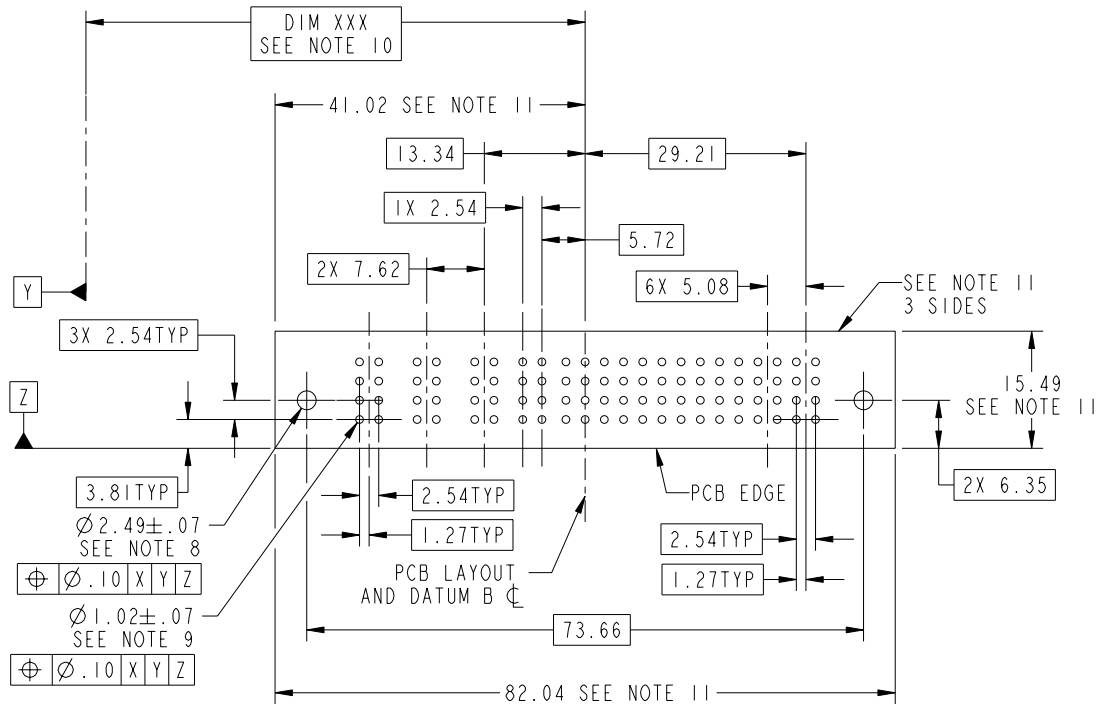
Tous droits strictement réservés. Reproduction ou communication o des tiers interdite sous quelque forme que ce soit sans autorisation écrite du propriétaire. Propriete de c FCI. Droits de reproduction FCI.



All rights strictly reserved. Reproduction or issue to third parties in any form whatever is not permitted without written authority from the proprietor. Property of FCI. Copyright FCI.

PRODUCT NUMBER

51915-118__
NOTE 3



mat'l code				SEE NOTE		tolerances unless otherwise specified		CUSTOMER		FCI www.fciconnect.com	
ltr	ecn no.	dr	date	linear		0.X ± 0.3		COPY	title		
A						0.XX ± 0.13		projection	7P + 8S + 3ACP		
				angles		0.XXX ± 0.051			RIGHT ANGLE SOLDER RECEPTACLE		
				dr	JM GUO	10/10/06		MM	product family	PwrBlade	code
				engr	RYAN YUAN	10/10/06		← MM →	size	dwg no	213
				chr	BEER FU	10/10/06		scale	A	51915-118	sheet
				appd	JOSEPH HSIA	10/10/06		1:1			3 of 4
sheet index	revision sheet										

cage code 22526

Pro/E

PDM: Rev:A

STATUS: Released

Printed: Dec 20, 2010

Tous droits strictement reserves. Reproduction ou communication o des tiers interdite sous quelque forme que ce soit sans autorisation ecrite du propriétaire. Propriete de c FCI. Droits de reproduction FCI.



All rights strictly reserved. Reproduction or issue to third parties in any form whatever is not permitted without written authority from the proprietor. Property of FCI. Copyright FCI.

PRODUCT NUMBER

51915-118__
NOTE 3

NOTES:

1. DIMENSIONS AND TOLERANCES ARE IN ACCORDANCE WITH ASME Y14.5M, 1994 UNLESS OTHERWISE SPECIFIED.

CONNECTOR NOTES:

- 2. HOUSING MATERIAL: UL 94 V-0 GLASS FILLED
HIGH-TEMP THERMOPLASTIC
POWER CONTACT MATERIAL: COPPER ALLOY
SIGNAL PIN MATERIAL: COPPER ALLOY
- 3. PLATING:
51915-118, 51915-118LF PLATING SPEC. WAS SHOWN IN THE PRINT OF 10064183.
- 4. MANUFACTURER'S NAME, P/N, AND DATE CODE TO APPEAR ON THIS SURFACE.
- 5. PRODUCT SPECIFICATION GS-12-149.
APPLICATION SPECIFICATION BUS-20-067.
- 6. PACKAGED IN TRAYS.

PCB NOTES:

- 7. ALL HOLE DIAMETERS ARE FINISHED HOLE SIZE.
- 8. MOUNTING HOLES, WHERE APPLICABLE, ARE UNPLATED.
- 9. $\varnothing 1.151 \pm 0.025$ DRILLED HOLES PLATED WITH 0.008 MIN SnPb OR Sn OVER 0.03 TO 0.08 Cu PLATING TO ACHIEVE $\varnothing 1.02 \pm .07$ HOLE.
- 10. "DIM XXX" TO BE DETERMINED BY THE CUSTOMER.
- 11. CONNECTOR KEEP-OUT ZONE.

mat'l code		SEE NOTE 2		tolerances unless otherwise specified		CUSTOMER		FCI		www.fciconnect.com	
ltr	ecn no.	dr	date	linear	0.X ± 0.3	COPY		title 7P + 8S + 3ACP RIGHT ANGLE SOLDER RECEPTACLE			
A				projection	0.XX ± 0.13						
				angles	0.XXX ± 0.051			product family PwrBlade code 213			
				dr	0° ± 2°						
				enr	JM GUO 10/10/06	MM		size		4 of 4	
				chr	RYAN YUAN 10/10/06	← MM →		dwg no		213	
				appd	BEER FU 10/10/06	scale		A		51915-118	
					JOSEPH HSIA 10/10/06	1:1		cage code 22526			
sheet index	revision sheet										

Pro/E

cage code 22526

PDM: Rev:A

STATUS: Released

Printed: Dec 20, 2010