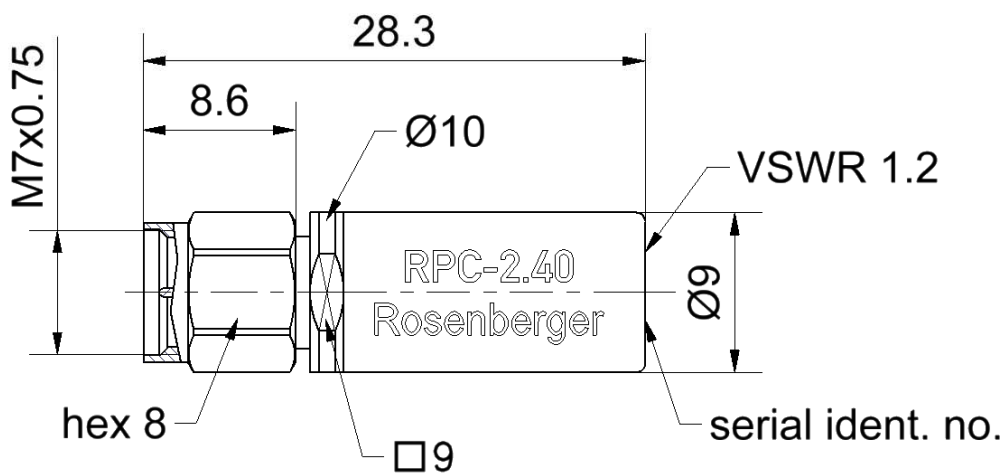


RPC-2.40

Mismatch Plug

09S150-060S3



All dimensions are in mm; tolerances according to ISO 2768 m-H

**Interface**

According to IEC 61169-40  
Mechanically compatible with RPC-1.85

**Documents**

Application note AN001 "Calibration Services"

**Material and plating**

**Connector parts**

	Material	Plating
Center contact	Beryllium copper	Gold, min. 1.27 µm, over nickel
Outer contact	Stainless steel	Passivated
Coupling nut	Stainless steel	Passivated
Dielectric	PS	
Substrate	Al <sub>2</sub> O <sub>3</sub>	

Dieses Dokument ist urheberrechtlich geschützt • This document is protected by copyright • Rosenberger Hochfrequenztechnik GmbH & Co. KG

RF\_35/09;14/6.2

**Electrical data**

Frequency	DC to 50 GHz
Return loss	≥ 1.2 ± 0.08, DC to 20 GHz ≥ 1.2 ± 0.13, 20 GHz to 50 GHz
DC Resistance	60 Ω ± 0.30 Ω
Power handling (at 25 °C, sea level)	≤ 0.5 W, derated linearity by 0.005 W/K

**Mechanical data**

Mating cycles	≥ 500
Maximum torque	1.65 Nm
Recommended torque	0.90 Nm
Gauge	0.00 mm to 0.03 mm

**Environmental data**

Operating temperature range <sup>1</sup>	+20 °C to +26 °C
Rated temperature range of use <sup>2</sup>	0 °C to +50 °C
Storage temperature range	- 40 °C to +85 °C

RoHS compliant

<sup>1</sup> Temperature range over which these specification are valid.

<sup>2</sup> This range is underneath and above the operating temperature range, within the mismatch is fully functional and could be used without damage.

**Declaration of calibration options**

**Factory Calibration**

Standard delivery for this calibration standard includes a Factory Calibration. The Calibration Certificate issued reports individual calibration results, traceable to national / international standards.

**Accredited Calibration**

Not available.

For further, more detailed information see application note AN001 on the Rosenberger homepage.

**Calibration interval**

Recommendation 12 months

**Packing**

Standard 1 pce in box  
Weight 6.7 g/pce

While the information has been carefully compiled to the best of our knowledge, nothing is intended as representation or warranty on our part and no statement herein shall be construed as recommendation to infringe existing patents. In the effort to improve our products, we reserve the right to make changes judged to be necessary.

Draft	Date	Approved	Date	Rev.	Engineering change number	Name	Date
Marion Striegler	19.08.14	Lars Ramtke	08.10.19	d00	19-1910	Marion Striegler	08.10.19
Rosenberger Hochfrequenztechnik GmbH & Co. KG P.O.Box 1260 D-84526 Tittmoning Germany www.rosenberger.de					Tel. : +49 8684 18-0 Email : info@rosenberger.de		Page 2 / 2