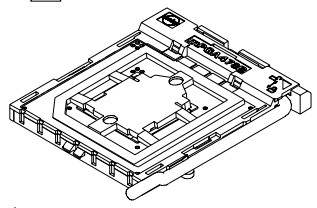
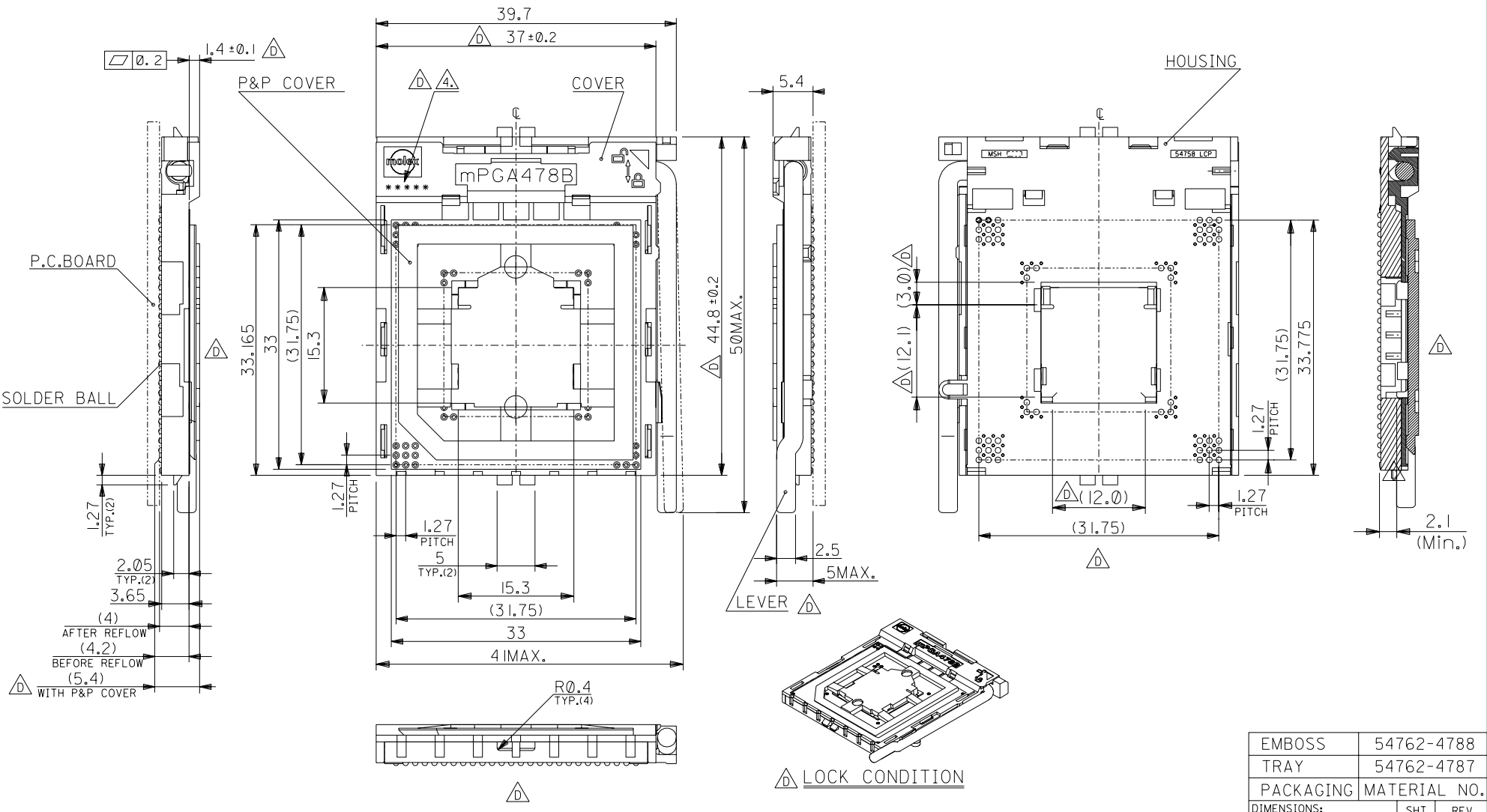


DWG. NO. SD-54762-012



LOCK CONDITION

DO NOT SCALE DRAWING

REV	DESCRIPTION	MATERIAL 材料	FINISH 仕上り	WIRE RANGE 適用層被範圍	INS. RANGE 被覆外径
D	REVISED EC NO. J2002-0158 DRWN: ERIC KAO 02/01/07 CHK: HIRATA 01/11/05 APPR: MSASAO 01/11/05				
C	REVISED EC NO. J2002-1110 DRWN: THIRAYAMA 01/11/05 CHK: HIRATA 01/11/05 APPR: MSASAO 01/11/05				
B	REVISED EC NO. J2002-0621 DRWN: THIRAYAMA 01/09/17 CHK: HIRATA 01/09/17 APPR: MSASAO 01/09/17				
A	REVISED EC NO. J2002-0528 DRWN: THIRAYAMA 01/09/06 CHK: HIRATA 01/09/06 APPR: MSASAO 01/09/06				
0	REVISED EC NO. J2002-0095 DRWN: THIRAYAMA 01/07/17 CHK: HIRATA 01/07/17 APPR: MSASAO 01/07/17				

GENERAL TOLERANCES: (UNLESS SPECIFIED) 一般公差	
10 UNDER 未満	±0.2
10 OVER 30 UNDER 以上 未満	±0.25
30 OVER 以上	±0.3
ANGLE 角度	±3°

SCALE	DESIGN UNITS
2 - 1	<input checked="" type="checkbox"/> mm <input type="checkbox"/> INCH
DRAWN BY & DATE Eric Kao 02/02/22	
CHECKED BY & DATE Wilson Chang 02/02/22	
APPROVED BY & DATE Erick Lan 02/02/22	
CAD FILENAME	54762012.S01

THIRD ANGLE PROJECTION		TITLE:	
<input type="checkbox"/> mm INCH	<input type="checkbox"/> INCH mm	mPGA478 SOCKET HOUSING ASS'Y	
<input checked="" type="checkbox"/> mm ONLY		MATERIAL NO. SEE CHART	
		DRAWING NO. SD-54762-012	SHEET NO. 1 OF 2
THIS DRAWING CONTAINS INFORMATION THAT IS PROPRIETARY TO MOLEX INCORPORATED AND SHOULD NOT BE USED WITHOUT WRITTEN PERMISSION.			SIZE B

EMBOSS	54762-4788
TRAY	54762-4787
PACKAGING DIMENSIONS:	MATERIAL NO.
SHT	REV
REVISION ON CAD ONLY	

