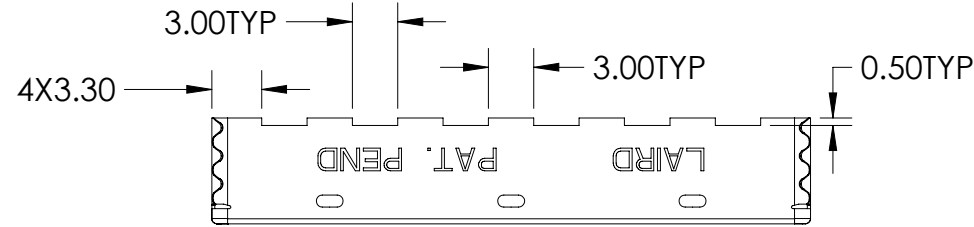
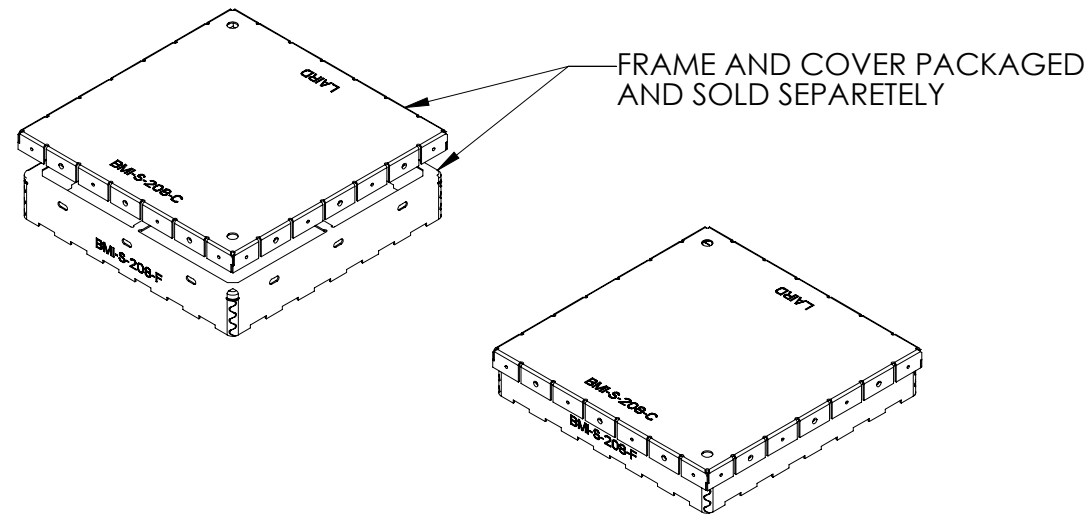
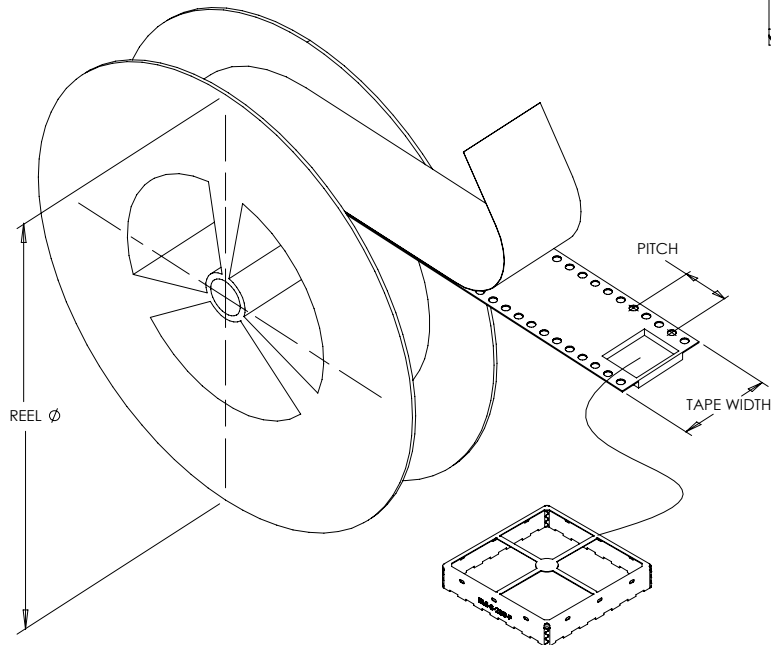
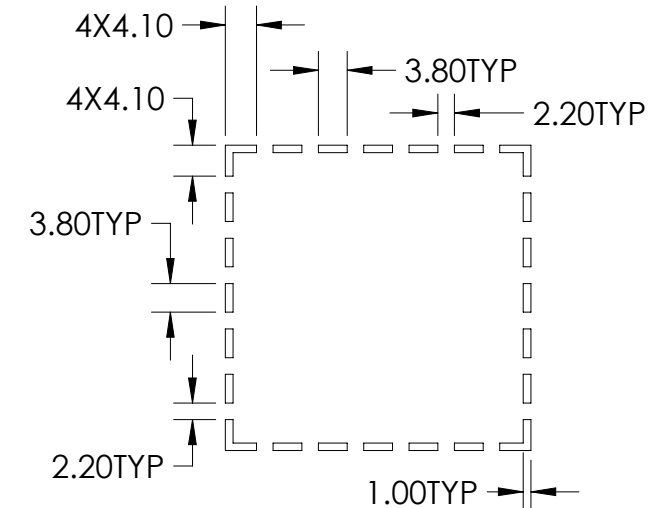
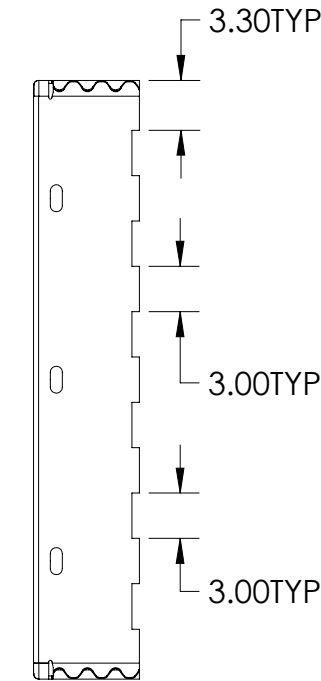
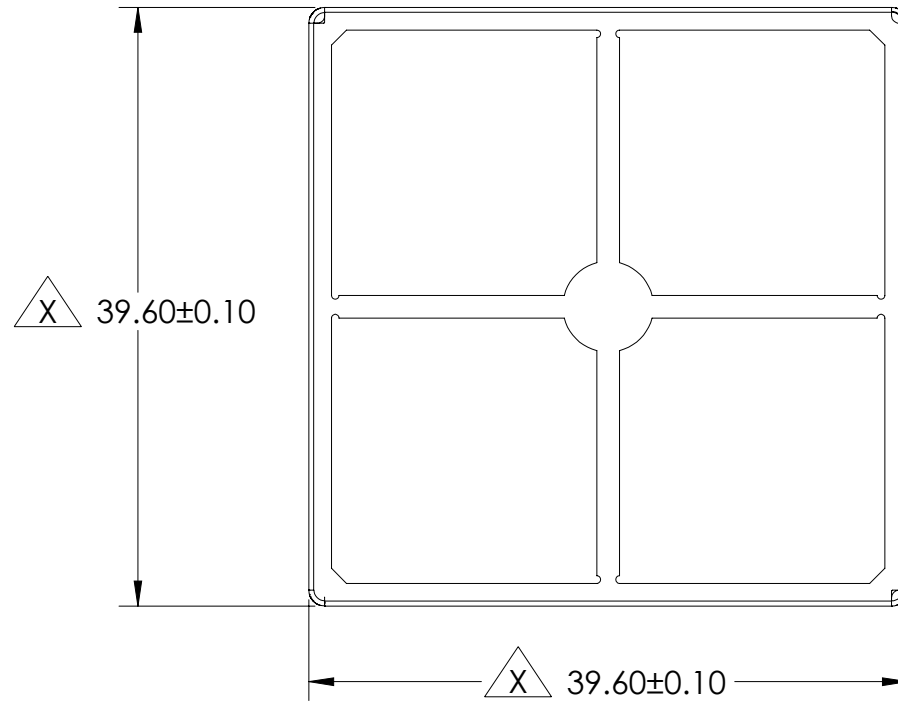
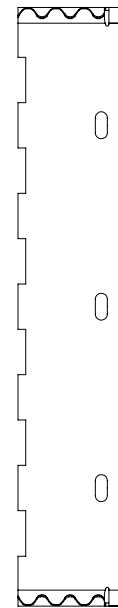
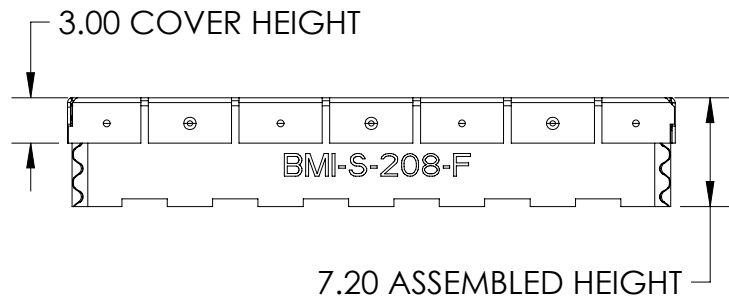


FUNCTION	PART NUMBER	MATERIAL/FINISH	PACKAGING			
FRAME	BMI-S-208-F	.20MM 1008/1010 PRE-PLATED COLD ROLLED STEEL 1/2 HARD 1.25-5.00 MICRONS 100% MATTE TIN	TAPE AND REEL			
			REEL DIAMETER	TAPE WIDTH	PITCH	QUANTITY
COVER	BMI-S-208-C	.20MM 1008/1010 PRE-PLATED COLD ROLLED STEEL 1/2 HARD 1.25-5.00 MICRONS 100% MATTE TIN	381MM	56MM	48MM	150
			BULK PACK			



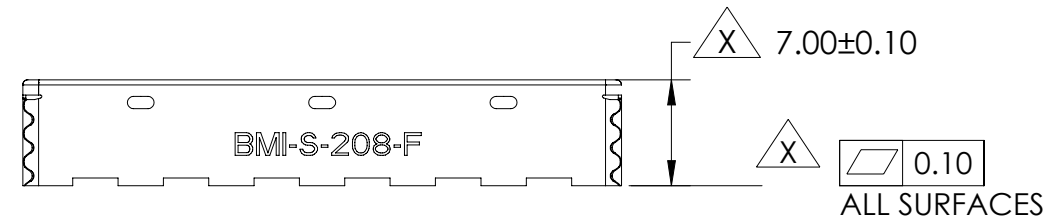
NOTES:

1. OTHER MATERIAL OPTIONS MAY BE AVAILABLE, CONSULT SALES
2. OTHER PACKAGING OPTIONS MAY BE AVAILABLE, CONSULT SALES



PART MARKING ON SIDES IS NOT INTENDED TO BE RELEVANT TO PART ORIENTATION IN CARRIER TAPE.

CRITICAL DIMENSIONS ARE DESIGNATED BY X



US PATENT 7488902

	PART DESCRIPTION: BOARD LEVEL SHIELD		LAIRD PART NUMBER: <b>BMI-S-208-SALES</b>	
	CUSTOMER: LAIRD CATALOG			
3RD ANGLE PROJECTION		PROGRAM NAME: STANDARDS	MODEL BY: AT	DATE: 07/15/20
DESIGNED IN SOLIDWORKS	SIZE B	CUSTOMER PART NUMBER: N/A	APPROVED BY: X	DATE: XX/XX/XXXX
SCALE: 2:1	SHEET 1 OF 1	INFORMATION CONTAINED IN THIS DOCUMENT IS CONFIDENTIAL AND PROPRIETARY TO LAIRD TECHNOLOGIES. IT MAY NOT BE DISCLOSED TO ANYONE WITHOUT WRITTEN AUTHORIZATION FROM LAIRD TECHNOLOGIES		

SALES