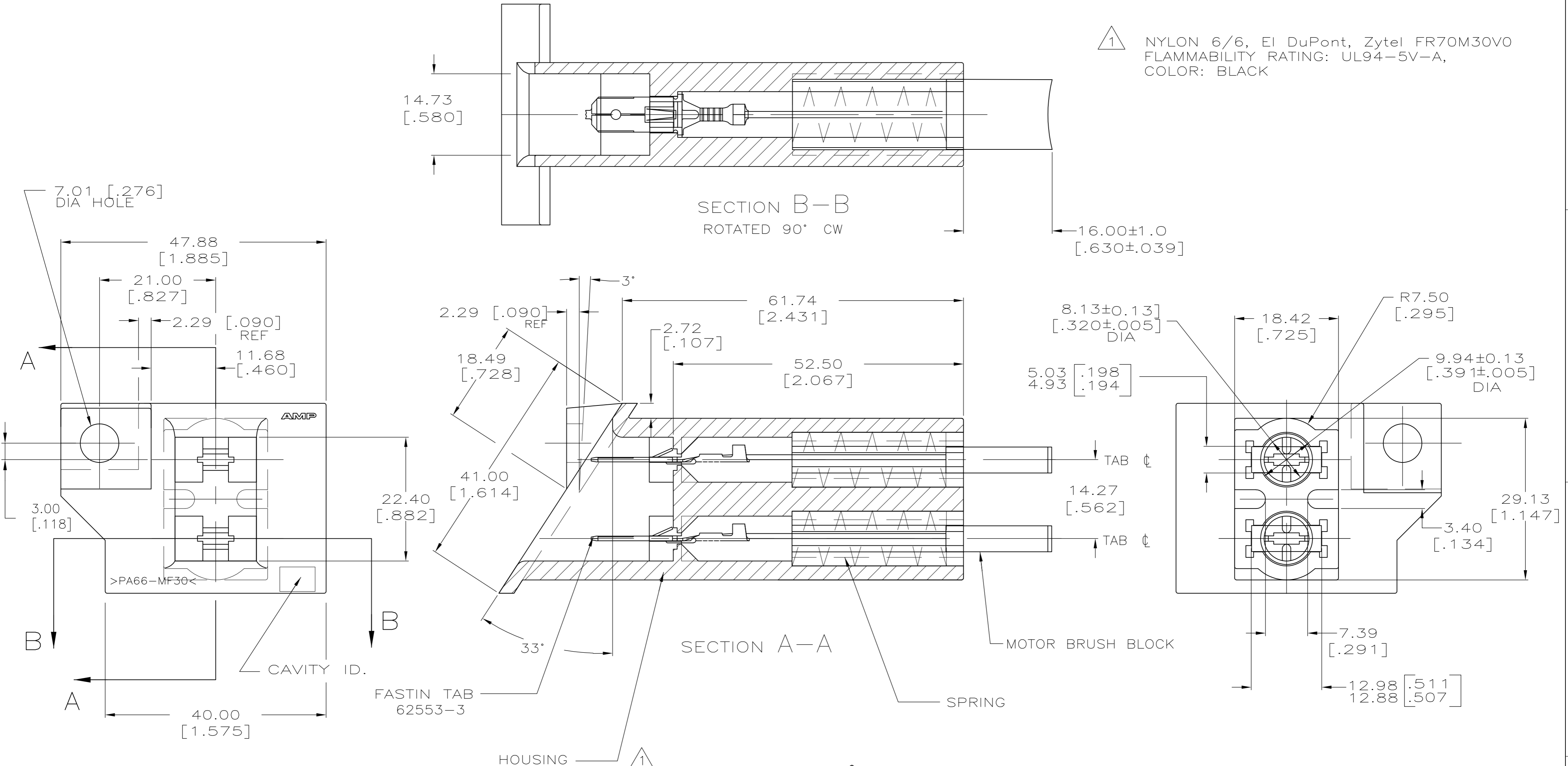


THIS DRAWING IS UNPUBLISHED. RELEASED FOR PUBLICATION
 © COPYRIGHT BY TYCO ELECTRONICS CORPORATION. ALL RIGHTS RESERVED.

| LOC | | DIST | | REVISIONS | | | |
|-----|-----|-------------|---------------------------|-----------|------|----|--|
| P | LTR | DESCRIPTION | DATE | DWN | APVD | | |
| AF | 50 | F1 | REVISED PER ECR-08-006152 | 11MAR08 | HMR | PD | |



521222-1
 PART NO.

| | | | | | | |
|---|--|------------------|------------------------|---------|---|----------|
| THIS DRAWING IS A CONTROLLED DOCUMENT. | | DWN | JR RUTH | 31AUG99 | Tyco Electronics Corporation Harrisburg, PA 17105-3608 | |
| DIMENSIONS: mm [INCHES] | | CHK | MS FEHER | 31AUG99 | | |
| TOLERANCES UNLESS OTHERWISE SPECIFIED: | | APVD | J HUMMEL | 31AUG99 | | |
| 0 PLC ± - 1 PLC ± - 2 PLC ± 0.25 [.010] 3 PLC ± - 4 PLC ± - ANGLES ± - FINISH - | | NAME | ASSEMBLY, BRUSH, MOTOR | | | |
| MATERIAL | | PRODUCT SPEC | - | | SIZE | A2 |
| - | | APPLICATION SPEC | - | | CAGE CODE | 00779 |
| - | | WEIGHT | - | | DRAWING NO | C=521222 |
| - | | CUSTOMER DRAWING | - | | RESTRICTED TO | - |
| - | | SCALE | 2:1 | | SHEET | 1 OF 1 |
| - | | REV | F1 | | | |