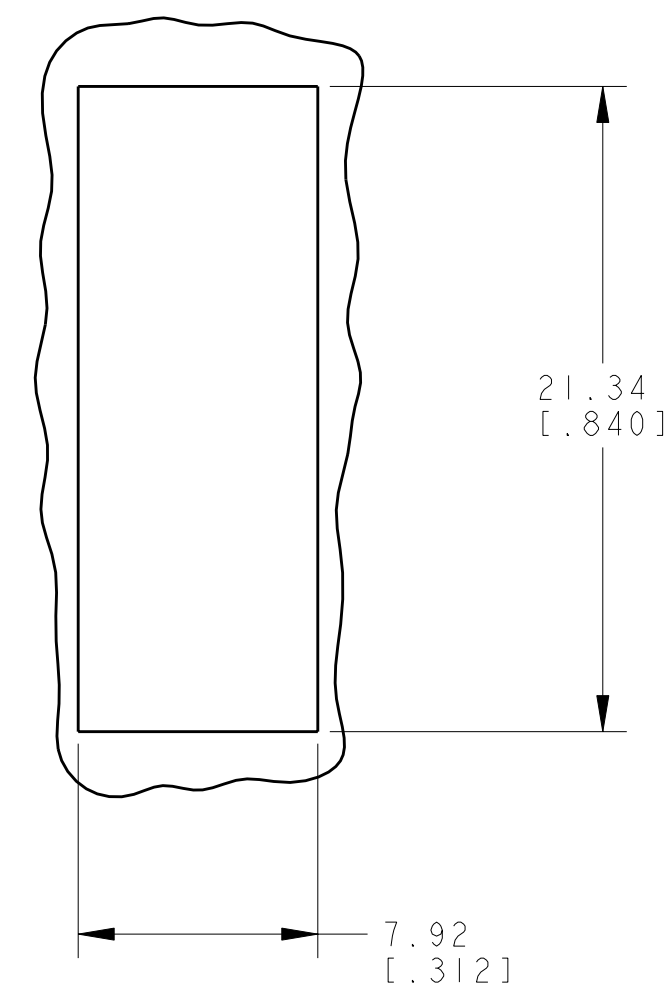
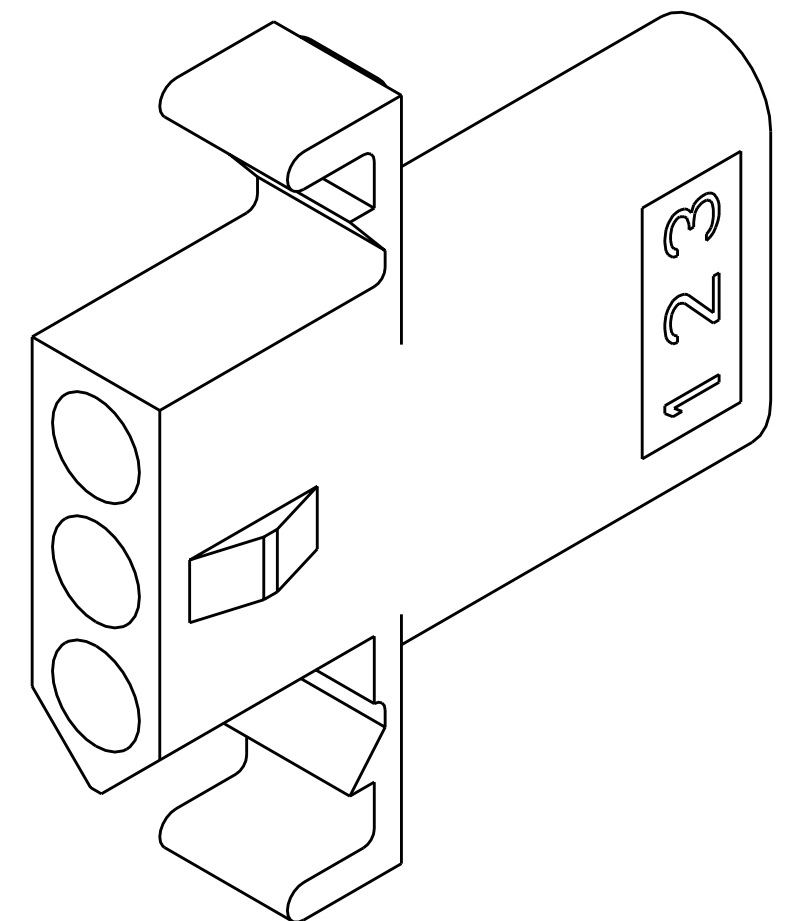
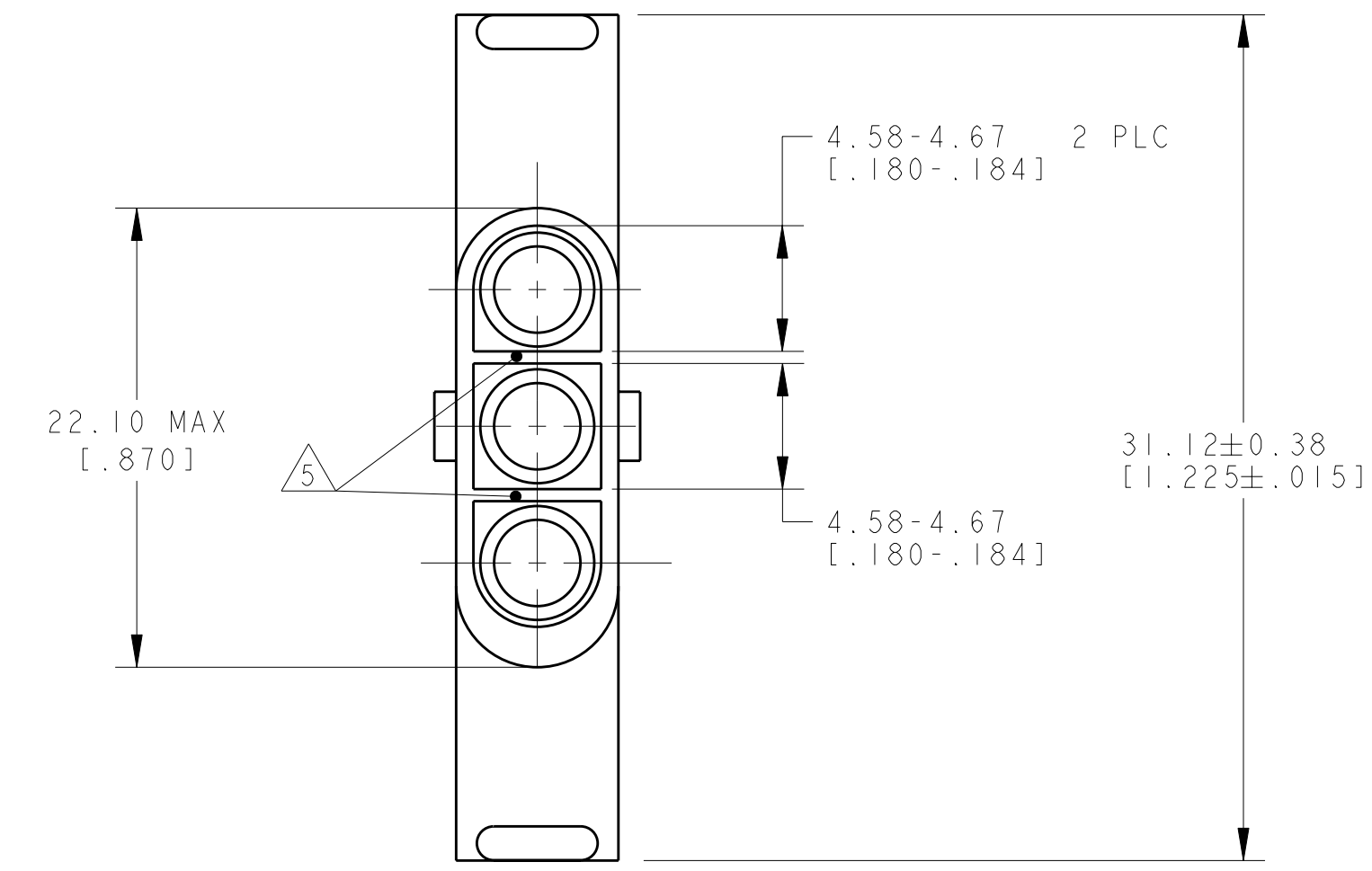
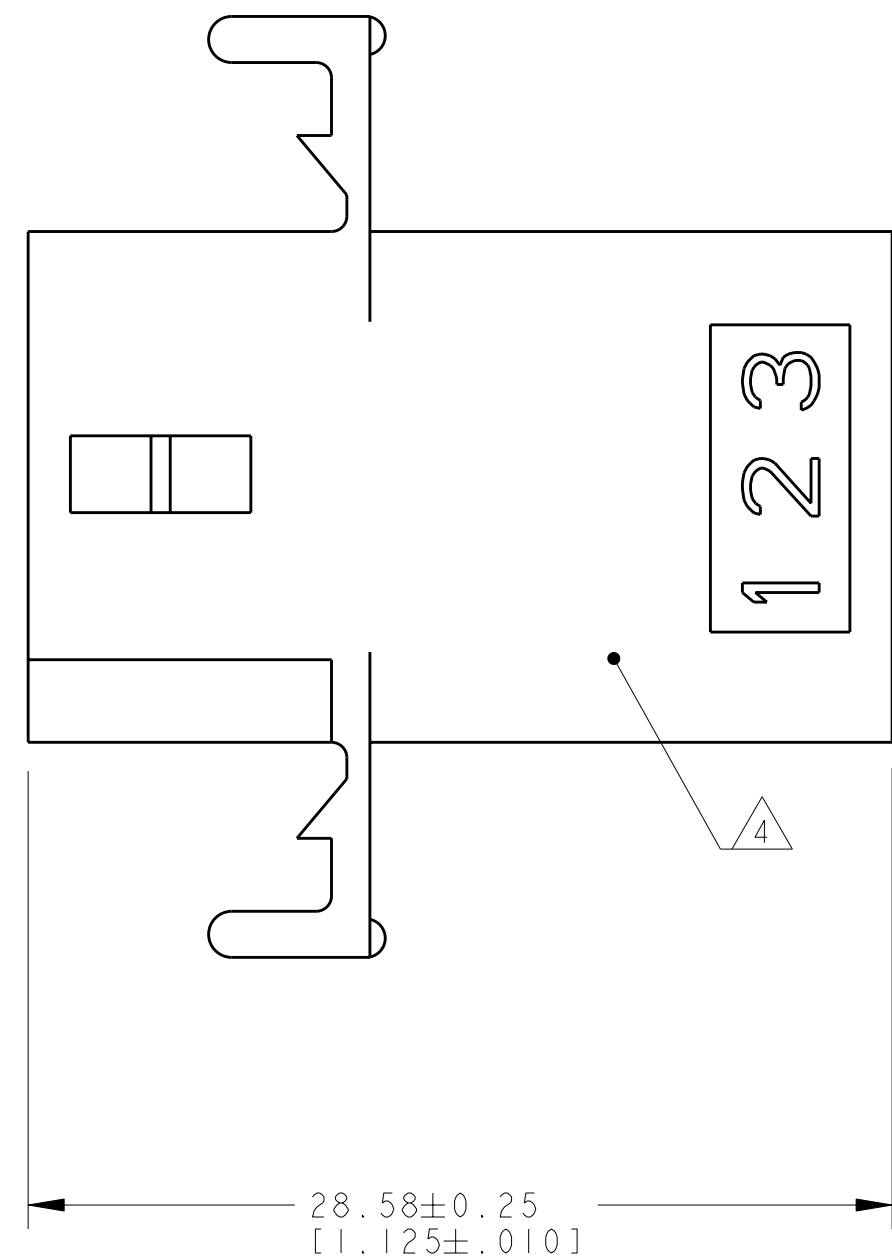
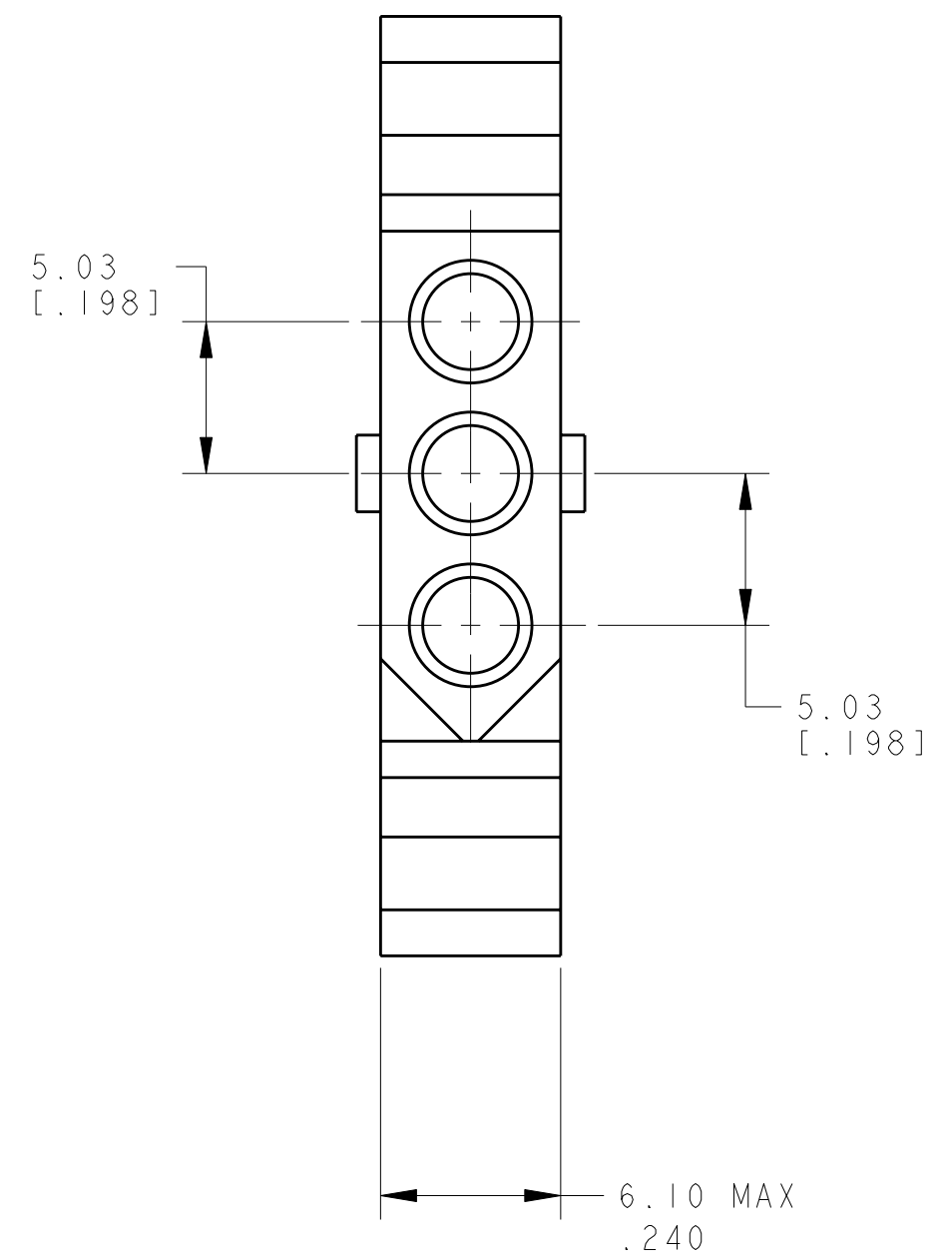


LOC	DIST	REVISIONS					
CM	00	P	LTB	DESCRIPTION	DATE	DWN	APVD
		M		REVISED PER 0638-0540-04	03AUG04	KW	DC
		MI		REVISED PER ECO-06-008661	19JUL06	KW	DC

- △ MATERIAL: NYLON, UL94V2 (NATURAL).
- 2. RECOMMENDED PANEL THICKNESS 2.29 [.090] MAX.
- 3. MARKING FOR UL AND CSA LOGO SHALL BE LOCATED ON ANY EXTERNAL SURFACE.
- △ AMP LOGO AND CIRCUIT NUMBERS LOCATED IN AREA, EITHER SIDE, SIZE OPTIONAL, FROST BACKGROUND.
- △ WALL THICKNESS TO MEASURE 0.36-0.46 [.014-.018]



RECOMMENDED PANEL CUT OUT

METRIC

770071-1
PART NUMBER

<small>THIS DRAWING IS UNPUBLISHED. RELEASED FOR PUBLICATION BY TYCO ELECTRONICS CORPORATION. ALL RIGHTS RESERVED.</small>		DWN: R. WHITAKER CHK: D. COLEY APVD: D. COLEY	03AUG2004 03AUG2004 03AUG2004	tyco Electronics Tyco Electronics Harrisburg, PA 17105-3608
DIMENSIONS: mm [INCHES]	TOLERANCES UNLESS OTHERWISE SPECIFIED: 0 PLC ± 1 PLC ± 2 PLC ±0.13 (1.005) 3 PLC ± 4 PLC ± ANGLES ±40°30'	PRODUCT SPEC: APPLICATION SPEC: WEIGHT:	NAME: RECEPTACLE, 3 CIRCUIT, .093 COMMERCIAL PIN AND SOCKET	SIZE: CAGE CODE DRAWING NO: RESTRICTED TO:
MATERIAL: △	FINISH: -	CUSTOMER DRAWING	A 00779 C=770071	SCALE: 4:1 SHEET 1 OF 1 REV: M