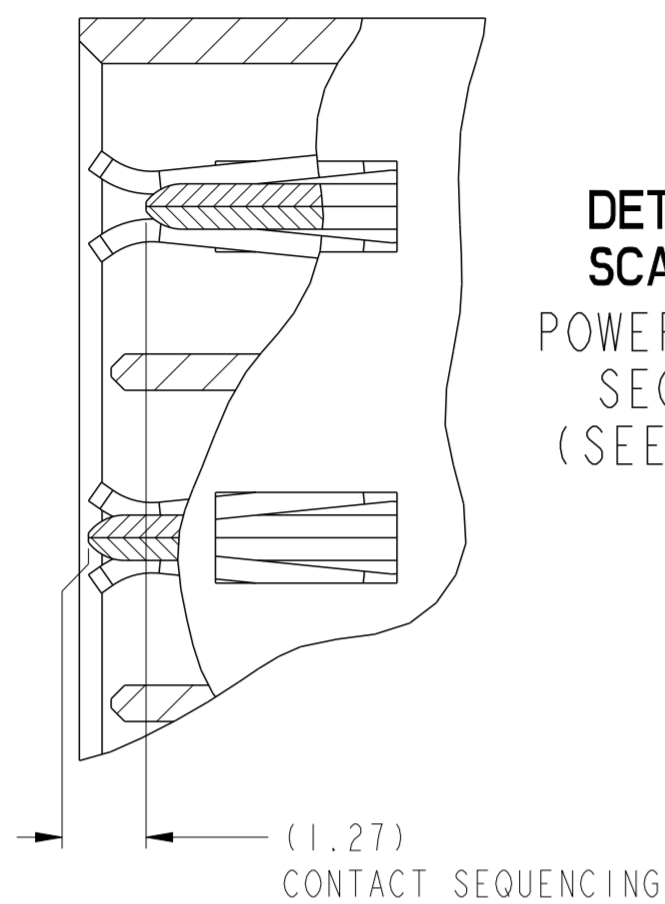
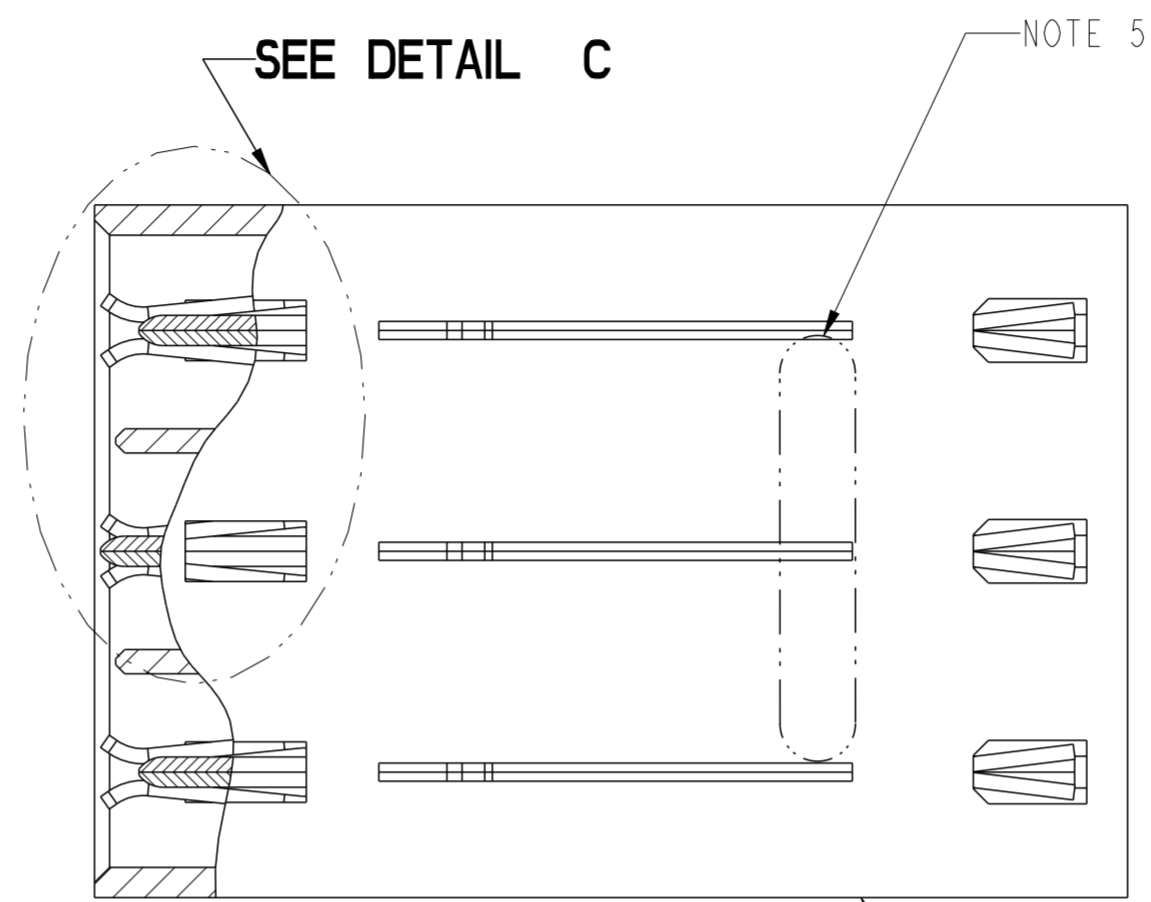


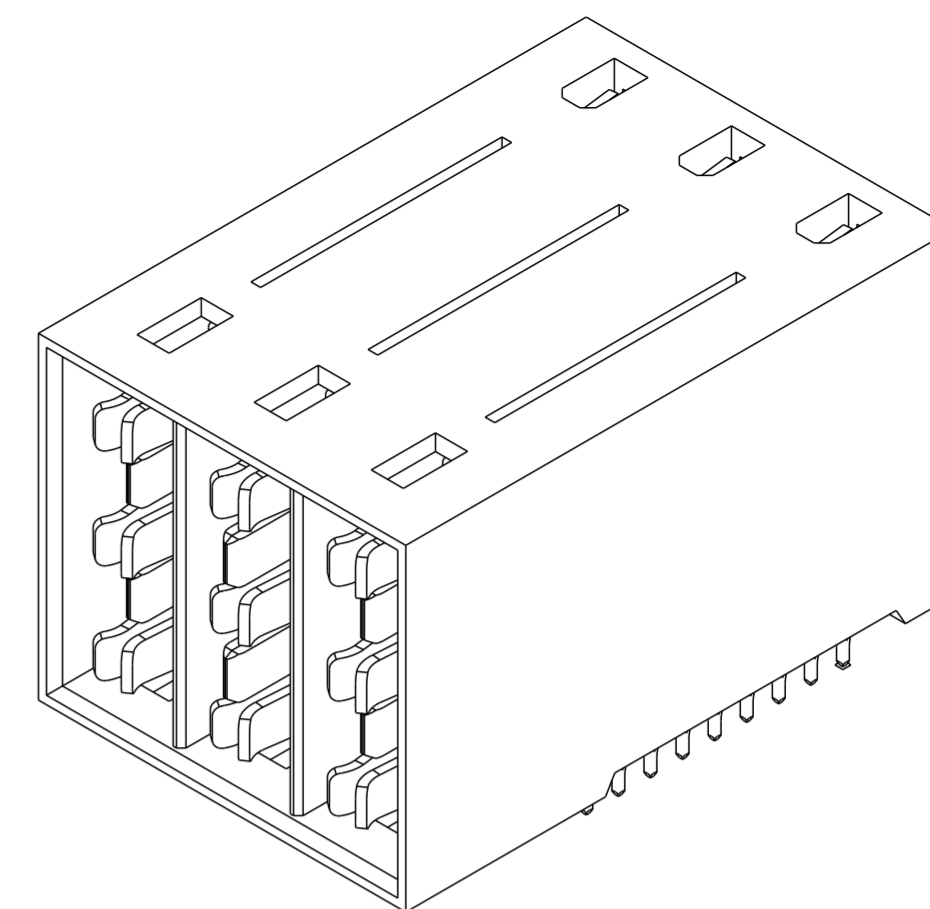
PART NUMBER	FIRST MATE (LONG) CONTACT POSITION	SECOND MATE (SHORT) CONTACT POSITION	TAIL TYPE
10078904-001LF	NONE	ALL POSITION (1,2,3)	PRESS-FIT
10078904-002LF	POSN 2 ONLY (MIDDLE)	POSN 1 & 3	



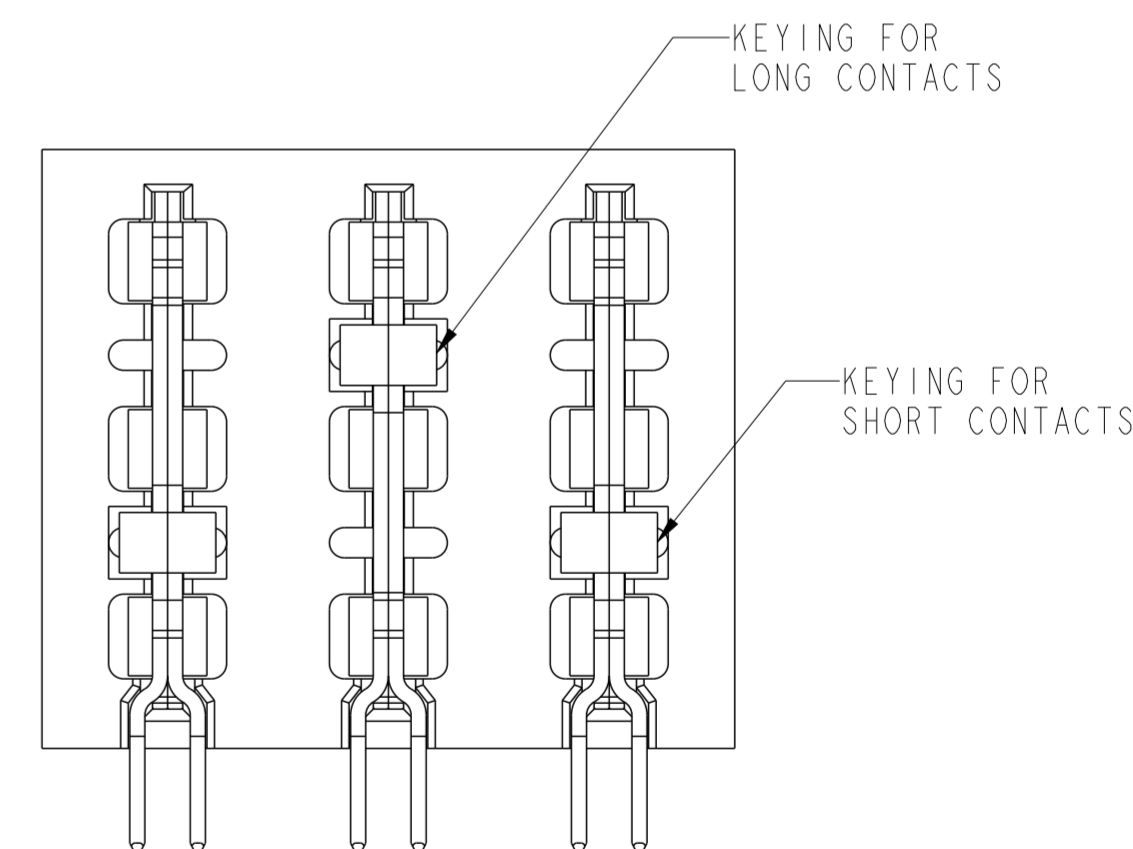
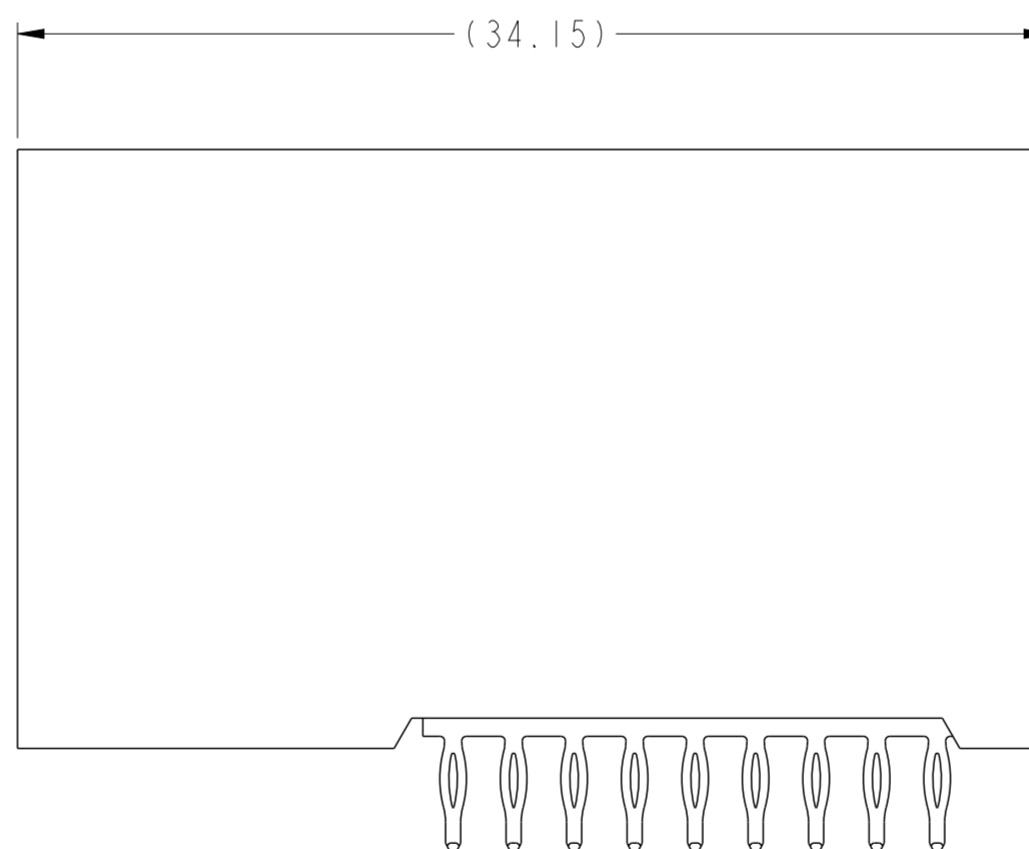
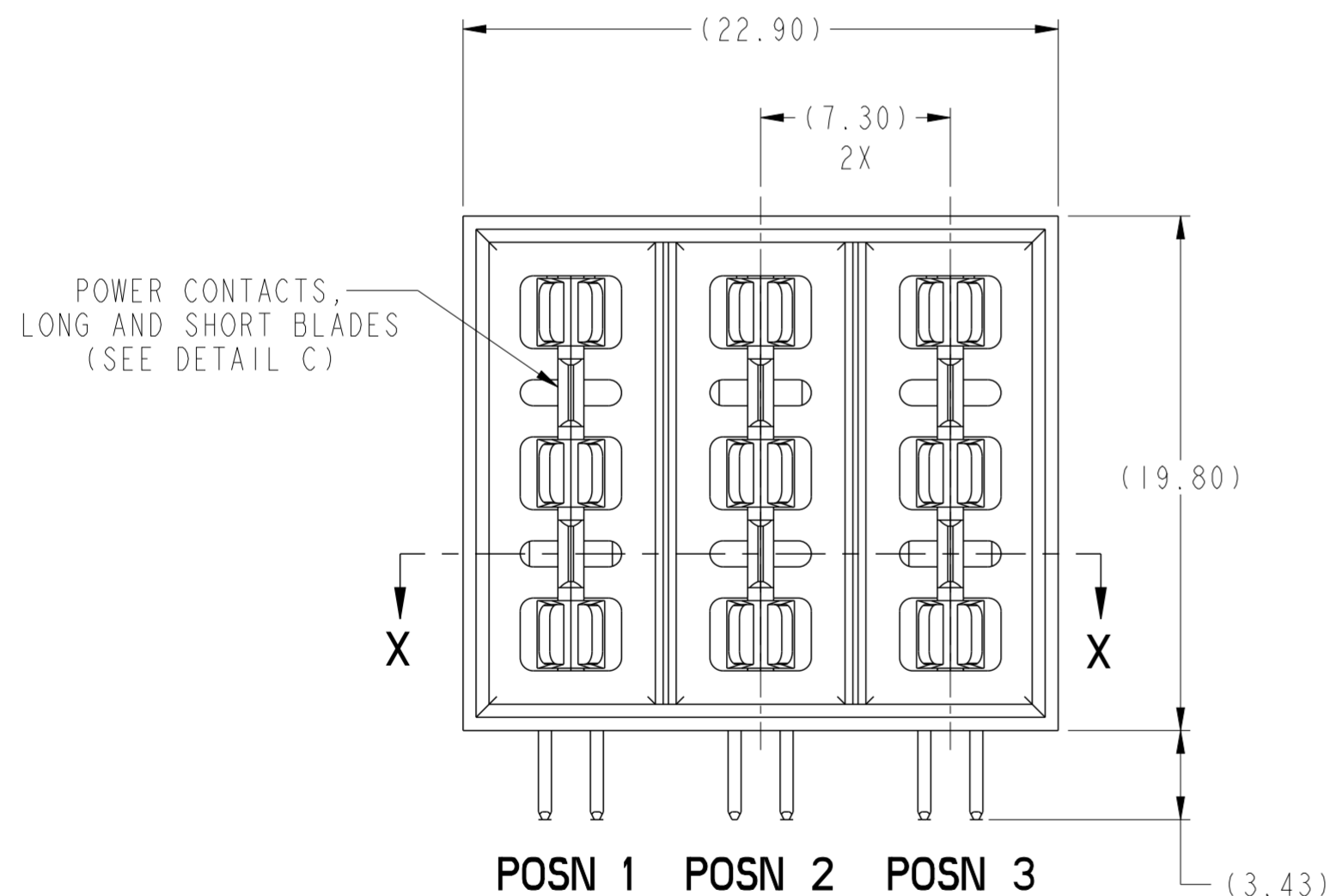
DETAIL C
SCALE 6:1
POWER MATING SEQUENCE
(SEE TABLE)



SECTION X-X

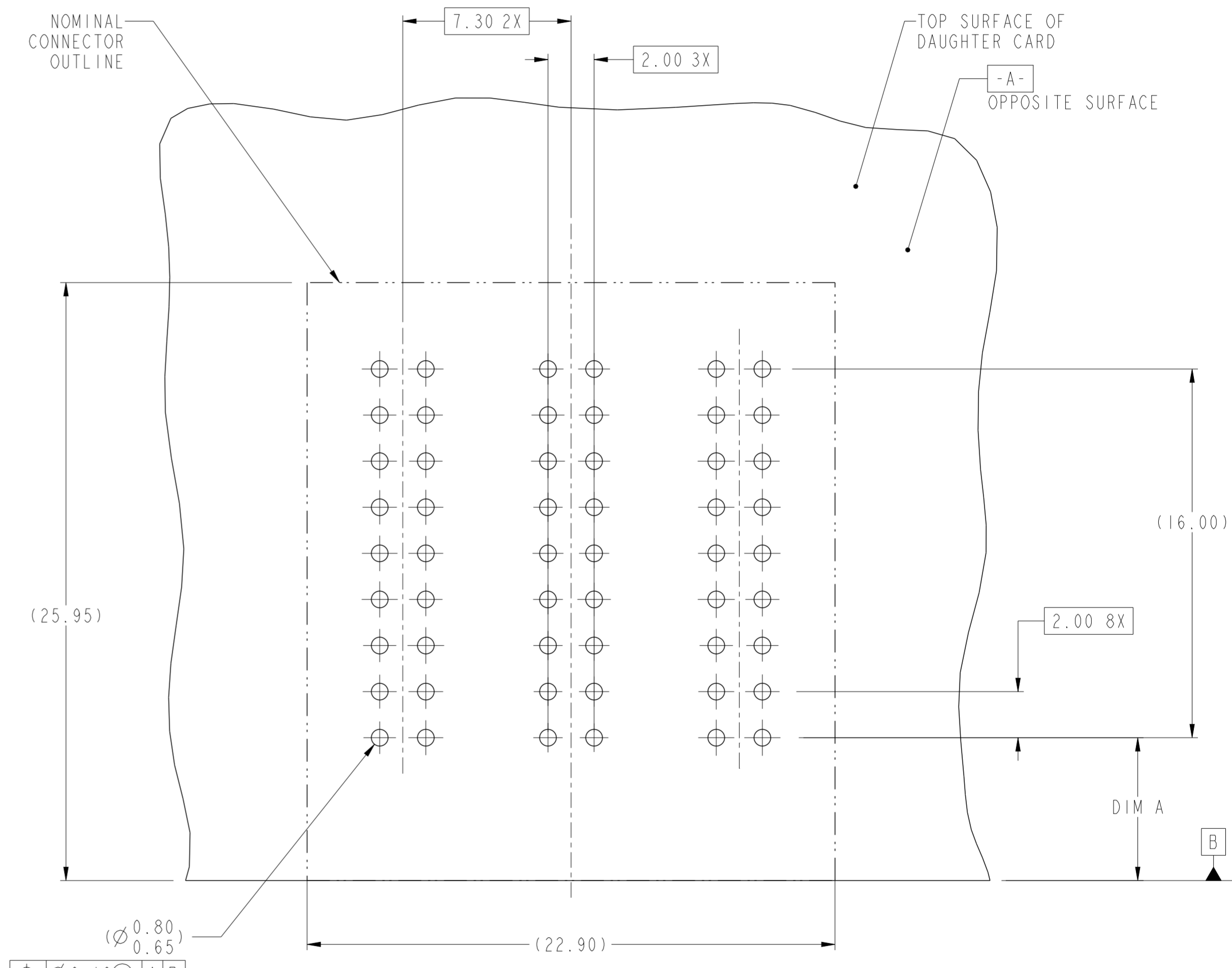


10078904-002 SHOWN



spec ref	-	dr	NotFound DuWa	2010/04/28	projection	MM	size	A2	scale	4:1						
tolerance std	ASME Y14.5	eng	De-Ming Lu	2014/12/28			ecn no	ELX-DG-19849-1	rel level	Released						
TOLERANCES UNLESS OTHERWISE SPECIFIED		chr	-	appr							Pei-Ming Zheng	2014/12/29	product family	HCI		
surface	ASME Y14.5	linear	0.X	±0.5	0.XX	±0.25	0.XXX	±0.10	angular	0°	±2°	www.fci.com	cat. no.	-	Product - Customer Drw	sheet 1 of 2
FCI												title ASSEMBLY, HEADER, R/A 3 POSN ISOLATED POWER CONTACT	dwg no 10078904	rev C		

TOP LAYER DESCRIPTION	TABLE 1 (HCI POWER) PLATED THROUGH-HOLE REQUIREMENTS							
	DRILLED HOLE DIAMETER	COPPER THICKNESS	TIN-LEAD THICKNESS	NICKEL THICKNESS	GOLD THICKNESS	TIN THICKNESS	SILVER THICKNESS	FINISHED HOLE DIAMETER
TIN-LEAD	0.81-0.86 (0.85 DRILL)	0.025 - 0.050	0.005 - 0.015	--	--	--	--	0.65 - 0.80
IMMERSION TIN	0.81-0.86 (0.85 DRILL)	0.025 - 0.050	--	--	--	0.9 - 1.5um	--	0.70 - 0.80
IMMERSION SILVER	0.81-0.86 (0.85 DRILL)	0.025 - 0.050	--	--	--	--	0.15 - 0.65um	0.70 - 0.80
COPPER (SEE NOTE 9)	0.81-0.86 (0.85 DRILL)	0.025 - 0.050	--	--	--	--	--	0.70 - 0.80
GOLD	0.81-0.86 (0.85 DRILL)	0.025 - 0.050	--	0.003 - 0.007	FLASH UP TO 0.0002	--	--	0.69 - 0.80



- NOTES:
- CONNECTOR MATERIALS:
HOUSING: HIGH TEMPERATURE THERMOPLASTIC, BLACK
UL 94V-0 COMPLIANT
CONTACTS: HIGH PERFORMANCE COPPER ALLOY
 - CONTACT FINISH (Ref. GS-12-380 SECTION 5.2)
 - PRODUCT SPECIFICATION: GS-12-380.
 - APPLICATION SPECIFICATION: GS-20-070.
 - PRODUCT MARKING (PRODUCT NUMBER & DATE CODE) ON HOUSING IN AREA SHOWN.
 - MINIMUM NOMINAL PCB THICKNESS: 1.6mm
 - PACKAGING MEETS FCI SPECIFICATION GS-14-1194
 - HOUSING COMPONENT WILL WITHSTAND EXPOSURE TO 260°C PEAK TEMPERATURE FOR 60 SECONDS IN A CONVECTION, INFRA-RED, OR VAPOR PHASE REFLOW OVEN.
 - COPPER PLATING THICKNESS IN CENTER OF VIA-HOLE CAN BE NO MORE THAN 0.003 LESS THAN OTHER AREAS.
 - ALL HOLE SIZES ARE FINISHED HOLE SIZES UNLESS OTHERWISE NOTED.

**RECOMMENDED PCB LAYOUT
COMPONENT SIDE
NOTE 6**

DIM A	DISTANCE FROM BOARD TO BOARD AT FULLY MATED POSITION (NOMINAL)	PRODUCT LINE APPLICATION
8.70 mm	10.0 mm	Metral High Speed
6.20 mm	12.5 mm (H.M.)	Airmax VS,Zipline
2.20 mm	16.5 mm	XCede

dr	NotFound DuWa	2010/04/28	projection	MM	size	A2	scale	6:1
eng	De-Ming Lu	2014/12/28			ecn no	ELX-DG-19849-1	rel level	Released
chr	-	-						
appr	Pei-Ming Zheng	2014/12/29	product family	-	rel level	-	rel level	Released
			ASSEMBLY, HEADER, R/A 3 POSN ISOLATED POWER CONTACT		dwg no 10078904	rev C	Product - Customer Draw sheet 2 of 2	
www.fci.com			cat. no.		-		-	

Copyright FCI.