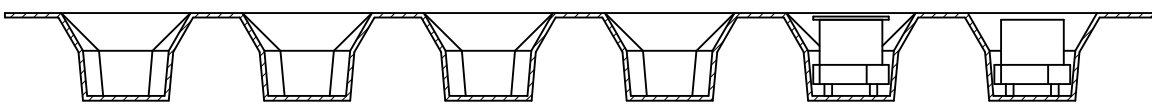
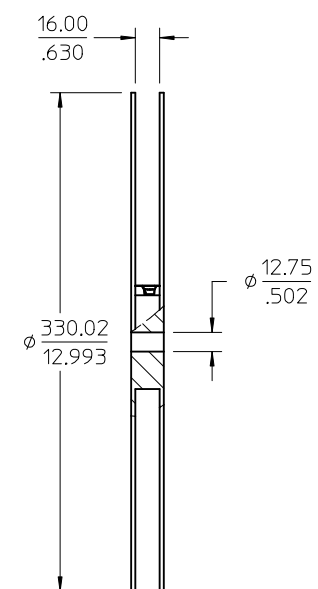


KAPTON  
ON -0233  
ONLY

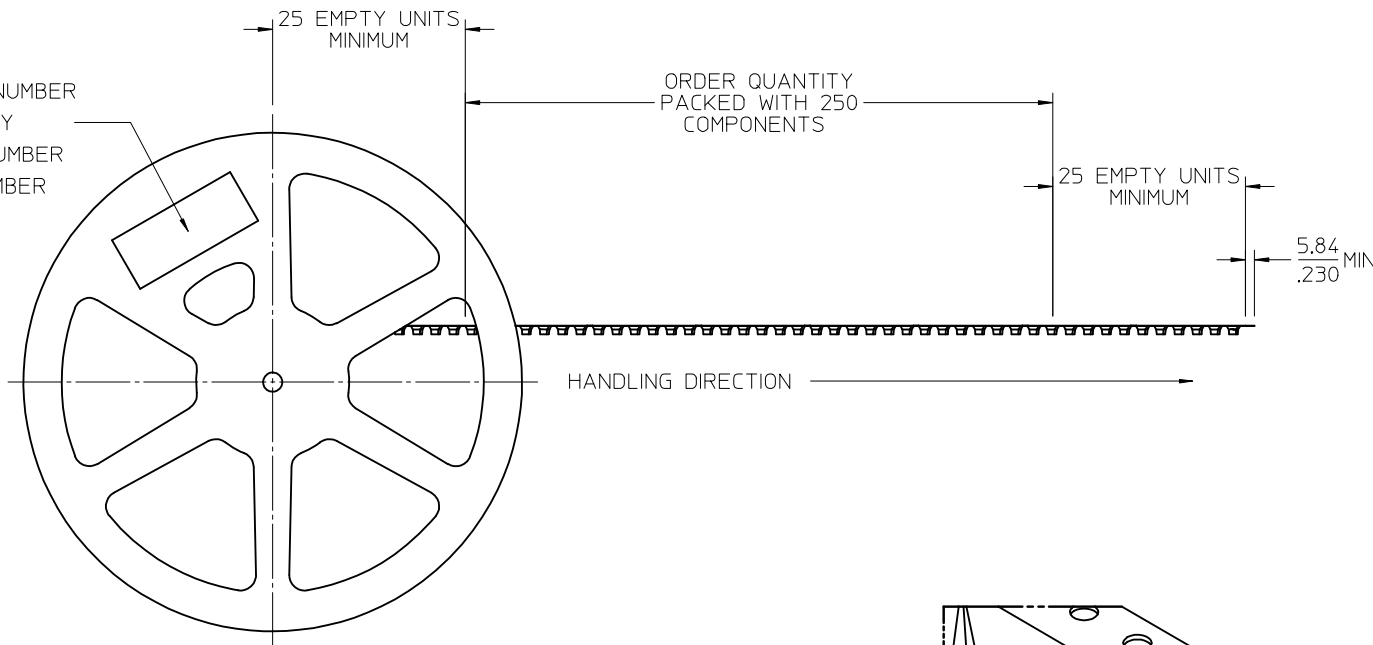
FOR -0232 & -0233



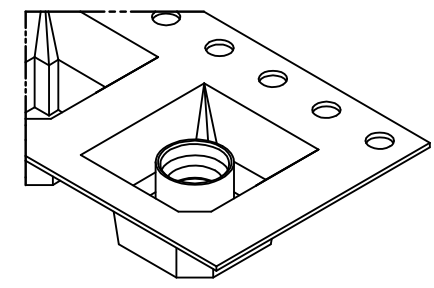
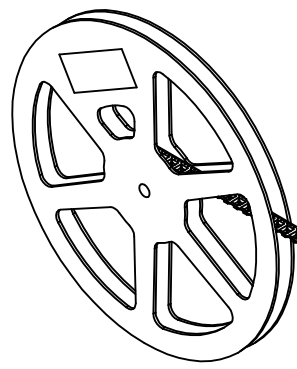
CHG:SEE SHEET 1 EC NO: URF2017-0003 DRW:RYEH CHKD: APPR:YCHENG 2016/07/04 2016/07/07	QUALITY SYMBOLS	GENERAL TOLERANCES (UNLESS SPECIFIED)	DIMENSION STYLE	SCALE	DESIGN UNITS	THIRD ANGLE PROJECTION	
	$\nabla = 0$ $\nabla = 0$ $\nabla = 0$	mm INCH 4 PLACES ± --- ± --- 3 PLACES ± --- ± --- 2 PLACES ± --- ± --- 1 PLACE ± --- ± --- 0 PLACE ± --- ± ---	MM/IN	DRAWN BY DATE RYEH 2012/04/24 CHECKED BY DATE KERRIE 2012/04/24 APPROVED BY DATE MHUANG 2013/05/09	TITLE	METRIC	SMP PLUG STR LD PCB TH GND SMT SIGNAL SMP-P/PCB
	REV	ANGULAR ± 2°	SEE TABLE	MATERIAL NO.	DOCUMENT NO.	SHEET NO.	
	A3	DRAFT WHERE APPLICABLE MUST REMAIN WITHIN DIMENSIONS	SIZE C	THIS DRAWING CONTAINS INFORMATION THAT IS PROPRIETARY TO MOLEX INCORPORATED AND SHOULD NOT BE USED WITHOUT WRITTEN PERMISSION			



LABEL:  
-ORDER NUMBER  
-QUANTITY  
-PART NUMBER  
-LOT NUMBER



FOR -0232 & -0233



SEE Detail 1

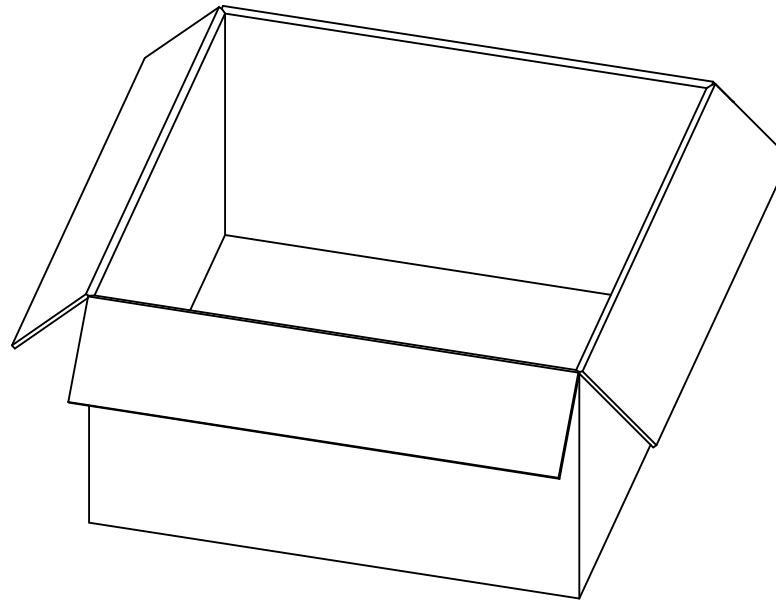
CHG:SEE SHEET 1	DESCRIPTION
EC NO: URF-2017-0003	2016/07/04
DRW:RYEH	2016/07/04
CHKD:	
APPR:YCHENG	2016/07/07
REV	
A3	

QUALITY SYMBOLS	▽=0
	▽=0
	▽=0
GENERAL TOLERANCES (UNLESS SPECIFIED)	
	ANGULAR ± 2 °
DRAFT WHERE APPLICABLE MUST REMAIN WITHIN DIMENSIONS	

DIMENSION STYLE		MM/IN
DRAWN BY	DATE	
CHECKED BY	DATE	
APPROVED BY	DATE	
MATERIAL NO.		
SEE TABLE		

SCALE	DESIGN UNITS	THIRD ANGLE PROJECTION
	METRIC	
TITLE		
SMP PLUG STR LD		
PCB TH GND SMT SIGNAL		
SMP-P/PCB		
<b>molex</b>		
DOCUMENT NO.	SD-73406-023	SHEET NO.
		3 OF 4
THIS DRAWING CONTAINS INFORMATION THAT IS PROPRIETARY TO MOLEX INCORPORATED AND SHOULD NOT BE USED WITHOUT WRITTEN PERMISSION		

73406-0232: 250 PCS X 73406-0230 PER REEL OR  
 73406-0233: 250 PCS X 73406-0230 WITH KAPTON PER REEL  
 P/N: 89707-0234



7 REELS PER CARTON  
 P/N: 89499-9031

CHG:SEE SHEET 1 EC NO: URF2017-0003 DRAWN:RYEH CHKD: APPR:YCHENG 2016/07/04 2016/07/07	DESCRIPTION 2016/07/07	QUALITY SYMBOLS	GENERAL TOLERANCES (UNLESS SPECIFIED)		DIMENSION STYLE		SCALE	DESIGN UNITS	THIRD ANGLE PROJECTION	
		▽=0	mm	INCH	MM/IN		1:2.5	METRIC		
		▽=0	4 PLACES ± ---	± ---	DRAWN BY	DATE	TITLE SMP PLUG STR LD PCB TH GND SMT SIGNAL SMP-P/PCB			
		▽=0	3 PLACES ± ---	± ---	RYEH	2012/04/24				
▽=0	2 PLACES ± ---	± ---	CHECKED BY	DATE	MATERIAL NO. DOCUMENT NO. SHEET NO. SEE TABLE SD-73406-023 4 OF 4					
▽=0	1 PLACE ± ---	± ---	KERRIE	2012/04/24						
	0 PLACE ± ---	± ---	APPROVED BY	DATE	SIZE THIS DRAWING CONTAINS INFORMATION THAT IS PROPRIETARY TO MOLEX INCORPORATED AND SHOULD NOT BE USED WITHOUT WRITTEN PERMISSION					
			MHUANG	2013/05/09						
			ANGULAR ± 2 °		DRAFT WHERE APPLICABLE MUST REMAIN WITHIN DIMENSIONS					