

## P/N: 74701-0104

### Copyright

© 2016, FLIR Systems, Inc.

All rights reserved worldwide. Names and marks appearing herein are either registered trademarks or trademarks of FLIR Systems and/or its subsidiaries. All other trademarks, trade names or company names referenced herein are used for identification only and are the property of their respective owners.

### Document identity

Publ. No.: 74701-0104

Release:

Commit: 33482

Language:

Modified: 2016-02-18

Formatted: 2016-02-18

### Website

<http://www.flir.com>

### Customer support

<http://support.flir.com>

### Disclaimer

Specifications subject to change without further notice. Camera models and accessories subject to regional market considerations. License procedures may apply. Products described herein may be subject to US Export Regulations. Please refer to [exportquestions@flir.com](mailto:exportquestions@flir.com) with any questions.



General description	
<p>FLIR's new TG167 imaging infrared (IR) thermometer bridges the gap between single-spot IR thermometers and FLIR's legendary thermal cameras. Equipped with FLIR's exclusive Lepton micro thermal camera, the FLIR TG167 shows you where potential problems are brewing and where to aim your spot.</p> <p>The FLIR TG167 lets you see heat patterns, reliably measure temperature, and store images and data. Its menu uses intuitive icons, making it simple to operate. The FLIR TG167 also makes documentation easy by saving images you can download from the Micro SD card or over a USB connection and use for reports.</p>	
Key features	
<ul style="list-style-type: none"> <li>• See the heat and speed up troubleshooting.</li> <li>• Know where to measure temperature.</li> <li>• Grab and go simplicity—no special training required.</li> <li>• Pocket portable to fit a crowded tool bag.</li> <li>• Rugged and reliable.</li> </ul>	
Imaging and optical data	
IR resolution	80 × 60 pixels
Thermal sensitivity/NETD	< 150 mK
Field of view (FOV)	25° × 19.6°
Minimum focus distance	0.1 m (4 in.)
Distance to spot ratio	24:1
Image frequency	9 Hz
Focus	Focus free
Detector data	
Detector type	Focal plane array (FPA), uncooled microbolometer
Spectral range	8–14 μm



## FLIR TG167 (Global)

P/N: 74701-0104

© 2016, FLIR Systems, Inc.

#74701-0104; r. /33482;

<b>Image presentation</b>	
Display	2.0 in. TFT LCD
<b>Measurement</b>	
Object temperature range	-25 to +380°C (-13 to +716°F)
Accuracy	±1.5% or 1.5°C (2.7°F)
Minimum measurement distance	26 cm (10 in.)
<b>Measurement analysis</b>	
Center spot	Yes
Color palettes	<ul style="list-style-type: none"><li>• Hot Iron</li><li>• Rainbow</li><li>• Grayscale</li></ul>
<b>Set-up</b>	
Set-up commands	<ul style="list-style-type: none"><li>• Local adaptation of units, language, date, and time formats</li><li>• Deletion of images</li></ul>
Emissivity correction	4 pre-set levels with custom adjustment of 0.1–0.99
<b>Storage of images</b>	
Memory type	Micro SD card
Image storage capacity	75 000 pictures with included 8 GB Micro SD card
Memory expansion	32 GB SD card maximum
Saved image format	Bitmap (BMP) image with temperature and emissivity
<b>Laser pointers</b>	
Laser	Dual diverging lasers indicate the temperature measurement area, activated by pulling the trigger
<b>Power system</b>	
Battery type	Rechargeable Li ion battery
Battery voltage	3.7 V
Battery operating time	>5 hours of continuous scanning with lasers
Battery charge life	30 days minimum
Charging system	Battery is charged inside the camera
Charging time	4 hours to 90%, 6 hours to 100%
Power management	Adjustable: off, 1 minute, 2 minutes, 5 minutes, 10 minutes
<b>Environmental data</b>	
Operating temperature range	-10 to +45°C (+14 to 113°F)
Storage temperature range	-30 to +55°C (-22 to 131°F)



## FLIR TG167 (Global)

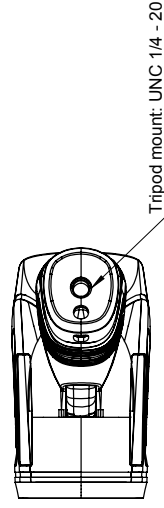
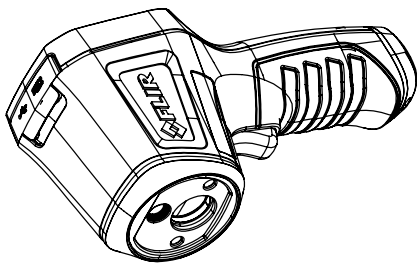
P/N: 74701-0104

© 2016, FLIR Systems, Inc.

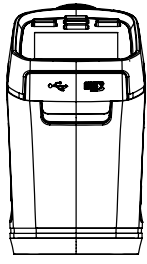
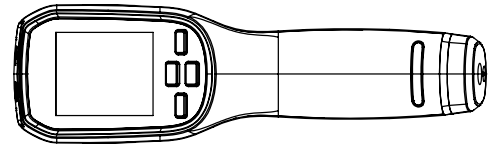
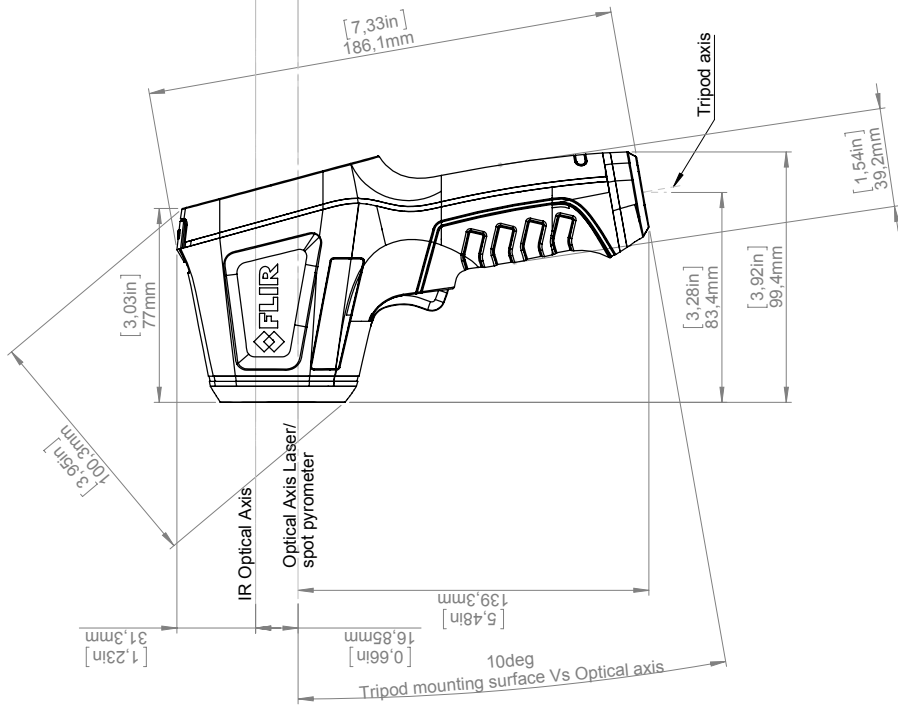
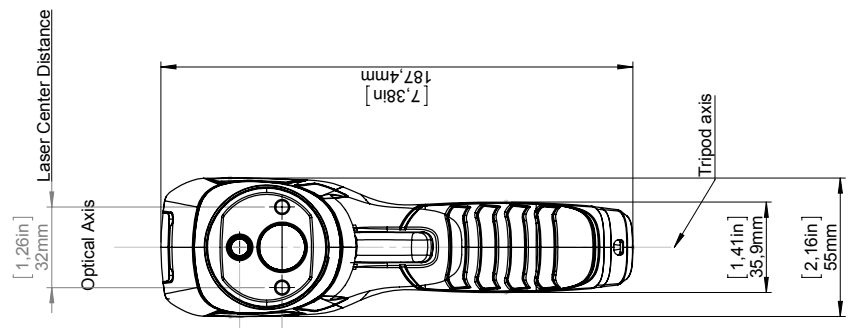
#74701-0104; r. /33482;

<b>Environmental data</b>	
Humidity (operating and storage)	0–90% relative humidity (RH) (0–37°C (32– 98.6° F)), 0–65% RH (37–45°C (98.6–113°F)), 0–45% RH (45–55°C (113–131°F))
EMC	<ul style="list-style-type: none"><li>• WEEE 2012/19/EC</li><li>• RoHs 2011/65/EC</li><li>• EN 61000-6-3</li><li>• EN 61000-6-2</li><li>• FCC 47 CFR Part 15 Class B</li></ul>
Magnetic fields	EN 61000-4-8
Encapsulation	IP 40 (IEC 60529)
Shock	25 g (IEC 60068-2-29)
Vibration	2 g (IEC 60068-2-6)
Drop	Designed for 2 m (6.6 ft.)
Safety	CE, FCC, PSC, FDA
<b>Physical data</b>	
Camera weight, incl. battery	0.312 kg (11 oz.)
Camera size (L x W x H)	186 mm x 55 mm x 94 mm (7.3 in. x 2.2 in. x 3.7 in.)
Tripod mounting	1/4 in.-20 on handle bottom
Color	Black, white, silver
Material	PC-ABS, TPU
<b>Shipping information</b>	
Packaging, type	Color box with view of product in clamshell
List of contents	<ul style="list-style-type: none"><li>• Imaging IR thermometer</li><li>• 8 GB Micro SD card</li><li>• Printed documentation</li><li>• Wrist strap lanyard</li><li>• Power supply with separate USB cable</li></ul>
Packaging, weight	0.85 kg (1.8 lb.)
Packaging, size	34 cm x 15 cm x 12 cm (13.5 in. x 6 in. x 4.5 in.)
EAN-13	7332558010877
UPC-12	845188011628
Country of origin	China

TG 165: Camera with built in IR lens 50° x 38,6°  
 TG 167: Camera with built in IR lens 25° x 19,3°



Tripod mount: UNC 1/4 - 20



Modified 2015-06-15  
 Check ROPE  
 Drawn by R&D Thermography  
 Denomination

Size A3

Scale 1:2

Sheet 1(1)

Drawing No. T128960

Basic Dimensions TG165 - 167