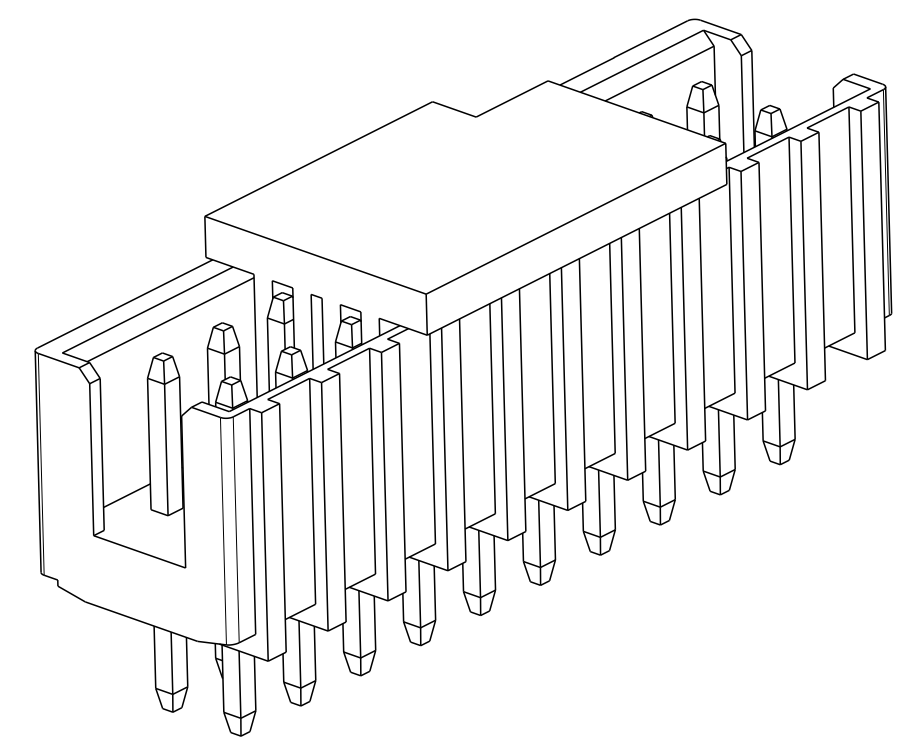
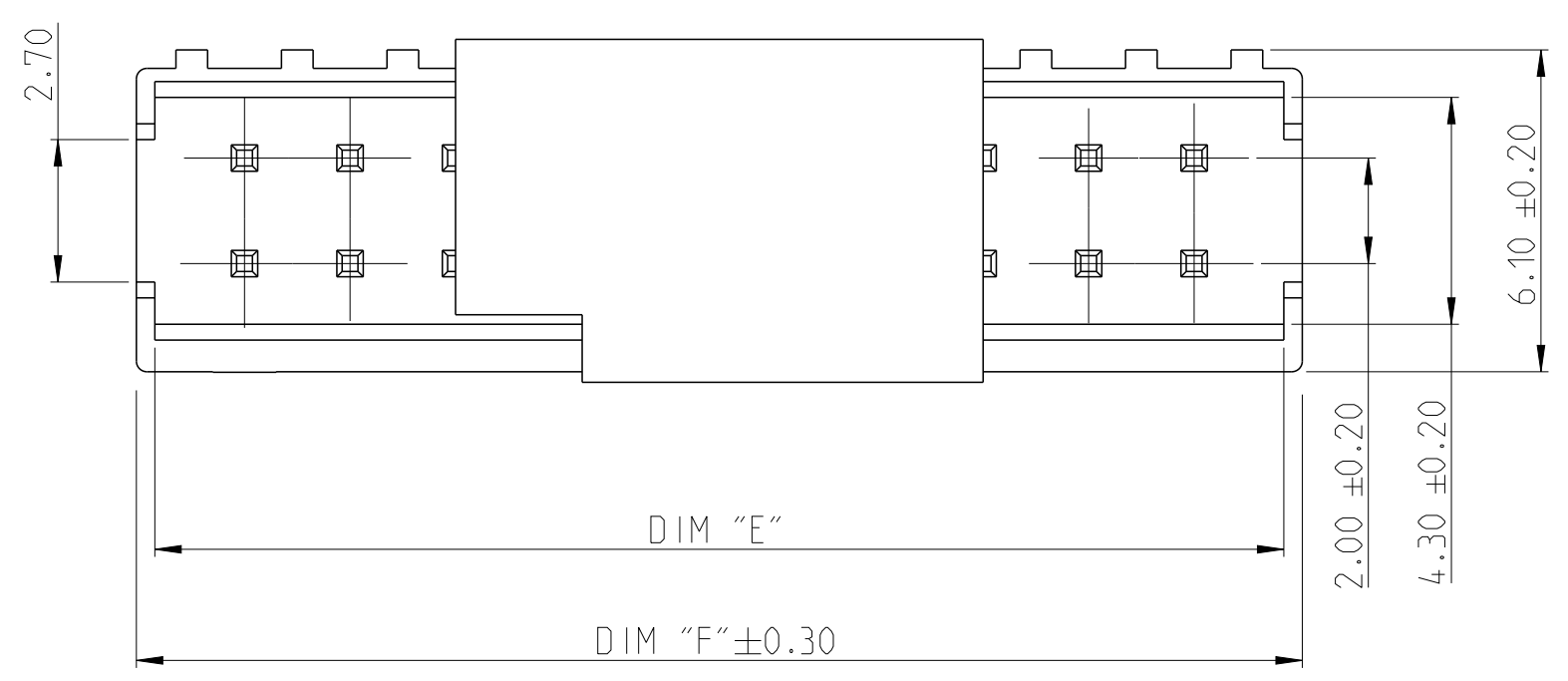
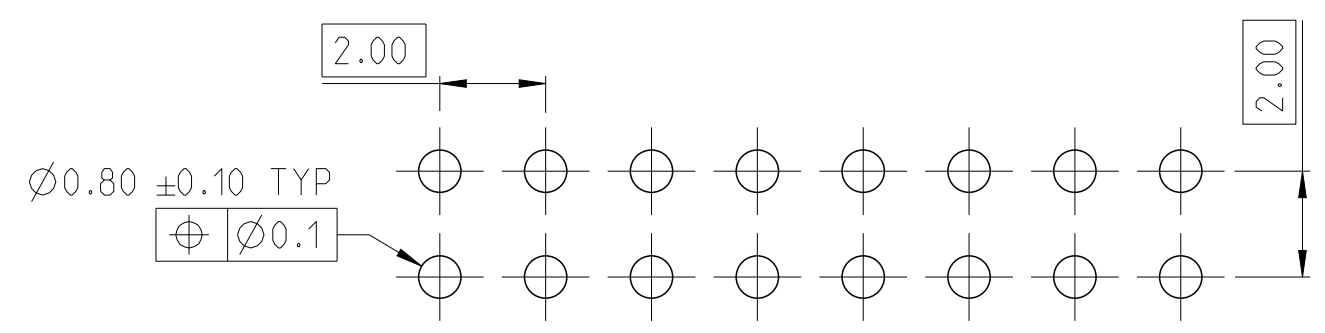


REVISIONS				
P	LTR	DESCRIPTION	DATE	APVD
	A	RELEASE TO PRODUCTION	09DEC2019	AY PS
	A1	REMOVE POSITION 4, 6 AND 8	04JUN2020	AY PS

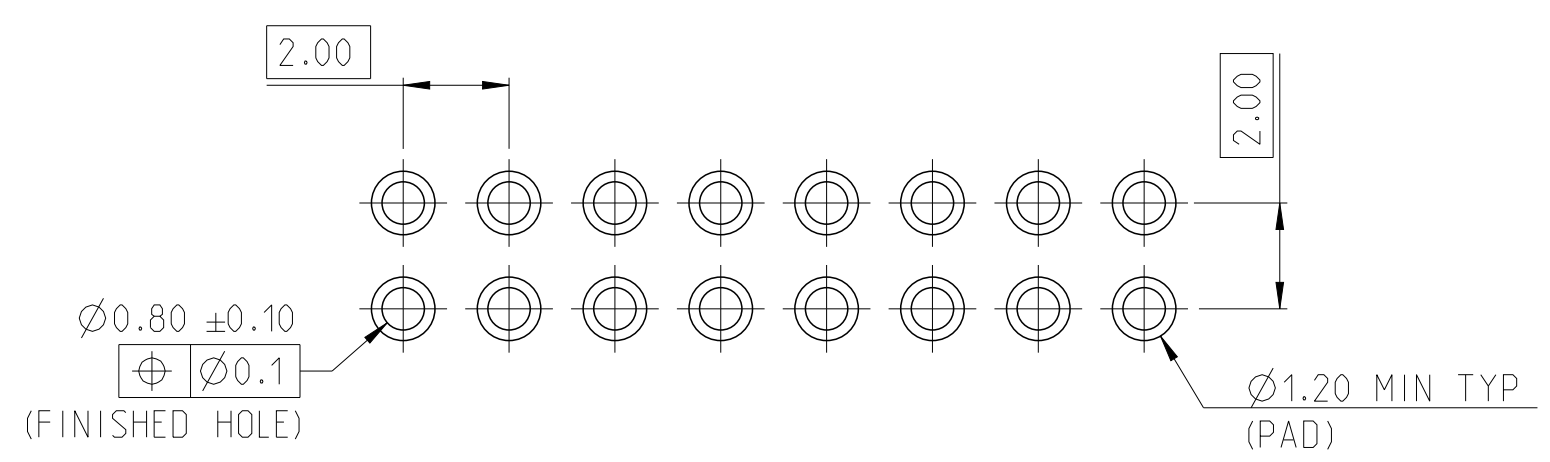
NOTES:  
 1. MATERIAL  
 HOUSING & P&P CAP : HIGH TEMPERATURE THERMOPLASTIC, UL94-V0; COLOR- BLACK  
 POST : COPPER ALLOY  
 FINISH :  
 MATING SIDE: MIN. 0.1 μm GOLD OVER NICKEL UNDER PLATING.  
 SOLDER SIDE: MIN. 2.0 μm TIN OVER NICKEL UNDER PLATING.  
 2. PACKAGING: TUBE (WITH PICK AND PLACE CAP)  
 3. TOLERANCE NOT CUMULATIVE.



52.10	51.40	50	5-2842286-0
50.10	49.40	48	4-2842286-8
48.10	47.40	46	4-2842286-6
46.10	45.40	44	4-2842286-4
44.10	43.40	42	4-2842286-2
42.10	41.40	40	4-2842286-0
40.10	39.40	38	3-2842286-8
38.10	37.40	36	3-2842286-6
36.10	35.40	34	3-2842286-4
34.10	33.40	32	3-2842286-2
32.10	31.40	30	3-2842286-0
30.10	29.40	28	2-2842286-8
28.10	27.40	26	2-2842286-6
26.10	25.40	24	2-2842286-4
24.10	23.40	22	2-2842286-2
22.10	21.40	20	2-2842286-0
20.10	19.40	18	1-2842286-8
18.10	17.40	16	1-2842286-6
16.10	15.40	14	1-2842286-4
14.10	13.40	12	1-2842286-2
12.10	11.40	10	1-2842286-0
DIM "F"	DIM "E"	POS.	TE PN.



RECOMMENDED PCB HOLE PATTERN FOR THROUGH HOLE WAVE



RECOMMENDED PCB HOLE PATTERN FOR THROUGH HOLE REFLOW/PIN-IN-PASTE

2-2842286-0 AS SHOWN

PICK AND PLACE CAP	3
CONTACT PIN	2
HOUSING	1
DESCRIPTION	ITEM NO.

THIS DRAWING IS A CONTROLLED DOCUMENT.		DWN ANKIT YADAV 11NOV2019	TE Connectivity NAME AMPMODU 2mm SHROUDED HEADER DUAL ROW, VERTICAL TH. 0.1 Au, TUBE, WITH PICK AND PLACE CAP SIZE A2 CAGE CODE 00779 DRAWING NO C-2842286 RESTRICTED TO - SCALE 5:1 SHEET 1 OF 1 REV A1
DIMENSIONS: mm		CHK KARTHIK JK 25NOV2019	
TOLERANCES UNLESS OTHERWISE SPECIFIED:		APVD PRASHANTH S. 27NOV2019	
0 PLC ± 1 PLC ± 2 PLC ±0.25 3 PLC ± 4 PLC ± ANGLES ±2° FINISH SEE NOTES		PRODUCT SPEC 108-64040 APPLICATION SPEC 114-32259 WEIGHT - CUSTOMER DRAWING	