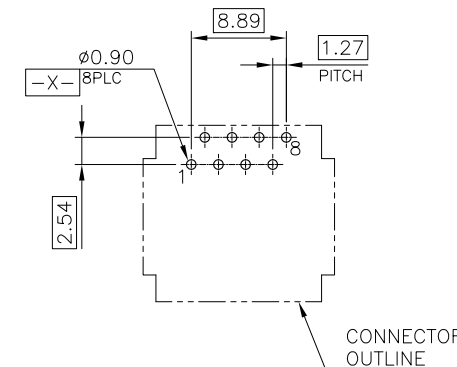
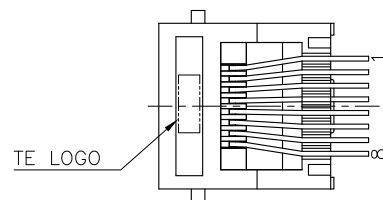
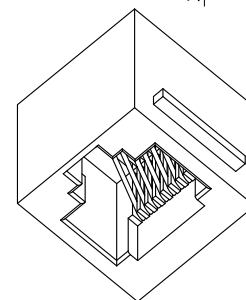
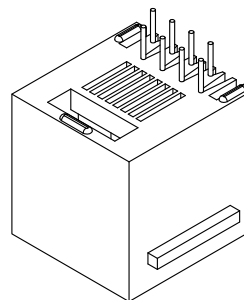
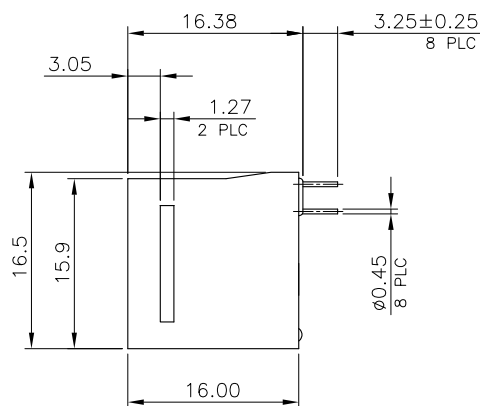
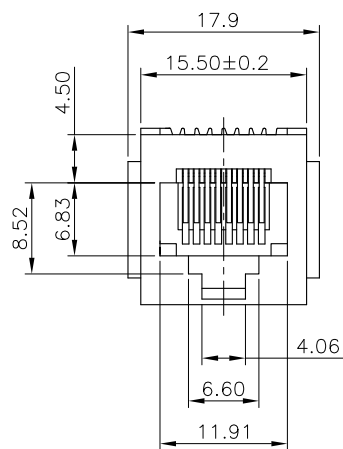


THIS DRAWING IS UNPUBLISHED. RELEASED FOR PUBLICATION  
 © COPYRIGHT 2011 BY TYCO ELECTRONICS CORPORATION. ALL RIGHTS RESERVED.

LOC DW	DIST	REVISIONS			
P	LTR	DESCRIPTION	DATE	DWN	APVD
A3	ECR-12-012115		26OCT'12	EL	WK



RECOMMENDED PCB LAYOUT  
 RECOMMENDED PCB THICKNESS: 1.6mm  
 TOLERANCE: ±0.05 (TOP VIEW)



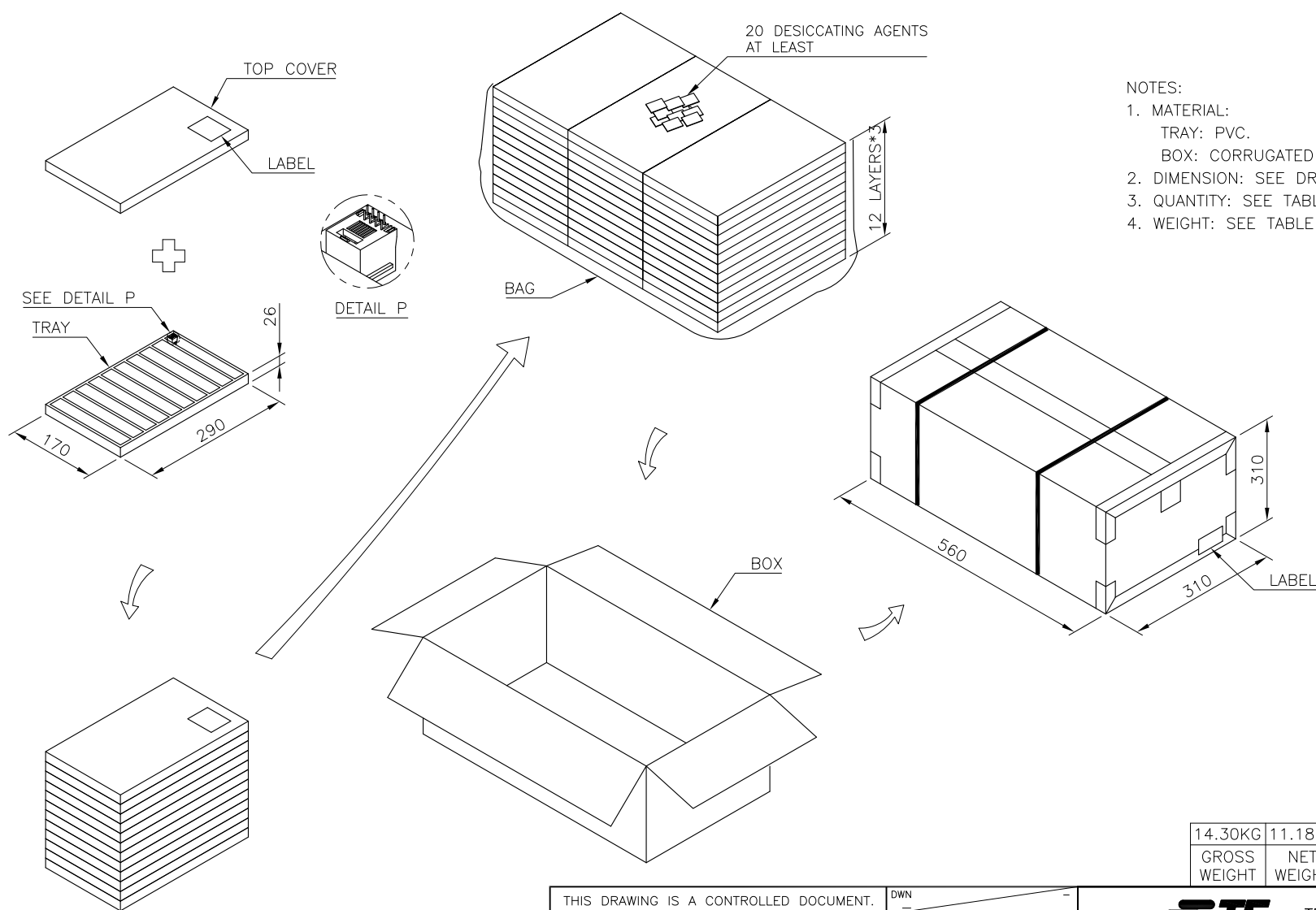
OBSOLETE	PA46	1.27um[50u"]	1-1775089-4
		0.76um[30u"]	1-1775089-3
OBSOLETE	PBT	0.38um[15u"]	1-1775089-2
		0.15um[6u"]	1-1775089-1
		1.27um[50u"]	1-1775089-4
		0.76um[30u"]	1-1775089-3
OBSOLETE	HS'G MATERIAL	0.38um[15u"]	1-1775089-2
		0.15um[6u"]	1-1775089-1
		MIN. GOLD THICKNESS	PART NUMBER

- NOTES:
- MATERIAL:
    - HOUSING: THERMOPLASTIC (SEE TABLE) WITH 30% GF, UL94V-0, COLOR: BLACK
    - CONTACT: PHOSPHOR BRONZE.
  - FINISH:
    - CONTACT: (SEE TABLE) GOLD PLATED ON ALL CONTACTS, 1.27um [50u"] MIN. NICKEL UNDERPLATED OVERALL.
- WAVE SOLDER CAPABLE TO 240°C PER 109-202, CONDITION A.  
 REFLOW SOLDER CAPABLE TO 260°C PER TEC-109-201, CONDITION B.  
 OBSOLETE PARTS: OBSOLETE CIS STREAMLINING PER D.RENAUD/D.SINISI

THIS DRAWING IS A CONTROLLED DOCUMENT.		DWN S. CHIEN	10FEB2008	TE Connectivity	
DIMENSIONS: mm		CHK S. HOU	10FEB2008		
TOLERANCES UNLESS OTHERWISE SPECIFIED:		APVD W. KODAMA	10FEB2008	NAME	
0 PLC ± - 1 PLC ± 0.3 2 PLC ± 0.2 3 PLC ± 0.15 4 PLC ± - ± 3°		PRODUCT SPEC 108-57535		MODULAR JACK, RJ45, LOW PROFILE, V/R	
MATERIAL SEE NOTE		APPLICATION SPEC		SIZE A3	CAGE CODE 00779
FINISH SEE NOTE		WEIGHT 3.45 GRAMS		DRAWING NO C=1775089	
		CUSTOMER DRAWING		RESTRICTED TO	
		SCALE		SHEET 1 OF 2	REV A3

THIS DRAWING IS UNPUBLISHED. RELEASED FOR PUBLICATION  
 © COPYRIGHT 2011 BY TYCO ELECTRONICS CORPORATION. ALL RIGHTS RESERVED.

LOC DW	DIST	REVISIONS			
P	LTR	DESCRIPTION	DATE	DWN	APVD
		SEE SHEET 1.			



- NOTES:
- MATERIAL:  
 TRAY: PVC.  
 BOX: CORRUGATED FIBER.
  - DIMENSION: SEE DRAWING
  - QUANTITY: SEE TABLE
  - WEIGHT: SEE TABLE

14.30KG	11.18KG	90	36	3240
GROSS WEIGHT	NET WEIGHT	PCS/TRAY	TRAY/BOX	PCS/BOX

THIS DRAWING IS A CONTROLLED DOCUMENT.		DWN	TE Connectivity		
DIMENSIONS: mm		CHK	NAME		
TOLERANCES UNLESS OTHERWISE SPECIFIED:		APVD	MODULAR JACK, RJ45, LOW PROFILE, V/R		
0 PLC ± - 1 PLC ± 0.3 2 PLC ± 0.2 3 PLC ± 0.15 4 PLC ± - ANGLES ± 3'		PRODUCT SPEC	SIZE	CAGE CODE	DRAWING NO
MATERIAL		APPLICATION SPEC	A3	00779	C=1775089
FINISH		WEIGHT	CUSTOMER DRAWING		RESTRICTED TO
		SCALE	SHEET 2 of 2		REV A3