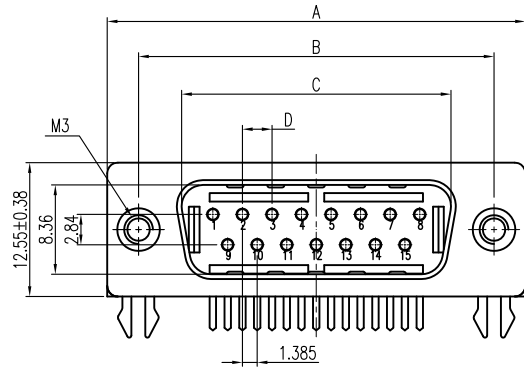
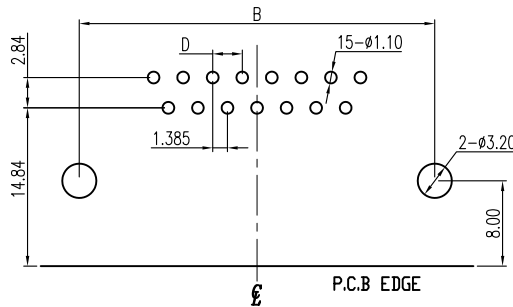
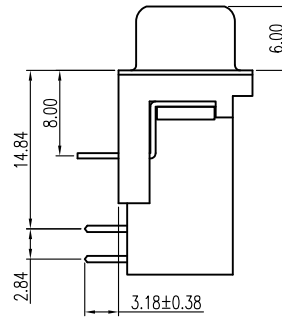
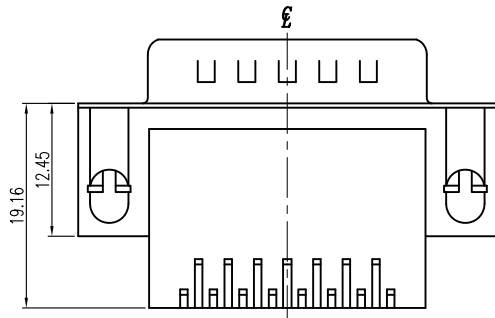


This document is the property of Amphenol Corporation and is delivered on the express condition that it is not to be disclosed, reproduced or used, in whole or in part, for manufacture or sale by anyone other than Amphenol Corporation without its prior consent, & that no right is granted to disclose or to use any information in this document.

Customer Drawing



Shell size	Position	A ±0.38	B	C	D
E	9P	30.81	24.99	16.92	2.77
A	15P	39.19	33.32	25.25	2.77
B	25P	53.04	47.04	38.96	2.77
C	37P	69.32	63.50	55.42	2.77



RECOMMENDED P.C.B. LAYOUT
TOLERANCE: ±0.05MM



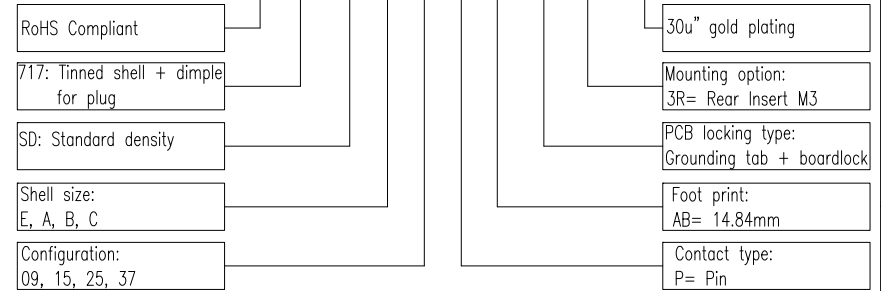
REVISIONS				
SYM	ECN	DESCRIPTION	DATE	APPROVED
1	HK--	First Release Drawing	04/11/19	IP

D-SUB TECHNICAL DATA

SHELL : SPCC, 100u" min Tin over 50u" min Nickel over 50u" min Copper
 BODY : PBT UL 94V-0 Color: Black
 CONTACTS : Copper Alloy
 30u" Gold over 50u" min Nickel on mating area.
 100u" min Tin over 50u" min Nickel on solder area.
 BOARDLOCK: Copper alloy, Tin plated.
 REAR NUT: Copper alloy, Nickel plated.
 ELECTRICAL : Voltage rating 250 V Rms Max.
 Current rating 3A.
 Withstanding Voltage >1000 V Rms
 Insulation resistance >1000 M Ohms
 Contact resistance 25 mOhms max.
 MARKING : Amphenol...(Series No.)
 Commercial reference
 Manufacturing date

PRODUCT CODE

L 717 SD X XX P AB CH 3R C309



UNLESS OTHERWISE SPECIFIED TOLERANCES		APPROVAL		DATE
U.S.	METRIC	DRAWN	Stemon Chen	04/11/19
.X +/-	0.50	CHECKED	Tony Tang	04/11/19
.XX +/-	0.30	CHECKED		
.XXX +/-	0.20			
FRACTIONS +/-	5'			
ANGLES +/-				
FOR MATERIALS AND FINISHES SEE NOTES		DRAWING FILE :		
REMOVE SHARP EDGES		ANGLE OF PROJECTION		
DIMENSIONS				
U.S.	INCHES			
METRIC	MM			

TITLE		
Amphenol		
D-SUB connector, R/A Series		
SIZE	DRAWING NO.	REV.
A4	L717SDXXXPABCH3RC309	1
SCALE	NONE	SHEET 1 OF 1