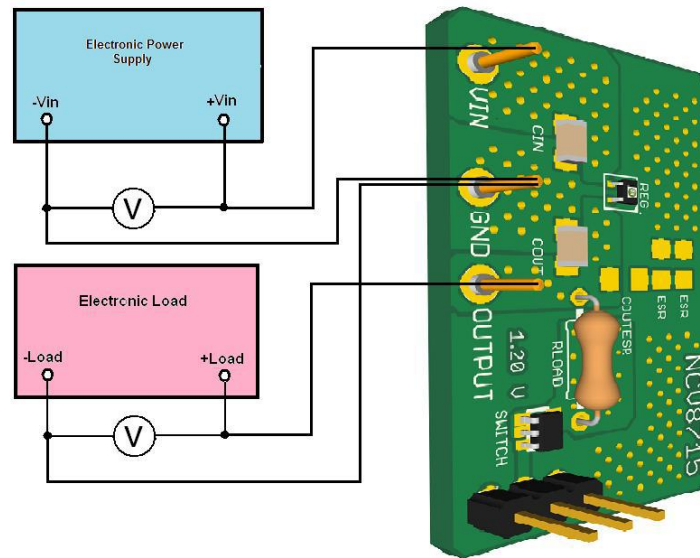




Test Procedure for the NCV8715SQT2GEVB Evaluation Board



Test procedure:

1. Check the Voltage Version (It is mentioned next to OUTPUT terminal on the demoboard.)
2. Connect the test setup as shown Figure above
3. Apply an input voltage $V_{in} = 6.0 \text{ V}$
4. Apply $I_{out} = 0 \text{ mA}$ load.
5. Check that V_{out} is:
 - 1.2 V +/-2% for 1.2 V voltage version**
 - 1.5 V +/-2% for 1.5 V voltage version**
 - 1.8 V +/-2% for 1.8 V voltage version**
 - 2.5 V +/-2% for 2.5 V voltage version**
 - 3.0 V +/-2% for 3.0 V voltage version**
 - 3.3 V +/-2% for 3.3 V voltage version**
 - 5.0 V +/-2% for 5.0 V voltage version**
6. Increase I_{out} up to **50 mA**



7. Check that V_{out} is :
 - 1.2 V +/-2% for 1.2 V voltage version**
 - 1.5 V +/-2% for 1.5 V voltage version**
 - 1.8 V +/-2% for 1.8 V voltage version**
 - 2.5 V +/-2% for 2.5 V voltage version**
 - 3.0 V +/-2% for 3.0 V voltage version**
 - 3.3 V +/-2% for 3.3 V voltage version**
 - 5.0 V +/-2% for 5.0 V voltage version**

8. Increase V_{in} up to **24.0 V** and decrease the load in accordance with **Safe Operation Area**

9. Power down the Load

10. Power down the V_{cc}

11. End of test