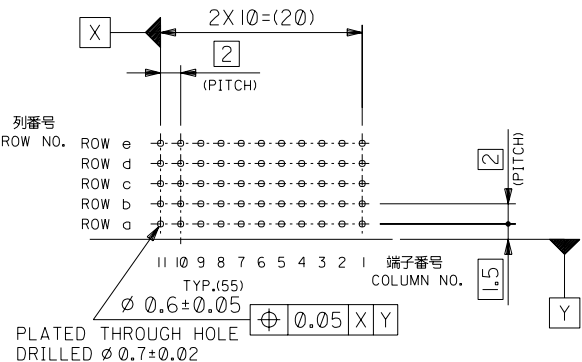
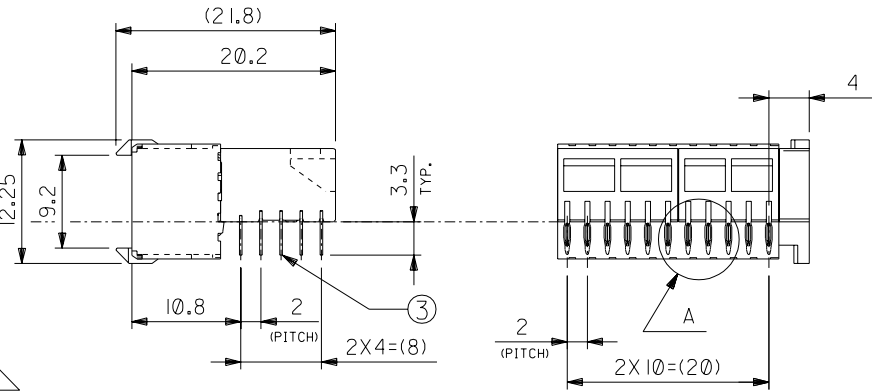
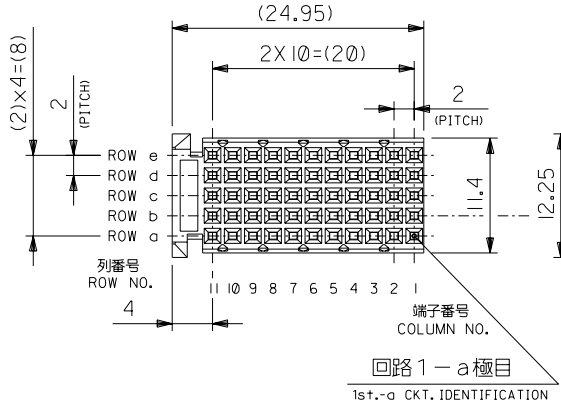
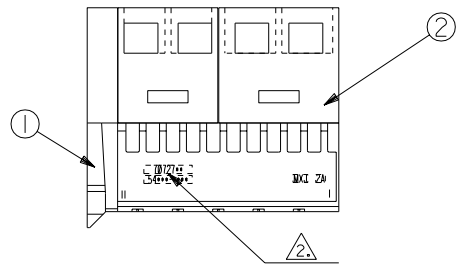


番号 No.	部品 PART NAME	材質 MATERIAL	仕上げ FINISH
①	リセプタクル ハウジング RECEPTACLE HOUSING	液晶ポリマー、ガラス充填、自然色(白)、UL94V-0 LIQUID CRYSTAL POLYMER, GLASS FILLED, NATURAL(WHITE), UL94V-0	—
②	リセプタクル カバー RECEPTACLE COVER	液晶ポリマー、ガラス充填、自然色(白)、UL94V-0 LIQUID CRYSTAL POLYMER, GLASS FILLED, NATURAL(WHITE), UL94V-0	—
③	リセプタクル ターミナル RECEPTACLE TERMINAL	りん青銅 PHOSHOR BRONZE	△1

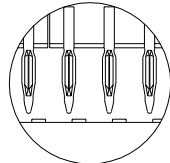


基板穴推奨寸法 (部品実装)  
RECOMMENDED P.C.B. LAYOUT (COMPONENT SIDE)

注記  
NOTES

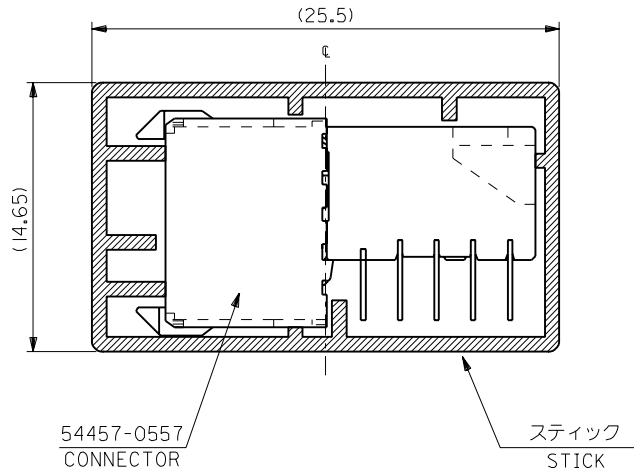
- △1 ターミナルめっき仕様  
TERMINAL PLATING  
金めっき: 0.8 μm MIN. (接点部)  
GOLD: 0.8 μm MIN. (CONTACT AREA)  
半田めっき: 0.5 μm MIN. (プレスフィット部)  
TIN-LEAD: 0.5 μm MIN. (PRESS-FIT AREA)  
ニッケルめっき: 1.3 μm MIN. (下地めっき)  
NICKEL: 1.3 μm MIN. (UNDER PLATING)
- △2 製品番号及びロットナンバー  
MATERIAL NO. & LOT NO.

PRESS-FIT TAIL



DETAIL A  
(SCALE: 4-1)

EC NO. DRWN: CHK: APPR:	EC NO. DRWN: CHK: APPR:	EC NO. DRWN: CHK: APPR:	REVISED EC NO. J2002-2423 DRWN: S. ANDO CHK: A. NODA APPR: A. NODA	RELEASED EC NO. JD2001-0328 DRWN: S. HOSIKAWA CHK: A. NODA APPR: H. IKESUGI	MATERIAL 材料	FINISH 仕上げ	WIRE RANGE 適用線径範囲	INS. RANGE 被覆外径	GENERAL TOLERANCES: (UNLESS SPECIFIED) 一般公差		SCALE 2-1	DESIGN UNITS <input checked="" type="checkbox"/> mm <input type="checkbox"/> INCH	THIRD ANGLE PROJECTION <input checked="" type="checkbox"/> <input type="checkbox"/>	SHT REV	REVISE ON CAD ONLY
									10 UNDER 未満	±0.2	DRAWN BY & DATE <i>S. Ando</i>	TITLE: "M2P" B/B CONN. RECEPTACLE R/A ASS'Y TYPE C W/O PEG			
									10 OVER 以上	30 UNDER 未満	±0.25	CHECKED BY & DATE <i>A. Noda</i>	MOLEX INCORPORATED		
									30 OVER 以上		±0.3	APPROVED BY & DATE <i>H. IKESUGI</i>	MATERIAL NO. SEE TABLE	DRAWING NO. SD-54457-045	SHEET NO. 1 OF 1
			B	A					ANGLE 角度		±3°	CAD FILENAME SD-54457-045.S01	MATERIAL NO. SEE TABLE	DRAWING NO. SD-54457-045	SIZE B



注記  
NOTES

1. スティック両端はテープ止め。  
BOTH ENDS WITH TAPES.
2. 全長：600±2mm  
TOTAL LENGTH：600±2mm
3. 肉厚：0.8±0.2mm  
THICKNESS：0.8±0.2mm

DO NOT SCALE DRAWING

④NO. DRWN: CHK: APPR:	③NO. DRWN: CHK: APPR:	②NO. DRWN: CHK: APPR:	REVISED ④NO. JD2001-0854 DRWN: Y. HASEGAWA '00/02/19 CHK: ANODA APPR: H. KESUGI	RELEASED ④NO. JD2001-0328 DRWN: S. HOSHIKAWA '00/05/31 CHK: ANODA APPR: H. KESUGI	MATERIAL 材料 スティック：ポリ塩化ビニル STICK：P.V.C.
④NO. DRWN: CHK: APPR:	③NO. DRWN: CHK: APPR:	②NO. DRWN: CHK: APPR:	REVISED ④NO. JD2001-0854 DRWN: Y. HASEGAWA '00/02/19 CHK: ANODA APPR: H. KESUGI	RELEASED ④NO. JD2001-0328 DRWN: S. HOSHIKAWA '00/05/31 CHK: ANODA APPR: H. KESUGI	FINISH 仕上げ #
④NO. DRWN: CHK: APPR:	③NO. DRWN: CHK: APPR:	②NO. DRWN: CHK: APPR:	REVISED ④NO. JD2001-0854 DRWN: Y. HASEGAWA '00/02/19 CHK: ANODA APPR: H. KESUGI	RELEASED ④NO. JD2001-0328 DRWN: S. HOSHIKAWA '00/05/31 CHK: ANODA APPR: H. KESUGI	WIRE RANGE 適用線径範囲 #
④NO. DRWN: CHK: APPR:	③NO. DRWN: CHK: APPR:	②NO. DRWN: CHK: APPR:	REVISED ④NO. JD2001-0854 DRWN: Y. HASEGAWA '00/02/19 CHK: ANODA APPR: H. KESUGI	RELEASED ④NO. JD2001-0328 DRWN: S. HOSHIKAWA '00/05/31 CHK: ANODA APPR: H. KESUGI	INS. RANGE 被覆外径 #

MODEL NO.: 54457-0555	DIMENSIONS: <input type="checkbox"/> mm <input type="checkbox"/> INCH <input checked="" type="checkbox"/> mm ONLY	SHT 23	REV 55
23 梱包数 QUANTITY	54457-0555 MATERIAL NO.	55 種数 PIN	
SCALE 4-1	DESIGN UNITS <input checked="" type="checkbox"/> mm <input type="checkbox"/> INCH	2D/3D ANGLE PROJECTION	2D/3D ANGLE PROJECTION
10 UNDER 未滿 +0.2	DRAWN BY & DATE [Signature]	TITLE: "MZP" B/B CONNECTOR 54457-0557 STICK PACKAGING	
10 OVER 以上 30 UNDER 未滿 +0.25	CHECKED BY & DATE [Signature]	MOLEX INCORPORATED	
30 OVER 以上 +0.3	APPROVED BY & DATE [Signature]	CAD FILE NAME SD-54457-046.S01	SHEET NO. 1 OF 1
ANGLE 角度 +3°	MATERIAL NO. SEE CHART	DRAWING NO. SD-54457-046	SIZE B
THIS DRAWING CONTAINS INFORMATION THAT IS PROPRIETARY TO MOLEX INCORPORATED AND SHOULD NOT BE USED WITHOUT WRITTEN PERMISSION.			

SD-54457-046.S01